

32 COVER AND TABLE

PARTS

FIGURE	CONTENTS	PAGE
1	Printer Covers	2
2	Punch Cover and Base	3
3	Reader Cover and Base	4
4	Faceplates	5
5	Cover and Tape Storage Bin	6
6	Cabinet	7
7	Lid and Copyholder	8
8	183976 Adjustable Copyholder Assembly	9
9	182134 Reader Power Pack Assembly	10
10	181720 Power Pack Assembly	10
11	184074 Outlet Box Assembly	11
12	183859 Modification Kit to Provide Paper Supply and Accumulating Shelf	12
13	186226 Modification Kit to Provide Mobility for Cabinet	13
	Numerical Index	14

NOTE: Painted part color,
HF - Smooth Vinyl Light Olive Gray

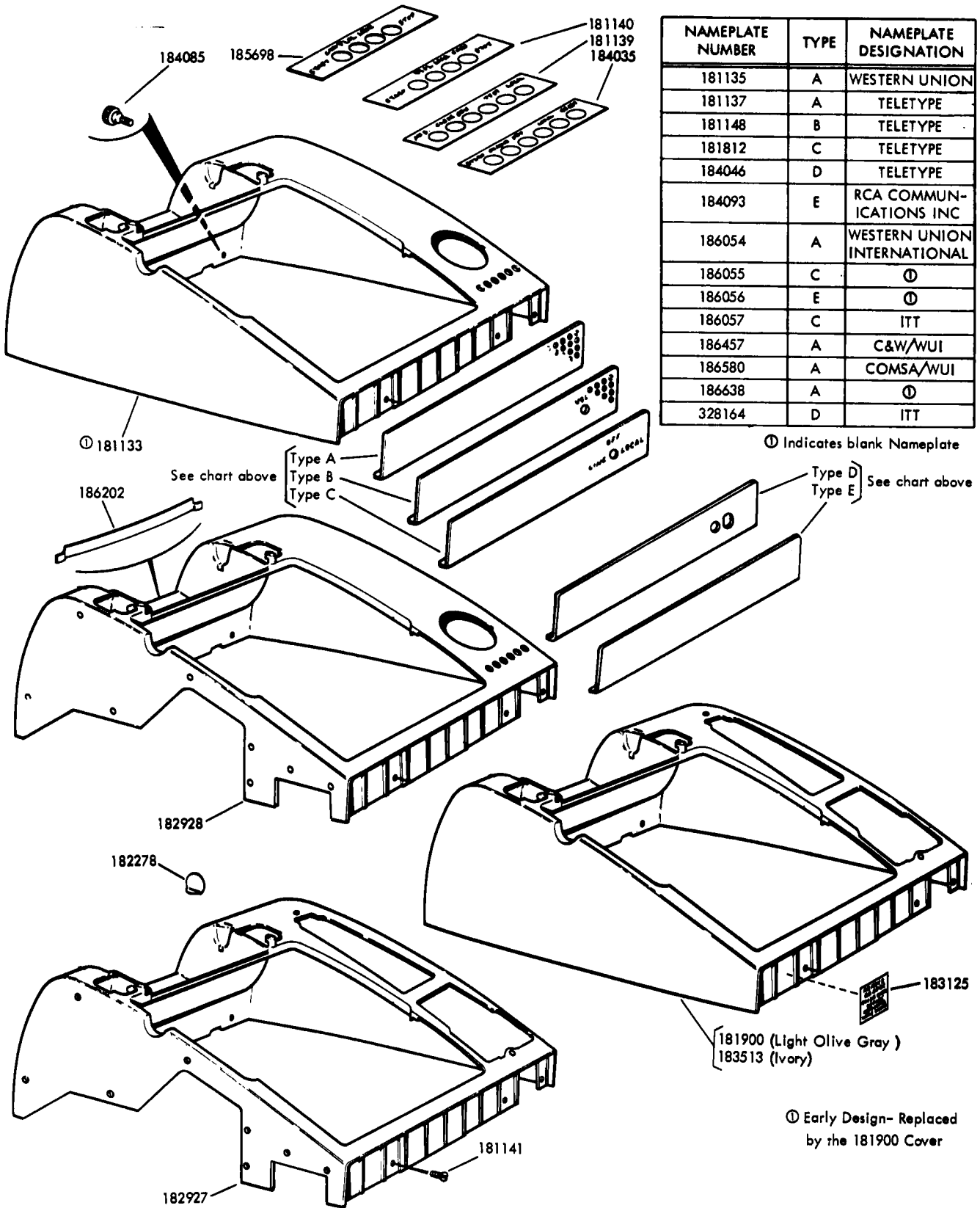
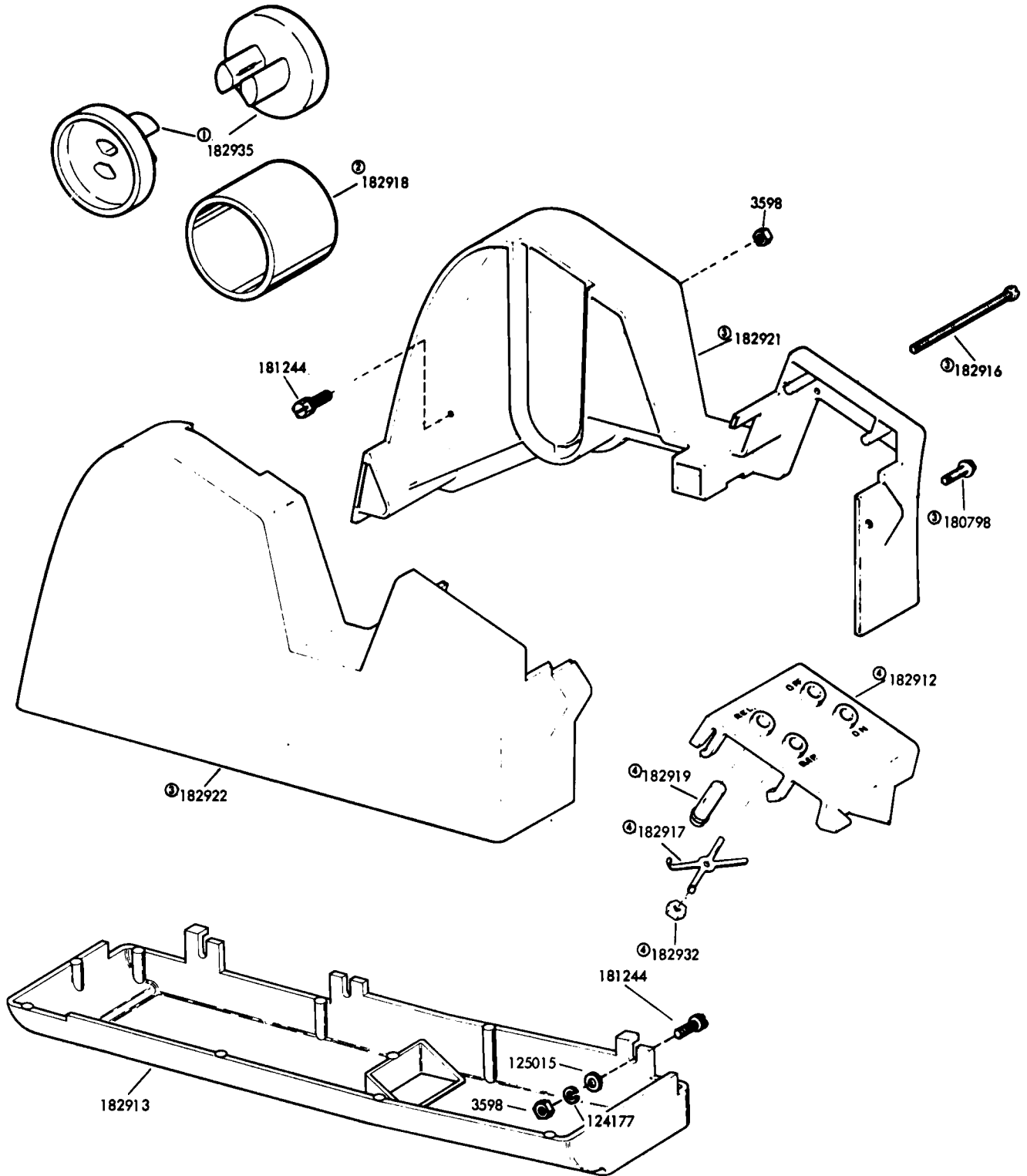
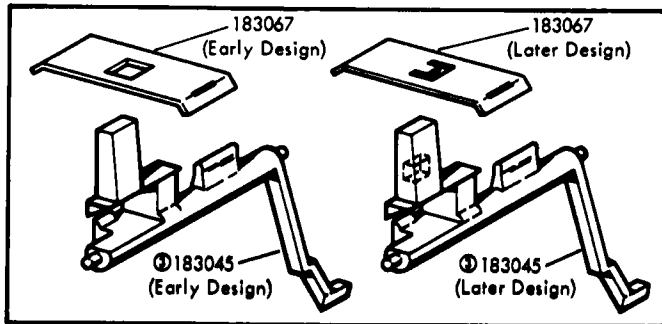
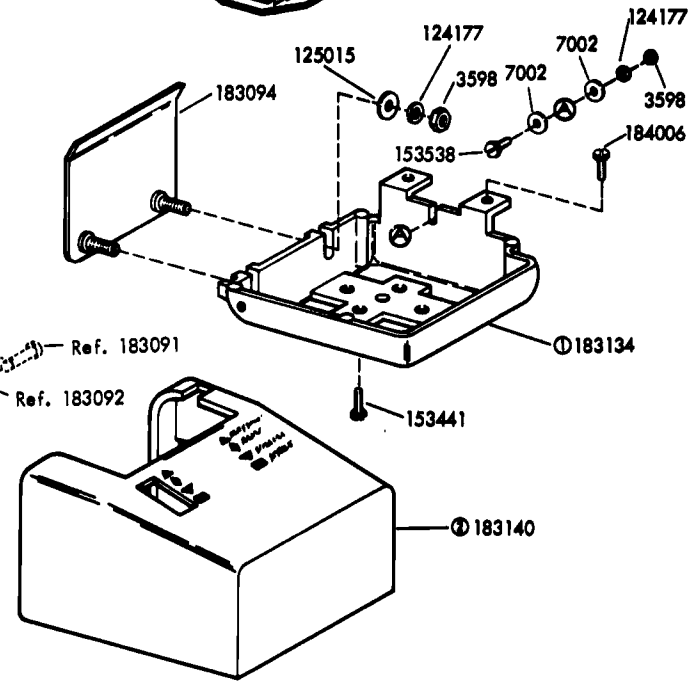
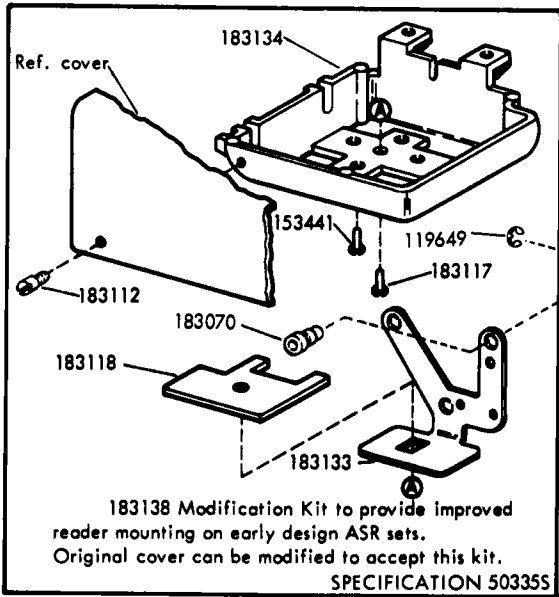
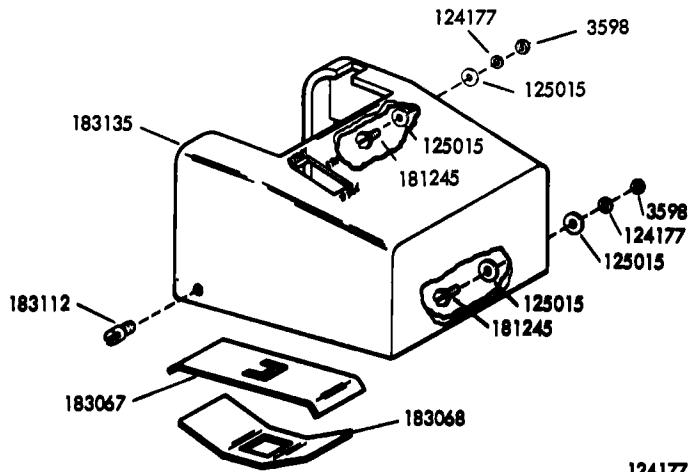
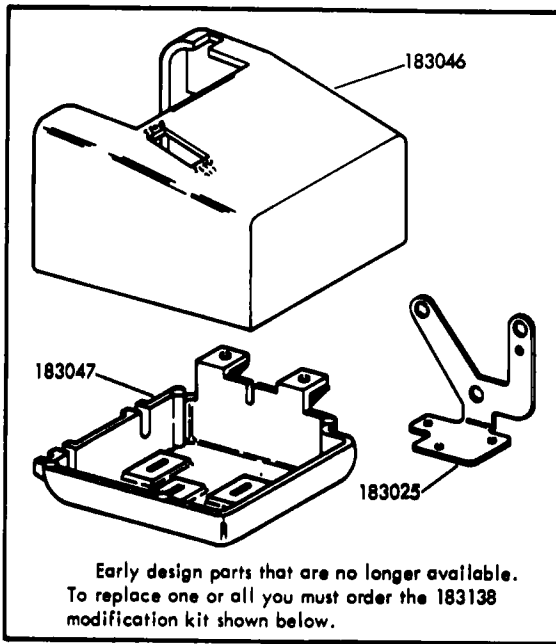


FIGURE 1. PRINTER COVERS



- ① Use with 1" Tape Core, 11/16" Tape
- ② Use with 2" Tape Core, 11/16", 7/8", or 1" Tape
- ③ Part of 182926
- ④ Part of 182109 (For manual On-Off control)

FIGURE 2. PUNCH COVER AND BASE



① A new 185700 laminated sheet steel base has been designed to replace the three individual castings mounting the typing unit with motor, keyboard and associated call control unit, the perforator, and the reader. However, the 183134 base (shown on this figure) is still available for replacement purposes

② Automatic reader control cover
 ③ The 183067 shield and the 183045 start & stop lever have been redesigned but retain their original numbers. The new style lever can be used with the old style shield but the new style shield must be used with the new style lever

FIGURE 3. READER COVER AND BASE

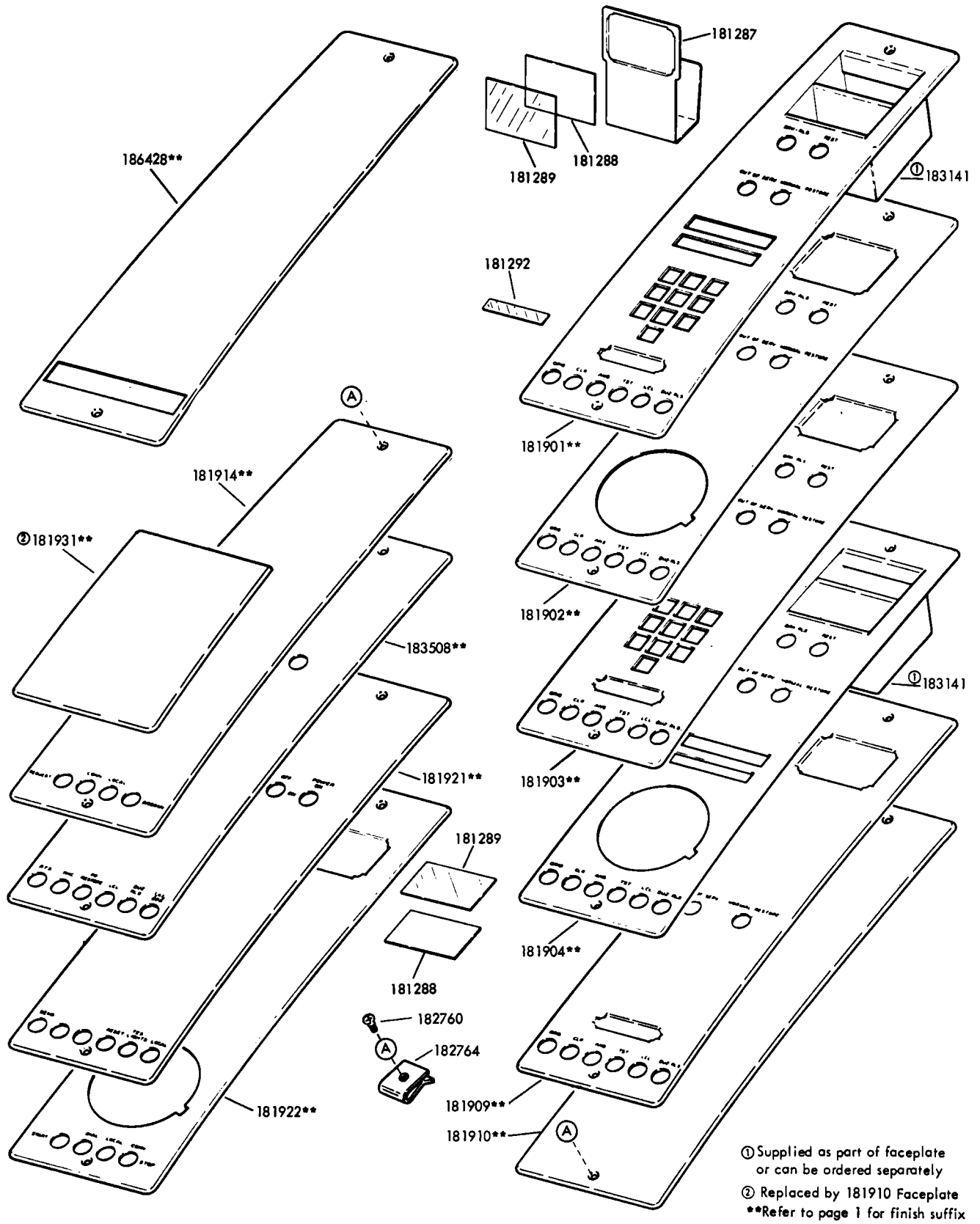


FIGURE 4. FACEPLATES

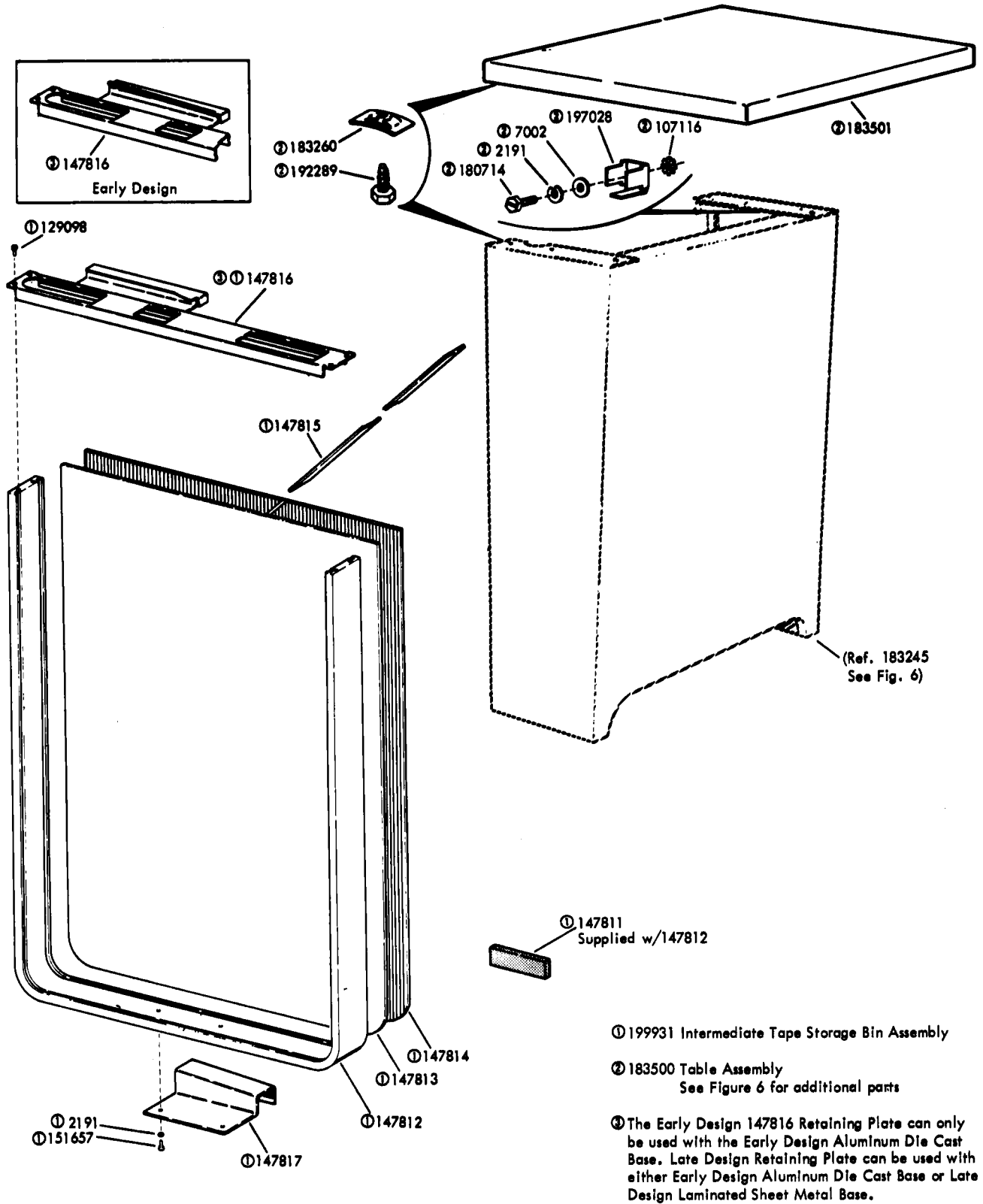
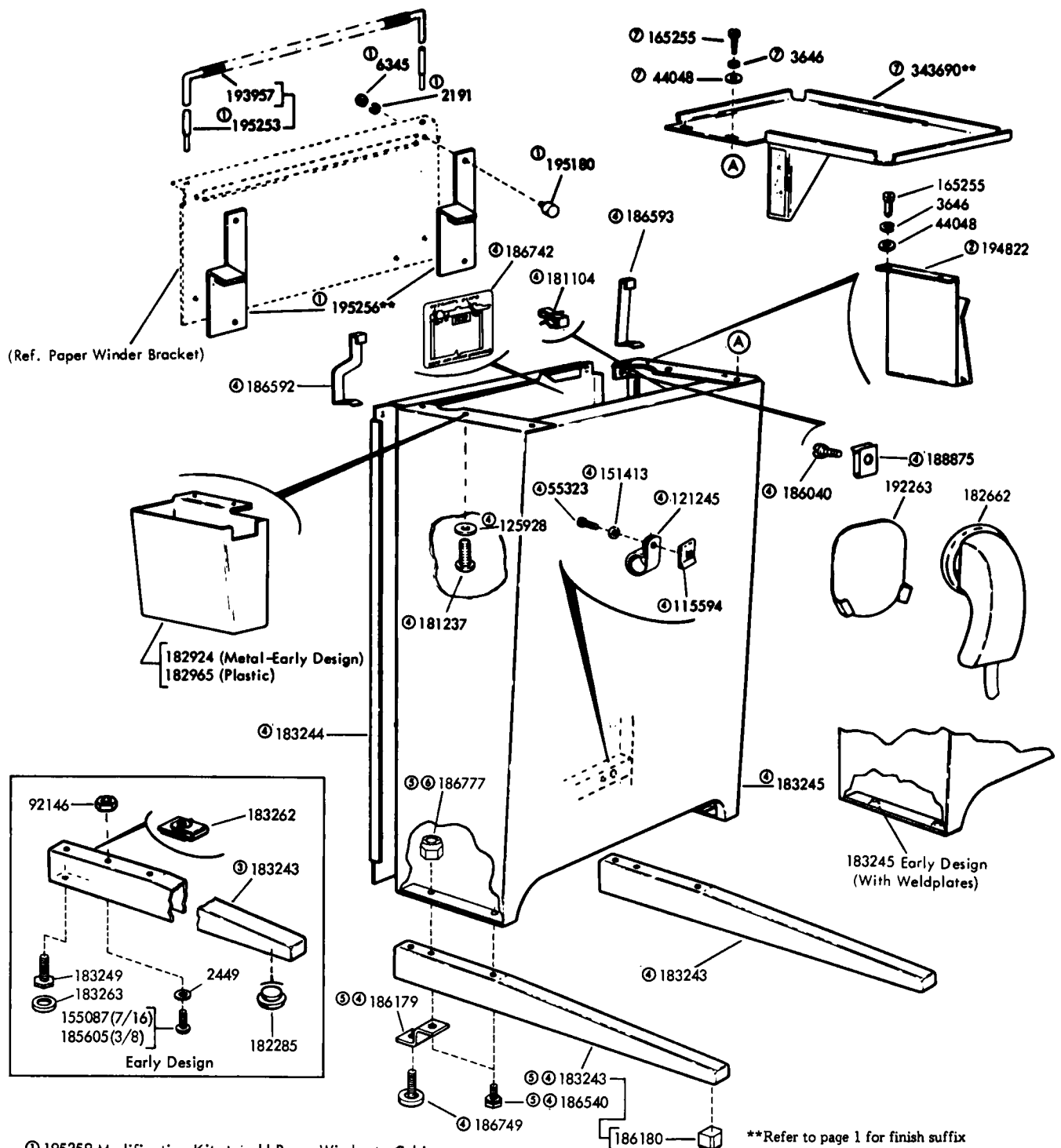
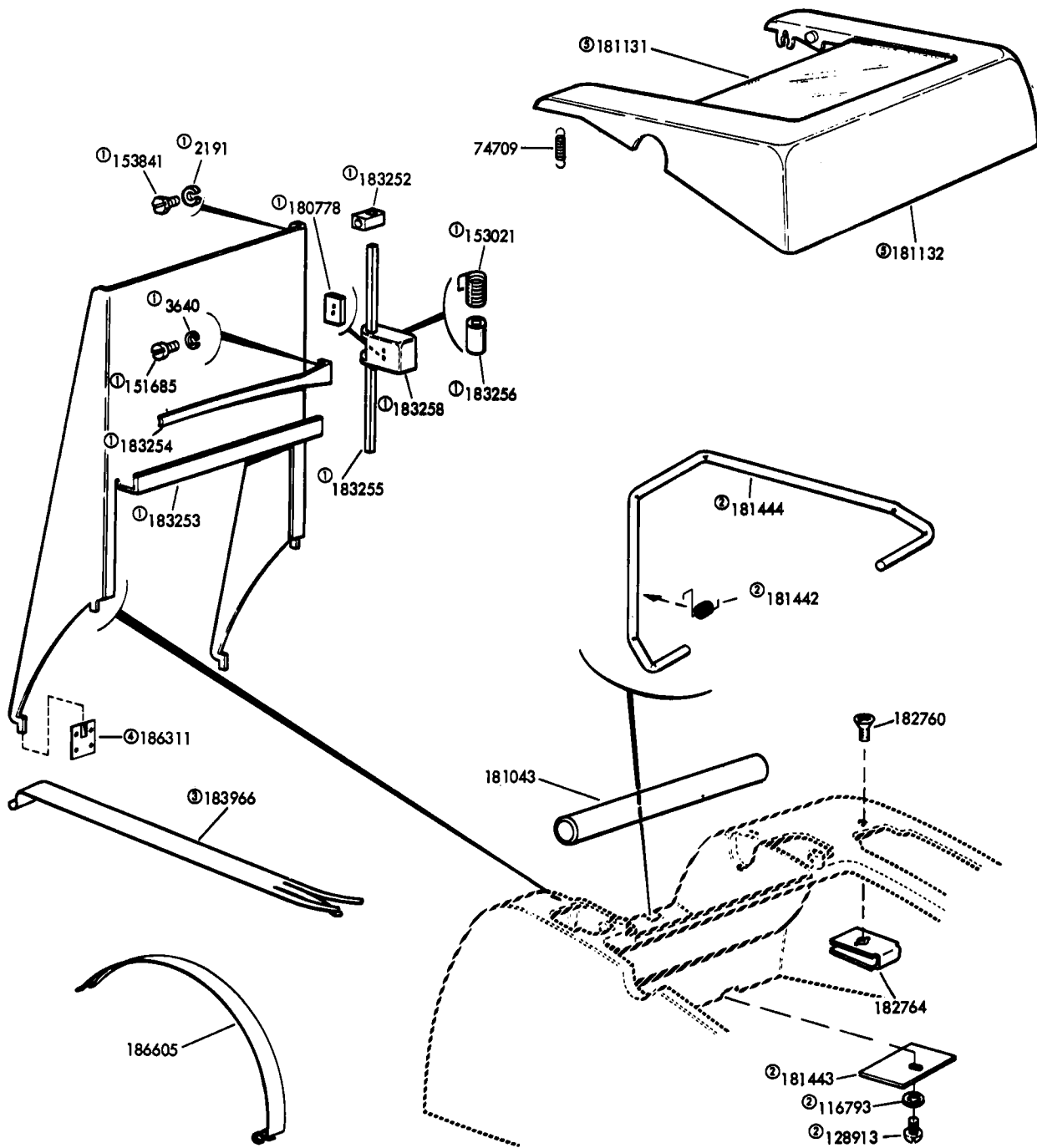


FIGURE 5. COVER AND TAPE STORAGE BIN



- ① 195259 Modification Kit to add Paper Winder to Cabinet
- ② The 194822 Directory Holder has been changed by including two 6 inch strips of double sided adhesive backed tape, eliminating the need for mounting hardware.
- ③ The Early Design 183243 Foot w/Brackets is no longer available. When replacing an Early Design Foot w/Brackets, Order the 186203 S.O.P.
- ④ 183500 Table Assembly, see Figure 5 for additional parts.
- ⑤ 186203 S.O.P. to Provide Replacement Foot w/Bumper
- ⑥ The 186777 self-locking nut cannot be used on Early Design 183245 lower cabinets (With Weldplates)
- ⑦ 343691** Modification Kit to Provide a Shelf Assembly

FIGURE 6. CABINET



- ① 182036 Copyholder Assembly
- ② Used with Sets having Low Paper Alarm
- ③ No longer available. Order 186605 Paper Deflector
- ④ 186312 SOP to Provide Cover Repair Bracket for Copyholder

⑤ The 181131 Lid Window has been redesigned by adding nine holes to enable heat staking to the Lid rather than cementing as on the Early Design. Early and Late Design Lids w/Window are interchangeable. If however, a Late Design Lid w/Window needs a replacement Window, a 181132 Lid w/Window must be ordered.

FIGURE 7. LID AND COPYHOLDER

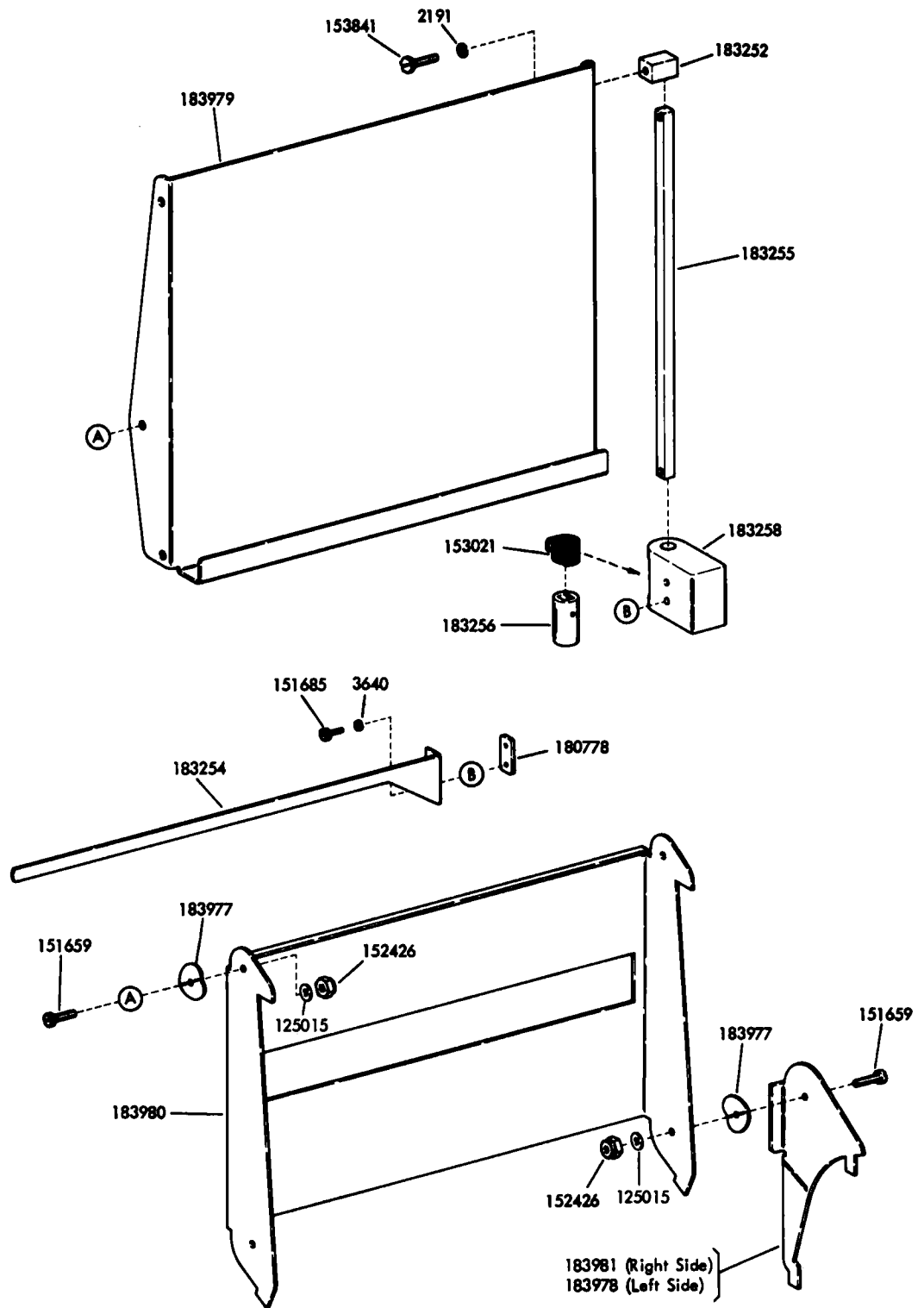


FIGURE 8. 183976 ADJUSTABLE COPYHOLDER ASSEMBLY

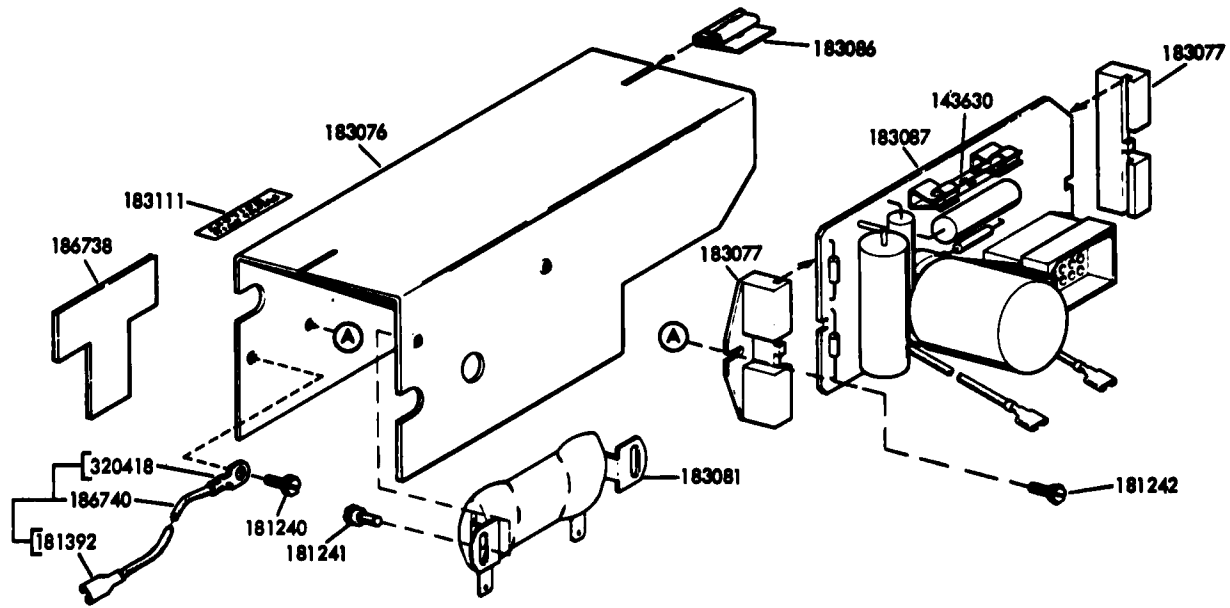


FIGURE 9. 182134 READER POWER PACK ASSEMBLY

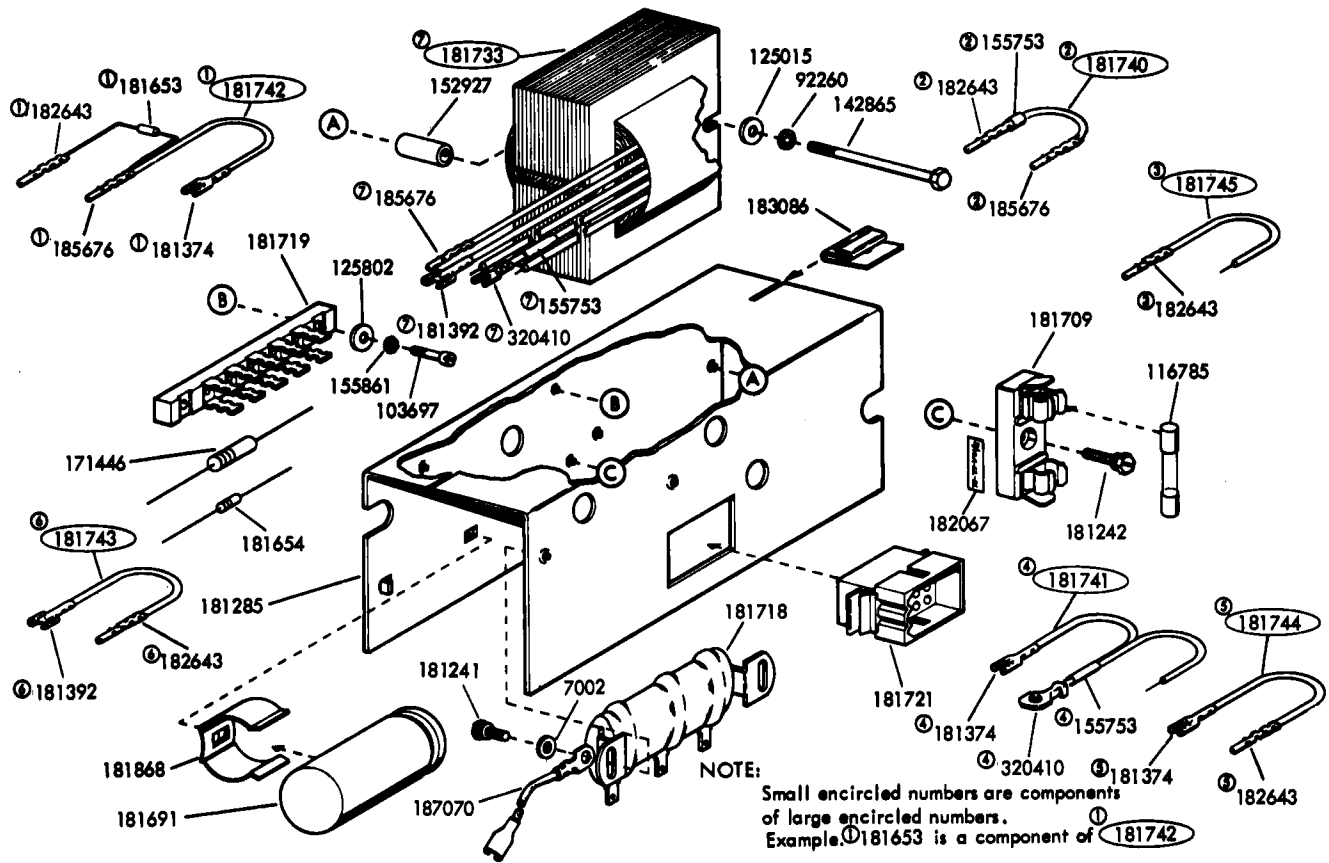
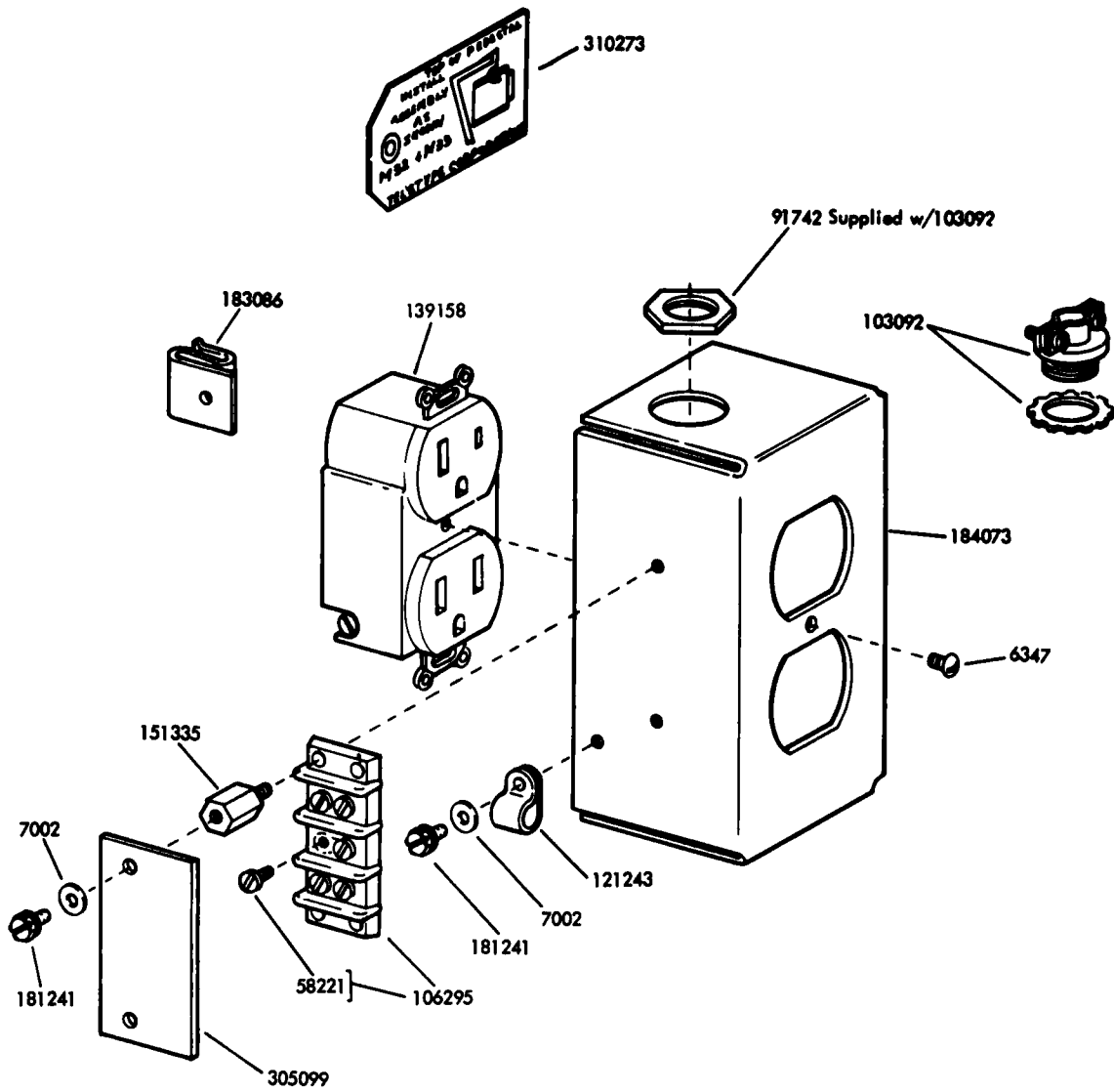
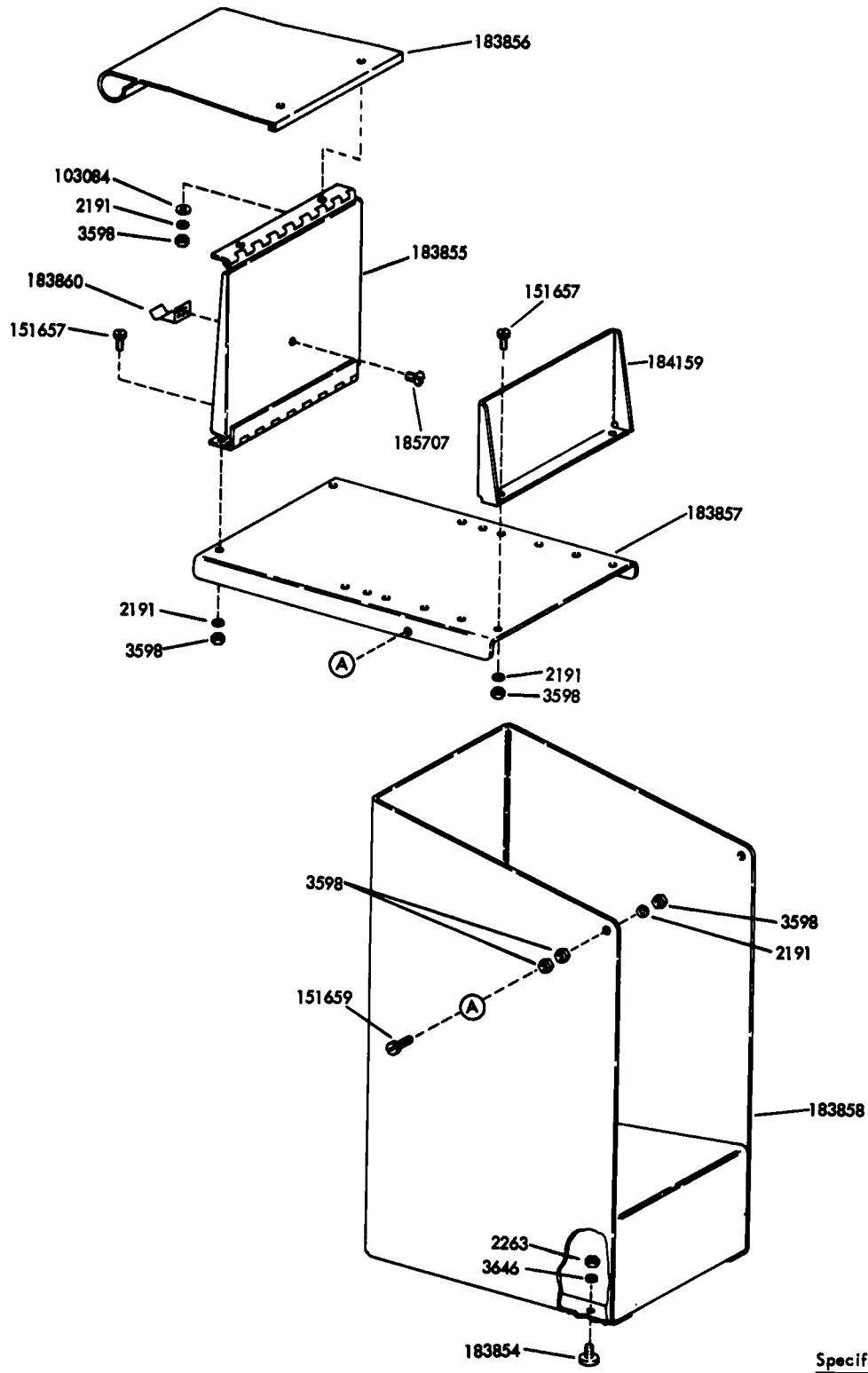


FIGURE 10. 181720 POWER PACK ASSEMBLY



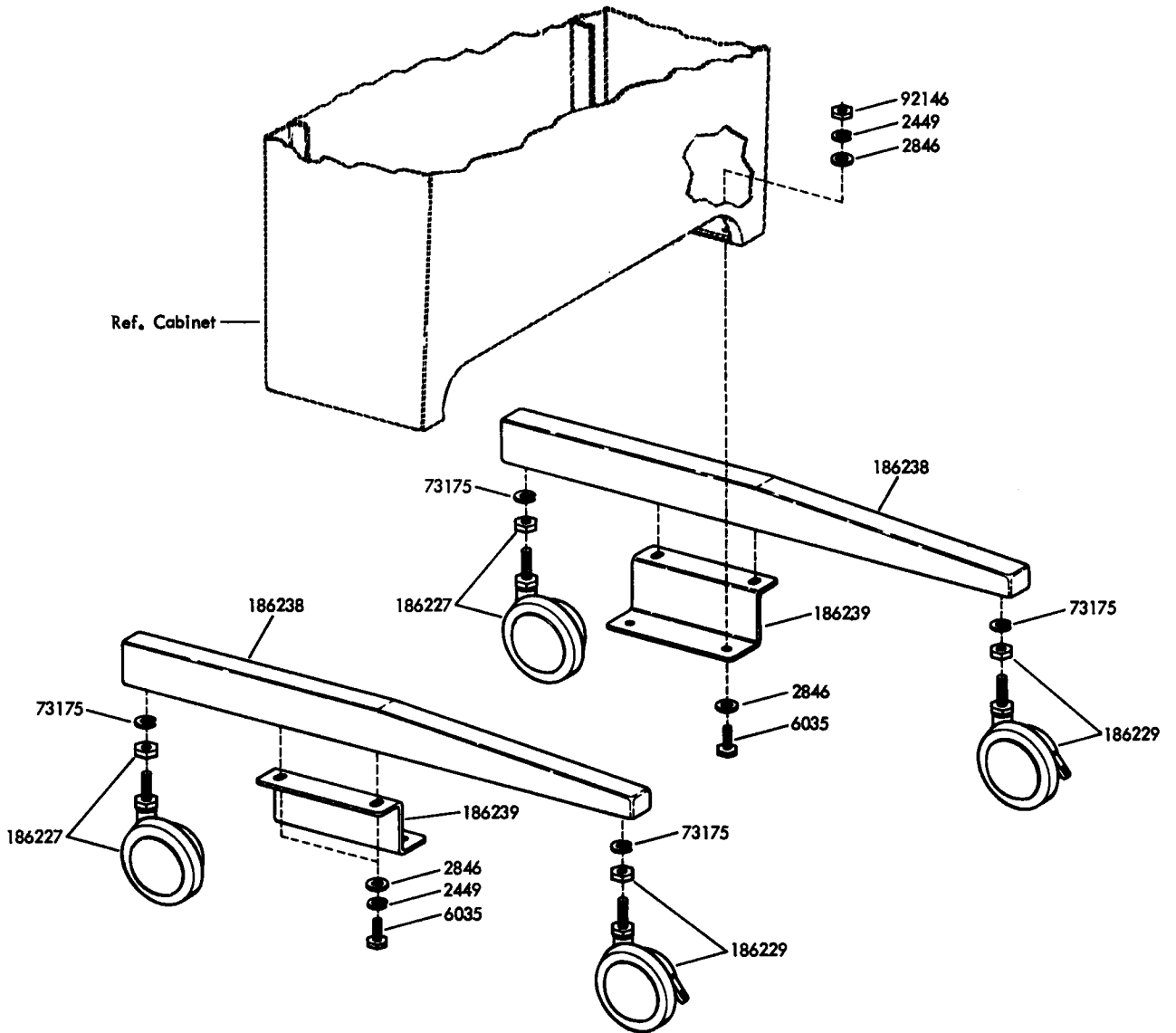
Note:
The 184074 includes the
182510 power cord

FIGURE 11. 184074 OUTLET BOX ASSEMBLY



Specification 504335

FIGURE 12. 183859 MODIFICATION KIT TO PROVIDE PAPER SUPPLY AND ACCUMULATING SHELF



Specification 50626S

FIGURE 13. 186226 MODIFICATION KIT TO PROVIDE MOBILITY FOR CABINET

NUMERICAL INDEX

Part Number	Description and Page Number	Part Number	Description and Page Number	Part Number	Description and Page Number
2191	Lockwasher 6 to 9,12	147817	Guide, Tape Bin 6	181245	Screw w/Lockwasher, 6-40 x 1/2 Hex 4
2263	Nut, 8-32 Hex 12	151335	Stud 11	181285	Cover, Mounting 10
2449	Lockwasher 7,13	151413	Washer, Flat 7	181287	Holder, Card 5
2846	Washer, Flat 13	151657	Screw, 6-40 x 1/4 Fil 6,12	181288	Label, White 5
3598	Nut, 6-40 Hex 3,4,12	151659	Screw, 6-40 x 1/2 Fil 9,12	181289	Window, Plastic 5
3640	Lockwasher 8,9	151685	Screw, 4-40 x 5/16 Fil 8,9	181292	Window, Plastic 5
3646	Lockwasher 7,12	152426	Nut, 6-40 Self-Locking 9	181374	Terminal, Tab Type 10
6035	Screw, 1/4-20 x 5/8 Hex 13	152927	Bushing 10	181392	Terminal, Tab Type 10
6345	Nut, 6-32 Hex 7	153021	Spring, Torsion 8,9	181442	Spring, Torsion 8
6347	Screw, 6-32 x 3/8 Rd 11	153441	Screw, 10-32 x 7/16 Hex 4	181443	Plate, Clamp 8
7002	Washer, Flat 4,6,10,11	153538	Screw, 6-40 x 7/16 Hex 4	181444	Rod, Sensing 8
44048	Washer, Flat 7	153841	Screw, 6-40 x 9/16 Hex 8,9	181653	Diode 10
55323	Screw, 8-32 x 1/2 Rd 7	155087	Screw, 1/4-20 x 7/16 Rd 7	181654	Diode 10
58221	Screw, 6-32 x 1/4 Fil 11	155753	Sleeve, 1/8 ID x 1/2" Lg Insulating 10	181691	Capacitor, 150 MFD 10
73175	Lockwasher 13	155861	Lockwasher 10	181709	Holder, Fuse 10
74709	Spring 8	165255	Screw, No. 8 Spl 7	181718	Resistor, 2,000 - 10,000 Ohms 10
91742	Locknut 11	171446	Resistor, 120 Ohm 10	181719	Strip, Terminal 10
92146	Nut, 1/4-20 Hex 7,13	180714	Screw, No. 6 Self-Tapping 6	181720	Power Supply 1,10
92260	Lockwasher 10	180778	Plate 8,9	181721	Connector, 12 Pt Plug Type 10
103084	Washer, Flat 12	180798	Screw, 8-32 Self-Tapping 3	181733	Transformer 10
103092	Connector, Cord 11	181043	Spindle, Paper Roll 8	181740	Cable Assembly 10
103697	Screw, 4-40 x 7/16 Fil 10	181104	Clip, Cable 7	181741	Cable Assembly 10
106295	Block, Terminal 11	181131	Window, Lid 8	181742	Cable Assembly 10
107116	Lockwasher 6	181132	Lid w/Window 8	181743	Cable Assembly 10
115594	Nut, Speed 7	181133	Cover 2	181744	Cable Assembly 10
116785	Fuse, .3 Amp 10	181135	Nameplate 2	181745	Cable Assembly 10
116793	Lockwasher 8	181137	Nameplate 2	181812	Nameplate 2
119649	Ring, Retaining 4	181139	Label, Designation (Bell) 2	181868	Clip, Speed 10
121243	Clamp, 3/16" ID Cable 7	181140	Label, Designation (W.U.) 2	181900	Cover 2
121245	Clamp, 5/16" ID Cable 7	181141	Screw, 8-32 Spl 2	181901**	Faceplate 5
124177	Lockwasher 3,4	181148	Nameplate 2	181902**	Faceplate 5
125015	Washer, Flat 3,4,9,10	181237	Screw, 1/4-14 Self-Tapping 7	181903**	Faceplate 5
125802	Washer, Flat 10	181240	Screw w/Lockwasher, 6-40 x 3/16 Hex 10	181904**	Faceplate 5
125928	Washer, Flat 7	181241	Screw w/Lockwasher, 6-40 x 1/4 Hex 10,11	181909**	Faceplate 5
128913	Screw, 8-32 Self-Tapping 8	181242	Screw w/Lockwasher, 6-40 x 5/16 Hex 10	181910**	Faceplate 5
129098	Screw, 6-40 x 11/32 Flat 6	181244	Screw w/Lockwasher, 6-40 x 7/16 Hex 3	181914**	Faceplate 5
139158	Connector, Duplex Receptacle 11			181921**	Faceplate 5
142865	Screw, 6-40 x 2-1/32 Hex 10			181922**	Faceplate 5
143630	Fuse, .75 Amp 10			181931**	Faceplate 5
147811	Spacer, .250" Thk 6			182036	Copyholder Assembly 8
147812	Frame, Tape Bin 6			182067	Nameplate 10
147813	Window, Left Side 6			182109	Lid Assembly 3
147814	Window, Right Side 6			182134	Power Pack 1,10
147815	Divider, Tape Bin 6			182278	Support 2
147816	Plate, Retaining 6			182285	Bumper, Rubber 7
				182510	Cord, Power 11
				182643	Terminal, Plug Type 10

**Refer to page 1 for finish suffix

NUMERICAL INDEX (Continued)

Part Number	Description and Page Number	Part Number	Description and Page Number	Part Number	Description and Page Number
182662	Receiver 7	183244	Panel 7	186055	Nameplate 2
182760	Screw, 6-32 Spl 5,8	183245	Cabinet, Lower 6,7	186056	Nameplate 2
182764	Nut, Speed 5,8	183249	Screw, 5/16-18 Spl 7	186057	Nameplate 2
182912	Lid 3	183252	Post 8,9	186179	Bracket 7
182913	Base, Cover 3	183253	Copyholder 8	186180	Bumper, Rubber 7
182916	Screw, 8-32 x 2-9/16 Hex 3	183254	Guide, Line 8,9	186202	Shield 2
182917	Spring, Special 3	183255	Shaft 8,9	186203	Set of Parts 7
182918	Spindle 3	183256	Bushing 8,9	186226	Modification Kit 1,13
182919	Button 3	183258	Handle, Copyholder 8,9	186227	Caster 13
182921	Cover, Right 3	183260	Nut, Speed 6	186229	Caster w/Brake 13
182922	Cover, Left 3	183262	Retainer, Nut 7	186238	Foot 13
182924	Box, Chad 7	183263	Cap, Light Gray 7	186239	Bracket 13
182926	Cover Assembly 3	183500	Table Assembly 6,7	186311	Bracket 8
182927	Cover 2	183501	Cover, Stand 6	186312	Set of Parts 8
182928	Cover 2	183508**	Faceplate 5	186428**	Faceplate 5
182932	Nut, Speed 3	183513	Cover 2	186457	Plate 2
182935	Hub 3	183854	Foot 12	186540	Screw, 1/4-20 x 1/2 Spl 7
182965	Box, Chad 7	183855	Plate w/Hinges 12	186580	Plate 2
183025	Bracket 4	183856	Guide, Paper 12	186592	Clip 7
183045	Lever, Start-Stop 4	183857	Shelf, Paper 12	186593	Clip 7
183046	Cover 4	183858	Bin, Paper Supply 12	186605	Deflector, Paper 8
183047	Base 4	183859	Modification Kit 1,12	186638	Nameplate 2
183067	Shield 4	183860	Clip, Spring 12	186738	Insulator 10
183068	Spring, Shield 4	183966	Deflector, Paper 8	186740	Jumper, 6" Green 10
183070	Grommet, Rubber 4	183976	Copyholder Assembly 1,9	186742	Label 7
183076	Bracket, Rectifier 10	183977	Washer, Spring 9	186749	Bolt w/Cap 7
183077	Clamp, Circuit Card 10	183978	Bracket, Left 9	187070	Jumper, 12" Green 10
183081	Resistor, 850 Ohm 10	183979	Copyholder 9	192263	Holder, Handset 7
183086	Clip 10,11	183980	Link 9	192289	Screw, 1/4-14 Self-Tapping 6
183087	Card, Circuit 10	183981	Bracket, Right 9	193957	Spring, Roller 7
183091	Post 4	184006	Screw, 8-32 Self-Tapping 4	194822	Holder, Directory 7
183092	Cup 4	184035	Label, Designation 2	195180	Bumper, Rubber 7
183094	Plate w/Studs 4	184046	Nameplate 2	195253	Rack Assembly, Display 7
183111	Label 10	184073	Bracket, Outlet 11	195256**	Hanger 7
183112	Screw, 4-40 x 9/64 Fil 4	184074	Box Assembly, Outlet 1,11	195259	Modification Kit 7
183117	Screw, 10-32 x 5/8 Hex 4	184085	Screw, 8-32 Thumb 2	197028	Terminal 6
183118	Plate, Clamp 4	184093	Nameplate 2	199931	Bin Assembly, Tape Storage 6
183125	Label 2	184159	Bracket, Back Stop 12	305099	Cover, Insulating 11
183133	Bracket 4	185605	Screw, 1/4-14 Self-Tapping 7	310273	Tag, Instruction 11
183134	Base 4	185676	Terminal, Plug Type 10	320410	Terminal, Spade Type 10
183135	Cover 4	185698	Label, Designation 2	320418	Terminal, Ring Type 10
183138	Modification Kit 4	185700	Base 4	328164	Plate 2
183140	Cover 4	185707	Screw, 10-24 x 5/16 Rd 12	343690**	Shelf 7
183141	Holder, Card 5	186054	Nameplate 2	343691**	Modification Kit 7
183243	Foot w/Brackets 7				

**Refer to page 1 for finish suffix

