

32 CALL CONTROL UNIT (UCC)

PARTS

FIGURE	CONTENTS	PAGE
1	Base Plate Components - for use with Rotary Dial	2
2	Base Plate Components - for use with Touch Tone or Card Dialing	3
3	Electrical Components - for use with Rotary Dial	4
4	Electrical Components - for use with Rotary Dial (Continued)	5
5	Base Plate and Electrical Components - for DC Signal Private Line	6
6	Electrical Components - for Computer Control Private Line	7
7	Base Plate Components - for the Basic Set	8
8	Base Plate Components - for the Basic Set (Continued)	9
9	Base Plate Components - for use with Selective Calling	10
10	Base Plate Components - for use with Selective Calling (Continued)	11
11	Selector Magnet Driver and Electrical Components	12
12	181815 and 184048 Selective Magnet Drivers	13
13	Alarms and Speakers	14
14	182087 Polar Adapter Assembly	15
15	182087 and 186233 Polar Adapter Assemblies	16
16	Dial Modifications	17
17	Key Assemblies	18
18	Power Cords and Jumpers	19
19	Cable Components	20
	Numerical Index	21

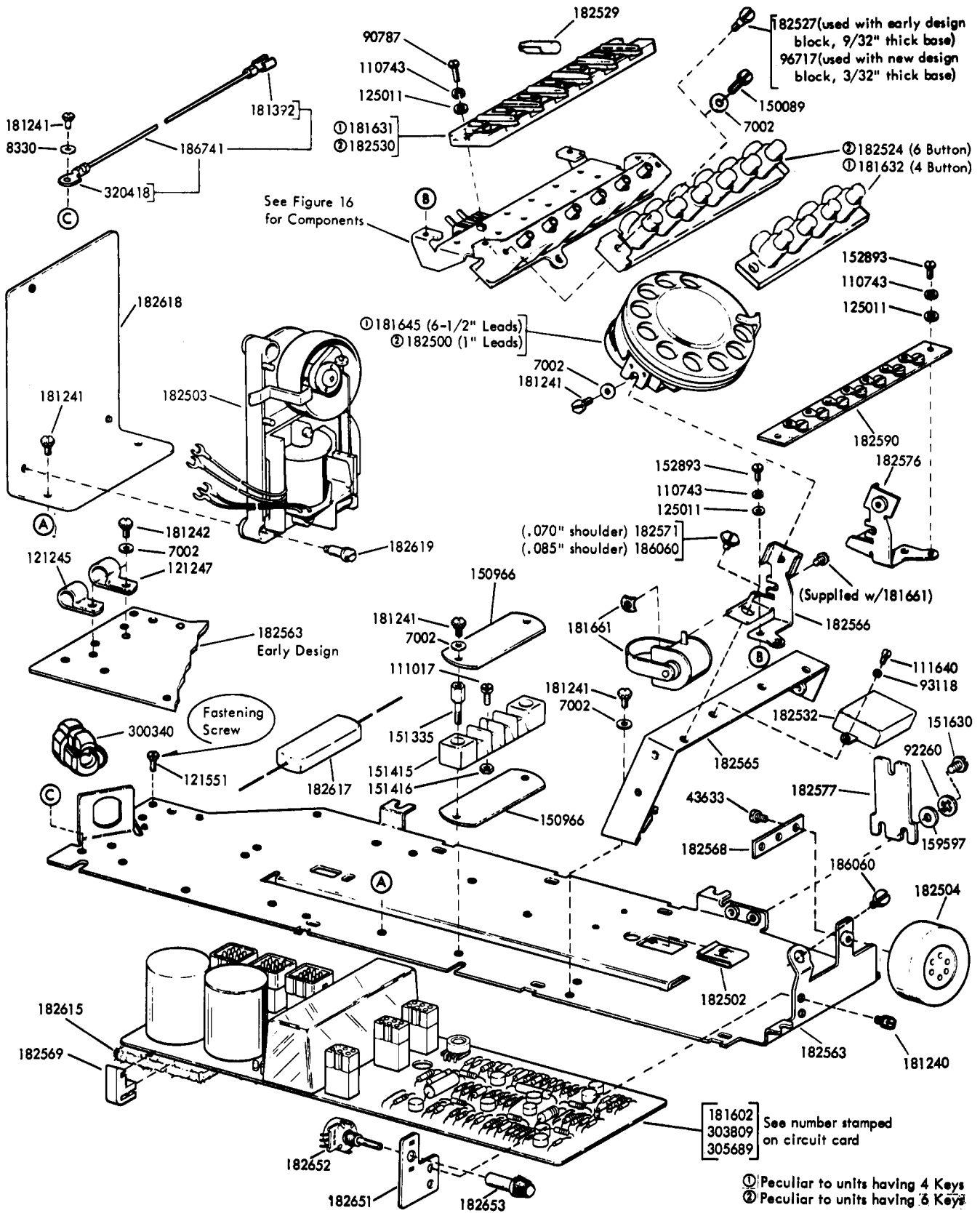


FIGURE 1. BASE PLATE COMPONENTS-FOR USE WITH ROTARY DIAL

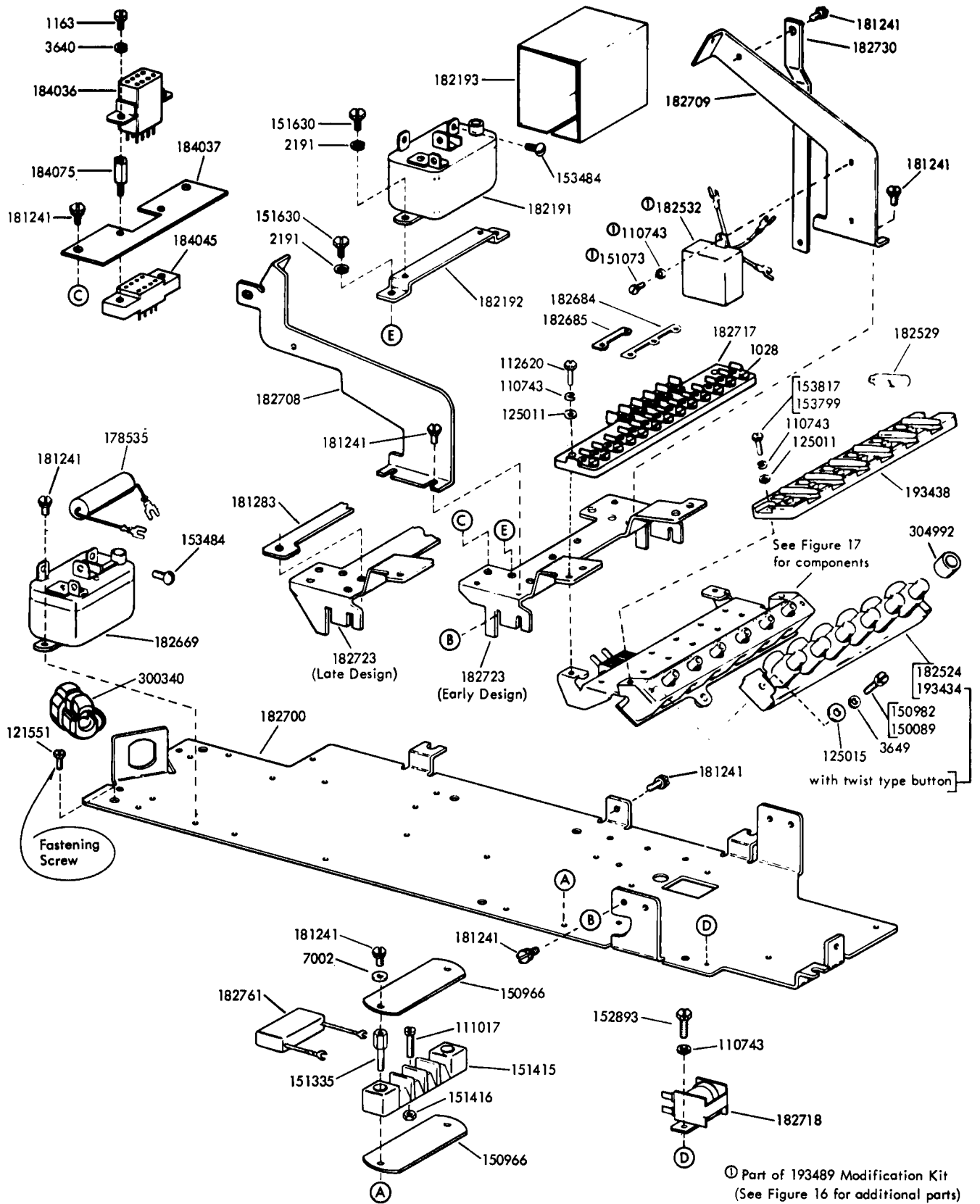


FIGURE 2. BASE PLATE COMPONENTS-FOR USE WITH TOUCH TONE OR CARD DIALING

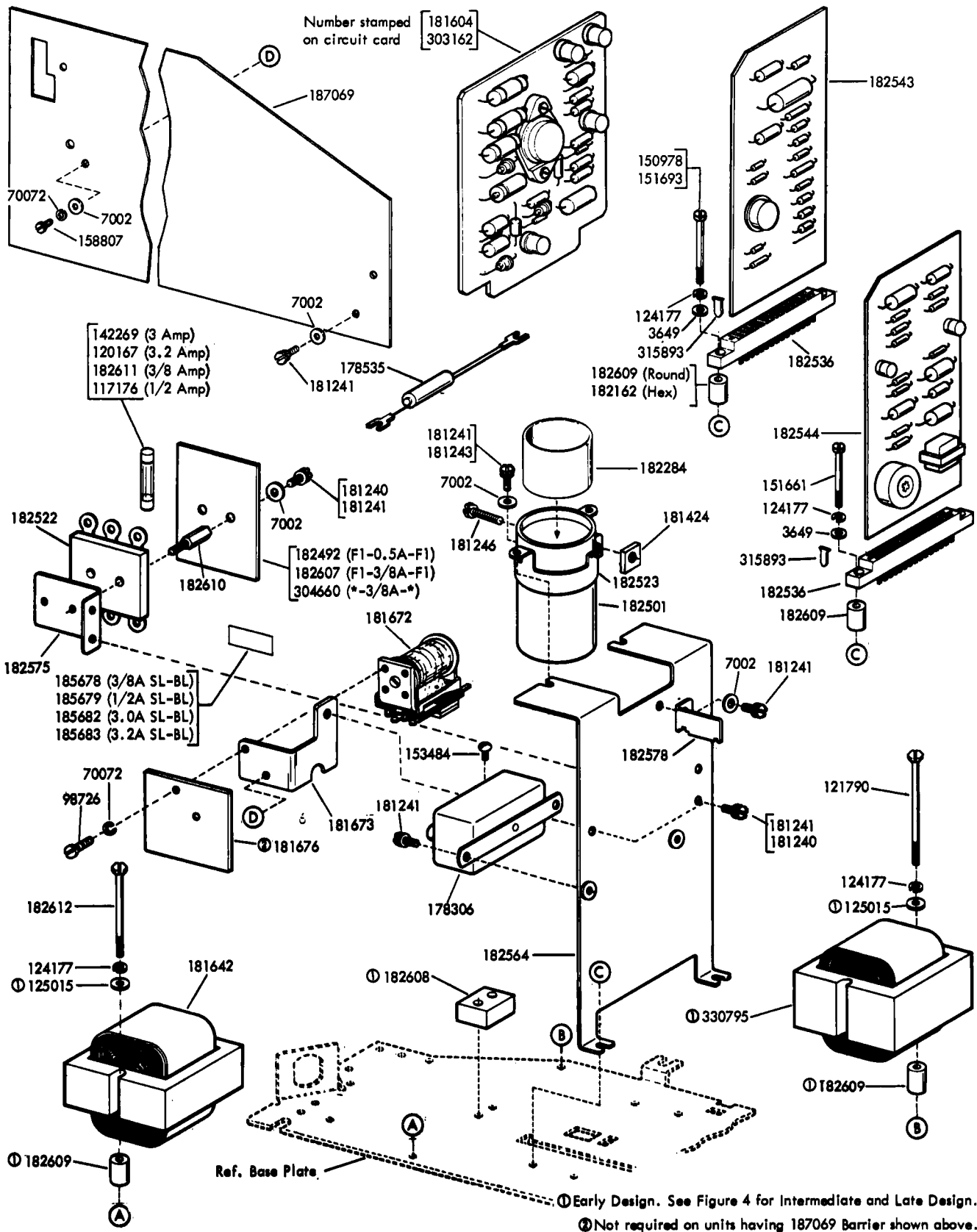


FIGURE 3. ELECTRICAL COMPONENTS - FOR USE WITH ROTARY DIAL

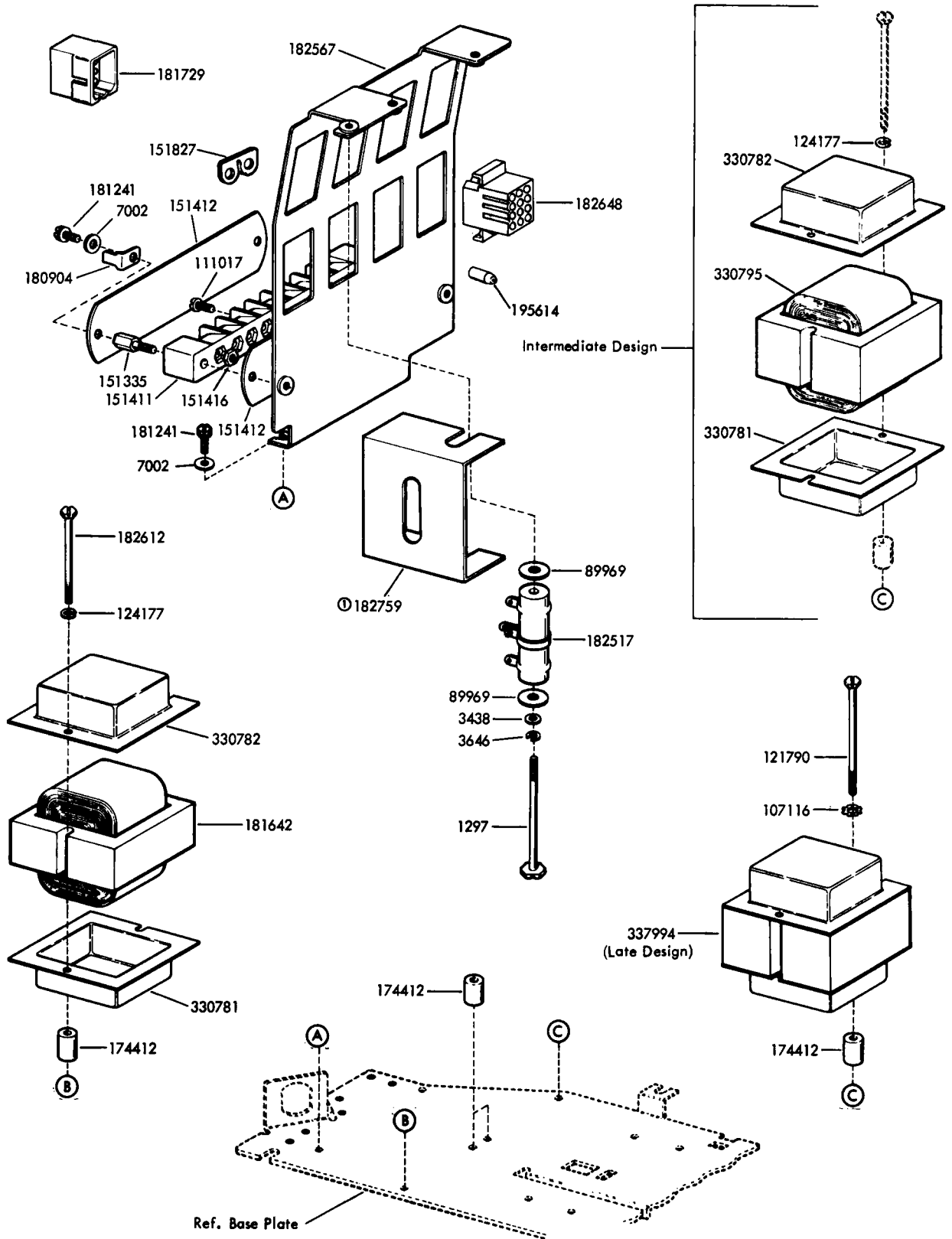


FIGURE 4. ELECTRICAL COMPONENTS - FOR USE WITH ROTARY DIAL (CONTINUED)

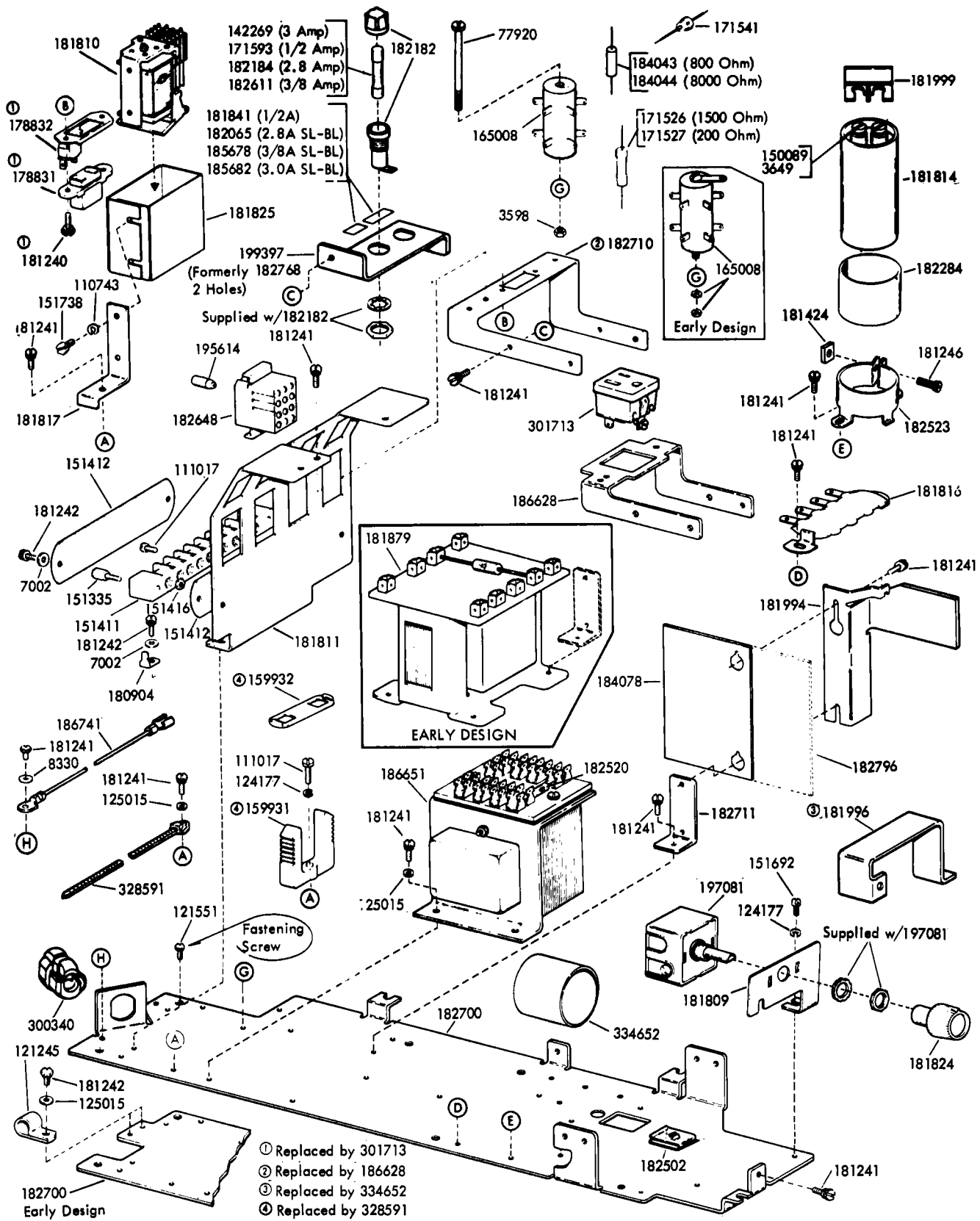


FIGURE 5. BASE PLATE AND ELECTRICAL COMPONENTS-FOR DC SIGNAL PRIVATE LINE

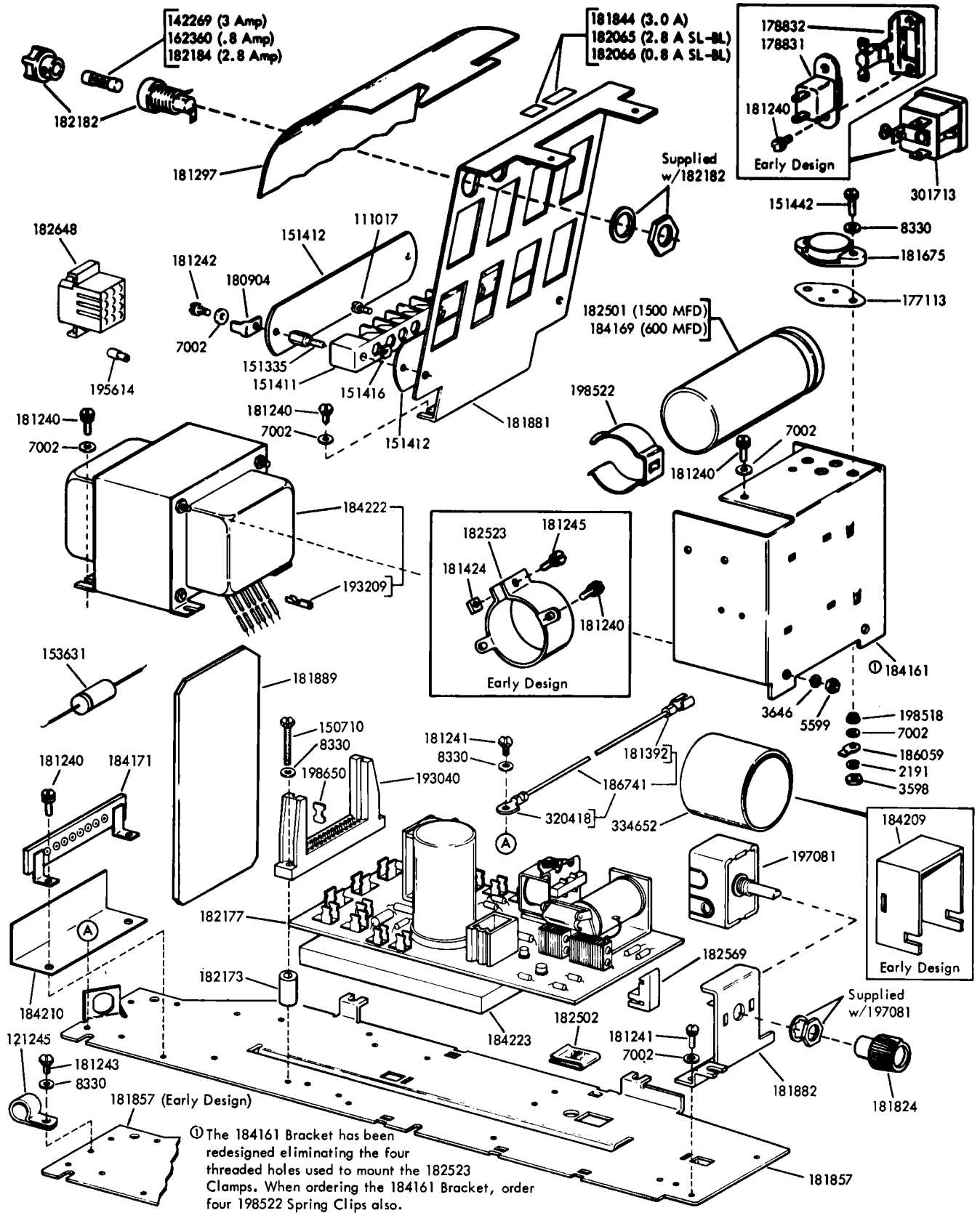
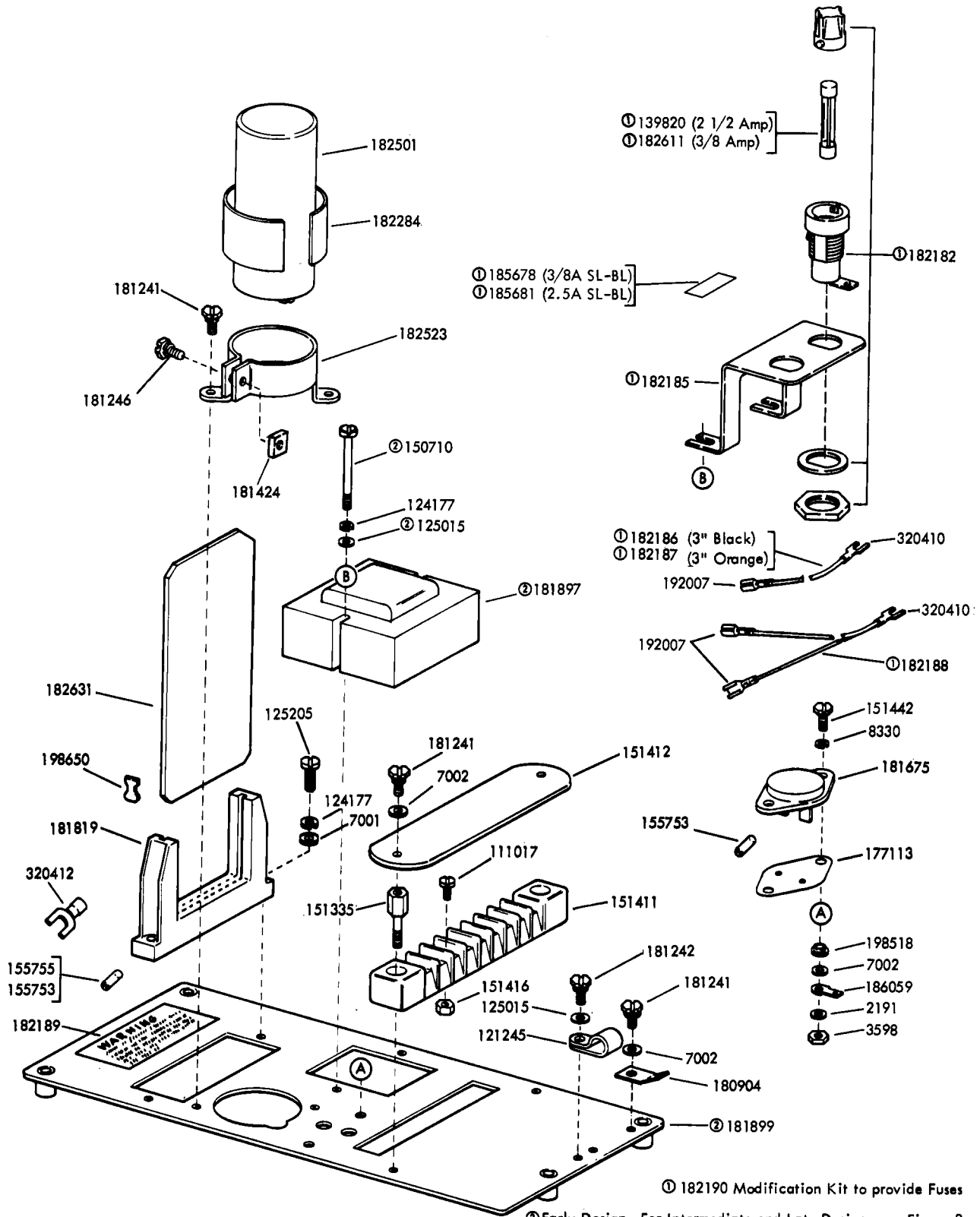


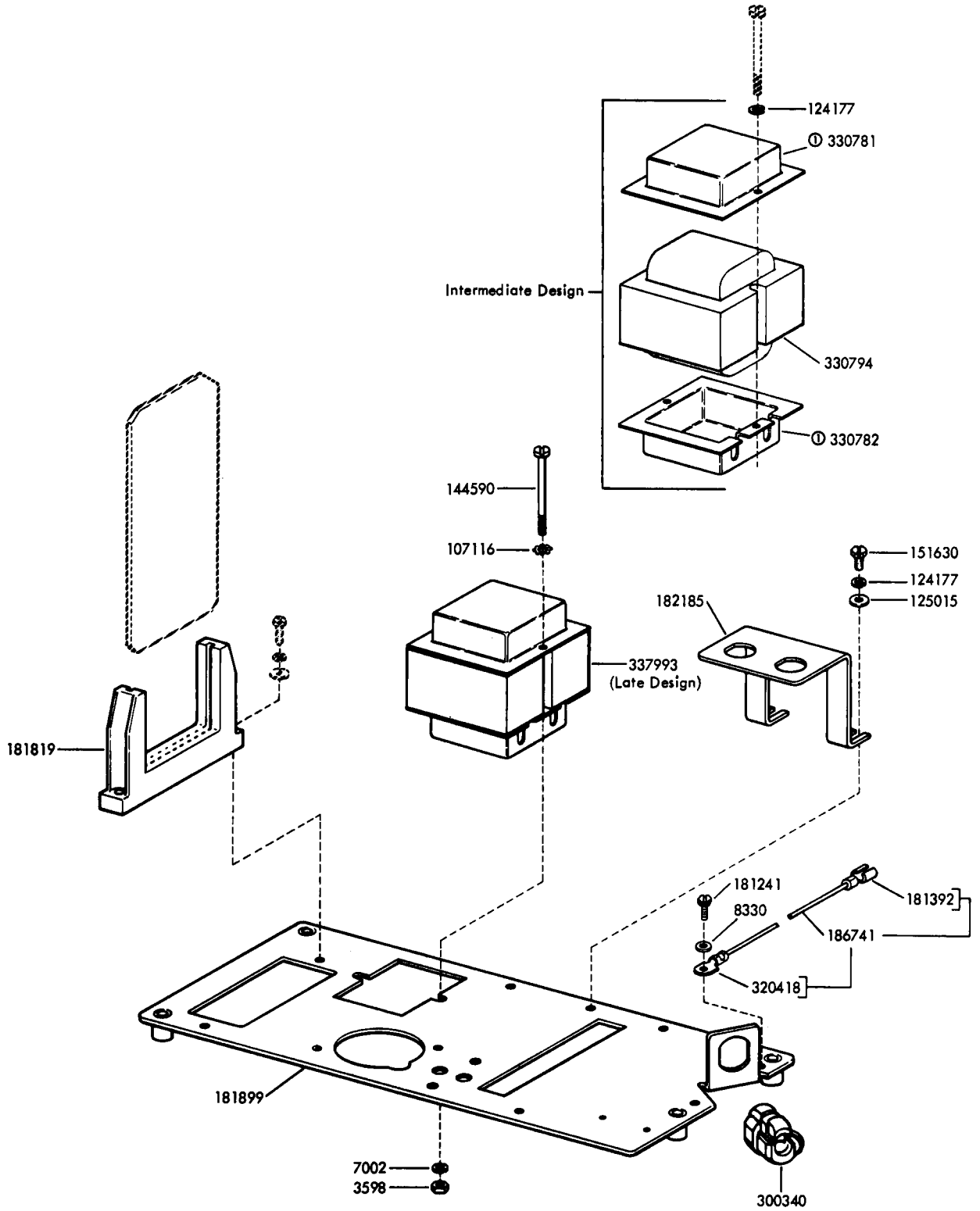
FIGURE 6. ELECTRICAL COMPONENTS-FOR COMPUTER CONTROL PRIVATE LINE



Note: This Figure depicts the Early Design assembly. For Intermediate and Late Design assembly changes, see Figure 8.

② Early Design. For Intermediate and Late Design, see Figure 8. The 181897 Transformer (60 Hertz) is no longer available. It has been replaced by the 337993 Transformer (50-60 Hertz). See Figure 8.

FIGURE 7. BASE PLATE COMPONENTS-FOR THE BASIC SET



Note: This Figure depicts the Intermediate and Late Design assembly changes. For Early Design assembly, see Figure 7.

Ⓛ Transformer shields cannot be used with the Early Design 181899 plate, and they are not recommended for use with the Early Design 181897 Transformer. (See Figure 7)

FIGURE 8. BASE PLATE COMPONENTS-FOR THE BASIC SET (CONTINUED)

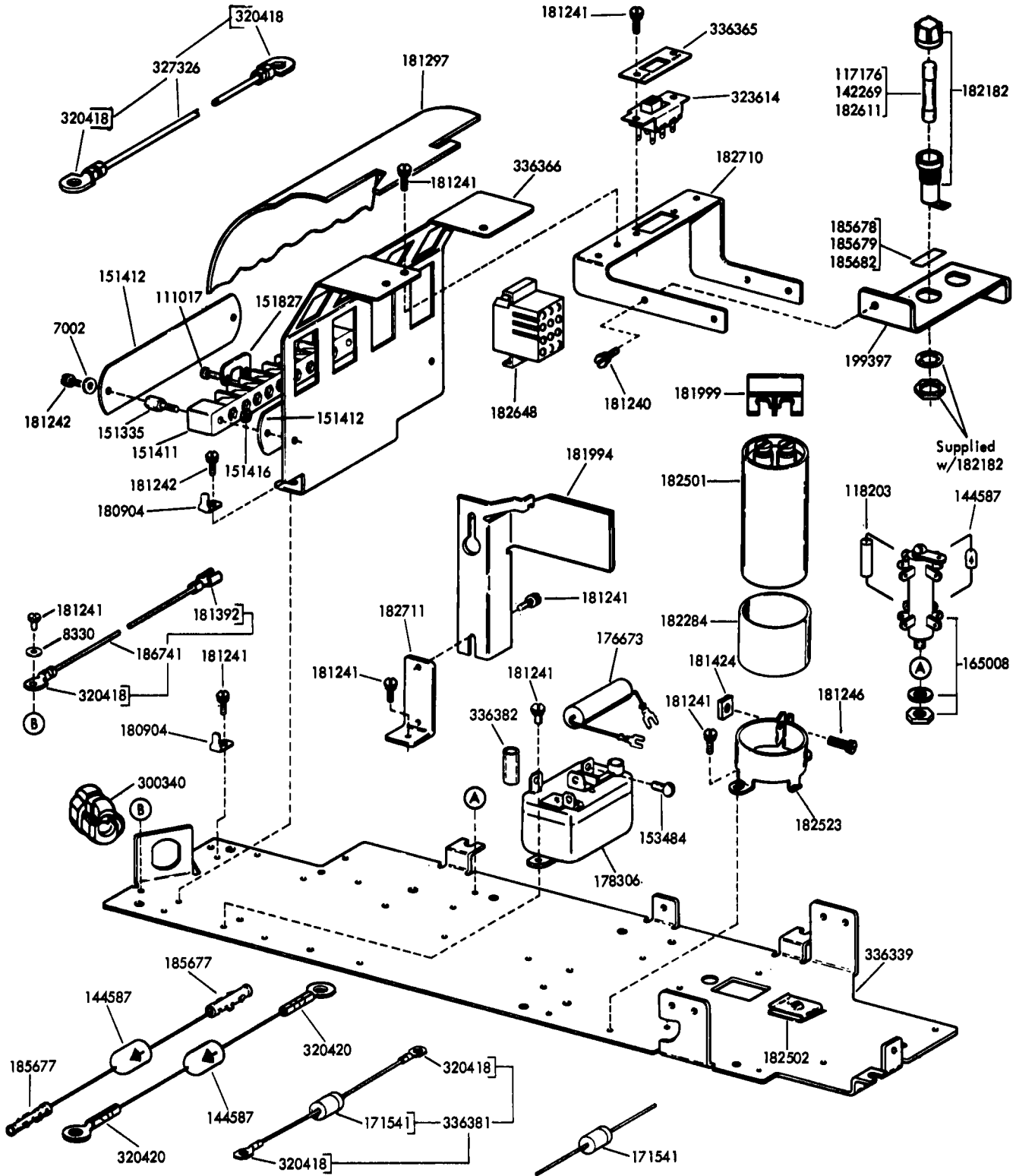


FIGURE 9. BASE PLATE COMPONENTS - FOR USE WITH SELECTIVE CALLING

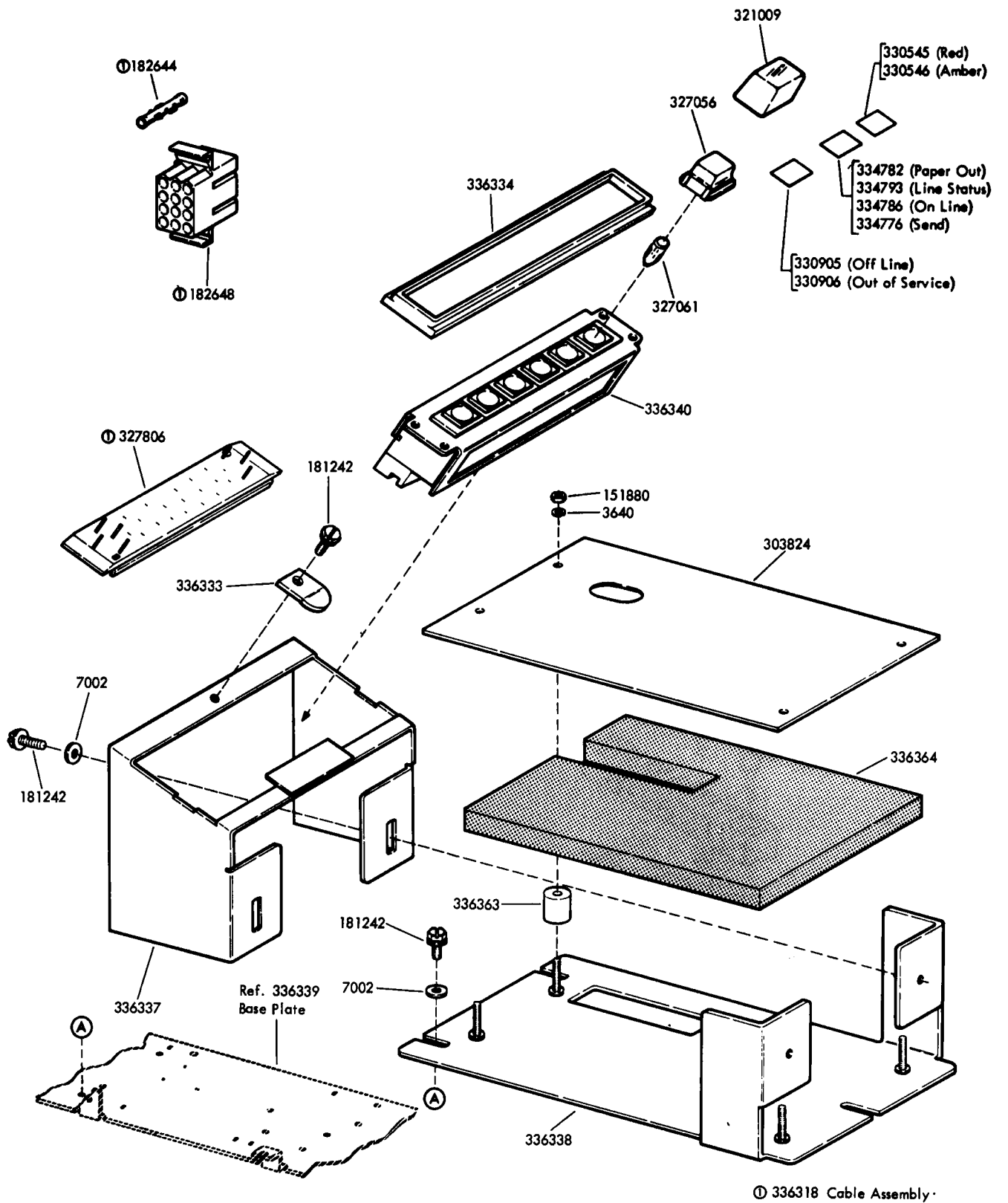


FIGURE 10. BASE PLATE COMPONENTS - FOR USE WITH SELECTIVE CALLING (Continued)

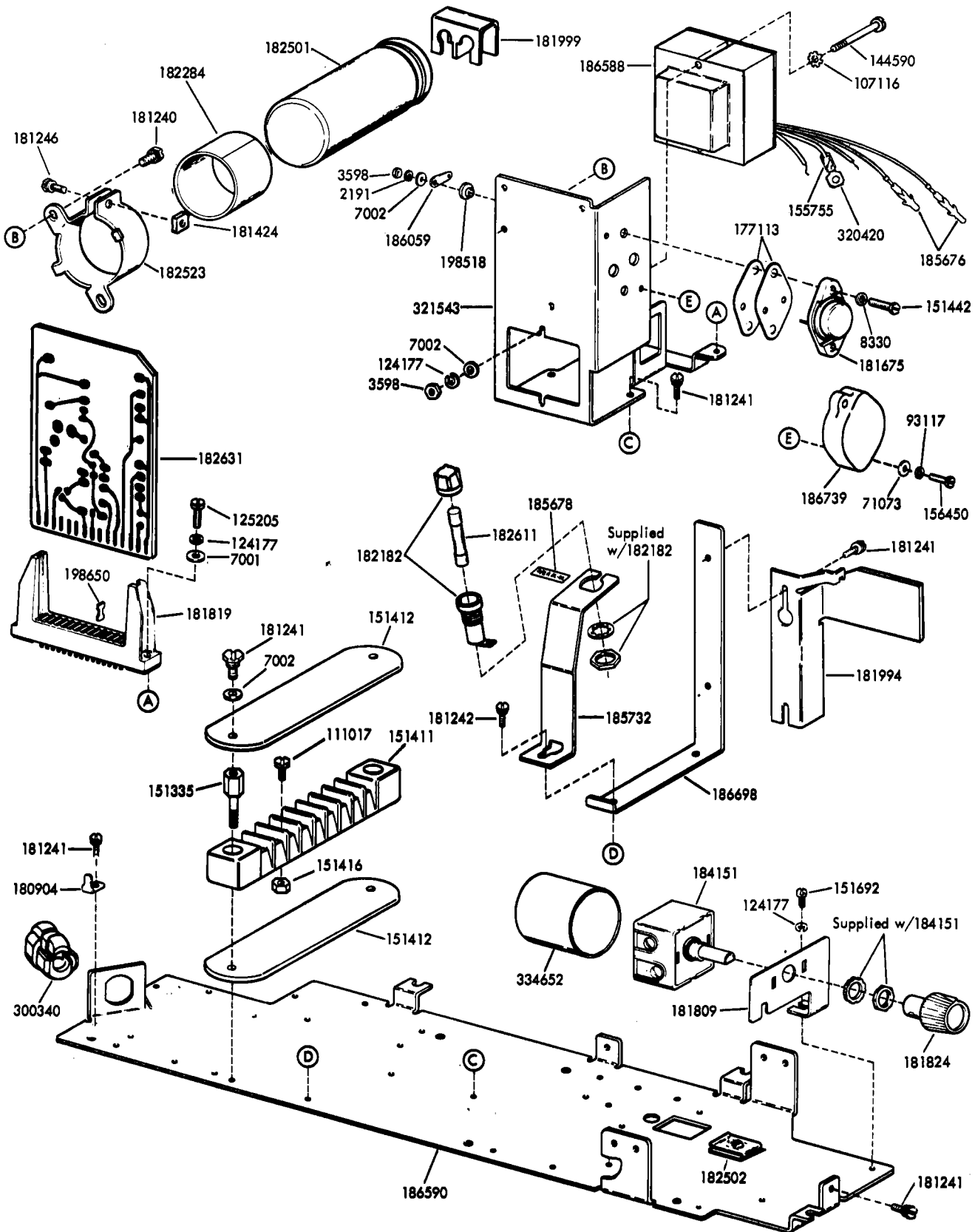
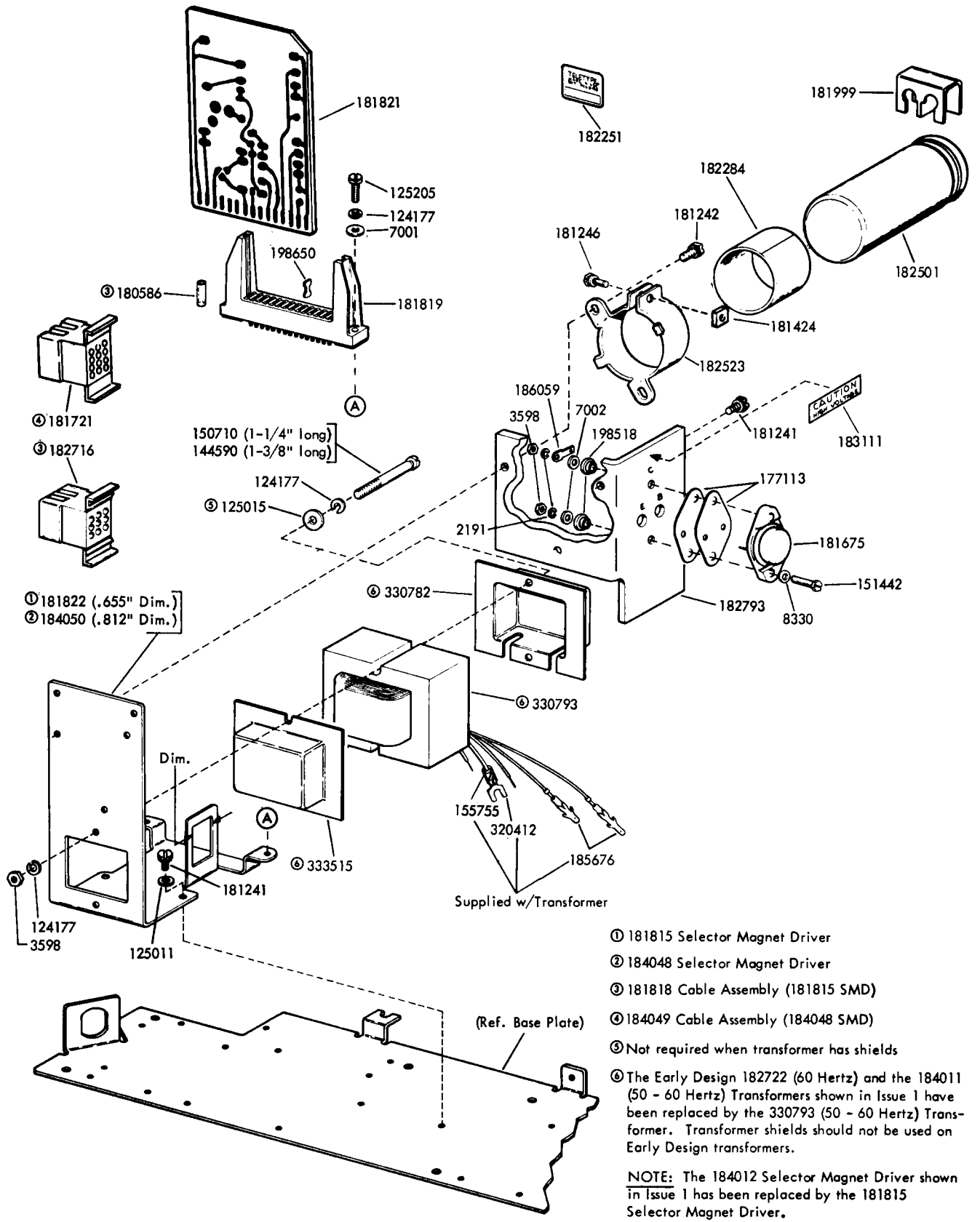
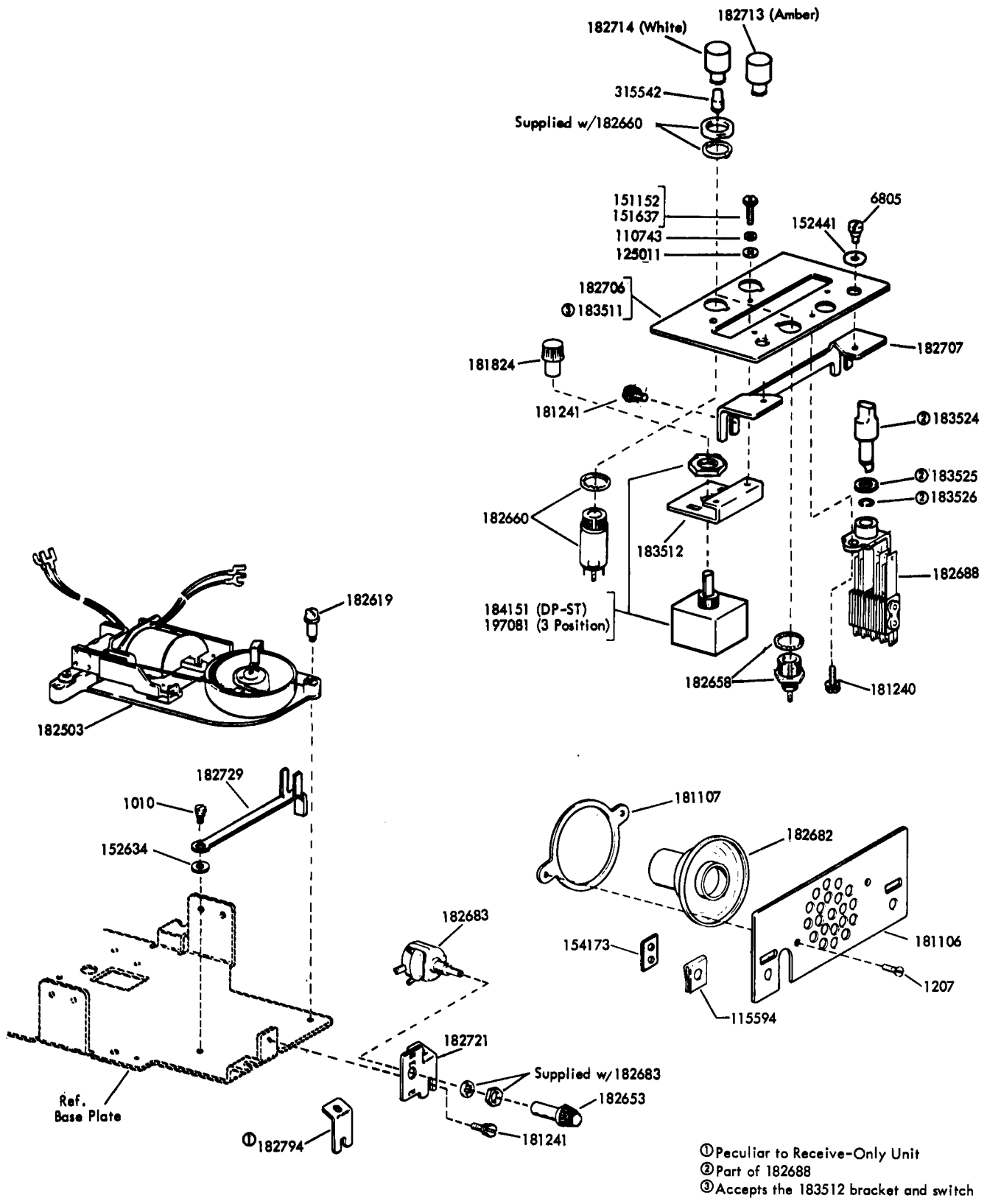


FIGURE 11. SELECTOR MAGNET DRIVER AND ELECTRICAL COMPONENTS



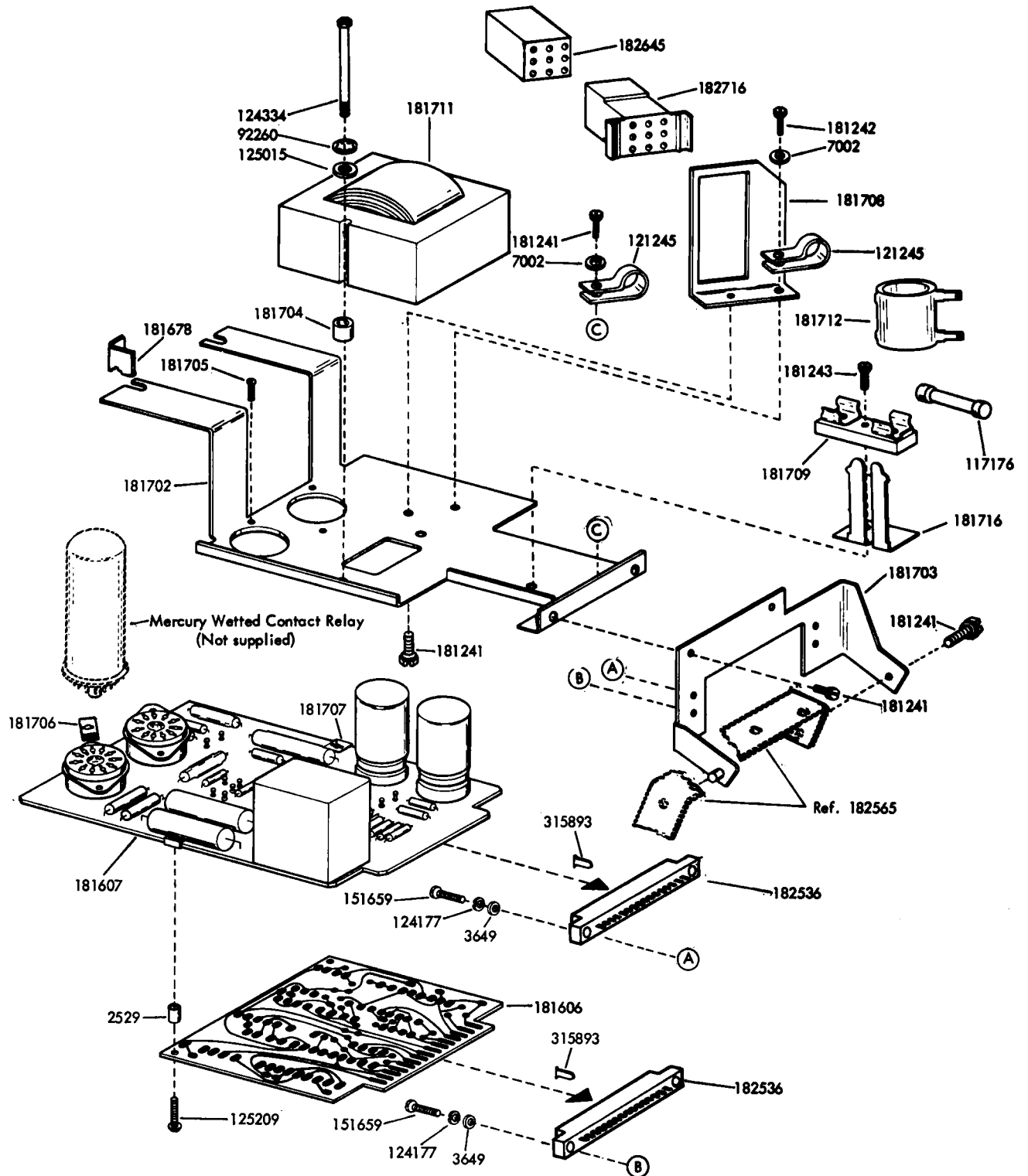
- ① 181815 Selector Magnet Driver
 - ② 184048 Selector Magnet Driver
 - ③ 181818 Cable Assembly (181815 SMD)
 - ④ 184049 Cable Assembly (184048 SMD)
 - ⑤ Not required when transformer has shields
 - ⑥ The Early Design 182722 (60 Hertz) and the 184011 (50 - 60 Hertz) Transformers shown in Issue 1 have been replaced by the 330793 (50 - 60 Hertz) Transformer. Transformer shields should not be used on Early Design transformers.
- NOTE:** The 184012 Selector Magnet Driver shown in Issue 1 has been replaced by the 181815 Selector Magnet Driver.

FIGURE 12. 181815 AND 184048 SELECTOR MAGNET DRIVERS



- ① Peculiar to Receive-Only Unit
- ② Part of 182688
- ③ Accepts the 183512 bracket and switch

FIGURE 13. ALARMS AND SPEAKER



Note: This Figure depicts the Early Design assembly. For Late Design assembly, see Figure 15. Cable components found in Figure 19 .

FIGURE 14. 182087 POLAR ADAPTER ASSEMBLY

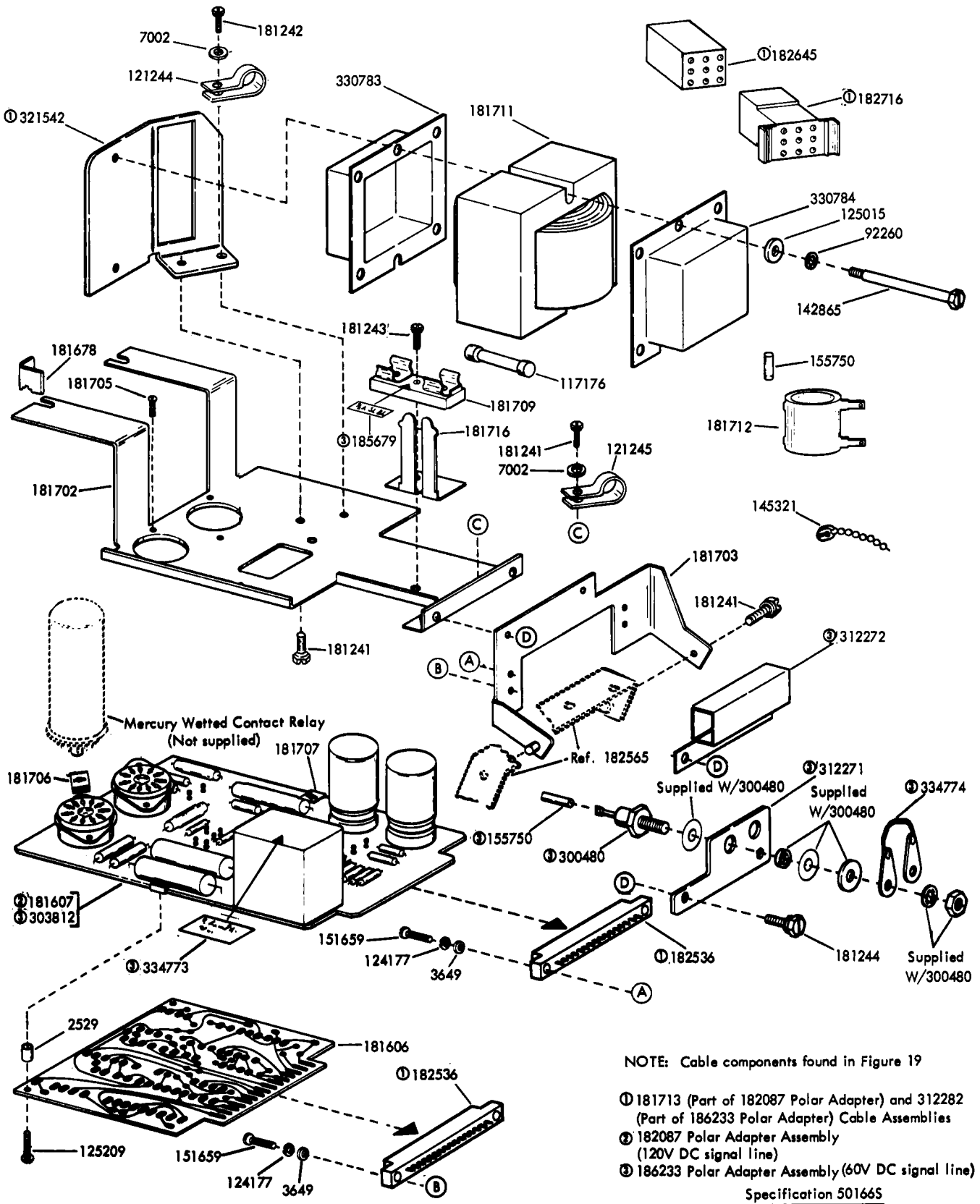


FIGURE 15. 182087 AND 186233 POLAR ADAPTER ASSEMBLIES

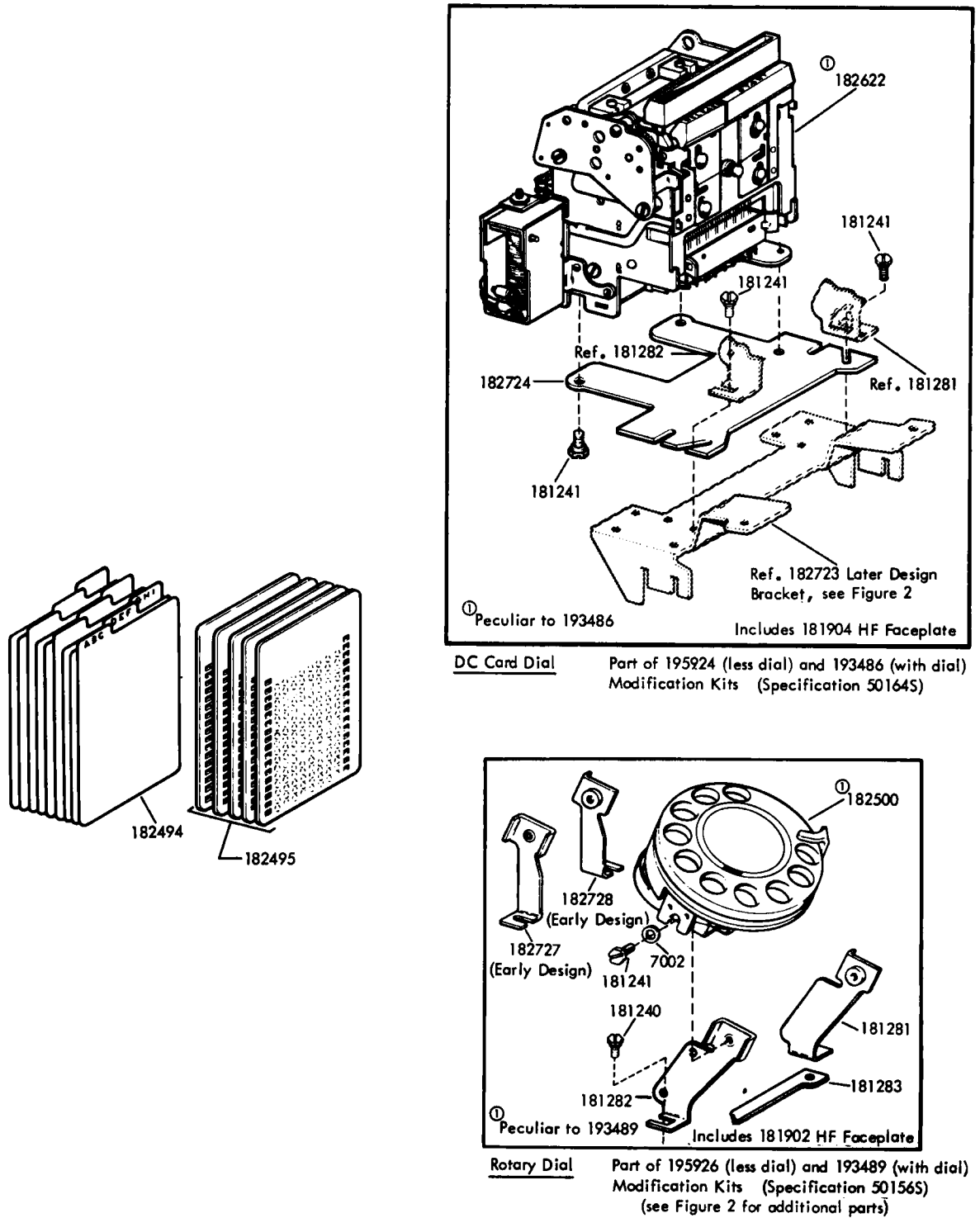


FIGURE 16. DIAL MODIFICATIONS

KEY ASSEMBLY PART LOCATION TABLE										
POSITION		182580	182581	182582	182583	182584	182586	182587	182588	182589
F	Plunger Switch	182559		182559	182663	182559	182663	182663	182559	182559
		182561		182562	182561	182562	182561	182561	182562	182562
E	Plunger Switch	182559	182667	182559	182667	182559	182667	182667	182559	182559
		182562	182562	182561	182562	182562	182664	182664	182562	182562
D	Plunger Switch	182559	182667	182559	182667	182559	182667	182667	182559	182559
		182562	181638	182562	182664	182562	182664	182562	182562	182562
C	Plunger Switch	182559	182667	182559	182667	182559	182667	182667	182559	182559
		182561		182562	182664	182562	182562	182664		
B	Plunger Switch	182559	182667	182559	182667	182667	182663	182667	182667	182559
		182560	182562	182562	182562	182562	182664	182562	182562	
A	Plunger Switch	182559		182559	182667	182667	182667	182667	182667	182559
		182561		182562	182664	182562	182562	182664	182562	182562

Switches shown often provide more than the minimum desired combinations.

Plunger Spring	182554	182554	182554	182554	182554	182554	182554	182554	182554	182554
Lockout	182556		182556						182556	182556
Latch Bar	182555		182666		308536				301769	182666
Latch Spring	182535		182535		182535				182535	182535
Bracket	182557	181637	182557	182557	182557	182557	182557	182557	182557	182557

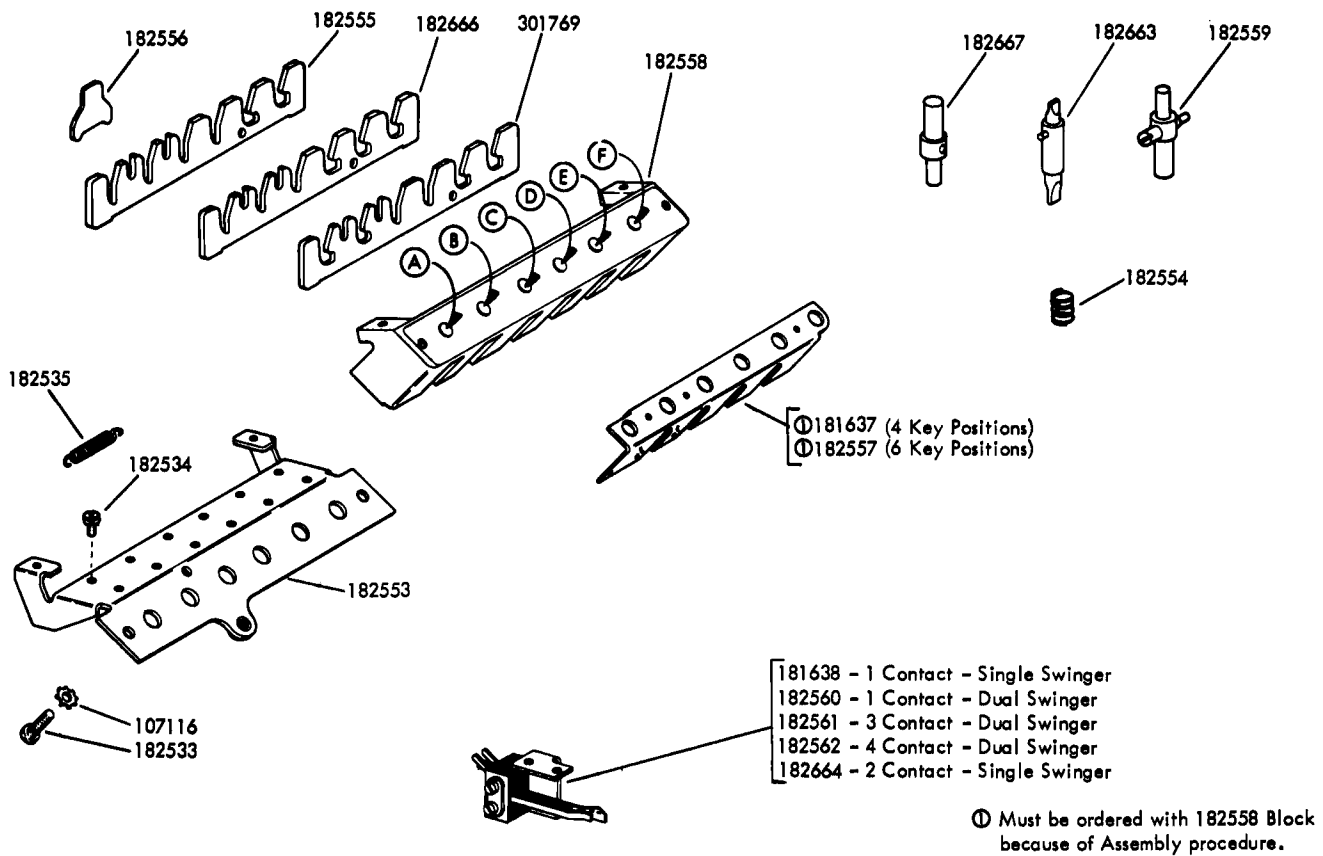


FIGURE 17. KEY ASSEMBLIES

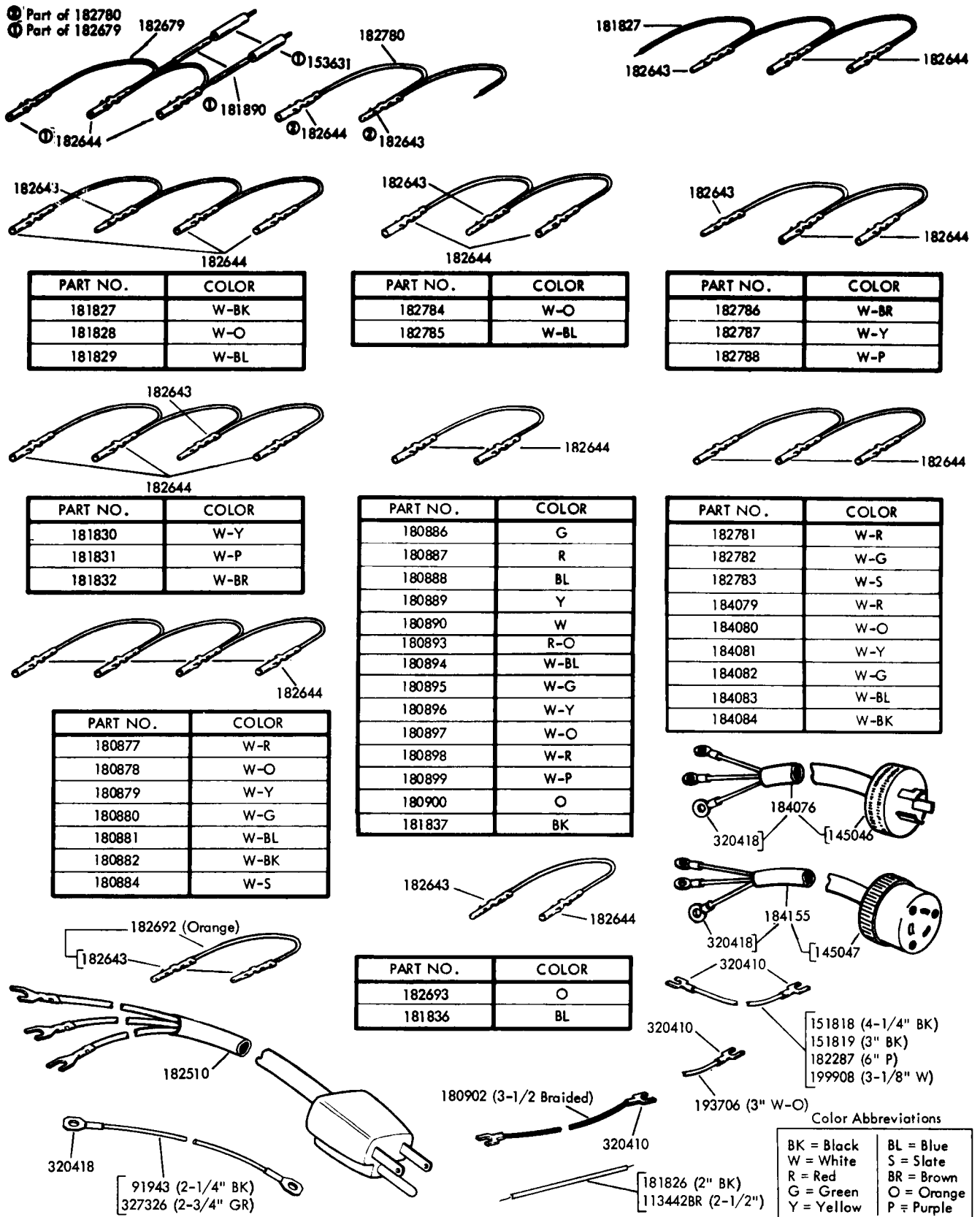
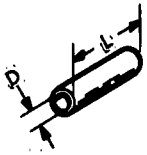


FIGURE 18. POWER CORDS AND JUMPERS



SLEEVE	D Inside Diameter	L Length
155750	3/32"	1/2"
155751	1/8"	1"
155752	5/64"	1/2"
155753	1/8"	1/2"
155755	11/64"	5/8"
181300	3/16"	1"
181301	1/4"	1"
181890	1/16"	1"
181892	9/64"	1"
181893	3/64"	1"

CABLE CLAMPS	
Part No.	I.D.
121242	1/8"
121243	3/16"
121244	1/4"
121245	5/16"
121246	3/8"
121247	7/16"
121248	1/2"
121249	5/8"
121250	3/4"
121251	1"

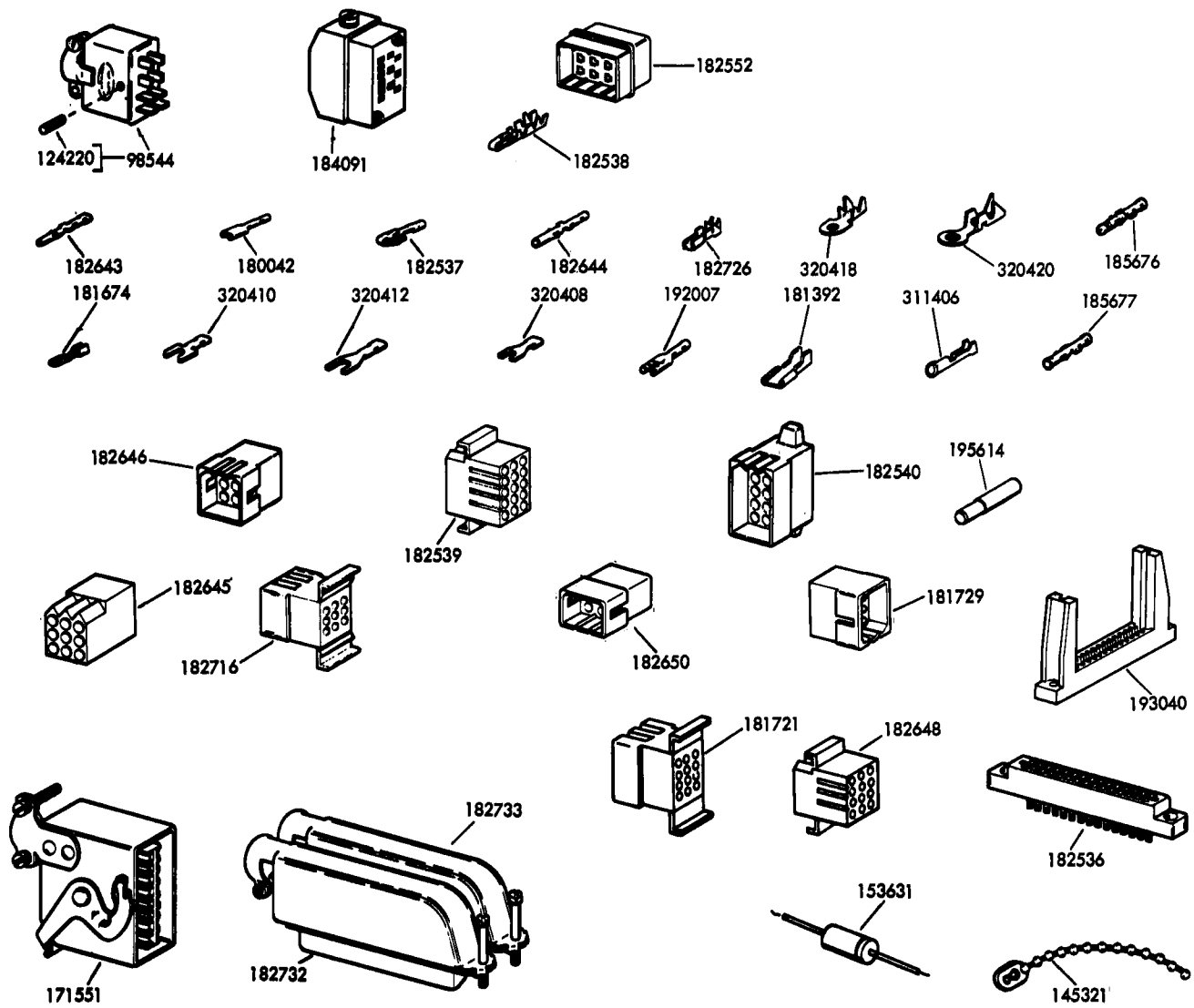


FIGURE 19. CABLE COMPONENTS

NUMERICAL INDEX

Part Number	Description and Page Number	Part Number	Description and Page Number	Part Number	Description and Page Number
1010	Screw, 6-40 Shoulder 14	121243	Clamp, 3/16 ID Cable 20	151335	Stud 2,3,5,6,7,8,10,12
1028	Screw, 4-40 x 1/4 Fil 3	121244	Clamp, 1/4 ID Cable 16, 20	151411	Block, Terminal 5,6,7,8, 10,12
1163	Screw, 4-40 x 3/16 Fil 3	121245	Clamp, 5/16 ID Cable 2, 6,7,8,15,16,20	151412	Insulator, Terminal 5,6, 7,8,10,12
1207	Screw, 4-36 x 5/16 Flat 14	121246	Clamp, 3/8 ID Cable 20	151415	Block, Terminal 2,3
1297	Screw, 6-40 x 2-7/16 Fil 5	121247	Clamp, 7/16 ID Cable 2, 20	151416	Nut, 6-40 Hex 2,3,5,6, 7,8,10,12
2191	Lockwasher 3,7,8,12,13	121248	Clamp, 1/2 ID Cable 20	151442	Screw, 6-40 x 1/2 Hex 7, 8,12,13
2529	Bushing, Insulating 15,16	121249	Clamp, 5/8 ID Cable 20	151630	Screw, 6-40 x 1/4 Hex 2,3,9
3438	Washer, Flat 5	121250	Clamp, 3/4 ID Cable 20	151637	Screw, 4-40 x 1/4 Fil 14
3598	Nut, 6-40 Hex 6,7,8,9,12, 13	121251	Clamp, 1 ID Cable 20	151659	Screw, 6-40 x 1/2 Fil 15,16
3640	Lockwasher 3,11,14	121551	Screw, 8-32 x 1/4 Hex 2, 3,6	151661	Screw, 6-40 x 1 Fil 4
3646	Lockwasher 5,7	121790	Screw, 6-40 x 1-7/8 Hex 4,5	151692	Screw, 6-40 x 3/16 Fil 6, 12
3649	Washer, Flat 3,4,6,15,16	124177	Lockwasher 4,5,6,8,9,12, 13,15,16	151693	Screw, 6-40 x 9/16 Fil 4
5599	Nut, 8-32 Hex 7	124220	Pin, Drive 20	151734	Screw, 4-40 3/8 Hex 14
6805	Screw, 6-40 Shoulder 14	124334	Plate, Mounting 15	151738	Screw, Identification 6
7001	Washer, Flat 8,12,13	125011	Washer, Flat 2,3,13,14	151818	Jumper, 4-1/4" Black 19
7002	Washer, Flat 2 to 13, 15,16,17	125015	Washer, Flat 3,4,6,8,9, 13,15,16	151819	Jumper, 3" Black 19
8330	Washer, Flat 2,6,7,8,9, 10,12,13	125205	Screw, 6-40 x 7/16 Fil 8,12,13	151827	Strap, Terminal 5,10
43633	Screw, 5-40 x 3/16 Fil 2	125209	Screw, 6-32 x 9/16 Rd 15,16	151880	Nut, 4-40 Hex 11
70072	Lockwasher 4	139820	Fuse, SL-BL 2.5 Amp 8	152441	Washer, Flat 14
71073	Washer, Flat 12	142269	Fuse, SL-BL 3 Amp 4,6,7, 10	152634	Washer, Flat 14
77920	Screw, 6-40 x 1-15/16 Fil 6	142865	Screw, 6-40 x 2-1/3 Hex 16	152893	Screw, 4-40 x 1/4 Hex 2,3
89969	Washer, Insulating 5	144587	Diode 10	153484	Screw, 6-32 Spl 3,4,10
90787	Screw, 4-40 x 3/8 Hex 2	144590	Screw, 6-40 x 1-3/8 Fil 9,12,13	153631	Network, Spark Suppression 7,19,20
91943	Jumper, 2-1/4" Black 19	145046	Connector, 3 Pt Plug 19	153799	Screw, 4-40 x 21/64 Hex 3
92260	Lockwasher 3,15,16	145047	Connector, 3 Pt Receptacle 19	153817	Screw, 4-40 x 3/8 Hex 3
93117	Lockwasher 12	145321	Tie, Cable 16,20	154173	Plate 14
93118	Lockwasher 2	150089	Screw, 4-40 x 1/2 Fil 2, 3,6	155750	Sleeve, 3/32 ID x 1/2" Lg Insulating 16,20
96717	Screw, 4-40 Shoulder 2	150710	Screw, 6-40 x 1-1/4 Fil 7,8,13	155751	Sleeve, 1/8 ID x 1" Lg Insulating 20
98544	Connector, 8 Pt Plug 20	150966	Insulator, Terminal 2,3	155752	Sleeve, 5/64 ID x 1/2" Lg Insulating 20
98726	Screw, 3-48 x 1/4 Fil 4	150978	Screw, 6-40 x 1-1/8 Fil 4	155753	Sleeve, 1/8 ID x 1/2" Lg Insulating 8,20
107116	Lockwasher 5,9,12,18	150982	Screw, 4-40 x 7/16 Fil 3	155755	Sleeve, 11/64 ID x 5/8" Lg Insulating 8,12,13,20
110743	Lockwasher 2,3,6,14	151073	Screw, 4-40 x 5/32 Fil 3	156450	Screw, 2-56 x 1/2 Fil 12
111017	Screw, 6-40 x 5/16 Fil 2,3,5,6,7,8,10,12	151152	Screw, 4-40 x 3/16 Hex 14	159597	Washer, Flat 2
111640	Screw, 2-56 x 7/32 Fil 2			159931	Clamp 6
112620	Screw, 4-40 x 1/2 Hex 3				
113442BR	Jumper, 2-1/2" Brown 19				
115594	Nut, Speed 14				
117176	Fuse, SL-BL 0.5 Amp 4, 10,15,16				
118203	Resistor, 4700 Ohm 10				
120167	Fuse, SL-BL 3.2 Amp 4				
121242	Clamp, 1/8 ID Cable 20				

NUMERICAL INDEX (Continued)

Part Number	Description and Page Number	Part Number	Description and Page Number	Part Number	Description and Page Number
159932	Keeper 6	180898	Jumper, 2-1/2" White-Red 19	181672	Relay, Power 4
162360	Fuse, SL-BL .8 Amp 7	180899	Jumper, 2-1/2" White-Purple 19	181673	Bracket, Relay 4
165008	Turret, Terminal 6,10	180900	Jumper, 2-1/2" Orange 19	181674	Terminal, Tab Type 20
171526	Resistor, 15,000 Ohm 6	180902	Jumper, 3-1/2" Braided 19	181675	Transistor, Power 7,8,12,13
171527	Resistor, 200 Ohm 6	180904	Tab, Terminal 5,6,7,8,10,12	181676	Shield, Relay 4
171541	Diode 6,10	181106	Plate, Baffle 14	181678	Bracket 15,16
171551	Connector, 16 Pt Plug 20	181107	Bracket 14	181702	Bracket w/Nuts 15,16
171593	Fuse, .5 Amp 6	181240	Screw w/Lockwasher, 6-40 x 3/16 Hex 2,4,6,7,10,12,14,17	181703	Bracket 15,16
174412	Spacer, .531" Thk 5	181241	Screw w/Lockwasher, 6-40 x 1/4 Hex 2 to 10,12,13,14,15,16,17	181704	Spacer, 7/16" Thk 15
176673	Suppressor, Spark 10	181242	Screw w/Lockwasher, 6-40 x 5/16 Hex 2,6,7,8,10,11,12,13,15,16	181705	Screw, No. 4 Self-Tapping 15,16
177113	Insulator 7,8,12,13	181243	Screw w/Lockwasher, 6-40 x 3/8 Hex 4,7,15,16	181706	Nut, Speed 15,16
178306	Relay, Power 4,10	181244	Screw w/Lockwasher, 6-40 x 7/16 Hex 16	181707	Nut, Speed 15,16
178535	Suppressor, Spark 3,4	181245	Screw w/Lockwasher, 6-40 x 1/2 Hex 7	181708	Bracket, Connector Mounting 15
178831	Connector, 2 Pt Receptacle 6,7	181246	Screw w/Lockwasher, 6-40 x 5/8 Hex 4,6,8,10,12,13	181709	Holder, Fuse 15,16
178832	Plate, Adapter 6,7	181281	Bracket, Right 17	181711	Transformer 15,16
180042	Terminal, Tab Type 20	181282	Bracket, Left 17	181712	Resistor, Power 15,16
180586	Sleeve, 5/32 ID x 21/32" Lg Insulating 13	181283	Spacer, .065" Thk 3,17	181713	Cable Assembly 16
180877	Jumper, 2-3/4" White-Red 19	181297	Cover, Insulating 7,10	181716	Bracket, Resistor 15,16
180878	Jumper, 2-3/4" White-Orange 19	181300	Sleeve, 3/16 ID x 1" Lg Insulating 20	181721	Connector, 12 Pt Plug Type 13,20
180879	Jumper, 2-3/4" White-Yellow 19	181301	Sleeve, 15/64 ID x 1" Lg Insulating 20	181729	Connector Assembly 5,20
180880	Jumper, 2-3/4" White-Green 19	181392	Terminal, Tab Type 2,7,9,10,20	181809	Bracket, Switch 6,12
180881	Jumper, 2-3/4" White-Blue 19	181424	Nut, 6-40 Sq 4,6,7,8,10,12,13	181810	Relay 6
180882	Jumper 2-3/4" White-Black 19	181602	Card, Circuit 2	181811	Bracket 6
180884	Jumper, 2-3/4" White-Slate 19	181604	Card, Circuit 4	181814	Capacitor, 250 MFD 6
180886	Jumper, 2-1/2" Green 19	181606	Card, Circuit 15,16	181815	Driver Assembly, Selector 1,13
180887	Jumper, 2-1/2" Red 19	181607	Card, Circuit 15,16	181816	Resistor, 4,200 Ohm 6
180888	Jumper, 2-1/2" Blue 19	181631	Strip Assembly, Lamp 2	181817	Bracket 6
180889	Jumper, 2-1/2" Yellow 19	181632	Button Assembly 2	181818	Cable Assembly 13
180890	Jumper, 2-1/2" White 19	181637	Bracket 18	181819	Connector, 15 Pt Circuit Card 8,9,12,13
180893	Jumper, 2-1/2" Red-Orange 19	181638	Contact Assembly 18	181821	Card, Circuit 13
180894	Jumper, 2-1/2" White-Blue 19	181642	Transformer 4,5	181822	Bracket 13
180895	Jumper, 2-1/2" White-Green 19	181645	Dial, Rotary 2	181824	Knob, Gray Pointer 6,7,12,14
180896	Jumper, 2-1/2" White-Yellow 19	181661	Buzzer, 115V AC 2	181825	Cover, Relay 6
180897	Jumper, 2-1/2" White-Orange 19			181826	Jumper, 2" Black 19
				181827	Jumper, 2-3/4" White-Black 19
				181828	Jumper, 2-3/4" White-Orange 19
				181829	Jumper, 2-3/4" White-Blue 19
				181830	Jumper, 2-3/4" White-Yellow 19
				181831	Jumper, 2-3/4" White-Purple 19

NUMERICAL INDEX (Continued)

Part Number	Description and Page Number	Part Number	Description and Page Number	Part Number	Description and Page Number
181832	Jumper, 2-3/4" White-Brown 19	182500	Dial, Rotary 2,17	182571	Screw, 6-40 Shoulder 2
181836	Jumper, 4-1/2" Blue 19	182501	Capacitor, 1,500 MFD 4, 7,8,10,12,13	182575	Bracket 4
181837	Jumper, 4-1/2" Black 19	182502	Nut, No.14 Speed 2,6,7, 10,12	182576	Bracket, Right 2
181841	Nameplate 6			182577	Bracket 2
181844	Nameplate 7	182503	Ringer w/Terminals 2,14	182578	Bracket 4
181857	Plate 7	182504	Transmitter 2	182580	Key Assembly 18
181879	Transformer, Power 6	182510	Cord, Power 19	182581	Key Assembly 18
181881	Bracket w/Studs 7	182517	Resistor, 35 Ohm 5	182582	Key Assembly 18
181882	Bracket, Switch 7	182520	Rectifier 6	182583	Key Assembly 18
181889	Card, Circuit 7	182522	Clip, Fuse 4	182584	Key Assembly 18
181890	Sleeve, 1/16 ID x 1" Lg Insulating 19,20	182523	Clamp, 1-3/8" ID Mounting 4,6,7,8,10,12,13	182586	Key Assembly 18
181892	Sleeve, 9/64 ID x 1" Lg Insulating 20	182524	Button Assembly 2,3	182587	Key Assembly 18
181893	Sleeve, 3/64 ID x 1-1/2" Lg Insulating 20	182527	Screw, 4-40 Shoulder 2	182588	Key Assembly 18
181897	Transformer 8,9	182529	Lamp, 10V 2,3	182589	Key Assembly 18
181899	Plate w/Bushings 8,9	182530	Strip Assembly, Lamp 2	182590	Block, Terminal 2
181902HF	Faceplate 17	182532	Filter 2,3	182607	Insulator, .031" Thk 4
181904HF	Faceplate 17	182533	Screw, 6-32 x 5/16 Rd 18	182608	Post, Square 4
181994	Bracket, Guide 6,10,12	182534	Screw, 4-40 Spl 18	182609	Post, Round 4
181996	Insulator 6	182535	Spring 18	182610	Stud 4
181999	Insulator 6,10,12,13	182536	Connector, 15 Pt Circuit Card 4,15,16,20	182611	Fuse, SL-BL 3/8 Amp 4, 6,8,10,12
182065	Plate, Identification 6,7	182537	Terminal, Tab Type 20	182612	Screw, 6-40 x 1-1/2 Hex 4,5
182066	Plate, Identification 7	182538	Terminal, Tab Type 20	182615	Pad 2
182087	Adapter Assembly, Polar 1,15,16	182539	Connector, 15 Pt Receptacle Type 20	182617	Capacitor, 1 MFD 2
182162	Post 4	182540	Connector, 15 Pt Plug Type 20	182618	Bracket 2
182173	Spacer 7	182543	Card, EC543 Circuit 4	182619	Screw, 6-40 Shoulder 2, 14
182177	Card, Circuit 7	182544	Card, EC544 Circuit 4	182622	Dial, DC Card 17
182182	Holder, Fuse 6,7,8,10,12	182552	Cap, 12 Pt Connector 20	182631	Card, Circuit 8,12
182184	Fuse, 2.8 Amp 6,7	182553	Plate, Base 18	182643	Terminal, Plug Type 19, 20
182185	Bracket 8,9	182554	Spring, Compression 18	182644	Terminal, Receptacle Type 11,19,20
182186	Jumper, 3" Black 8	182555	Bar, Latch 18	182645	Connector, 9 Pt Receptacle Type 15,16,20
182187	Jumper, 3" Orange 8	182556	Lockout 18	182646	Connector, 9 Pt Plug Type 20
182188	Cable w/Terminals 8	182557	Bracket 18		
182189	Tag, Warning 8	182558	Frame 18	182648	Connector, 12 Pt Receptacle Type 5,6,7,10, 11,20
182190	Modification Kit 8	182559	Plunger 18		
182191	Relay 3	182560	Contact Assembly 18	182650	Connector, 6 Pt Plug Type 20
182192	Bracket 3	182561	Contact Assembly 18		
182193	Insulator 3	182562	Contact Assembly 18	182651	Bracket 2
182251	Plate, Identification 13	182563	Plate w/Bracket 2	182652	Potentiometer, 250 Ohm 2
182284	Insulator, .015" Thk 4, 6,8,10,12,13	182564	Bracket 4	182653	Knob 2,14
182287	Jumper, 6" Purple 19	182565	Bracket 2,15,16	182658	Socket, Lamp 14
182492	Insulator, .031" Thk 4	182566	Bracket, Left 2	182660	Switch, Pushbutton 14
182494	Card Set, Index 17	182567	Bracket, Connector 5	182663	Plunger 18
182495	Card Set, Dialing 17	182568	Strap 2	182664	Contact Assembly 18
		182569	Clamp 2,7		

NUMERICAL INDEX (Continued)

Part Number	Description and Page Number	Part Number	Description and Page Number	Part Number	Description and Page Number
182666	Bar, Latch 18	182783	Jumper, 2-3/4" White-Slate 19	184209	Insulator 7
182667	Plunger 18	182784	Jumper, 2-1/4" White-Orange 19	184210	Insulator 7
182669	Relay, Power 3	182785	Jumper, 2-1/4" White-Blue 19	184222	Transformer 7
182679	Jumper w/Spark Suppressor 19	182786	Jumper, 2-1/4" White-Brown 19	184223	Pad 7
182682	Speaker, 2" 14	182787	Jumper, 2-1/4" White-Yellow 19	185676	Terminal, Plug Type 12, 13,20
182683	Resistor, 50 Ohm 14	182788	Jumper, 2-1/4" White-Purple 19	185677	Terminal, Receptacle Type 10,20
182684	Strap 3	182793	Plate, Heat Sink 13	185678	Plate, Identification 4, 6,8,10,12
182685	Strap 3	182794	Bracket 14	185679	Plate, Identification 4, 10,16
182688	Switch, Turn Button 14	182796	Insulator, .032" Thk 6	185681	Plate, Identification 8
182692	Jumper, 2-1/4" Orange 19	183111	Label 13	185682	Plate, Identification 4, 6,10
182693	Jumper, 2-1/4" Orange 19	183511	Plate, Pilot 14	185683	Plate, Identification 4
182700	Plate, Base 3,6	183512	Bracket, Switch 14	185732	Bracket, Fuse 12
182706	Plate, Pilot 14	183524	Button, Turn 14	186059	Terminal 7,8,12,13
182707	Bracket, Pilot 14	183525	Washer, Flat 14	186060	Screw, 6-40 Shoulder 2
182708	Bracket, Left 3	183526	Ring, Retaining 14	186233	Adapter Assembly Polar 1,16
182709	Bracket, Right 3	184011	Transformer 13	186588	Transformer w/Terminals 12
182710	Bracket, Upper 6,10	184012	Driver Assembly, Selector Magnet 13	186590	Plate 12
182711	Bracket, Lower 6,10	184036	Relay 3	186628	Bracket 6
182713	Cap, Amber Lens 14	184037	Bracket, Relay Mounting 3	186651	Transformer 6
182714	Cap, White Lens 14	184043	Resistor, 800 Ohm 6	186698	Bracket 12
182716	Connector, 9 Pt Plug Type 13,15,16,20	184044	Resistor, 8,000 Ohm 6	186739	Cover 12
182717	Board, Terminal 3	184045	Socket, Relay 3	186741	Jumper, 9" Green 2,6,7, 9,10
182718	Buzzer, 10V AC 3	184048	Driver Assembly, Selector Magnet 1,13	187069	Barrier 4,5
182721	Bracket 14	184049	Cable Assembly 13	192007	Terminal, Tab Type 8,20
182722	Transformer w/Terminals 13	184050	Bracket 13	193040	Connector w/Guide Slot 7,20
182723	Bracket 3,17	184055	Stud 3	193209	Connector, Receptacle Type 7
182724	Plate, Dial 17	184075	Cable Assembly 19	193434	Button Assembly 3
182726	Terminal, Receptacle Type 20	184076	Insulator, .032" Thk 6	193438	Strip, Lamp 3
182727	Bracket, Left 17	184078	Jumper, White-Red 19	193486	Modification Kit 17
182728	Bracket, Right 17	184079	Jumper, White-Orange 19	193489	Modification Kit 3,17
182729	Link, Ringer 14	184080	Jumper, White-Yellow 19	193706	Jumper, 3" White-Orange 19
182730	Bracket, Support 3	184081	Jumper, White-Green 19	195614	Pin, Key 5,6,7,20
182732	Connector, 50 Pt Plug 20	184082	Jumper, White-Blue 19	195924	Modification Kit 17
182733	Connector, 50 Pt Receptacle 20	184083	Jumper, White-Black 19	195926	Modification Kit 17
182759	Shield, Insulating 5	184084	Connector, 12 Pt Plug 20	197081	Switch, 3 Positions 6,7, 14
182761	Capacitor, 0.5 MFD 3	184091	Switch, DP-ST 12,14	198518	Bushing, Insulating 7,8, 12,13
182768	Bracket, Fuse 6	184151	Cable Assembly 19	198522	Clip, Spring 7
182780	Jumper, 2-1/4" White-Black 19	184155	Bracket 7		
182781	Jumper, 2-3/4" White-Red 19	184161	Capacitor, 500-600 MFD 7		
182782	Jumper, 2-3/4" White-Green 19	184169	Strip, Terminal 7		

NUMERICAL INDEX (Continued)

Part Number	Description and Page Number	Part Number	Description and Page Number	Part Number	Description and Page Number
198650	Key, Polarizing 7,8,12,13	320412	Terminal, Spade Type 8, 13,20	330905	Label, Off Line 11
199397	Bracket, Fuse 6,10			330906	Label, Out of Service 11
199908	Jumper, 3-1/2" White 19	320418	Terminal, Ring Type 2,7, 9,10,19,20	333515	Shield, Transformer 13
300340	Bushing 2,3,6,9,10,12			334652	Insulator, Switch 6,7,12
300480	Diode 16	320420	Terminal, Ring Type 10, 12,20	334773	Label 16
301713	Connector, 2 Pt Receptacle 6,7	321009	Cap, Plastic 11	334774	Strap 16
301769	Bar, Latch 18	321542	Bracket 16	334776	Label 11
303162	Card, Circuit 4	321543	Bracket 12	334782	Label 11
303809	Card, Circuit 2	323614	Switch, Slide 10	334786	Label 11
303812	Card, Circuit 16	327056	Button 11	334793	Label 11
303824	Card, Circuit 11	327061	Lamp, 24 V 11	336318	Cable Assembly 11
304660	Insulator, .031" Thk 4	327326	Jumper, 2-3/4" Green 10, 19	336333	Plate, Nut 11
304992	Bushing, Blocking 3			336334	Collar 11
305689	Card, Circuit 2	327806	Plug 11	336337	Bracket 11
308536	Bar, Latch 18	328591	Strap, Cable 6	336338	Plate 11
311406	Terminal, Receptacle Type 20	330340	Actuator, Switch 12	336339	Plate 10,11
312271	Plate 16	330545	Tab, Dark Red 11	336340	Switch, Key 11
312272	Insulator 16	330546	Tab, Amber 11	336363	Bushing, Insulating 11
312282	Cable Assembly 16	330781	Shield, Transformer 5,9	336364	Pad 11
315542	Lamp, 14V Incandescent 14	330782	Shield, Transformer 5,9, 13	336365	Label 10
315893	Key, Polarizing 4,15	330783	Shield, Transformer 16	336366	Bracket 10
320408	Terminal, Spade Type 20	330784	Shield, Transformer 16	336381	Diode w/Terminals 10
320410	Terminal, Spade Type 8, 19,20	330793	Transformer 13	336382	Sleeve, 5/16 ID x 1" Lg Insulating 10
		330794	Transformer w/Terminals 9	337993	Transformer 8,9
		330795	Transformer w/Terminals 4,5	337994	Transformer 5

