

PART 7

CONTENTS

	Page		Page
Abbreviations	3	Platen Unit S4281	63
Aggregate Levers Assembly	15	Plugs and Cords Arrangements	27
Answer Back Unit S4017A	75	Reperforating Unit S4022A	83
Cover Unit	95	Ribbon Unit S4001C	55
Electromagnet Unit S4284	29	Selector Frames Unit S4006	73
Function Bar Unit S4293	41	Selector Unit (Gear Box Model) S4279	43
Governor Contacts CP 4282/6	59	Selector Unit (Single Speed	
Governed Motor Unit S4282	57	Model) S4278	43
Governor Unit S4012	59	Signals Radio Interference	
Introduction	2	Suppression Unit 4275/33	79
Key to Model numbers of machines		Spring Drum and End of Line	
covered in this Parts List	5	Indicator S4277	53
Keyboard Unit S4008A	67	Standard Parts Index	97
Machine Sub-Assembly S4294	9	Synchronous Motor Unit S4283	61
Main Base Unit (Governed		Tape Drawer and Dummy Plinth	85
Motor) S4275	17	Tape Reader Keyboard Linkage System	
Main Base Unit (Synchronous		for Receiver only Machines	93
Motor) S4275	21	Tape Reader Unit S4151	87
Model 75 Drive Gears	49	Translator Unit 1st Stage CP 4280/2 .	31
Model 75 Teleprinter	7	Translator Unit 2nd Stage CP 4280/3 .	35
Numerical Index	99	Translator Unit 3rd Stage CP S4280 ..	37
Operation Counter S4020B	81	Transmitter Unit S4016C	77
Pictorial Index	4	Typehead Carriage Unit S4002	51

*For easy reference listed below are the pages on
which parts related to optional facilities are shown*

Answer Back Unit	Page 33, 35, 67
Automatic Carriage Return and Line Feed Mechanisms	Page 39, 51
Reperforating Attachment	Page 33
Tape Reader Attachment	Page 67
Two Colour Printing	Page 39, 51, 55, 65

LIST OF ILLUSTRATIONS

Aggregate Levers Assembly	Fig.7.7	Plugs and Cords Arrangements	Fig.7.13
Answer Back Unit S4017A	Fig.7.36	Reperforating Unit S4022A	Fig.7.40
Cover Unit	Fig.7.46	Ribbon Unit S4001C	Fig.7.25
Code Frames Assembly 4151/222 ...	Fig.7.6	Selector Frames S4006	Fig.7.35
Combination Bar Unit S4164	Fig.7.34	Selector Units S4278 and S4279 ..	Fig.7.19
Combination Bar Reset Lever	Fig.7.3	Selector Units S4278 and S4279 ..	Fig.7.20
Dashpot CP 4014/67D	Fig.7.12	Selector Units S4278 and S4279 ..	Fig.7.21
Delay Plate CP 4151/37	Fig.7.5	Signals Radio Interference	
Electromagnet Unit S4284	Fig.7.14	Suppression Unit 4275/33	Fig.7.38
Function Bar Unit S4293	Fig.7.18	Spring Drum and End-of-Line	
Governed Motor Unit S4282	Fig.7.26	Indicator S4277	Fig.7.24
Governor Contacts 4282/6	Fig.7.28	Synchronous Motor Unit S4283	Fig.7.29
Governor Unit S4012	Fig.7.27	Tape Drawer and Dummy Plinth	Fig.7.41
Keyboard Unit S4008A	Fig.7.32	Tape Reader Unit S4151	Fig.7.42
Keyboard Space Bar Mechanism	Fig.7.33	Tape Reader Unit S4151	Fig.7.43
Machine Sub Assembly S4294		Tape Reader Unit S4151	Fig.7.44
(Top View)	Fig.7.2	Tape Reader Keyboard Linkage	
Machine Sub Assembly S4294		System for Receiver only Machines	Fig.7.45
(Underside View)	Fig.7.4	Translator Unit 1st Stage	
Main Base Unit S4275 Group 1		CP 4280/2	Fig.7.15
Governed Motor (Top View)	Fig.7.8	Translator Unit 1st Stage	
Main Base Unit S4275 Group 1		CP 4280/2	Fig.7.15
Governed Motor (Underside View) .	Fig.7.9	Translator Unit 2nd Stage	
Main Base Unit S4275 Group 2		CP 4280/3	Fig.7.16
Synchronous Motor (Top View)	Fig.7.10	Translator Unit 3rd Stage	
Main Base Unit S4275 Group 2		CP S4280	Fig.7.17
Synchronous Motor		Translator Unit 3rd Stage	
(Underside View)	Fig.7.11	CP S4280	Fig.7.17
Model 75 Drive Gears	Fig.7.22	Transmitter Unit S4016C	Fig.7.37
Model 75 Teleprinter	Fig.7.1	Two Colour Print Parts on	
Operation Counter S4020B	Fig.7.39	Platen Unit	Fig.7.31
Platen Unit S4281	Fig.7.30	Typehead Carriage Unit S4002	Fig.7.23



MODEL SEVENTY-FIVE TELEPRINTER

PARTS LIST

GENERAL

This section of the manual contains the part numbers and names of those parts of the Model Seventy Five Teleprinter which can be supplied as spares.

At the end of this section is an indexed list showing the quantity of standard nuts, screws, washers, circlips and spring dowel pins used on the machine. The index has been arranged to indicate the size and type of part and its position in the list, e.g. 6LN4 is a 6BA Locknut and fourth in the list of Locknuts; 8SW11 is an 8BA Spring Washer and is eleventh in the list of Spring Washers.

Some of the standard parts shown on the illustrations have a blue ★ against the index reference. This indicates that they have been secured with the plastic retaining compound referred to in Appendix E.








The method of presenting the information in Creed's Parts Lists is constantly under review and customers suggestions for improvement will be carefully considered.

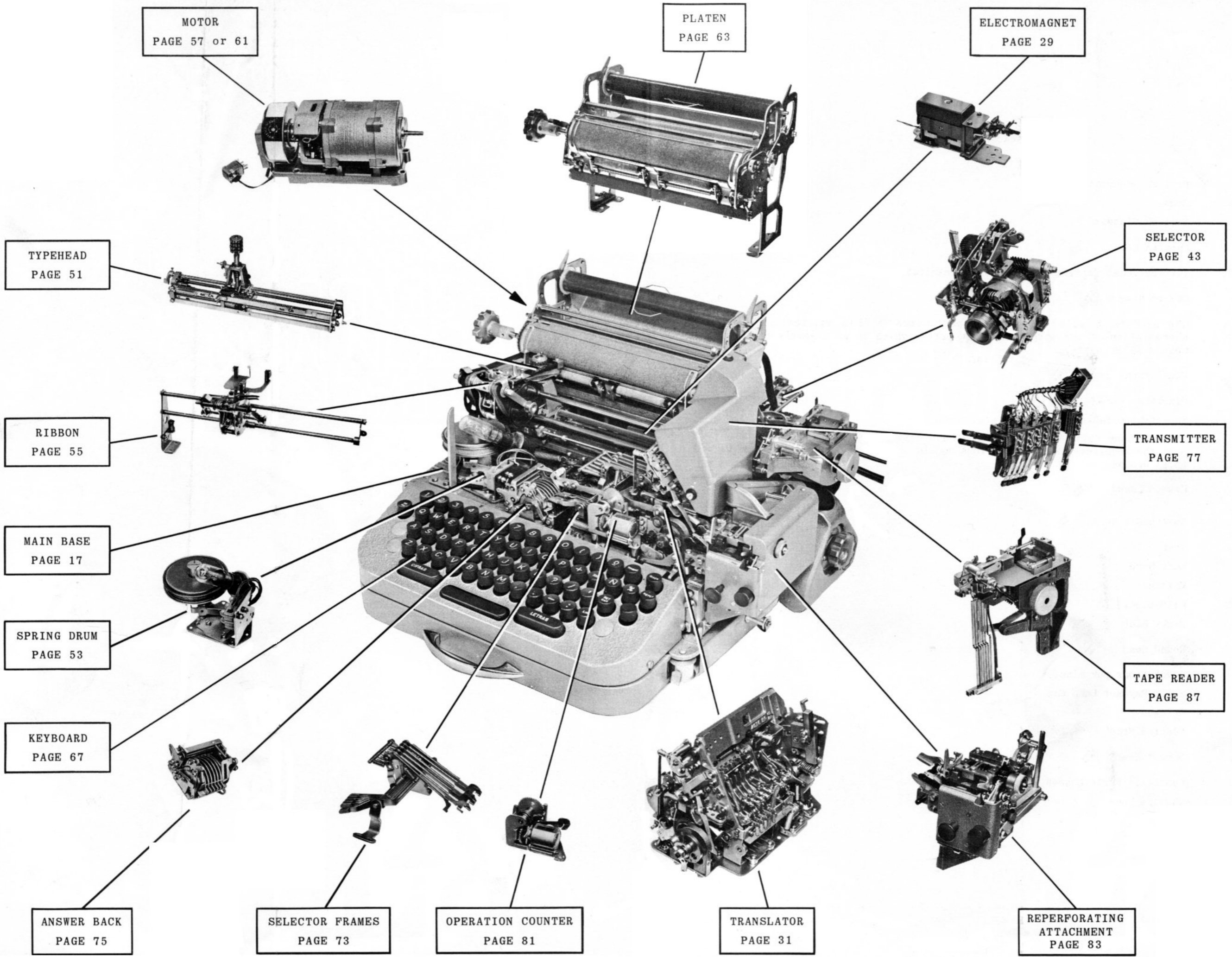
Creed policy is one of continuous improvement and the right is reserved to revise equipment specifications and published details without prior notice. Consequently individual machines may be of an earlier or later pattern than the machine illustrated here. Spares requisitions may nevertheless be based on the published information since all orders and enquiries are checked by the technical order editing department.

To ensure that correct parts are supplied it is essential that the following information is provided when replacement parts are ordered:-

1. Part number
 2. Part name
 3. Model number
 4. Serial number
- } as shown on machine nameplate

ABBREVIATIONS

BA	British Association
Br	Brass
BS	British Standard
Cap Hd.	Capstan Head 
C.C.I.T.T.	International Telegraph & Telephone Consultative Committee
Ch. Hd.	Cheese Head 
CP	The letters CP after some of the part names in this publication are an abbreviation of the words 'complete part', which is an assembly of two or more smaller parts.
Csk. Hd.	Countersunk Head 
Dia.	Diameter
E.O.L.I.	End-of-Line Indicator
GRP	Group. Some Units of this machine have differences in their assembly to meet the requirements of the various Models. These differences are referred to as Groups.
Hex. Hd.	Hexagon Head 
Inst. Hd.	Instrument Head 
in.	Inch
LH	Left Hand
max.	Maximum
MS	Mild Steel
RH	Right Hand
Rd. Hd.	Round Head 
r.p.m.	Revolutions per minute
S.B.C.	Small Bayonet Lamp Cap
Scr	Screwed
Sl. Hd.	Slotted Head
Skt. Hd.	Socket Head 
S.R.B.F.	Synthetic Resin Bonded Fibre
WRU?	Who Are You?



MOTOR
PAGE 57 or 61

PLATEN
PAGE 63

ELECTROMAGNET
PAGE 29

TYPEHEAD
PAGE 51

SELECTOR
PAGE 43

RIBBON
PAGE 55

TRANSMITTER
PAGE 77

MAIN BASE
PAGE 17

SPRING DRUM
PAGE 53

TAPE READER
PAGE 87

KEYBOARD
PAGE 67

ANSWER BACK
PAGE 75

SELECTOR FRAMES
PAGE 73

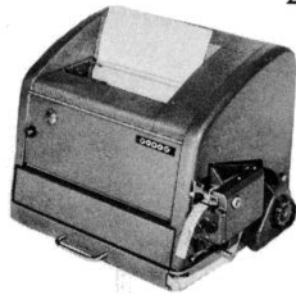
OPERATION COUNTER
PAGE 81

TRANSLATOR
PAGE 31

REPERFORATING
ATTACHMENT
PAGE 83



1



2



3



4



5



6



7

VERSIONS OF THE MODEL
SEVENTY-FIVE TELEPRINTER
COVERED IN THIS PARTS LIST

1 75R Receiver-
only Printer

2 75RP/R Receiver-
only with
Reperforating
Attachment

3 75/K Transmitter-
Receiver with
Keyboard

4 75RP/K Transmitter.
Receiver with
Keyboard and
Reperforating
Attachment

5 75RX/T Receiver-
Transmitter
without Keyboard
with Tape Reader

6 75K/T Transmitter-
Receiver with
Keyboard and
Tape Reader

7 75RP/TK Transmitter-
Receiver with
Keyboard
Reperforating
Attachment and
Tape Reader
Attachment

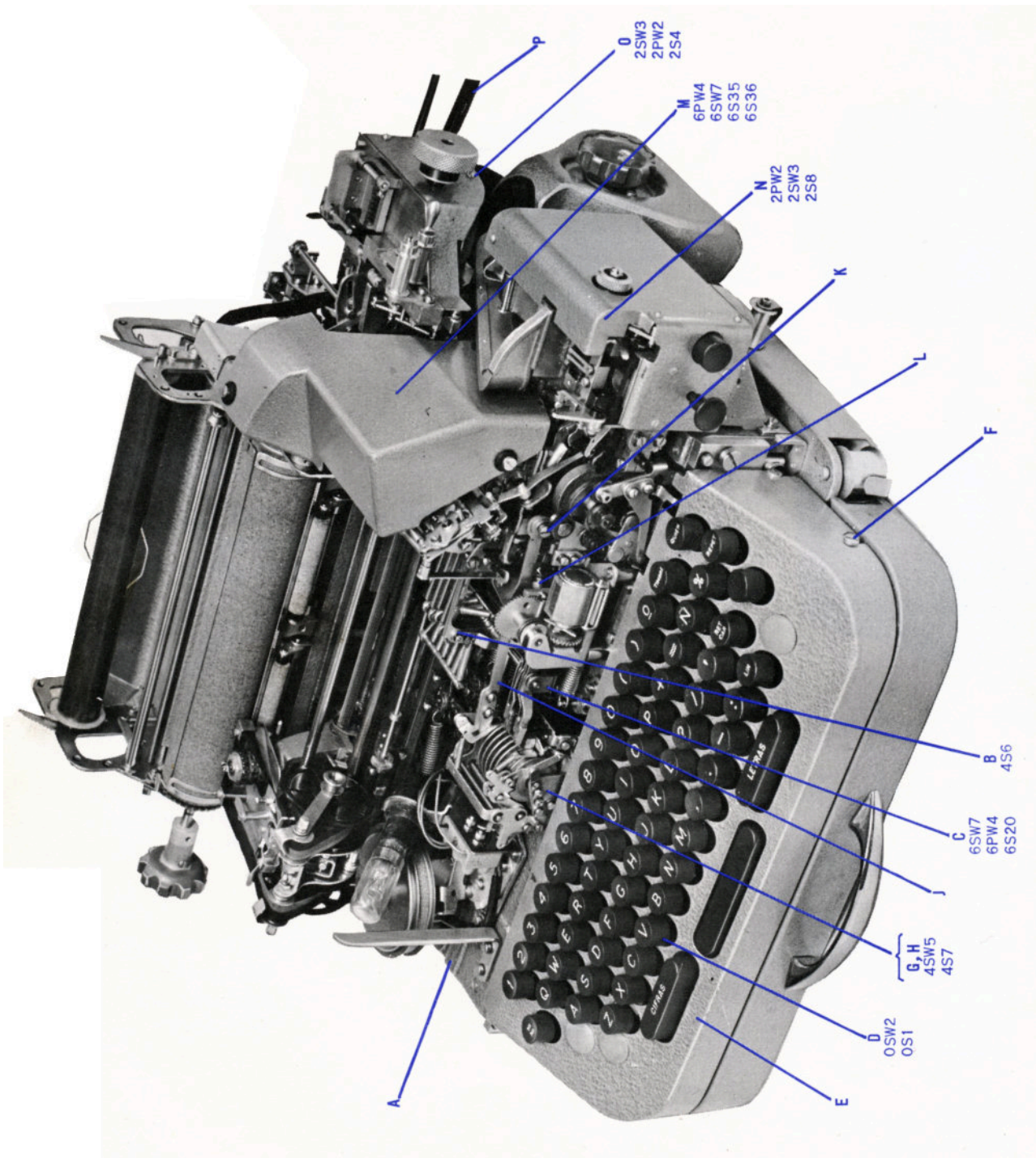


FIG. 7.1 MODEL SEVENTY-FIVE TELEPRINTER

MODEL SEVENTY-FIVE TELEPRINTER

Index Letter	Part No.	Part Name	See Page	Index Letter	Part No.	Part Name	See Page
A	S4294	MACHINE SUB-ASSEMBLY	9	O	S4151	TAPE READER CASTING ASSEMBLY	87
B	S4006	SELECTOR FRAMES UNIT	73	P	4000/50A	POWER AND SIGNAL CONNECTION CABLE	27
C	4000/35	Selector Frames Front Bearing			S4098	Guide Rail CP (for machines with external paper supply)	
D	S4008A	KEYBOARD UNIT	67			COVER UNIT (for machines fitted with Reperforating Attachment)	
	or 4151/244	DUMMY KEYBOARD CP (for machines less keyboard and with Tape Reader)			or S4015	COVER UNIT (for machines without Reperforating Attachment)	
					or 4151/249	COVER UNIT (for machines fitted with Tape Reader facility)	
					or 4151/210	COVER UNIT (for machines fitted with Tape Reader facility and Reperforating Attachment)	95
E	4000/32	Keyboard Mask CP (3-Row)			PS5674	Shouldered Screw (4 per machine without Reperforating Attachment or for securing 3 per machine with Reperforating Attachment)	
	or 4000/45	Keyboard Mask CP (4-Row Treble Space Pad)				Special Screw (one per machine with Reperforating Attachment)	
	or 4000/48	Keyboard Mask CP (4-Row Single Space Pad)				Dummy Front (for machines less keyboard and Tape Reader facility)	
	or 4151/228	Keyboard Mask CP (3-Row)			PS5672	Dummy Front (for machines less keyboard and with Tape Reader facility)	
	or 4151/237	Keyboard Mask CP (4-Row Single Space Pad)			4015/29	Special Screw (2 per set) for securing Dummy Front	
	or 4151/240	Keyboard Mask CP (4-Row Treble Space Pad)			or 4151/243	Cover Plate CP (for machines less Tape Reader facility)	
F	PS5289	Special Screw (4 per set) for securing item D	75		PS5399	Cover Plate CP (for machines with Tape Reader facility)	
G	S4017A	ANSWER BACK UNIT			4000/1	Special Screw (2 per set) for securing Dummy Front	
H	4017/135	Shim (0.015 in.) assembled under item F			or 4151/174	Cover Plate CP (for machines with Tape Reader facility)	
I	4000/14	Answer Back Feed Pawl CP includes:-			PS5258	Special Screw (5 per machine) for securing Cover Plate	
J	4000/18	Answer Back Hatchet Feed Pawl					
K	4000/19	Answer Back Feed Pawl Stop					
L	EC1581	Eccentric					
M	PG7497A	Tension Spring					
N	4014/150	Spring Anchor Plate (not shown)	77				
	S4016C	TRANSMITTER UNIT	83				
	S4022A	REPERFORATING UNIT					

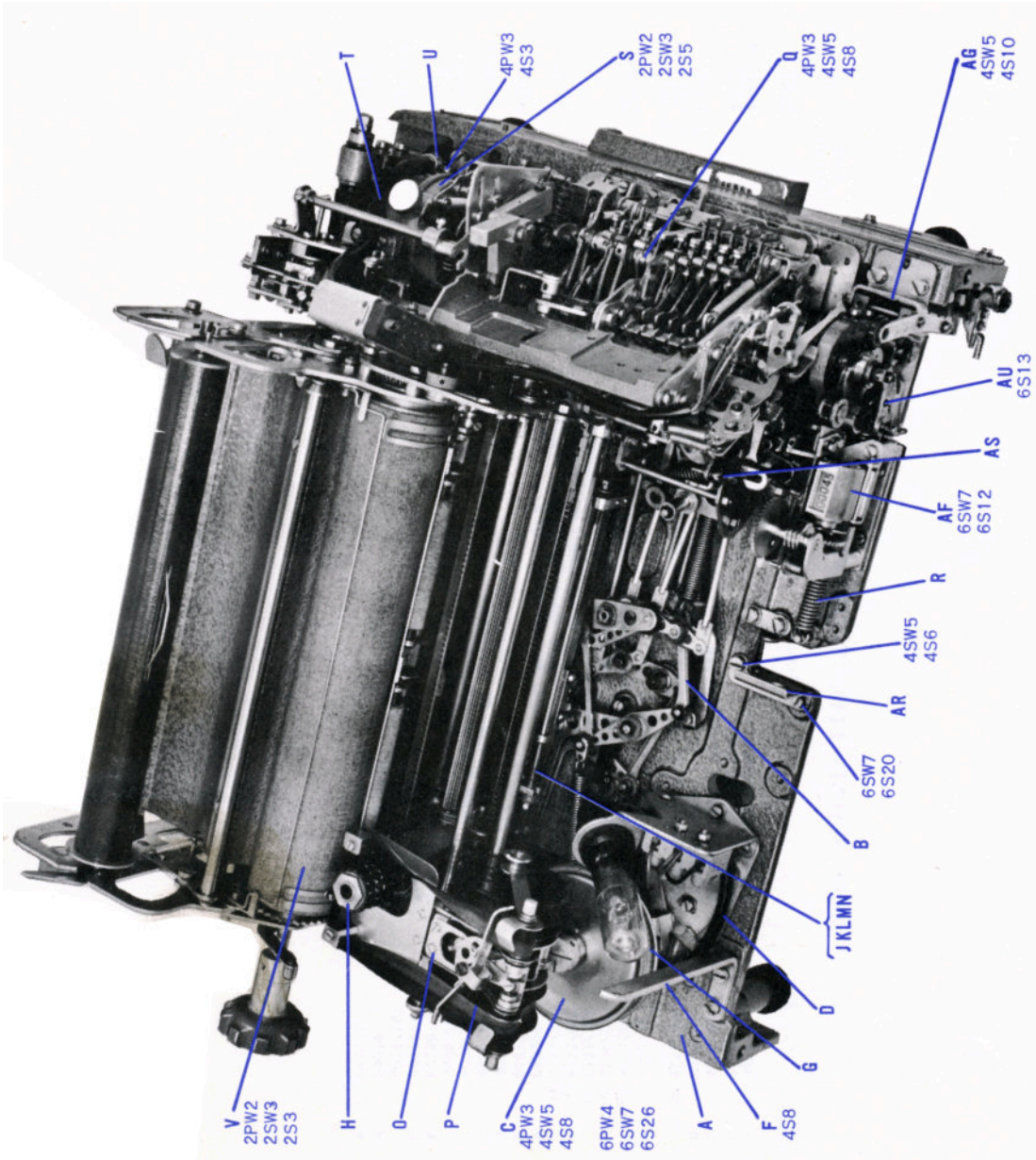


FIG. 7.2 MACHINE SUB-ASSEMBLY S4294 (TOP VIEW)

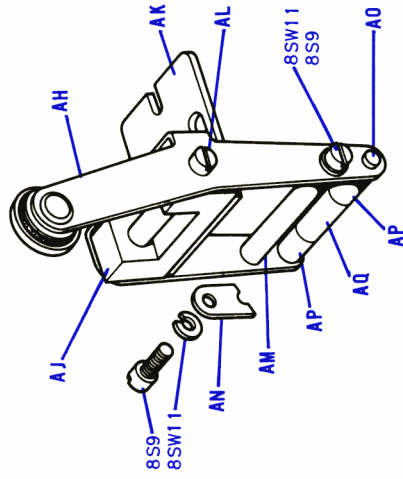


FIG. 7.3 COMBINATION BAR RESET LEVER CP

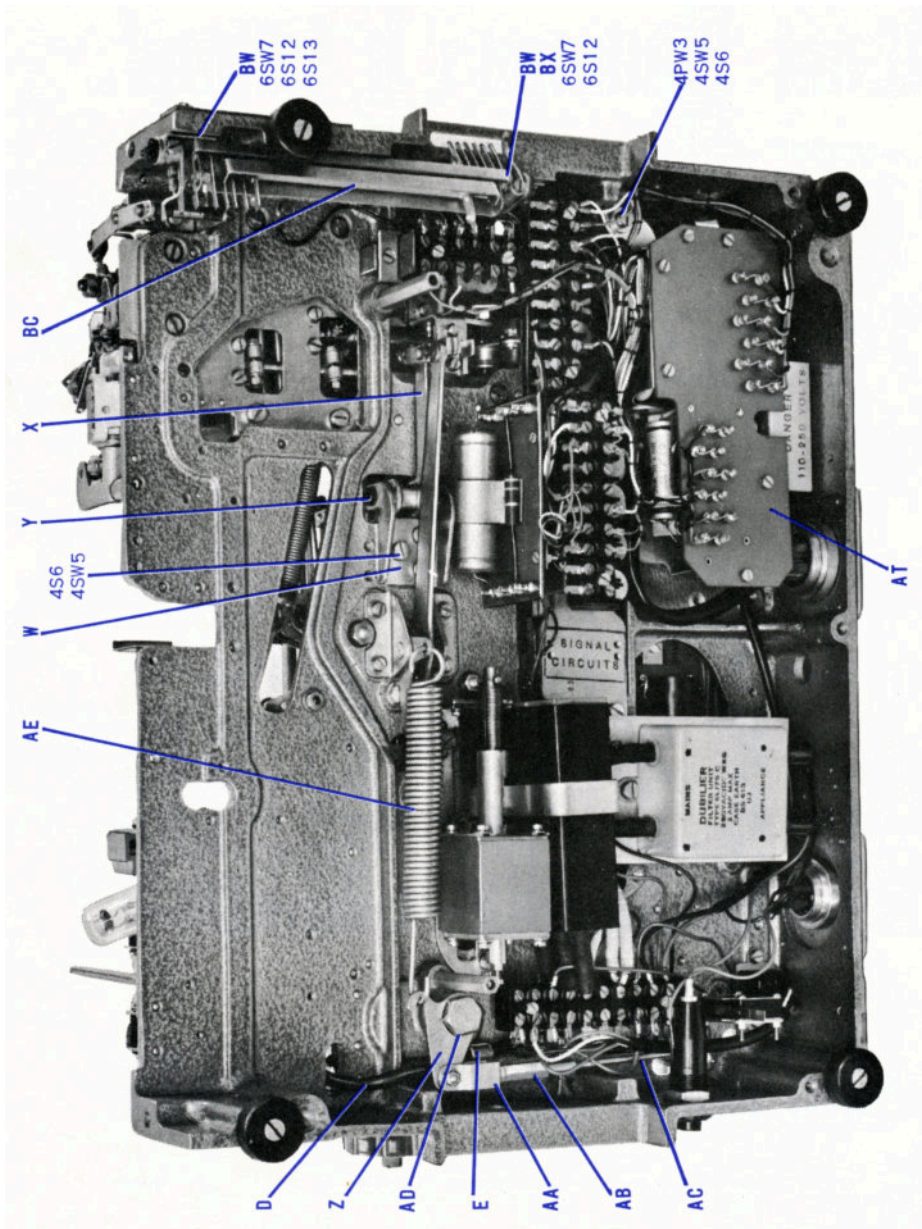


FIG. 7.4 MACHINE SUB-ASSEMBLY S4294 (UNDERSIDE VIEW)

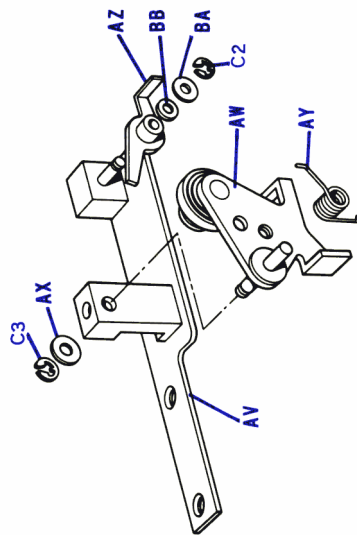


FIG. 7.5 DELAY PLATE CP 4151/37

MACHINE SUB-ASSEMBLY S4294

See Page 81

Index Letter Part No. Part Name

Z 4014/54 Print Spring Link CP includes:-
 AA 4014/51 Print Spring Bellcrank CP
 AB 4014/52 Print Spring Link
 AC 4000/9 Special Nut
 AD P55135 Spring Adjustment Link
 AE P47562 Special Screw
 AF S4020B Tension Spring
 PERIOD OF OPERATION COUNTER

See Page 17

MAIN BASE UNIT
 Cover Plate CP (S.R.B.F.) fitted under Base, not shown
 Cover Plate CP (S.R.B.F.) fitted under Base, not shown
 Special Screw (5 per set) for securing Cover Plate, not shown

AGGREGATE LEVERS ASSEMBLY
 SPRING DRUM AND END OF LINE INDICATOR

Cableform CP
 Cable Clip
 Lamp Guard
 Carriage Return Tape CP
 TYPEHEAD CARRIAGE UNIT
 Typehead Unit Bearing Block Casting CP (2 per assembly) not shown
 Shim (0.005 in.) 3 max, between Item H and 4014/32A

Carriage Link
 Link End Piece
 Compression Spring
 Lubricating Washer
 Lubricating Washer
 SPECIAL WASHER
 RIBBON UNIT
 Ink Ribbon (Black) complete with spool
 Ink Ribbon (Black & Red) complete with spool, for machines fitted with Two Colour Printing facility

TRANSLATOR UNIT
 Tension Spring
 SELECTOR UNIT (Single Speed Model)
 SELECTOR UNIT (Gear Box Model)

Cable Clip (for transmitter/receiver machines)
 Cable Clip (for receiver only machines)
 Cable Clip

MOTOR UNIT (Governed) not shown
 MOTOR UNIT (Synchronous) not shown
 Special Washer (for Governed Motor) not shown
 Special Washer (for Synchronous Motor) not shown

PLATEN UNIT
 Letter Feed Arm Bracket CP includes:-
 Letter Feed Pivot Bracket
 Letter Feed Arm Sub CP
 Special Parallel Pin

Index Letter Part No.

A S4275
 4000/1
 or 4151/174
 P55258

B 4003/63A
 C S4277
 D CP2259
 E PK1159
 F 4000/55
 G 4277/18
 H S4002
 4014/32A

J 2003/277
 K 4002/67
 L 4002/68
 M P65159
 N PF1128
 O P55693
 S4001C
 P BO 2633/1
 or BO 2633/2

Q S4280
 R P67673
 S S4276
 or S4279
 T BO 4063A/5
 or BO 4063A/2

U PK1169
 S4282
 or S4283
 P55716
 or P55881
 S4281
 V 4014/49A
 4014/48
 4014/45A
 P66841

Index Letter Part No.

Z 4014/54
 AA 4014/51
 AB 4014/52
 AC 4000/9
 AD P55135
 AE P47562
 AF S4020B

See Page 51

Comb Bar Reset Lever CP includes:-
 Reset Lever Sub CP
 Reset Lever Bearing Plate
 Threaded Pin
 Special Parallel Pin
 Roller Pivot Keeper
 Special Parallel Pin
 Roller (short) 2 per CP
 Roller
 Selector Frames Rack (used only when Answer Back Unit is not fitted)
 Special Screw

The following parts are only required when the machine is fitted with a Keyboard and is without a Tape Reader Attachment
 COMBINATION BAR RESET LEVER
 AG 4000/15A
 AH 4000/16
 AJ 4000/24
 AK 4000/25A
 AL PP5600
 AM PP6843
 AN 4000/26
 AO PP6842
 AP RL1183
 AQ RL1190
 AR 4000/39
 AS P55673

The following parts are only required when the machine is fitted with a Transmitter SIGNALS RADIO INTERFERENCE SUPPRESSION UNIT
 AT 4275/33

The following parts are only required when the machine is fitted with a Tape Reader Attachment
 AU 4151/37A
 AV 4151/31A
 AW 4151/34A
 AX P55694
 AY P63324
 AZ 4151/39
 BA P55682
 BB PF1201
 BC 4151/222

Delay Plate CP includes:-
 Base Plate CP
 Roller Lever CP
 Washer
 Special Spring
 Disable Lever CP
 Shim
 Lubricating Washer
 Code Frames Assembly

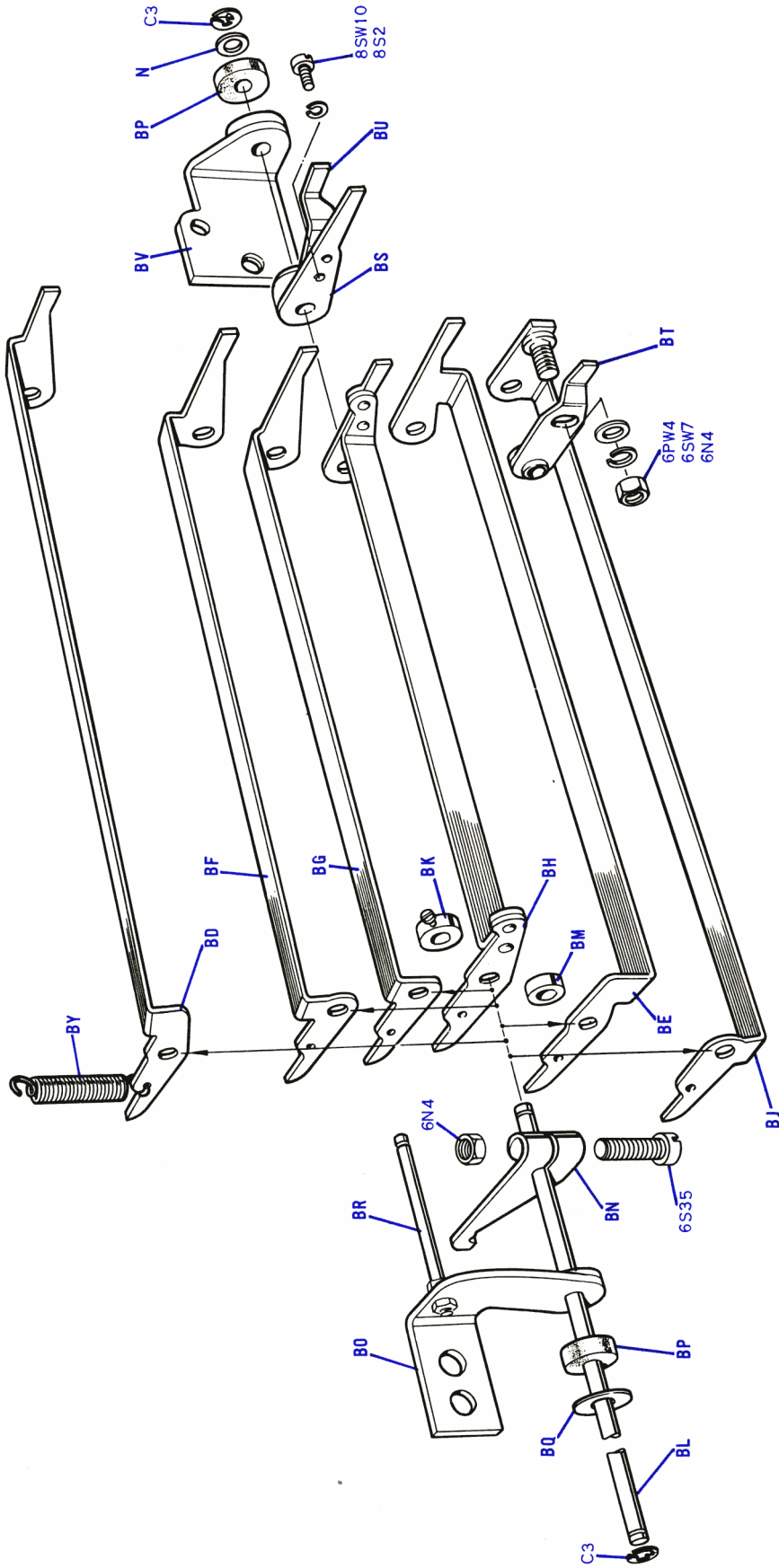


FIG. 7.6 CODE FRAMES ASSEMBLY 4151/222

MACHINE SUB-ASSEMBLY S4294 (Continued)

Index Letter	Part No.	Part Name
		Code Frames Assembly includes:-
BD	4151/222	No.1 Code Frame
BE	4151/132	No.2 Code Frame
BF	4151/133	No.3 Code Frame
BG	4151/134	No.4 Code Frame
BH	4151/135	No.5 Code Frame
BJ	4151/139	Taut Tape Frame CP
BK	4151/291	Set Collar and Screw
BL	CS1016	Spindle
BM	4151/146	Spacer
BN	PW5861	Manual Trip Lever CP
BO	4151/129	Bearing Bracket (LH) CP
BP	4151/143	Lubricating Washer (2 per assembly)
BQ	PF1115	Shim (0.005 in.) 2 per assembly
BR	PW5508	Spring Anchor
BS	PP5664	Manual Trip Interposer CP
BT	4151/131	Taut Tape Interposer CP
BU	4151/292	Trip Arm
BV	4151/170	Bearing Bracket (RH) CP
BW	4151/145	Shim (as required) see Fig.4
BX	4151/147	Washer Plate (see Fig.4)
BY	4151/141	Tension Spring (6 per assembly)
	PG7636	

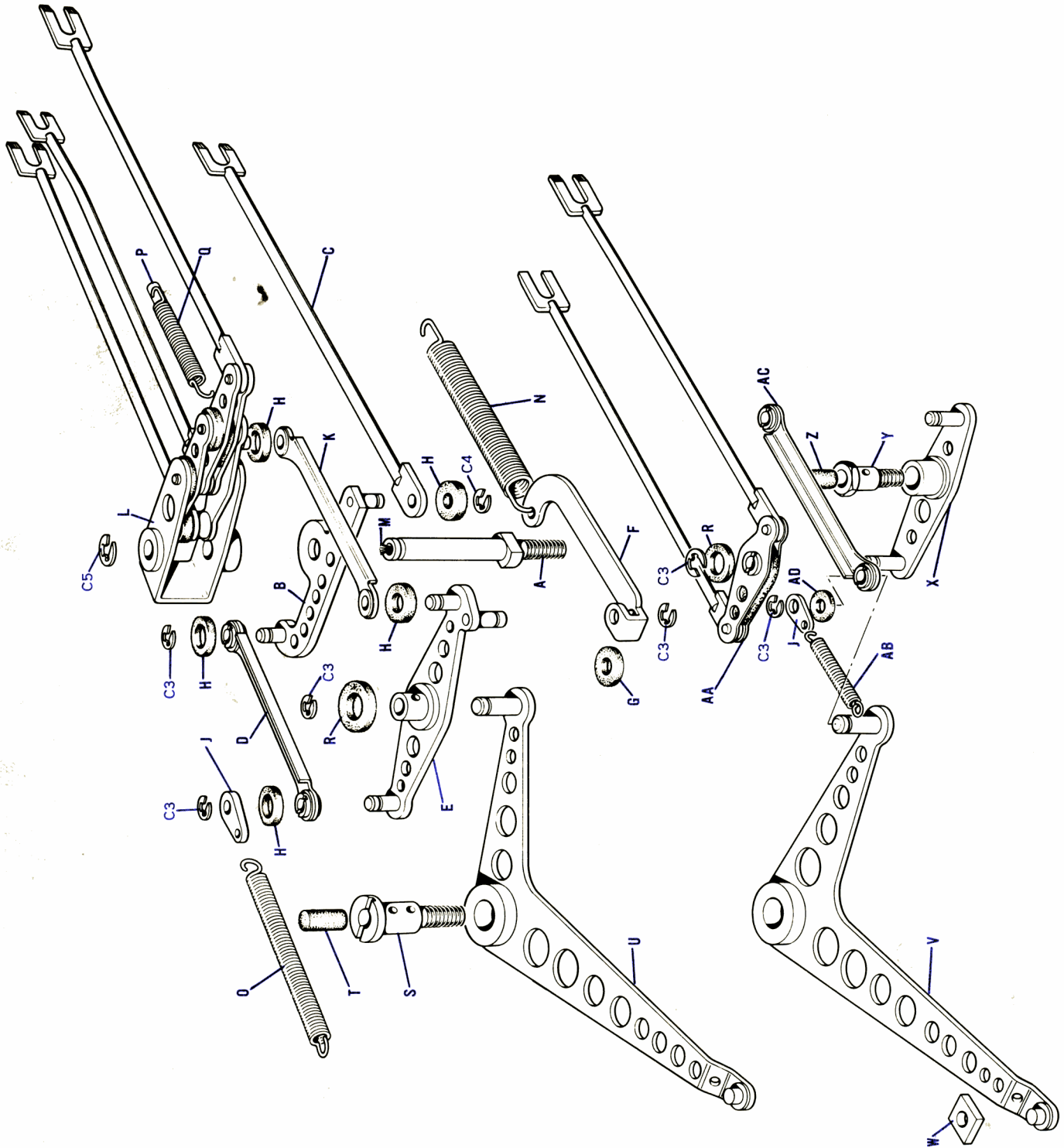


FIG. 7.7 AGGREGATE LEVERS ASSEMBLY

AGGREGATE LEVERS ASSEMBLY

<i>Index Letter</i>	<i>Part No.</i>	<i>Part Name</i>
		Aggregate Lever Assembly includes:-
A	4003/63A	Main Lever Pivot
B	4003/49A	Lower Lever and Push Rod CP includes:-
C	4003/48	Lower Lever CP
D	4003/33A	Push Rod CP (No. 3)
E	4003/57	Long Rear Link CP (same as item AC)
F	4003/51A	Aggregate Lever CP includes:-
G	4003/50	Aggregate Lever Sub CP
H	4003/5A	Anchor Plate
I	PF1116	Lubricating Washer (felt) 2 per CP
J	PF1115	Lubricating Washer (4 per unit) same as item AD
K	4003/28	Anchor Plate
L	4003/56	Long Front Link CP
M	4003/46A	Main Lever Assembly
N	4003/62	Lubricating Wick
O	PG7496	Tension Spring (identity colour green)
P	PG7541	Tension Spring (identity colour orange)
Q	4000/239	Tension Spring CP includes:-
R	PF1206	Spring Damper
S	PG7493A	Tension Spring (identity colours green and blue)
T	PF1114	Lubricating Washer
U	4003/27	Bellcrank Pivot
V	PF1107	Lubricating Felt
W	4003/54A	Rotation Bellcrank CP } includes:-
X	4003/53A	Lift Bellcrank CP }
Y	4003/30A	Trunnion Block
Z	4003/52A	Typehead Lift Lever CP
AA	4003/26	Lift Lever Pivot
AB	PF1108	Lubricating Felt
AC	4003/39A	Lift Link CP
AD	PG7542A	Tension Spring
	4003/57	Long Link CP (same as item D)
	PF1115	Lubricating Washer (2 per assembly) same as item H

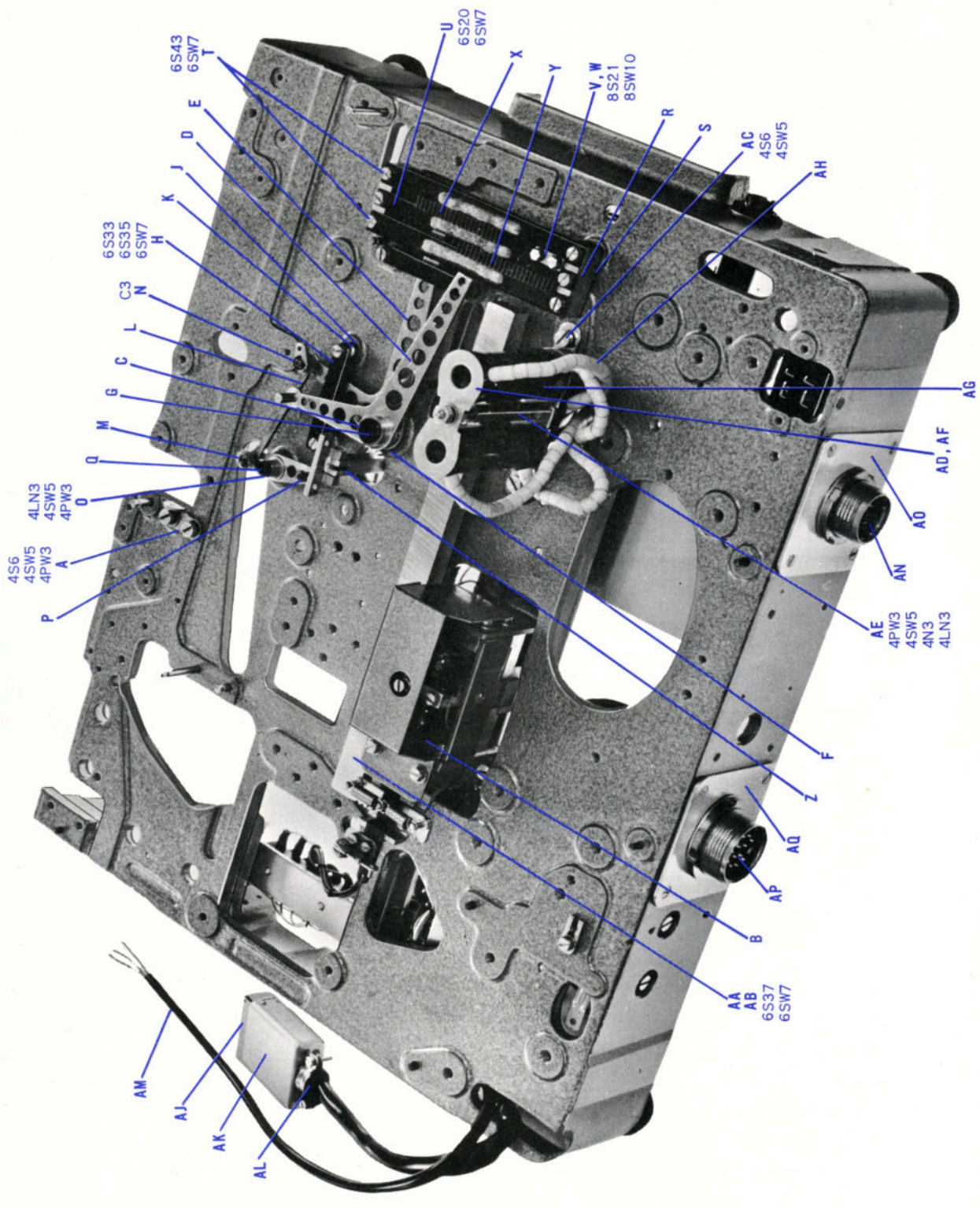


FIG. 7.8 MAIN BASE UNIT S4275 GROUP I—GOVERNED MOTOR (TOP VIEW)

MAIN BASE UNIT S4275 { GROUP 1 Governed Motor
GROUP 2 Synchronous Motor

Index Letter	Part No.	Part Name
A	4014/150	Spring Anchor Plate
B	S4284	ELECTROMAGNET UNIT
C	4003/27	TYPEHEAD ROTATION AND LIFT MECHANISM
D	4003/54A	Bellcrank Pivot
E	4003/53A	Rotation Bellcrank CP } includes:-
F	4003/30A	Lift Bellcrank CP } includes:-
G	PP5675	Trunnion Block (not shown) see item W Fig.7
H	PP1107	Special Washer
I	4003/16	Lubrication Plug
J	4003/17	Upper Guide Strip } 2 per unit
K	PB4403	Lower Guide Strip } 2 per unit
L	4003/57	Spacing Collar (4 per unit)
M	PP1115	Long Link CP
N	4003/28	Lubricating Washer (2 per unit)
O	4003/26	Anchor Plate
P	4003/52A	Lift Lever Pivot
Q	PP1108	Lift Lever CP
R	4003/13	Lubricating Felt
S	4014/203	Rack Support Block (2 per unit)
T	4003/59	Shim (as required)
U	4003/58	Wide Rack Guide CP (2 per unit)
V	4003/67A	Narrow Rack Guide CP
W	4003/66	Stop Block
X	4003/11	Top Clamp Plate
Y	4003/10	Typehead Lift Rack
		Typehead Rotation Rack

See Page 29

Index Letter	Part No.	Part Name
		PRINT FUNCTION (BASE MECHANISM)
Z	4014/38	Print Rail Coupling CP
AA	4014/41	Corrector Track Rail
AB	PP5597	Threaded Pin (2 per unit)
		GOVERNOR RESISTOR UNIT (for Governed Motors only)
	4014/12	Governing Resistor Unit CP includes:-
AC	4014/11	Resistor Base Plate
AD	4014/10	Resistor Clip (2 per CP)
AE	PP5598	Threaded Pin
AF	PP5746	Special Washer (2 per CP)
AG	4014/9	Resistor CP includes:-
AH	BO 3815/7	Resistor 620 ohm, ± 5% 15W
	BO 1701	Insulating Bead (60 per CP)
		TRANSMITTER UNIT TERMINAL STRIP
AJ	4275/21	Transmitter Cableform CP includes:-
AK	BO 7733/2	18-way Socket (McMurdo MS118)
AL	BO 7733/7	Socket Cover (McMurdo MCI18A)
AM	BO 7800/4	Grommet
	or 4016/114	Bell and WRU? Cable CP
	or 4016/115	Bell Cable CP
	or 4016/116	WRU? Cable CP
		BASE CONNECTORS
AN	4275/26	3-way Plug and Plate CP (Governed Motor) includes:-
AO	BO 3816/1	3-way Plug (Plessey Z560060)
	4275/27	Fixing Plate (3-way plug)
	or 4275/28	3-way Plug and Plate CP (Synchronous Motor) includes:-
	BO 3816/1	3-way Plug (Plessey Z560060) same as item AN
	4275/27	Fixing Plate (3-way plug) same as item AN
	4275/15	12-way Plug CP includes:-
AP	BO 3811/1	12-way Plug (Plessey Z560150)
AQ	4275/14	Fixing Plate

MAIN BASE UNIT S4275 (Continued)

Index Letter	Part No.	Part Name	Index Letter	Part No.	Part Name
AS	RB1020	Rubber Foot	RU	4275/18	Filter Unit Base Plate
AT	PS7238	Special Screw	BV	4275/17	Pillar (2 per unit)
AU	PW5719	Pivot Washer	BW	BO 2932A	Fuse Carrier (Belling L1348) same as item CM
AV	4014/68	Support Pillar (2 per unit)	BX	BO 4046/3	Fuse, 1.5 amp (for 100/125 volts)
AW	4014/31	Support Bracket		or BO 4046/4	Fuse, 1.0 amp (for 200/210 volts) same as item CV
AX	4014/30	Pivot Bracket CP	BY	BO 4046/2	Fuse, 0.7 amp (for 220/230 volts)
AY	4014/40	Print Beam CP	BZ	CF5133	Connexion Plate (same as item OQ)
AZ	4014/35	Beam Actuating Lever CP	CA	CB1152	Connexion Tag (as required) same as item CP
BA	PF1155	Lubricating Washer (2 per unit)	CB	CB1151	Terminal Strip (10-way) 2 per unit (same as item OQ)
BB	PF6840	Parallel Pin		or CB1152	Terminal Strip (6-way) same as item CR
BC	PF1116	Lubricating Washer (2 per unit)		or CB1151	Terminal Strip (6-way) same as item CR
BD	PS5134	Special Screw		or CB1151	Terminal Strip (6-way) same as item CR
BE	PW5681	Shim Washer (0.003 in.) 7 per unit max.		or CB1151	Terminal Strip (6-way) same as item CR
BF	4014/5	Starter Switch Bracket		or CB1151	Terminal Strip (6-way) same as item CR
BG	4014/6	Starter Switch and Cableform		or CB1151	Terminal Strip (6-way) same as item CR
BH	4014/137	Starter Switchguard CP		or CB1151	Terminal Strip (6-way) same as item CR
BI	4275/10	Electromagnet Spark Quench CP includes:-		or CB1151	Terminal Strip (6-way) same as item CR
BJ	4275/9	Tagboard CP		or CB1151	Terminal Strip (6-way) same as item CR
BK	BO 5201/11	Capacitor 0.5 µf, 400V		or CB1151	Terminal Strip (6-way) same as item CR
BL	PK2063	Clamp		or CB1151	Terminal Strip (6-way) same as item CR
BM	4014/134	Bracket (2 per CP)		or CB1151	Terminal Strip (6-way) same as item CR
BN	BO 2636/1	Resistor 330 ohm, ± 10% ½W		or CB1151	Terminal Strip (6-way) same as item CR
BO	4014/67D	Dashboard CP (see page 25)		or CB1151	Terminal Strip (6-way) same as item CR
MOTOR CONNEXIONS AND BASE COMPONENTS (GOVERNED MOTORS ONLY)					
BP	BO 7601/3	Motor Connexion Socket CP includes:-		or CB1151	Terminal Strip (6-way) same as item CR
BQ	4014/184	4-way Socket (Painton S ₄ /MFS) same as item CC		or CB1151	Terminal Strip (6-way) same as item CR
BR	BO 4148	Capacitor CP includes:-		or CB1151	Terminal Strip (6-way) same as item CR
BS	PF5127	Capacitor 1.0 + 1.0 µf, + 40% - 10% 325V		or CB1151	Terminal Strip (6-way) same as item CR
BT	PK2056	Insulating Strip		or CB1151	Terminal Strip (6-way) same as item CR
	4275/25	Filter Unit CP includes:-		or CB1151	Terminal Strip (6-way) same as item CR
	BO 5567/1	Suppressor (Dubilier 6L/75C)		or CB1151	Terminal Strip (6-way) same as item CR
MOTOR CONNEXIONS AND BASE COMPONENTS (GOVERNED MOTORS ONLY)					
CC	BO 7601/3	4-way Socket (Painton S ₄ /MFS) same as item BP		or CB1151	Terminal Strip (6-way) same as item CR
CD	BO 4092/6	Capacitor 2.0 µf, 440V (230/250V)		or CB1151	Terminal Strip (6-way) same as item CR
	or BO 4092/7	Capacitor 2.5 µf, 440V (200/220V)		or CB1151	Terminal Strip (6-way) same as item CR
	or BO 4092/5	Capacitor 7.75 µf, 250V (115/125V)		or CB1151	Terminal Strip (6-way) same as item CR
CE	4275/32	Capacitor Strap		or CB1151	Terminal Strip (6-way) same as item CR
CF	4014/199	Support Block		or CB1151	Terminal Strip (6-way) same as item CR
CG	PK1203	Capacitor Clip		or CB1151	Terminal Strip (6-way) same as item CR
CH	BO 4122/1	Electrolytic Capacitor CP includes:-		or CB1151	Terminal Strip (6-way) same as item CR
	or BO 4122/3	Capacitor 64 µf, 150V (for 100/125 Volt motors)		or CB1151	Terminal Strip (6-way) same as item CR
	or BO 4122/3	Capacitor 15 µf, 350V (for 200/250 Volt motors)		or CB1151	Terminal Strip (6-way) same as item CR
CJ	PK4764	Bush (for 100/125 Volt working)		or CB1151	Terminal Strip (6-way) same as item CR
CK	PK1120	Capacitor Clip (for 100/125 Volt working)		or CB1151	Terminal Strip (6-way) same as item CR
	or 4275/5	Capacitor Clip (for 200/250 Volt working)		or CB1151	Terminal Strip (6-way) same as item CR
CL	BO 3549/8	Resistor CP includes:-		or CB1151	Terminal Strip (6-way) same as item CR
CM	BO 2932A	Resistor 3.3k, ± 5% 3W		or CB1151	Terminal Strip (6-way) same as item CR
CN	BO 4046/5	Fuse Carrier (Belling L1348) same as item BW		or CB1151	Terminal Strip (6-way) same as item CR
	or BO 4046/4	Fuse, 2.5 amp (for 110/125 Volts)		or CB1151	Terminal Strip (6-way) same as item CR
CO	4275/11	Fuse, 1.0 amp (for 220/250 Volts) same as item BX		or CB1151	Terminal Strip (6-way) same as item CR
CP	CF5133	Connexion Plate (same as item BY)		or CB1151	Terminal Strip (6-way) same as item CR
CQ	CB1152	Connexion Tag (same as item BZ)		or CB1151	Terminal Strip (6-way) same as item CR
CR	CB1151	Terminal Strip (10-way) 2 per unit (same as item CA)		or CB1151	Terminal Strip (6-way) same as item CR
TRANSMITTER UNIT TERMINAL STRIP					
CS	CB1152	Terminal Strip (10-way) 2 per unit (same as item CA)		or CB1151	Terminal Strip (6-way) same as item CR
CT	4014/163	Connexion Block Bracket		or CB1151	Terminal Strip (6-way) same as item CR
CU	PW5308	Special Washer		or CB1151	Terminal Strip (6-way) same as item CR
	4275/49	Cable Cleat		or CB1151	Terminal Strip (6-way) same as item CR
CV	BO 4063A/5	Cable Clip (for receiver only machines)		or CB1151	Terminal Strip (6-way) same as item CR
	4275/33	Signals R.L.S. Unit		or CB1151	Terminal Strip (6-way) same as item CR
CW	4176/44	Cover Plate		or CB1151	Terminal Strip (6-way) same as item CR

See Page 79

MAIN BASE UNIT S4275 { *GROUP 1 Governed Motor*
GROUP 2 Synchronous Motor

Index Letter	Part No.	Part Name
A	4014/150	Spring Anchor Plate
ELECTROMAGNET UNIT		
B	S4284	ELECTROMAGNET UNIT
TYPEHEAD ROTATION AND LIFT MECHANISM		
C	4003/27	Bellcrank Pivot
D	4003/54A	Rotation Bellcrank CP } includes:-
E	4003/53A	Lift Bellcrank CP } includes:-
F	4003/30A	Trunnion Block (not shown) see item W Fig.7
G	PF5675	Special Washer
H	PF1107	Lubrication Plug
I	4003/16	Upper Guide Strip } 2 per unit
J	4003/17	Lower Guide Strip } 2 per unit
K	PB4403	Spacing Collar (4 per unit)
L	4003/57	Long Link CP
M	PF1115	Lubricating Washer (2 per unit)
N	4003/28	Anchor Plate
O	4003/26	Lift Lever Pivot
P	4003/52A	Lift Lever CP
Q	PF1108	Lubricating Felt
R	4003/13	Rack Support Block (2 per unit)
S	4014/203	Shim (as required)
T	4003/59	Wide Rack Guide CP (2 per unit)
U	4003/58	Narrow Rack Guide CP
V	4003/67A	Stop Block
W	4003/66	Top Clamp Plate
X	4003/11	Typehead Lift Rack
Y	4003/10	Typehead Rotation Rack
Z	4014/38	Print Rail Coupling CP
AA	4014/41	Corrector Track Rail
AB	PP5597	Threaded Pin (2 per unit)
GOVERNOR RESISTOR UNIT (for Governed Motors only)		
AC	4014/11	Governing Resistor Unit CP includes:-
AD	4014/10	Resistor Base Plate
AE	PP5598	Resistor Clip (2 per CP)
AF	PW5746	Threaded Pin
AG	4014/9	Special Washer (2 per CP)
AH	BO 3815/7	Resistor CP includes:-
AI	BO 1701	Resistor 620 ohm, ± 5% 15W
		Insulating Bead (60 per CP)
TRANSMITTER UNIT TERMINAL STRIP		
AJ	4275/21	Transmitter Cableform CP includes:-
AK	BO 7733/2	18-way Socket (McMurdo MS118)
AL	BO 7733/7	Socket Cover (McMurdo MCI18A)
AM	BO 7800/4	Grommet
		Bell and WRU? Cable CP
		Bell Cable CP
		WRU? Cable CP
BASE CONNECTORS		
AN	4275/26	3-way Plug and Plate CP (Governed Motor) includes:-
AO	BO 3816/1	3-way Plug (Plessey Z560060)
		Fixing Plate (3-way plug)
		3-way Plug and Plate CP (Synchronous Motor) includes:-
		3-way Plug (Plessey Z560060) same as item AN
		Fixing Plate (3-way plug) same as item AN
		12-way Plug CP includes:-
		12-way Plug (Plessey Z560150)
		Fixing Plate

See Page 29

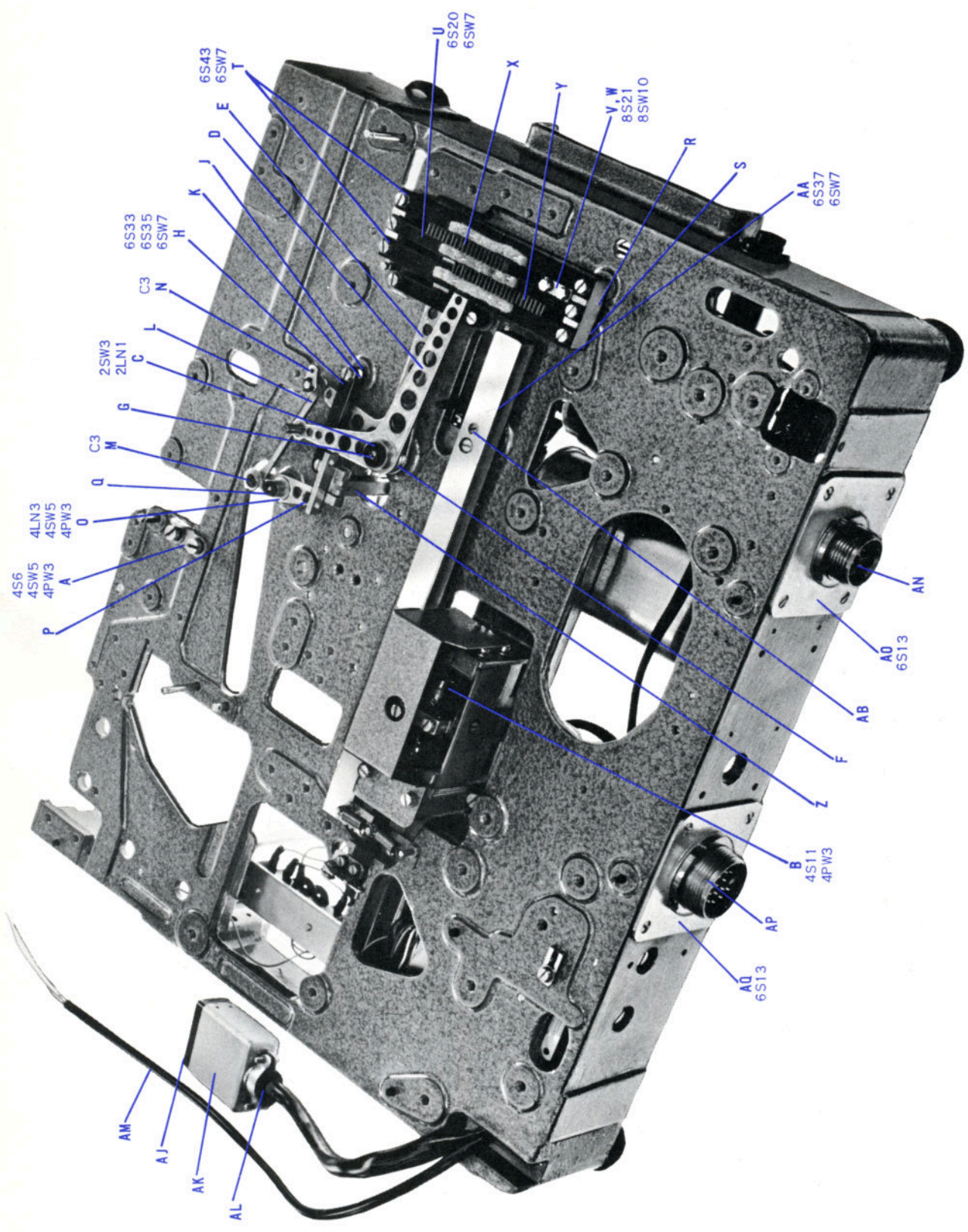


FIG. 7.11 MAIN BASE UNIT S4275 GROUP 2—SYNCHRONOUS MOTOR (UNDERSIDE VIEW)

MAIN BASE UNIT S4275 (Continued)

Index Letter	Part No.	Part Name	Index Letter	Part No.	Part Name
CASTING, FEET AND BASE PLATE SUPPORTS					
AR	4275/23	Base Casting and Pins CP (comprises machined and enamelled casting with pins driven in)	BU	4275/18	Filter Unit Base Plate
AS	RB1020	Rubber Foot	BV	4275/17	Pillar (2 per unit)
AT	PS7238	Special Screw	BW	BO 2932A	Fuse Carrier (Belling L1348) same as item CM
AU	PW5719	Special Washer	BX	BO 4046/3	Fuse, 1.5 amp (for 100/125 volts)
AV	4014/68	Support Pillar (2 per unit)		or BO 4046/4	Fuse, 1.5 amp (for 200/240 volts) same as item CN
PRINT FUNCTION (BASE MECHANISM)				or BO 4046/2	Fuse, 0.7 amp (for 220/230 volts)
AW	4014/31	Support Bracket	BY	4275/11	Connexion Plate (same as item CD)
AX	4014/30	Pivot Bracket CP	BZ	CT5133	Connexion Tag (as required) same as item CP
AY	4014/40	Print Beam CP	CA	CB1152	Terminal Strip (6-way) 2 per unit (same as item CQ)
AZ	4014/35	Beam Actuating Lever CP	CB	CB1151	Terminal Strip (6-way) same as item CR
BA	PF1155	Lubricating Washer (2 per unit)	MOTOR CONNEXIONS AND BASE COMPONENTS (SYNCHRONOUS MOTORS ONLY)		
BB	PF6840	Parallel Pin	CC	4275/24	Motor Connexion Socket CP includes:-
BC	PF1116	Lubricating Washer (2 per unit)		BO 7601/3	4-way Socket (Painton S4/MFS) same as item BP
BD	PS5134	Special Screw	CD	4275/30	Motor Capacitor CP includes:-
BE	PW5681	Shim Washer (0.003 in.) 7 per unit max.		BO 4092/6	Capacitor 2.0 µf, 440V (230/250V)
STARTER SWITCH				or BO 4092/7	Capacitor 2.5 µf, 440V (200/220V)
BF	4014/5	Starter Switch Bracket		or BO 4092/5	Capacitor 7.75 µf, 250V (115/125V)
BG	4014/6	Starter Switch and Cableform	CE	4275/32	Capacitor Strap
BH	4014/137	Starter Switchguard CP	CF	4014/199	Support Block
ELECTROMAGNET SPARK QUENCH			CG	PK1203	Capacitor Clip
BJ	4275/10	Electromagnet Spark Quench CP includes:-	CH	BO 4122/1	Electrolytic Capacitor CP includes:-
BK	BO 5201/11	Tagboard CP		BO 4122/3	Capacitor 64 µf, 150V (for 100/125 Volt motors)
BL	PK2063	Clamp	CJ	FB4764	Capacitor 15 µf, 350V (for 200/250 Volt motors)
BM	4014/134	Bracket (2 per CP)	CK	PK1120	Bush (for 100/125 Volt working)
BN	BO 2636/1	Resistor 330 ohm, ± 10% ½W		or 4275/5	Capacitor Clip (for 200/250 Volt working)
BO	4014/67D	Dashboard CP (see page 25)	CL	BO 3549/8	Resistor CP includes:-
MOTOR CONNEXIONS AND BASE COMPONENTS (GOVERNED MOTORS ONLY)				BO 4014/399	Resistor 3.3k, ± 5% 3W
4275/24		Motor Connexion Socket CP includes:-	CM	BO 2932A	Fuse Carrier (Belling L1348) same as item BW
		4-way Socket (Painton S4/MFS) same as item CC	CN	BO 4046/5	Fuse, 2.5 amp (for 110/125 Volts)
BP	BO 7601/3	Capacitor 0.5 µf, 400V		or BO 4046/4	Fuse, 1.0 amp (for 220/230 Volts) same as item BX
BQ	BO 4148	Capacitor CP includes:-	CO	4275/11	Connexion Plate (same as item BY)
BR	PF5127	Capacitor 1.0 + 1.0 µf, + 40% - 10% 325V	CP	CT5133	Connexion Tag (same as item BZ)
BS	PK2036	Insulating Strip	CQ	CB1152	Terminal Strip (10-way) 2 per unit (same as item CA)
BT	BO 5587/1	Filter Unit CP includes:-	CR	CB1151	Terminal Strip (6-way) same as item CB
		Suppressor (Dubilier 6L/75C)	TRANSMITTER UNIT TERMINAL STRIP		
				CB1152	Terminal Strip (10-way) 2 per unit (same as item CA)
			CS	4014/163	Connexion Block Bracket
			CT	PW5308	Special Washer
			CU	4275/49	Cable Cleat
			CW	BO 4063A/5	Cable Clip (for receiver only machines)
				4275/33	Signals R. I. S. Unit
			CN	4176/44	Cover Plate

See Page 79

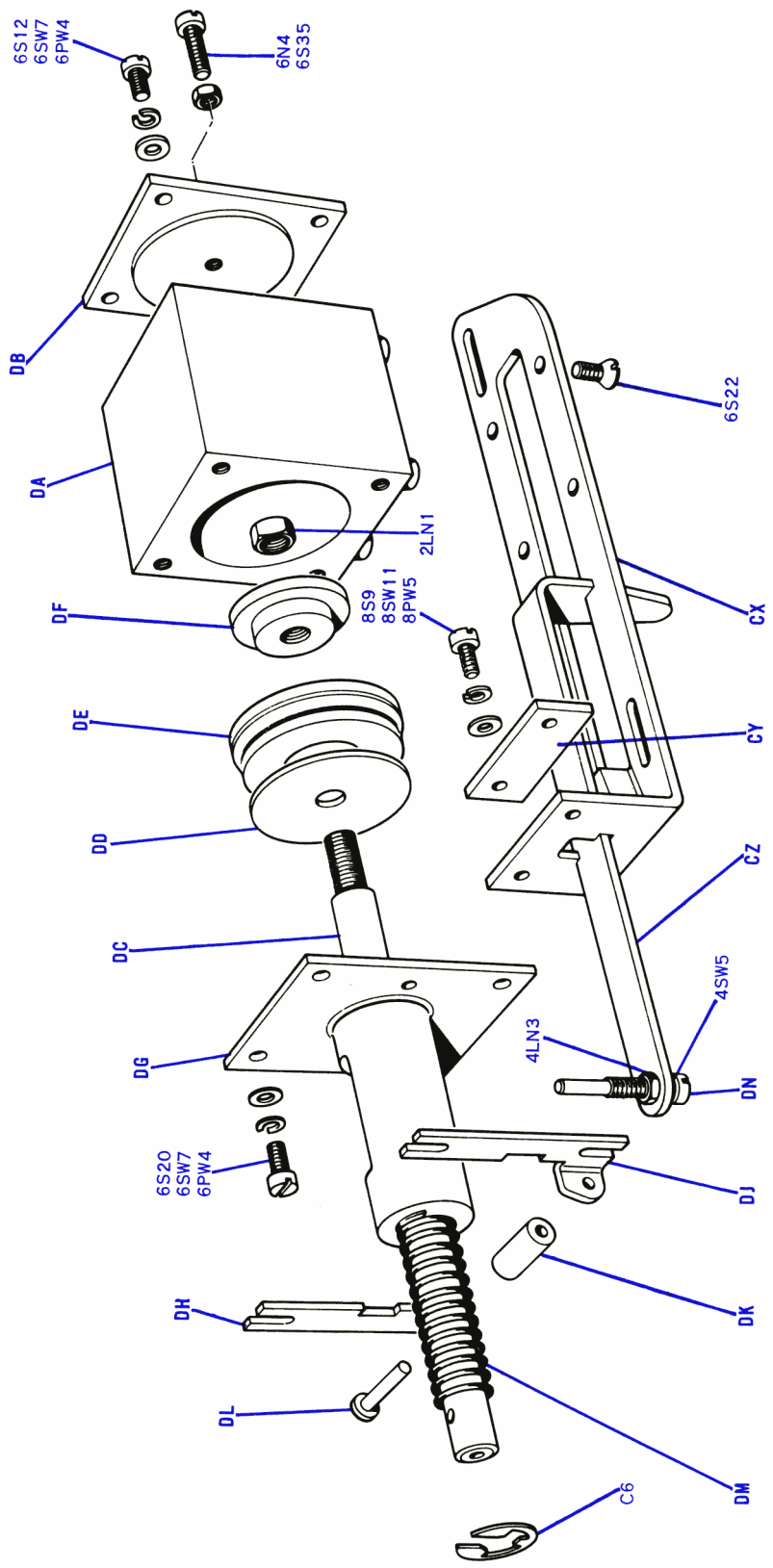


FIG. 7.12 DASHPOT CP 4014/67D

MAIN BASE UNIT S4275 (Continued)

Index Letter	Part No.	Part Name
		Dashpot CP includes:-
		Mounting Bracket CP includes:-
		Connecting Link Guide
		Dashpot Connecting Link
		Cylinder CP includes:-
		Dashpot Cylinder Casting
		Back Plate
		Piston Rod CP includes:-
		Piston Rod
		Special Washer
		Dashpot Piston Washer
		Clamping Washer
		Dashpot Valve
		Roller Bracket (RH)
		Roller Bracket (LH)
		Connecting Link Roller
		Roller Pivot Pin
		Dashpot Return Spring
		Link Screw
		DASHPOT MECHANISM
		4014/67D
CX	4014/213	
CY	4014/212	
CZ	4014/216	
	40-4/181B	
DA	4014/172B	
DB	4014/174	
	4014/180	
DC	4014/58A	
DD	PW5805	
DE	4014/190	
DF	PW5796	
DG	4014/70B	
DH	4014/215	
DJ	4014/214	
DK	RL1217	
DL	PP8010	
DM	PG7578	
DN	PS6525	

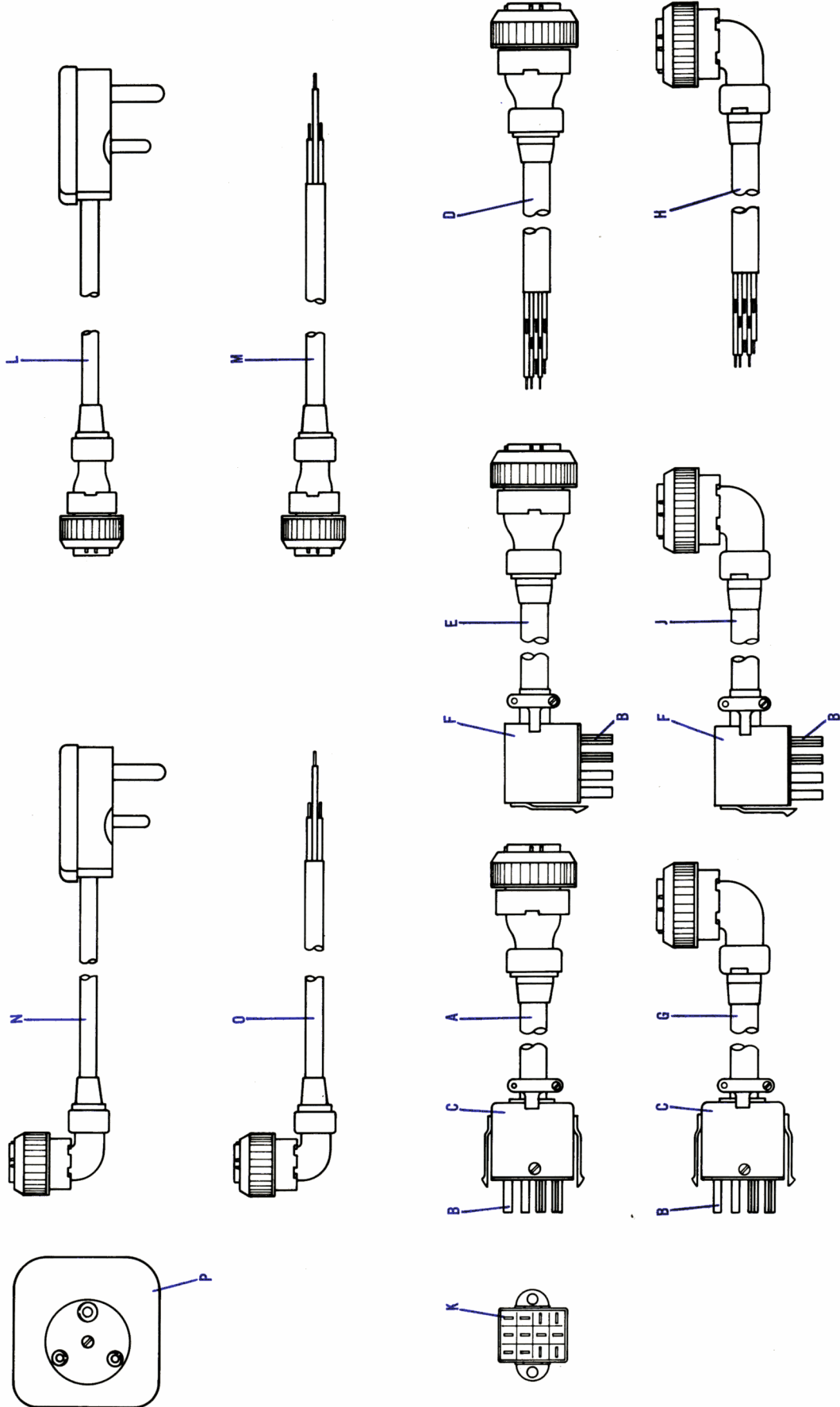
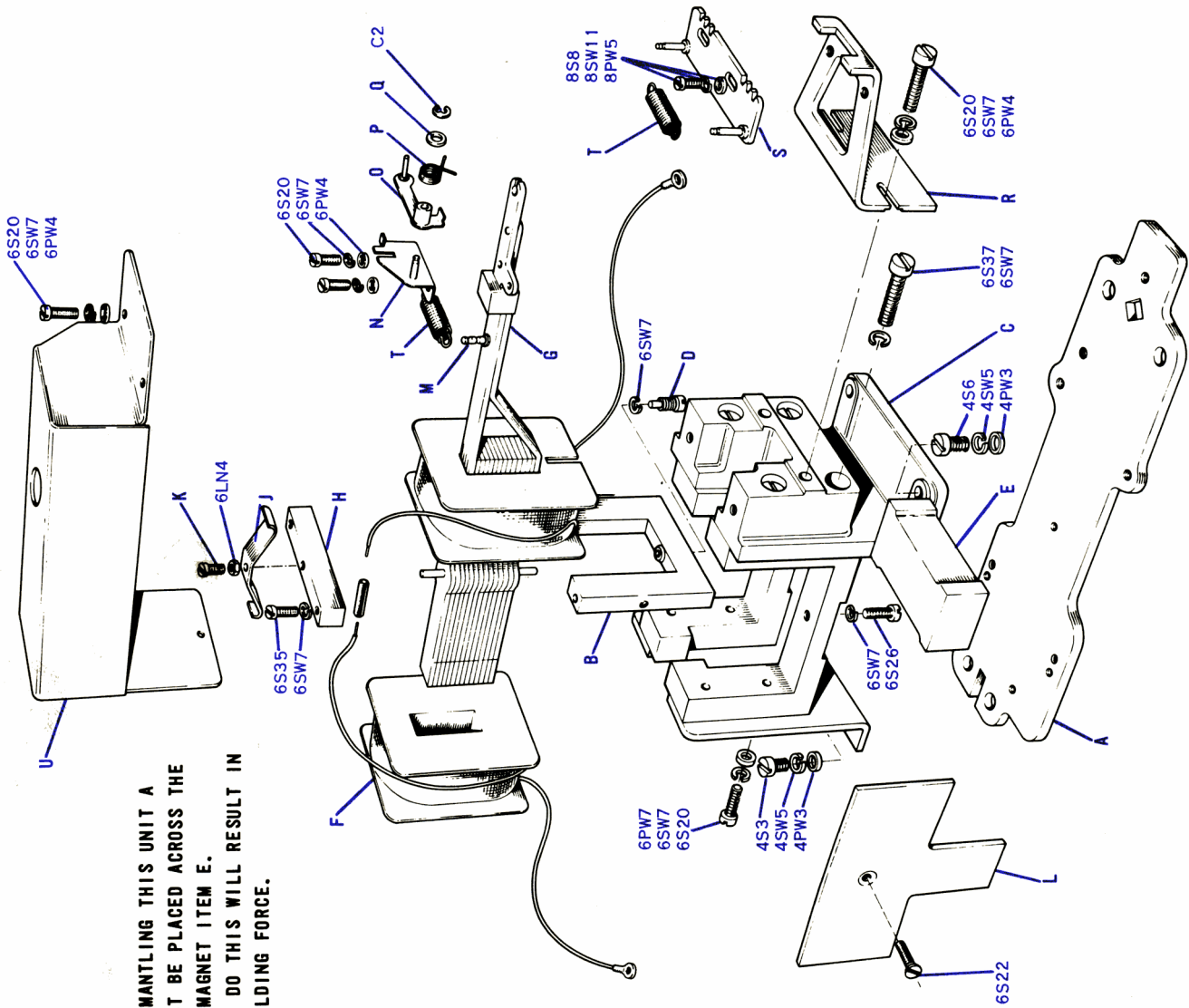


FIG. 7.13 PLUGS AND CORDS ARRANGEMENTS

PLUGS AND CORDS ARRANGEMENTS

Index Letter	Part No.	Part Name
* EXTERNAL SIGNAL PLUG AND CORDS ARRANGEMENTS		
A	CD1715	12-way Plug and Socket Signal Cord Assembly includes:-
B	BO 7605/3	12-way Plug (Painton Inner Assy P12)
C	BO 7605/9	12-way Top Entry Cover (Painton 12/CT/R2E)
D	CD1648	12-way Socket Signal Cord Assembly
E	CD1649	12-way Plug and Socket Signal Cord Assembly includes:-
B	BO 7605/3	12-way Plug (Painton Inner Assy P12)
F	BO 7605/10	12-way Side Entry Cover (Painton 12/CT/R1E)
G	CD1817	12-way Plug and Socket Signal Cord Assembly includes:-
B	BO 7605/3	12-way Plug (Painton Inner Assy P12)
C	BO 7605/9	12-way Top Entry Cover (Painton 12/CT/R2E)
H	CD1816	12-way Socket and Signal Cord Assembly
J	CD1710	12-way Plug and Socket Signal Cord Assembly includes:-
B	BO 7605/3	12-way Plug (Painton Inner Assy P12)
F	BO 7605/10	12-way Side Entry Cover (Painton 12/CT/R1E)
K	BO 7605/4	12-way Socket (Painton S.12/MFS)
* POWER PLUGS AND CORDS ARRANGEMENTS		
L	CD1647	3-way Plug and Socket Power Cord Assembly
M	CD1646	3-way Socket and Power Cord Assembly
N	CD1819	3-way Plug and Socket Power Cord Assembly
O	CD1818	3-way Socket and Power Cord Assembly
P	BO 2670A	3 pin 5 amp Socket (G.E.C. S4803)

* Customers should state the length required when ordering spare connexion cords



WARNING.
 BEFORE DISMANTLING THIS UNIT A
 KEEPER MUST BE PLACED ACROSS THE
 PERMANENT MAGNET ITEM E.
 FAILURE TO DO THIS WILL RESULT IN
 LOSS OF HOLDING FORCE.

FIG. 7.14 ELECTROMAGNET UNIT S4284

ELECTROMAGNET UNIT S4284

Index Letter	Part No.	Part Name
		Base Plate
		Field Unit CP includes:-
		Centre Support CP
		Field Core Grinding CP
		Lower Armature Pivot Screw
		Magnet
		Magnet Coil (2 per unit) (50V and 100V units only)
		Magnet Coil (2 per unit) (12V and 24V units only)
		Armature CP
		Bearing Housing CP
		Retaining Spring
		Upper Armature Pivot Screw
		Coil Retaining Flate (2 per unit)
		Special Anchor Pin
		Armature Link Pivot Bracket CP
		Armature Link CP
		Torsion Spring
		Special Washer
		Armature Stop Bracket CP includes:-
		Armature Stop Bracket
		Anchor Bar
		Tension Spring (2 per unit)
		Cover CP
		Base Plate
		Field Unit CP includes:-
		Centre Support CP
		Field Core Grinding CP
		Lower Armature Pivot Screw
		Magnet
		Magnet Coil (2 per unit) (50V and 100V units only)
		Magnet Coil (2 per unit) (12V and 24V units only)
		Armature CP
		Bearing Housing CP
		Retaining Spring
		Upper Armature Pivot Screw
		Coil Retaining Flate (2 per unit)
		Special Anchor Pin
		Armature Link Pivot Bracket CP
		Armature Link CP
		Torsion Spring
		Special Washer
		Armature Stop Bracket CP includes:-
		Armature Stop Bracket
		Anchor Bar
		Tension Spring (2 per unit)
		Cover CP

TRANSLATOR UNIT 1st STAGE
CP 4280/2 { *GROUP 1 for machines without a Reperforating Attachment*
GROUP 2 for machines with a Reperforating Attachment

Index Letter	Part No.	Part Name	Index Letter	Part No.	Part Name
BASE PLATE AND LINE FEED BRACKET					
	4280/1 GRP1	Translator Unit Base Plate CP includes:-	AO	PW5687	Special Washer
A	4010/601	Base Plate Sub CP	AP	PW5755	Special Washer
B	4151/64	Line Feed Bracket CP includes:-	AQ	4010/6	Traverse Cam Thrust Washer
C	4151/62B	Line Feed Bracket CP	AR	4010/95B	Traverse Cam CP
D	PF6828	Peckers Withdrawal Lever Sub CP	AS	PF1124	Lubricating Plug (3 per CP)
E	PF4489A	Special Parallel Pin	AT	4010/462	Retention Frame CP
F	PF4499	Bush	AU	4010/466A	Rocker Arm CP (includes felt plug)
G	4010/11	Spring Anchor Plate (2 per CP)	AV	PF5615	Rocker Arm Pivot
H	PF5688	Special Washer	AW	PF4731	Hexagon Bush
J	PG3174	Line Feed Return Spring	AX	PB4732	Rocker Arm Bearing Bush
K	4010/88A	Line Feed Bridge Lever CP	AY	RL1209	Cam Roller
L	4010/465	Retention Frame Guide	AZ	PF7996	Roller Pivot
M	4010/12A	Strike Bearing (2 per CP)	BA	PF5616	Anchor Pin
STRIKER AND TRAVERSE SHAFTS					
N	4010/93	Striker Shaft Sub CP	BB	EC1593	Eccentric Square
O	4010/105	Pecker Frame CP includes:-	BC	PG5152	Compression Spring
P	4010/108	Pecker	BD	PF1162	Lubrication Plug
Q	PF1136	Lubricating Plug	BE	4010/38C	Pin Resetting Frame
R	4010/109	Lubricating Plug Retainer	BF	4010/3A	Retaining Bush
S	4010/635	Retaining Plate	BG	PP2042	Parallel Pin
T	PG7481A	Tension Spring	BH	PG7592A	Tension Spring
U	PS5136	Special Screw (2 per CP)	MAIN CAMSHAFT AND CAM ASSEMBLY		
V	PW5190	Special Washer (4 per CP)	BJ	4010/53	Keyboard Reset Cam 'W'
W	4010/22	Traverse Front Bearing	BK	4010/28B	Cam Spacer
X	4010/91	Traverse Rear Bearing CP	BL	PW5679	Special Washer (2 per unit)
Y	4010/521	Detachable Traverse Shaft CP includes:-	BM	4280/14	Compensator Cam 'VA'
Z	4010/524	Traverse Shaft Sub CP	BN	PB4496B	Bush
AA	RL1212	Roller	BO	KY1077	Key
AB	4010/526	Drawbolt	BP	BO.2575	Ballrace (BS292 - BRE 1/4)
AC	4010/525	Traverse Link Lever CP	BQ	PB4500	Bush (used on Group 1 only)
AD	PF5705	Special Washer	BR	4010/58	Answer Back Cam 'U'
AE	PF1125	Lubrication Washer	BS	4010/37	Cam Spacer
AF	PW5232	Shim	BT	GR2202	Traverse Drive Gear
AG	4010/111B	Traverse Link CP	BU	KY1042A	Key
AH	PG7639	Tension Spring	BV	PW5754	Special Washer
TRAVERSE CAMSHAFT					
AJ	4280/35	Traverse Camshaft CP includes:-	BW	PB4503	Bush
AK	4010/77	Front Camshaft Bearing Block	BX	4010/42A	Retention and Pin Reset Cam 'T'
AL	4280/7	Selector Traverse Shaft	BY	PW5739	Shim (0.005 in.) quantity as required
AM	RL1261	Compensator Lever CP includes:-	BZ	4010/68A	Cam Spacer (12 per unit)
AN	PN5140	Roller	CA	4010/57	Print and Feed Control Cam 'S'
		Special Nut	CB	4010/1	Cam Spacer
			CC	4010/63A	Selector Plate Lift Cam 'J' (2 per unit)
			CD	4010/74A	Transmitter Cam No.5 'R'
			CE	4010/60A	Type Rotation Cam 'Q'
			CF	4010/73A	Transmitter Cam No.4 'P'
			CG	4010/61A	Type Rotation Cam 'K' (3 per unit)
			CH	4010/72A	Transmitter Cam No.3 'O'
			CJ	4010/71A	Transmitter Cam No.2 'N'
			CK	4010/62A	Type Lift and Shift Cam 'M' (2 per unit)
			CL	4010/70A	Transmitter Cam No.1 'L'
			CM	4010/2A	Cam Spacer
			CN	KY1047	Key
			CO	4010/458	Set of Roller Race Parts

TRANSLATOR UNIT 1st STAGE CP 4280/2 (Continued)

Index Letter	Part No.	Part Name	Part No.	Part Name
CP	PW5728A	Special Washer (2 per unit)	DQ	4010/10B Retaining Plate
CQ	4010/69A	Transmitter Cam (Start) 'I'	DR	4010/55Z Retaining Plate (rear)
CR	4010/30A	Cam Spacer	TRANSLATOR CLUTCH MECHANISM	
CS	4151/2A	Cam Spacer	DS	4280/19 Trigger Stop and Frame
CT	4151/1A	Pecker Operating Cam 'GA'	DT	4280/9 Clutch Trigger CP
CU	4151/3A	Cam Spacer	DU	4280/11 Clutch Band Retainer (3 per unit)
CV	4010/48A	Function Reset Cam 'G'	DV	4280/12 Clamp Block
CW	4010/75A	Transmitter Cam (Stop) 'P'	DW	4280/16 Translator Clutch Band
CX	4010/67A	Cam Spacer	DX	4280/21 Bearing Cylinder
CY	4010/59A	Print Cam 'E'	DY	4280/10 Outer Band Anchor CP
CZ	4010/34A	Cam Spacer	EA	PB5046 Clamp Plate
DA	4010/64A	Letter Feed Cam 'D'	EB	4280/22 Clutch Band Clamp
DB	4010/33A	Cam Spacer	EC	P67674 Tension Spring (2 per unit)
DC	4010/489	Carriage Return Cam 'C'	REPERFORATING ATTACHMENT PARTS ON TRANSLATOR UNIT CAMSHAFT	
DD	4010/32A	Cam Spacer	ED	4010/408 Cam Spacer
DE	4010/25A	Line Feed Cam 'B'	EE	PW5741 Special Washer
DF	KY1048	Key	EF	4010/395 Slide Block CP
DG	PB4460A	Bush	EG	EC5079 Eccentric
DH	4010/66	Lagweight Cam 'A'	EH	4010/406 Retaining Disk (2 per unit)
DJ	KY1040A	Key	EJ	KY1049 Key
DK	4010/29	Cam Spacer	EK	4010/405 Chopper Cam
DL	RO 2873	Ball Race (BS292 - BAL008)	EL	P67529 Tension Spring
DM	PW5870	Special Washer	Chopper CP includes:-	
DN	4010/551A	Camshaft CP	EM	4010/409A Cam Follower CP
MAINSHAFT BEARING BLOCKS				
DO	4010/371	Middle Bearing Block	EN	4010/399A Chopper Lever CP
DP	4010/81A	Rear Bearing Block CP	EO	4010/401A Support Bracket CP
ANSWER BACK ATTACHMENT PARTS ON TRAVERSE CAMSHAFT				
			EP	4010/87 Answer Back Feed Lever CP

GROUP 1 for send/receive machines with a keyboard
 GROUP 2 for receiver only machines
 GROUP 3 for send/receive machines with a keyboard and reperforating attachment
 GROUP 4 for receiver only machines with a reperforating attachment
 GROUP 5 for receiver only machines with a keyboard and reperforating attachment

TRANSLATOR UNIT
2nd STAGE
CP 4280/3

Index Letter	Part No.	Part Name
A	4010/117A	Front Main Frame CP
B	4010/193	Front Main Frame CP (used on machines without a reperforating attachment)
C	4010/413	Front Main Frame CP (used on machines with a reperforating attachment)
D	4010/191	Front Main Frame CP (used on Group 1 only)
E	PG3223	Support Pin
		Torsion Spring
		Middle Main Frame CP includes:-
F	4010/444A	Middle Main Frame CP
G	4010/119A	Middle Main Frame CP
H	4010/187	Main Plate Stay
I	4010/185	Selector Plate Rack Support
		Figures and Letters Latch CP includes:-
J	4010/445	Figures and Letters Adjustment Plate CP
K	4010/171	Figures and Letters Change Lever CP
L	4010/165	Figures and Letters Sub Lever CP
M	4010/169	Special Washer
N	PW5701	Tension Spring
O	PG7478	Rack
P	4010/186	Figures and Letters Retainer CP
Q	4010/173	Special Screw
R	FS5132	Tension Spring
S	PG7479	Rear Pin Box Guide Plate CP
T	4010/161	Shift and Function Reset Rack CP
U	4010/163	Slide Plate (Rear)
		Pin Box CP includes:-
V	4010/322	Pin Rack (large slots)
W	4010/318	Pin Rack (small slots)
X	4010/319A	Selection Pin (bottom strike)
Y	4010/320A	Selection Pin (top strike)
Z	4010/321A	Pin Damping Spring (outer) 5 per CP
AA	4010/367A	Pin Damping Spring (inner) 5 per CP
AB	4010/368	Staple
AC	4010/369	Pin Box End Block CP
		Pin Box Traverse Bracket CP includes:-
AD	4010/106A	Traverse Lever Pivot Bracket
AE	4010/27	Pin Box Traverse Lever CP includes:-
AF	4010/85A	Pin Box Traverse Lever Sub CP
AG	4010/414A	Oil Pot CP
AH	4010/416	Threaded Pin
AI	PP588	Threaded Pin
AJ	PP589	Slide Block (2 per unit)
AK	PP5705	Special Washer
AL	RL1186	Roller
AM	4010/325	Pivot Bracket (used on Groups 1 and 2 only)
AN	4010/404	Traverse Multiplying Lever CP
AO	4010/315	Slide Plate Front
AP	4010/333B	Special Screw for Selector Frame
AQ	4010/350	Selector Bars Traverse Plate
AR	PP5295	Special Screw
AS	4010/366	Traverse Control Bracket
AT	PP7870	Shouldered Pin
AU	4010/348	Front Pin Box Guide Plate
		Front Main Frame CP (used on machines without a reperforating attachment) includes:-
		Front Main Frame CP (used on machines with a reperforating attachment) includes:-
		Front Main Frame Sub CP
		Bracket and Cover Support (used on Group 1 only)
		Support Pin
		Lubricator CP
		Torsion Spring
		Middle Main Frame CP includes:-
		Middle Main Frame CP
		Main Plate Stay
		Selector Plate Rack Support
		Figures and Letters Latch CP includes:-
		Figures and Letters Adjustment Plate CP
		Figures and Letters Change Lever CP
		Figures and Letters Sub Lever CP
		Special Washer
		Tension Spring
		Rack
		Figures and Letters Retainer CP
		Special Screw
		Tension Spring
		Rear Pin Box Guide Plate CP
		Shift and Function Reset Rack CP
		Slide Plate (Rear)
		Pin Box CP includes:-
		Pin Rack (large slots)
		Pin Rack (small slots)
		Selection Pin (bottom strike)
		Selection Pin (top strike)
		Pin Damping Spring (outer) 5 per CP
		Pin Damping Spring (inner) 5 per CP
		Staple
		Pin Box End Block CP
		Pin Box Traverse Bracket CP includes:-
		Traverse Lever Pivot Bracket
		Pin Box Traverse Lever CP includes:-
		Pin Box Traverse Lever Sub CP
		Oil Pot CP
		Threaded Pin
		Threaded Pin
		Slide Block (2 per unit)
		Special Washer
		Roller
		Pivot Bracket (used on Groups 1 and 2 only)
		Traverse Multiplying Lever CP
		Slide Plate Front
		Special Screw for Selector Frame
		Selector Bars Traverse Plate
		Special Screw
		Traverse Control Bracket
		Shouldered Pin
		Front Pin Box Guide Plate
		Traverse Pivot Bracket CP
		Traverse Bellcrank CP
		Lubricating Washer
		Special Washer
		Pecker Slide Block
		Tension Spring
		Print Control Shaft
		Dog (2 per unit)
		Print Hook CP
		Torsion Spring
		Letter Feed Arm CP
		Torsion Spring
		Bush
		Print Release Pivot Arm CP
		Tension Spring
		Selector Transmitter Lever Assembly CP (used on Groups 1 and 3 only)
		Selector Transmitter Lever Assembly CP (used on Groups 2, 4 and 5 only)
		Selector Transmitter Lever Assembly CP (used on Groups 1 and 3 only) includes:-
		Selector Transmitter Lever Assembly CP (used on Groups 2, 4 and 5 only) includes:-
		Selector Lever Pivot
		Print Release Lever and Shoe Carrier CP includes:-
		Shoe Arm Carrier CP
		Bush
		Print Release Lever CP
		Tension Spring
		Selector Plate Lift Frame CP
		Torsion Spring (2 per unit)
		Set of Selector Code Plates (5 per unit) Marking on each Lever should be stated when ordering
		Aggregate Bellcrank CP (4 per unit) includes:-
		Aggregate Bellcrank CP
		Aggregate Bellcrank Sub CP (used on 4010/144A only)
		Aggregate Bellcrank Sub CP (used on 4010/148A only)
		Shouldered Bush
		Shim (0.003 in.)
		Lubricating Washer
		Special Washer (2 per CP)
		Special Screw
		Spacer (5 per unit) used on Groups 2, 4 and 5 only
		Transmitter Lever CP (3 per unit) used on Groups 1 and 3 only
		Transmitter Lever CP (2 per unit) includes:-
		Transmitter Lever
		Transmitter Cam Follower
		Transmitter Lever Adjustment CP
		Special Nut (used on 4010/154 only)
		Special Washer (0.005 in.) quantity as required
		Tension Spring (5 per unit)
		Tension Spring (5 per unit) coloured BLUE used on Groups 2, 4 and 5 only
		Tension Spring (5 per unit) coloured RED used on Groups 1 and 3 only
		Selector Lever Rack CP
		Stop Bracket (used on Groups 1 and 2 only)
		Stop Bracket (used on Groups 3, 4 and 5 only)
		Stop Bracket and Cover Support
		Bellcrank Rack
		Bush
		Throwout Lever CP
		Flanged Pin
		Trip Arm CP
		Special Spring
		Answer Back Trip Lever CP
		Answer Back Trip Link CP
		Special Spring
		Answer Back Trip Shaft Bracket CP

The following parts are only fitted to machines with an Answer Back Unit

CP 4011/26
 CP 4011/28
 CP 4010/309
 CP 4010/323
 CP 4011/24

GROUP 1 for send/receive machines with a keyboard
 GROUP 2 for receiver only machines
 GROUP 3 for send/receive machines with a keyboard and reperforating attachment
 GROUP 4 for receiver only machines with a reperforating attachment
 GROUP 5 for receiver only machines with a keyboard and reperforating attachment

TRANSLATOR UNIT
3rd STAGE
S4280

Index Letter *Part No.* *Part Name*

A	S4293	FUNCTION BAR UNIT
B	4280/3	TRANSLATOR UNIT 2nd STAGE
C	4280/2	TRANSLATOR UNIT 1st STAGE
REAR FRAME		
A	4010/4495	GRP2
B	4010/510A	Rear Frame Sub CP
C	EC1576A	Eccentric
D	4010/509	Abutment Frame Pivot Plate CP
E	4010/324	Guide Bracket
FUNCTION RESET MECHANISM		
F	4010/203A	Sub Plate CP
G	4010/211	Function Reset Bracket CP
H	4010/340	Distance Pillar (long)
I	4010/341	Distance Pillar (short)
J	4010/349	Sub Plate Rack
K	PS5145	Special Screw
L	4010/330	Steady Bracket
M	4010/216	Function Reset Shaft CP includes:- Lubricating Washer
N	PF1143	Shim
O	PW5917	Eccentric Screw
P	EC1577	Function Reset Adjustment Arm CP
Q	PW5708	Special Washer
R	4010/498	Function Abutment Plate CP
S	4010/345	Abutment Block
T	PF1141	Lubricating Pad
U	PW5707	Special Washer
V	PF1138	Lubricating Washer
W	4010/292	Push Rod
X	4010/219B	Function Reset Lever CP
Y	4016/90	Contact Plate Support CP
VERTICAL LEVER RACK		
Z	4010/451	Vertical Lever Rack CP includes:- Vertical Lever Rack CP Vertical Lever Rack Support CP Shim (0.045 in.)
AA	4010/205	Line Feed Vertical Lever CP includes:- Line Feed Vertical Lever Sub CP Line Feed Latch CP Shim (0.005 in.) quantity as required
AB	4010/424	Special Screw
LINE FEED VERTICAL LEVER		
AC	4010/249A	Torsion Spring
AD	4010/248	Special Washer
AE	4010/245B	Line Feed Link CP
AF	PW5798	Letter Feed Bellcrank CP
AG	PS5396	Letter Feed Link
AH	PG3199B	Carriage Return Lever CP
AJ	PW5793	Tension Spring
	4010/240	Special Washer
		Line Feed Lever CP
		Function Lever Pivot

CARRIAGE RETURN VERTICAL LEVER		
AK	4010/238A	Carriage Return Vertical Lever CP includes:- Carriage Return Vertical Lever Sub CP
AL	4010/237	Carriage Return Latch CP
AM	PW5798	Shim (0.005 in.) 2 per CP
AN	PS5396	Special Screw
AO	PG3200B	Torsion Spring
AP	PW5793	Special Washer
AQ	4010/328	Carriage Return Driving Block
AR	4010/452	Lower Carriage Return and Line Feed Rack CP includes:- Lower Carriage Return and Line Feed Rack Sub CP
AS	4010/225	Threaded Pin
AT	PF5596	Pivot Block
AU	4010/229	Carriage Return Adjusting Arm CP
AV	4010/227	Carriage Return Operating Arm CP
AW	PF1114	Lubricating Washer
AX	PW5702	Special Washer
AY	4010/334	Pivot Block
AZ	PF1139	Lubricating Washer
BA	PG7456	Tension Spring
BB	4010/326	Retaining Plate
LETTER FEED VERTICAL LEVER		
BB	4010/260	Letter Feed Vertical Lever CP includes:- Letter Feed Vertical Lever Sub CP
BC	4010/259	Shouldered Pin
BD	PF7947	Letter Feed Latch CP
BE	4010/257	Lubricating Washer (2 per CP)
BF	PF1142	Special Washer (2 per CP)
BG	PW5710	Special Screw
BH	PS5396	Torsion Spring
BI	PG3200B	Special Washer
BJ	PW5709	Letter Feed Lever Abutment
BK	4010/327	Shift Bellcrank CP comprises:- Shift Bellcrank Sub CP
FUNCTIONAL LEVERS		
BL	4010/280B	Special Screw
BM	4010/279B	Special Washer
BN	PS5152	Lubricating Washer
BO	PW5674	Shim
BP	PW5820	Shouldered Bush
BQ	PF1113	Spacer (2 per unit)
BR	PW5681	Print Lever and Shackle CP includes:- Print Lever CP Print Shackle
BR	PB4405	Special Parallel Pin
BS	4010/455	Lubricating Washer (same as item CA)
BT	4010/283A	Pin Retainer
BU	4010/338	Print Shackle and Rod CP includes:- Print Shackle
BV	PF6836	Special Parallel Pin
BW	PF1116	Lubrication Washer (same as item BW)
BX	4010/453	Pin Retainer
BY	4010/338	Print Adjustment Rod
BZ	PF6836	Letter Feed Lever CP
CA	PF1116	Tension Spring (2 per unit)
CC	4010/339	Letter Feed Bellcrank CP includes:- Letter Feed Bellcrank CP
CD	4010/255	Letter Feed Link
CE	PG7387	Carriage Return Lever CP
CF	4010/450	Tension Spring
CG	4010/251	Line Feed Lever CP
CH	4010/329	Function Lever Pivot
CJ	4010/503	Letter Feed Link
CK	PG7100	Carriage Return Lever CP
CL	4010/243	Tension Spring
	4010/347	Special Washer
		Line Feed Lever CP
		Function Lever Pivot

See Page 41
 See Page 35
 See Page 31

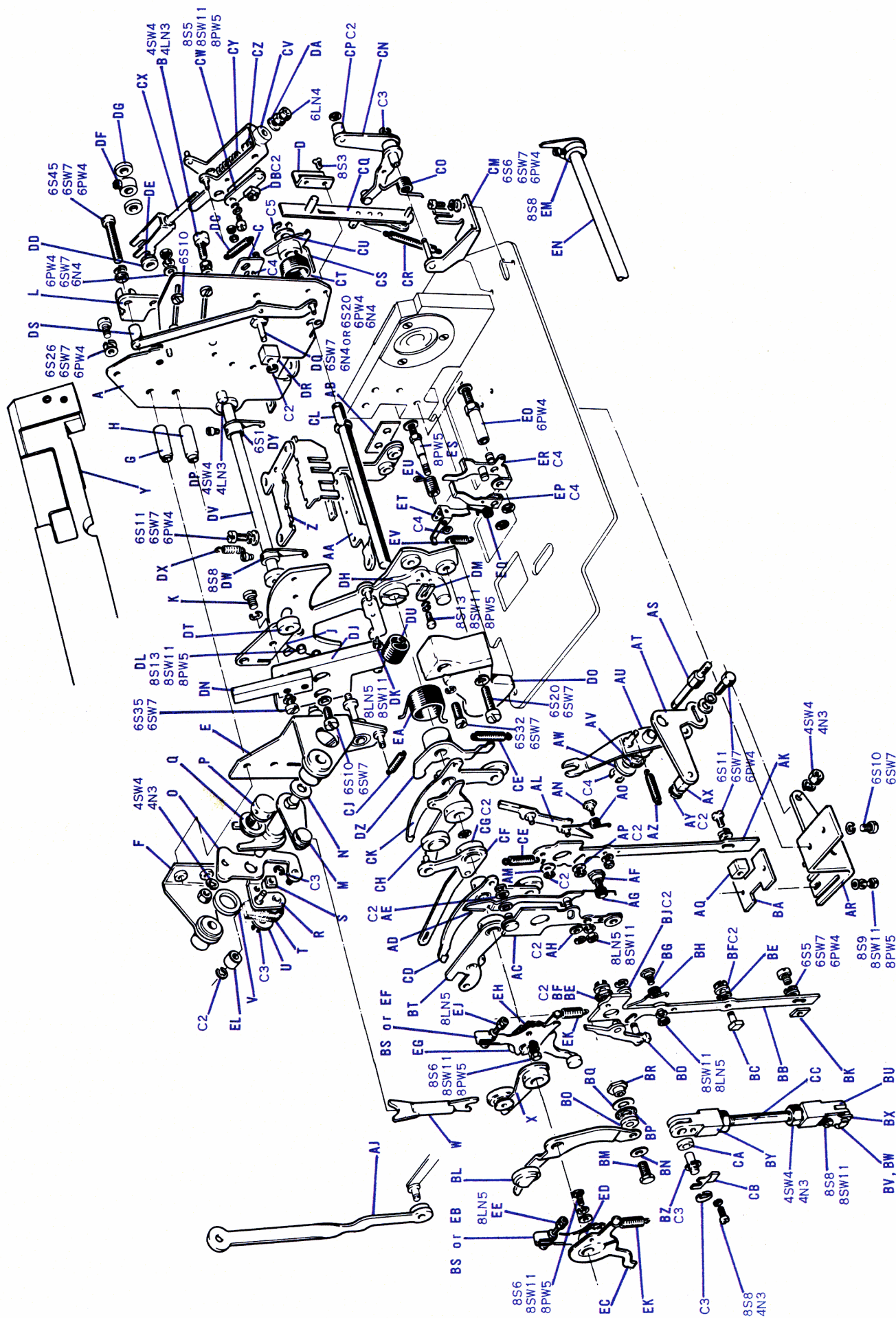


FIG. 7.17.2 TRANSLATOR UNIT 3rd STAGE S4280

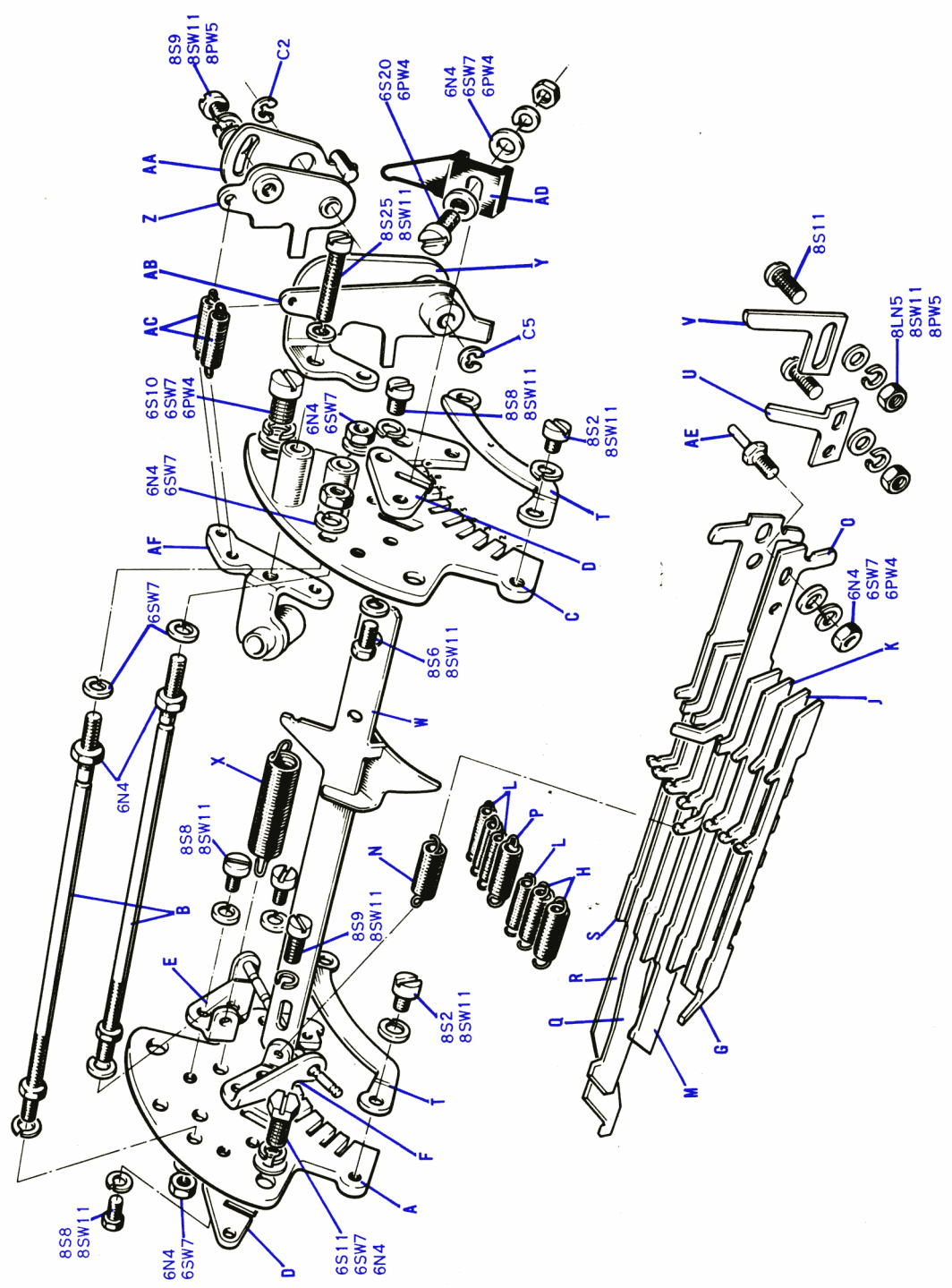


FIG. 7.18 FUNCTION BAR UNIT S4293

SELECTOR UNIT S4278
(Single Speed Model)

- GROUP 1 for transmitter/receiver machines normally operating at C.C.I.T.T. speeds
- GROUP 2 for receiver only machines normally operating at C.C.I.T.T. speeds
- GROUP 3 for transmitter/receiver machines normally operating at American speeds
- GROUP 4 for receiver only machines normally operating at American speeds
- GROUP 1 for transmitter/receiver machines normally operating at C.C.I.T.T. speeds
- GROUP 2 for receiver only machines normally operating at C.C.I.T.T. speeds
- GROUP 3 for transmitter/receiver machines normally operating at American speeds
- GROUP 4 for receiver only machines normally operating at American speeds

SELECTOR UNIT S4279
(Gear Box Model)

Index Letter	Part No.	Part Name
A	4278/1	Selector Unit Sub Assembly (for Selector Unit S4278) includes:-
	or 4279/1	Selector Unit Sub Assembly (for Selector Unit S4279)
B	4009/101A	Selector Unit Casting CP (includes machined and enameled casting with pins driven in and with the following replaceable item)
	4009/53	Special Shouldered Bush
	4278/26	Starter Main Plate CP includes:-
	4278/25	Mounting Bracket CP
	4278/22	Starter Main Plate
	4278/23	Adjustment Bracket
	4009/104	Drive Shaft Bearing CP comprises:-
	* B03852/1	Oil Impregnated Bush (Dilite CT785 x 7/16 in.)
	4009/103	Drive Shaft Bearing Block CP comprises:-
	4009/30	Drive Shaft Bearing Block
	* B03851/1	Oil Impregnated Bush (Dilite FCT68 x 1/2 in.)
	4009/105C	Drive Shaft CP (for Selector Unit for machines normally S4278)
C	or 4019/50	Drive Shaft CP (for Selector Unit for machines normally operating at C.C.I.T.T. speeds)
	or 4009/249	Drive Shaft CP (for Selector Unit for machines normally operating at American speeds)
	or 4019/53	Drive Shaft CP (for Selector Unit for machines normally operating at C.C.I.T.T. speeds)
	4009/26C	Drive Shaft (for Selector Unit for machines normally operating at American speeds)
J	or 4019/44	Drive Shaft (for Selector Unit for machines normally operating at C.C.I.T.T. speeds)
	or 4009/215A	Drive Shaft (for Selector Unit for machines normally operating at American speeds)
K	or 4019/52	Drive Shaft (for Selector Unit for machines normally operating at American speeds)
	GR4061	Worm
L	4009/181	Bearing Collar
M	B03853A	Ball Thrust Bearing (includes Thrust Washers)
N	PB4451A	Collar (fitted to Selector Unit S4278)
O	or 4019/55	Insert (fitted to Selector Unit S4279)
	or PN7019	Square Nut (fitted to Selector Unit S4278)
or 4019/46	Square Nut (fitted to Selector Unit S4279)	

* Customers without facilities for pressing these bushes into the housings should order the complete CP's

Index Letter	Part No.	Part Name
ROCKSHAFT ASSEMBLY		
P	4009/122	Rockshaft Bearing Bracket CP
Q	4009/380	Rockshaft Stop Arm CP includes:-
R	4009/163	Stop Pin
S	4278/74	Plate CP
T	PG7527	Tension Spring
U	4278/42	Rockshaft CP includes:-
V	4278/43	Rockshaft Sub CP
W	4278/48	Retention Lifting Arm CP
X	PW5714	Shim (0.005 in.)
Y	4278/21	Rockshaft Operating Arm
Z	4009/65	Retention Driving Plate
AA	PE2108	Shouldered Bush
AB	PG5114	Compression Spring
AC	PS6656	Special Screw
AD	PS6549	Anchor Bolt
AE	4009/123	LH Rockshaft Bearing Bracket CP
AE	4009/135	Lubricator CP
TRIPSHAFT ASSEMBLY		
AF	4009/136	Tripshaft Bearing Bracket CP
AG	4009/130A	Tripshaft CP
AH	4009/16	Trip Operating Lever Stop
STARTER SWITCH CONTROL		
AJ	4009/204A	Starter Support Bracket CP
AK	PP6826	Starter Spindle
AL	4009/121A	Worm Wheel CP comprises:-
AM	4009/9A	Worm Wheel Boss
AN	4009/98	Final Worm Wheel
AO	4009/29	Friction Washer
AP	PN5096	Special Nut
AQ	4009/379	Starter Arm CP
AR	4009/377	Shouldered Bush CP
AS	PG5149	Compression Spring
AT	4009/206	Bearing Bracket CP
or 4019/4	4009/131	Bearing Bracket (for Selector Unit S4278)
AU	4000/6	Trip Shaft CP
AV	4000/4A	Starter Trip Lever CP
AW	CS1030	Set Collar and Screw (2 per assembly)
SINGLE CURRENT BIAS ADJUSTMENT		
AX	4009/125	Spring Anchor Strip CP
AY	PG7551	Tension Spring (2 per unit)
AZ	4009/152	Guide Plate CP
BA	PS6123	Special Screw
DRIVING GEARS (see page 49 and Fig. 22)		
SEND/RECEIVE CLUTCH MECHANISM		
BB	4009/274	Final Worm and Clutch Drum Spindle (used on S4278 and S4279 Groups 2 and 4)
BC	4009/273	Crawler Clutch CP (used on S4278 and S4279 Groups 1 and 3) includes:-
BD	4009/271	Worm and Drum Spindle CP
BE	PG3277	Roller Ratchet Drum
BF	RL1241	Roller Ratchet Spring
BG	4009/272	Roller
BH	or PW5491	Connecting Link
BH	4009/165A	Shim (0.003 in.) 2 max
BJ	PS5696A	Shim (0.005 in.) 4 max
BK	PN5108	Link
		Shouldered Screw (used on S4278 and S4279 Groups 1 and 3)
		Special Nut

These items do not form part of these units and are assembled at the Machine Sub-Assembly Stage

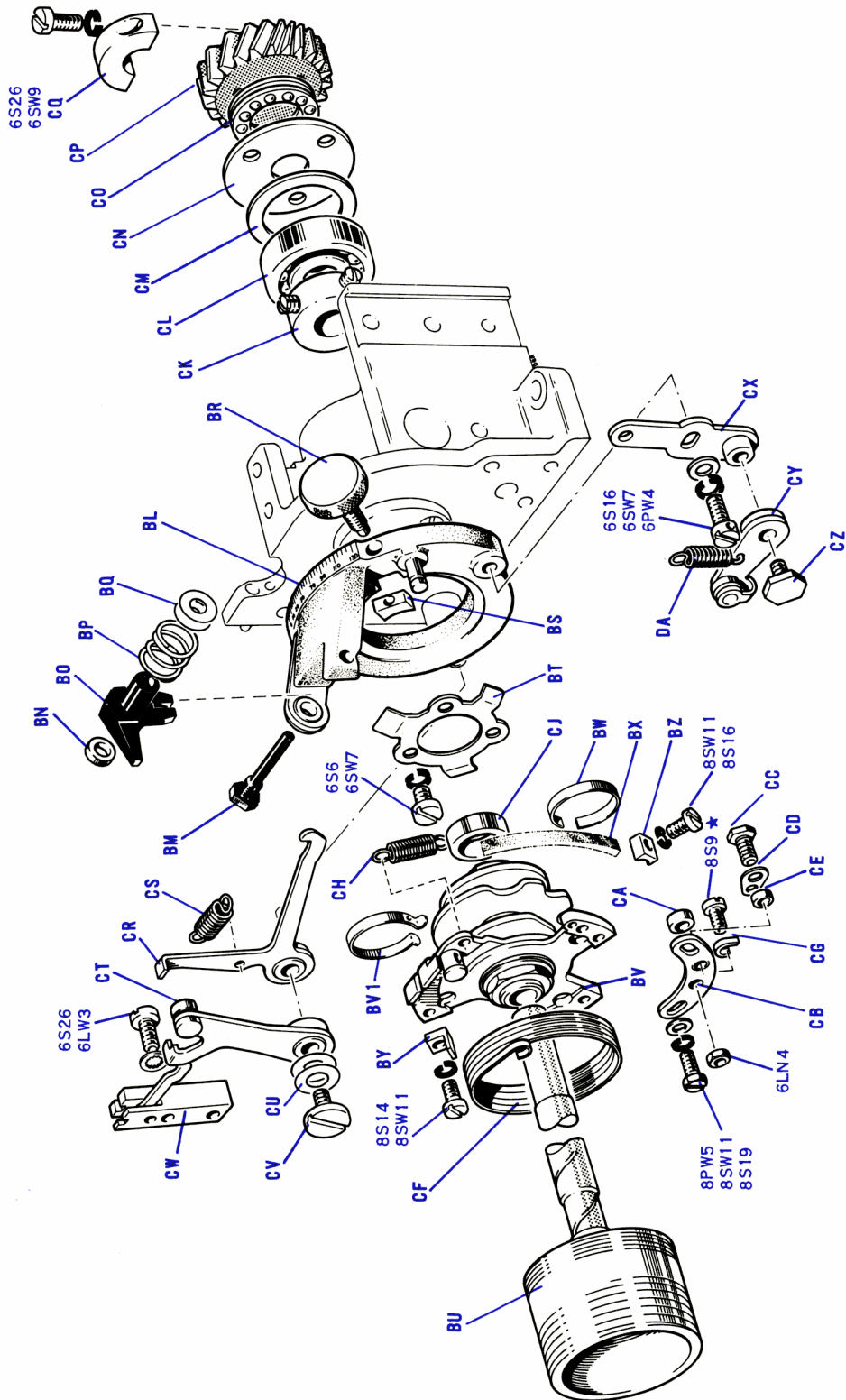
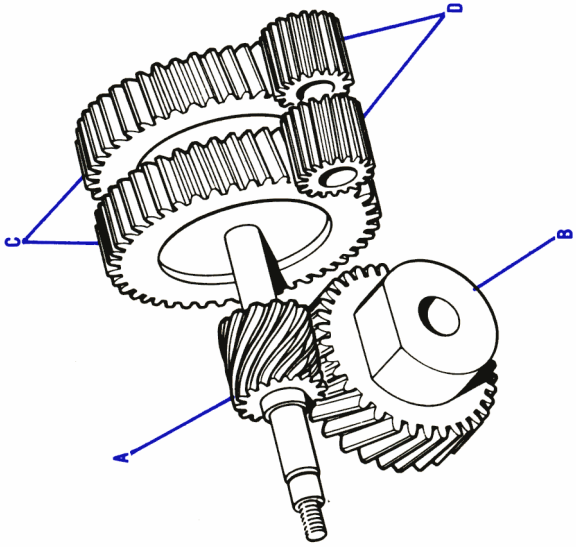


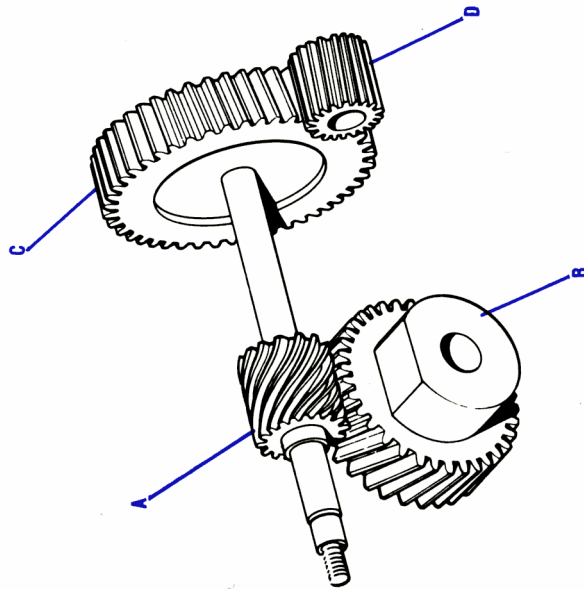
FIG. 7.20 SELECTOR UNITS S4278 AND S4279

SELECTOR UNIT S4278 and S4279 (Continued)

Index Letter	Part No.	Part Name	Part No.	Part Name
		STARTER SWITCH CONTROL		
DB	4009/277	Starter Support Plate CP	PS5655	Special Screw
DC	PB4450	Spacing Collar (3 per assembly)	4009/58	Guide Bracket
DD	4009/33	Starter Lever Stop Bracket	PG7448	Tension Spring
DE	4009/34	Guide Bracket	EC1574	Eccentric
DF	4009/189	Starter Pivot Bracket		SINGLE CURRENT BIAS ADJUSTMENT
DG	4009/59	Worm Spindle Bearing	EA 4009/45	Adjustment Screw Bracket
DH	4009/92	Worm Spindle	EB 4009/85	Clamp
DJ	4009/211	Worm Bearing Bracket CP	EC 4009/132	Adjustment Screw CP
DJ	4009/144A	Starter Lever Guide Bracket CP	ED PB4440	Shouldered Bush (2 per CP)
DK	4009/127	Starter Lever CP includes:-	EE PG5115	Compression Spring
DL	4009/31	Starter Lever	EG 4019/11C	Dog
DM	4009/62	Starter Operating Link	EG PS6123	Special Screw
DN	PP8962	Flanged Pin	EH PP7950	Shouldered Pin
DO	4009/126	Switch Operating Link CP	EJ CS1044	Set Collar and Screw (2 per unit)
DP	PS5124	Special Screw	EK 4019/12	Gear Change Fork CP
DQ	4009/66	Holdout Release Bracket	EL 4019/15	Gear Lever (for machines fitted with 45 and 50 baud gears)
DR	PS5654	Special Screw	or 4019/19	Gear Lever (for machines fitted with 50 and 75 baud gears)
DS	PG7444	Tension Spring	or 4019/29	Gear Lever (for machines fitted with 50 and 56 baud gears)
DT	PG7445	Starter Holdout Lever	or 4019/33	Gear Lever (for machines fitted with 56 and 75 baud gears)
DU	4009/24	Spacing Collar	or 4019/34	Gear Lever (for machines fitted with 45 and 74 baud gears)
DY	PB4454		EM PG7488	Tension Spring
			ARMATURE KNOCK OUT LINK	
			EN 4009/382	Lever CP
			EO 4009/381	Armature Knock Out Link CP
			EP 4009/156A 1	Send and Receive Delay Lever CP
				DRIVING GEARS (See page 49 and Fig.22)



USED WITH
GEAR BOX SELECTOR UNIT S4279



USED WITH
SINGLE SPEED SELECTOR UNIT S4278

FIG. 7.22 MODEL 75 DRIVE GEARS

INDEX LETTER	MACHINES FITTED WITH A GOVERNED MOTOR	BAUD SPEED AND COLOUR CODE								MACHINES FITTED WITH A 50 CYCLES SYNCHRONOUS MOTOR	BAUD SPEED AND COLOUR CODE								MACHINES FITTED WITH A 60 CYCLES SYNCHRONOUS MOTOR						
		45	50	56	74	75	45	50	56		74	75	45	50	56	74	75	45		50	56	74	75		
		GREEN	YELLOW	BLACK	RED	BLUE	YELLOW/GREEN	YELLOW/RED	YELLOW/BLACK		RED/BLACK	YELLOW/BLUE	YELLOW/GREEN	YELLOW/RED	YELLOW/BLACK	RED/BLACK	YELLOW/BLUE	BLACK/BLACK		BLACK/ORANGE	ORANGE/BLACK	ORANGE/BLACK	BLACK/BLACK		
For machines normally operating at C.C.I.T.T. speeds	machines fitted with a Single Speed SELECTOR UNIT S4278	Drive Shaft	A	4009/26C	4009/26C	4009/26C	4009/26C	4009/26C	4009/26C	4009/26C	4009/26C	4009/26C	4009/26C	4009/26C	4009/26C	4009/26C	4009/26C	4009/26C	4009/26C	4009/26C	4009/26C	4009/26C	4009/26C	4009/26C	
		Cam Shaft Gear	B	4009/161B	4009/161B	4009/161B	4009/161B	4009/161B	4009/161B	4009/161B	4009/161B	4009/161B	4009/161B	4009/161B	4009/161B	4009/161B	4009/161B	4009/161B	4009/161B	4009/161B	4009/161B	4009/161B	4009/161B	4009/161B	4009/161B
		Driven Gear	C	4009/93A	4009/94A	4009/198A	4009/222	4009/95A	4009/369	4009/351	4009/369	4009/351	4009/369	4009/351	4009/369	4009/351	4009/369	4009/351	4009/369	4009/351	4009/369	4009/351	4009/369	4009/351	4009/369
		Motor Pinion	D	GR2199	GR2198	GR2223	GR2228	GR2201	GR2272	GR2238	GR2272	GR2238	GR2272	GR2238	GR2272	GR2238	GR2272	GR2238	GR2272	GR2238	GR2272	GR2238	GR2272	GR2238	GR2272
For machines normally operating at American speeds	machines fitted with a Single Speed SELECTOR UNIT S4279	Drive Shaft	A	4019/3C	4019/3C	4019/3C	4019/3C	4019/3C	4019/3C	4019/3C	4019/3C	4019/3C	4019/3C	4019/3C	4019/3C	4019/3C	4019/3C	4019/3C	4019/3C	4019/3C	4019/3C	4019/3C	4019/3C	4019/3C	
		Cam Shaft Gear	B	4009/161B	4009/161B	4009/161B	4009/161B	4009/161B	4009/161B	4009/161B	4009/161B	4009/161B	4009/161B	4009/161B	4009/161B	4009/161B	4009/161B	4009/161B	4009/161B	4009/161B	4009/161B	4009/161B	4009/161B	4009/161B	4009/161B
		Driven Gear	C	4019/6A	4019/7A	4019/27	4019/17A	4019/17A	4019/37	4019/38	4019/37	4019/38	4019/37	4019/38	4019/37	4019/38	4019/37	4019/38	4019/37	4019/38	4019/37	4019/38	4019/37	4019/38	4019/37
		Motor Pinion	D	GR2207	GR2208	GR2261	GR2221	GR2268	GR2269	GR2268	GR2269	GR2268	GR2269	GR2268	GR2269	GR2268	GR2269	GR2268	GR2269	GR2268	GR2269	GR2268	GR2269	GR2268	GR2269
For machines normally operating at American speeds	machines fitted with a Single Speed SELECTOR UNIT S4278	Drive Shaft	A																						
		Cam Shaft Gear	B																						
		Driven Gear	C																						
		Motor Pinion	D																						
For machines normally operating at American speeds	machines fitted with a Single Speed SELECTOR UNIT S4279	Drive Shaft	A																						
		Cam Shaft Gear	B																						
		Driven Gear	C																						
		Motor Pinion	D																						

MODEL 75 DRIVE GEARS

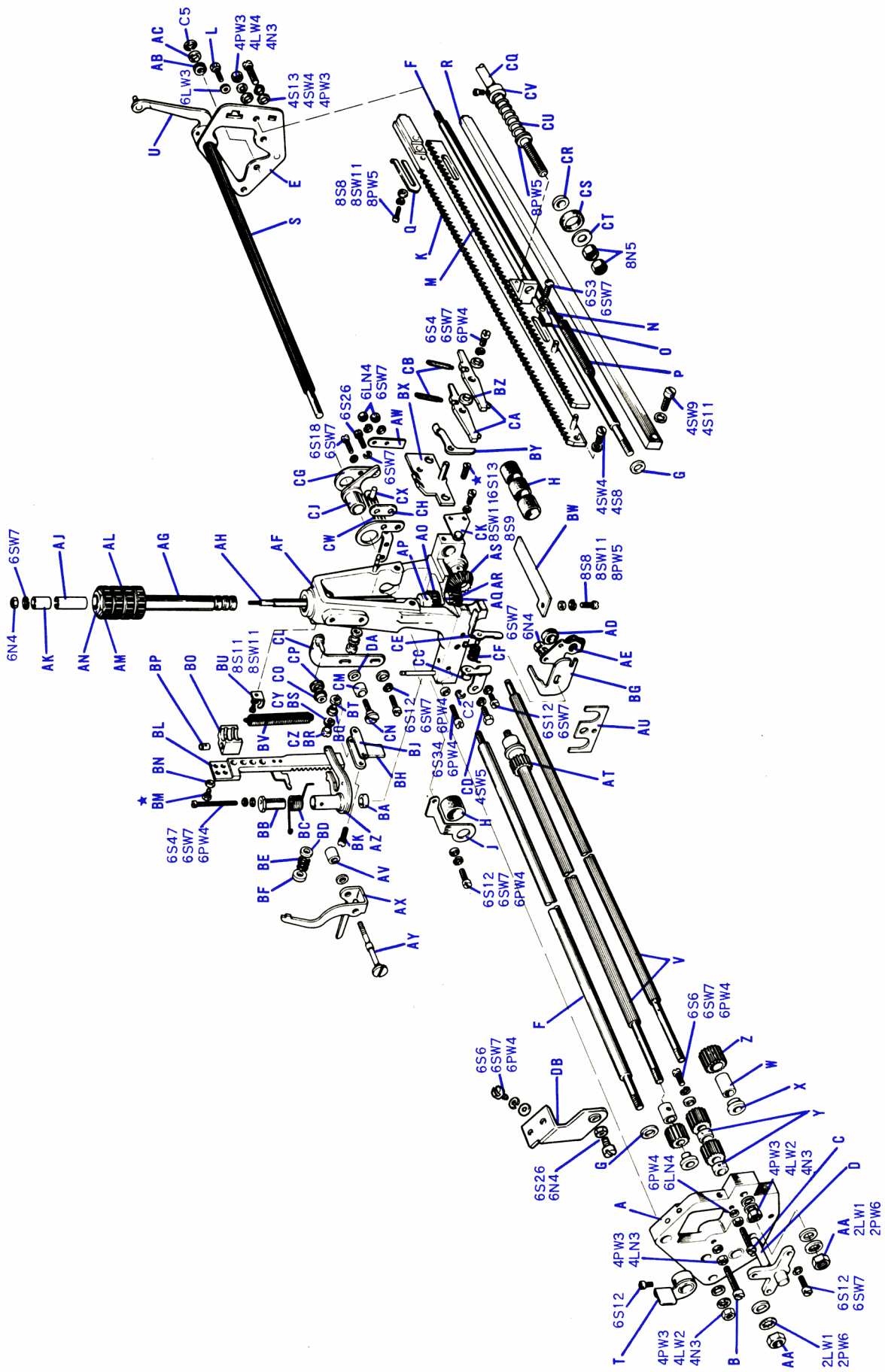


FIG. 7.23 TYPEHEAD CARRIAGE UNIT S4002

TYPEHEAD CARRIAGE } GROUP 1 for use with Friction Feed Platen Unit
UNIT S4002 } GROUP 2 for use with Sprocket Feed Platen Unit

Index Letter	Part No.	Part Name	Index Letter	Part No.	Part Name
END CASTING AND GUIDE RAILS					
A	4002/55	End Casting CP (used on Group 1)	BA	PB4524	Collar
or	4002/138	End Casting CP (used on Group 2)	BB	EC5076	Eccentric
B	PS6608	Special Screw (carriage stop for 0.5 to 0.8 in. margin)	BC	PG3176	Torsion Spring
or	PS5459	Special Screw (carriage stop for 0.9 in. margin)	BD	PW5694	Special Washer
or	PS5458	Special Screw (carriage stop for 76 character line)	BE	PG5117	Compression Spring
C	PS2305	Screw 6BA x 13/16 in. Ch. Hd. (carriage stop for 0.5 to 0.8 in. margin)	BF	PW5695A	Special Washer
or	PS2237	Screw 6BA x 15/16 in. Ch. Hd. (carriage stop for 0.9 in. margin)	BG	4002/34	Bellcrank Stop
or	PS2141	Screw 6BA x 9/16 in. Ch. Hd. (carriage stop for 76 character line)	TYPEHEAD LIFT MECHANISM		
D	4002/46A	Bearing Plate CP	BH	4002/35	Backing Plate
E	4002/53	End Plate CP (used on Group 1)	BI	4002/71	Shim (0.003 in.) as required
or	4002/136	End Plate CP (used on Group 2)	BK	PS7107	Special Screw
F	4002/66A	Guide Rail (2 per unit)	BL	4002/25A	Lifting Link CP
G	PW5742	Special Washer (2 per unit)	BM	PS9413	Special Hex. Hd. Screw
H	PP1127	Lubricating Collar (felt) 4 per unit	BN	PW5855	Lifting Block
J	4002/30	Guide Rail Oiler Retainer (this item forms part of 4002/11)	BO	4002/36A	Lifting Block Nut
FEED RETENTION RACKS AND PRINT RAIL					
K	4002/59	Retention Rack CP (used on Group 1)	BQ	RL1179	Roller
or	4002/133	Retention Rack CP (used on Group 2)	BR	PS6660	Special Screw
L	PS5180	Bolt Thin Headed	BS	PW5737	Shim (0.003 in.) as required
M	4002/62A	Feed Rack CP	BT	PW5743	Special Washer
N	4002/69	Rack Retainer	BV	PG7454B	Spring Anchor
O	PP1130	Lubricating Pad (felt) } 2 off each per unit	TENSION SPRING		
P	PG7452	Tension Spring	BW	4002/43	Buffer Plate
Q	4002/70	Line Length Operating Stop	BX	4002/15	Pawl Support Plate CP
R	4002/65	Print Rail	BY	4002/44	Line Length Operating Lever
SPLINE SHAFT AND SPUR GEARS					
S	4002/64	Carriage Return Splined Shaft	BZ	PW5692	Special Washer
T	4002/50B	Carriage Return Manual Lever CP	CA	4002/42	Typehead Carriage Pawl (2 per CP)
U	4002/48	Carriage Return Link Arm CP	CB	PG7514A	Tension Spring (2 per CP)
V	4002/63	Typehead Splined Shaft } 2 off each per unit	CC	4002/17	Pawl Latch Bracket CP
W	PB4515	Collar	CD	PS5129	Special Screw (for typehead stop)
X	PB4511	Collar	CE	4002/19	Pawl Latch CP
Y	PB4516	Collar	CF	PG3175	Torsion Spring
Z	6R1035	Spur Gear (4 per unit)	CG	4002/40	Carriage Return Lever Retainer (2 per CP)
AA	PN5099	Special Nut (2 per unit)	CH	4002/41	Retainer Spacer
AB	PP1142	Lubricating Washer (2 per unit)	CI	4002/29	Carriage Return Lever CP
AC	PW5053	Special Washer	CK	4002/76A	Tape Retainer CP
AD	PP1133	Lubricating Washer	JUMPER ARM		
AE	4002/31	Splined Shaft Oiler Retainer (this item forms part of 4002/11)	CL	4002/22	Jumper Arm CP
TYPEHEAD CARRIAGE					
AF	4002/11	Typehead Carriage CP includes:-	CM	RL1181	Roller
AG	4002/7A	Typehead Carriage and Casting CP	CN	PS5659	Shouldered Screw
AH	4002/4	Typehead Boss and Sleeve CP includes:-	CO	RL1180A	Roller
AI	4002/2	Typehead Sleeve	CP	PP1174	Lubricating Washer } these items are assembled at the machine sub-assembly stage
AJ	PP1131	Lubricating Strip	CARRIAGE LINK (these items are assembled at the machine sub-assembly stage)		
AK	PB4514	Bush	CQ	4002/67	Carriage Link
AL	* 4002/77	Typehead Boss CP includes:-	CR	4002/68	Link End Piece
AM	4002/3	Typehead Boss	CS	PP1128	Lubricating Washer } 2 off each per unit
AN	PW5698	Type Pad (specify character when ordering)	CT	PW5693	Special Washer
AO	* 4002/9	Special Washer	CU	PG5159	Compression Spring
AP	23923A	Special Nut	CV	CS1107	Set Collar and Screw
AQ	PW5699	Corrector Wheel CP	AUTOMATIC CARRIAGE RETURN AND LINE FEED		
AR	† 6R5004	Shim Washer (0.003 in.) as required	The following parts are only fitted to machines with the automatic carriage return and line feed facility		
AS	GR5005	Bevel Gear	CW	4002/72	Carriage Extension CP includes:-
AT	GR1036	Spur Gear	CX	4002/73	Carriage Extension
AU	4002/32	Gear Retainer	CY	PP9185A	Flanged Pin
AV	PB4523	Spacing Collar (2 per CP)	TWO COLOUR PRINTING PARTS ON TYPEHEAD		
AW	4002/39	Carriage Dashpot Extension	The following parts are only fitted to machines with the two colour printing facility		
AX	4002/35A	Corrector Bellcrank	CZ	† PW5759	Shim (3 max.)
AY	PS7106	Special Screw	DA	† PS5693	Shouldered Screw
AZ	4002/27	Corrector Lever CP	DB	PW5529	Spacing Washer
				4002/134	Bracket

* This item is assembled with types and customers must state the layout required when ordering as a spare part
† Customers must be prepared to drill and line ream these parts when ordered as spares
‡ Parts CZ and CY replace parts BR, BS and BQ and part DA replaces part CI

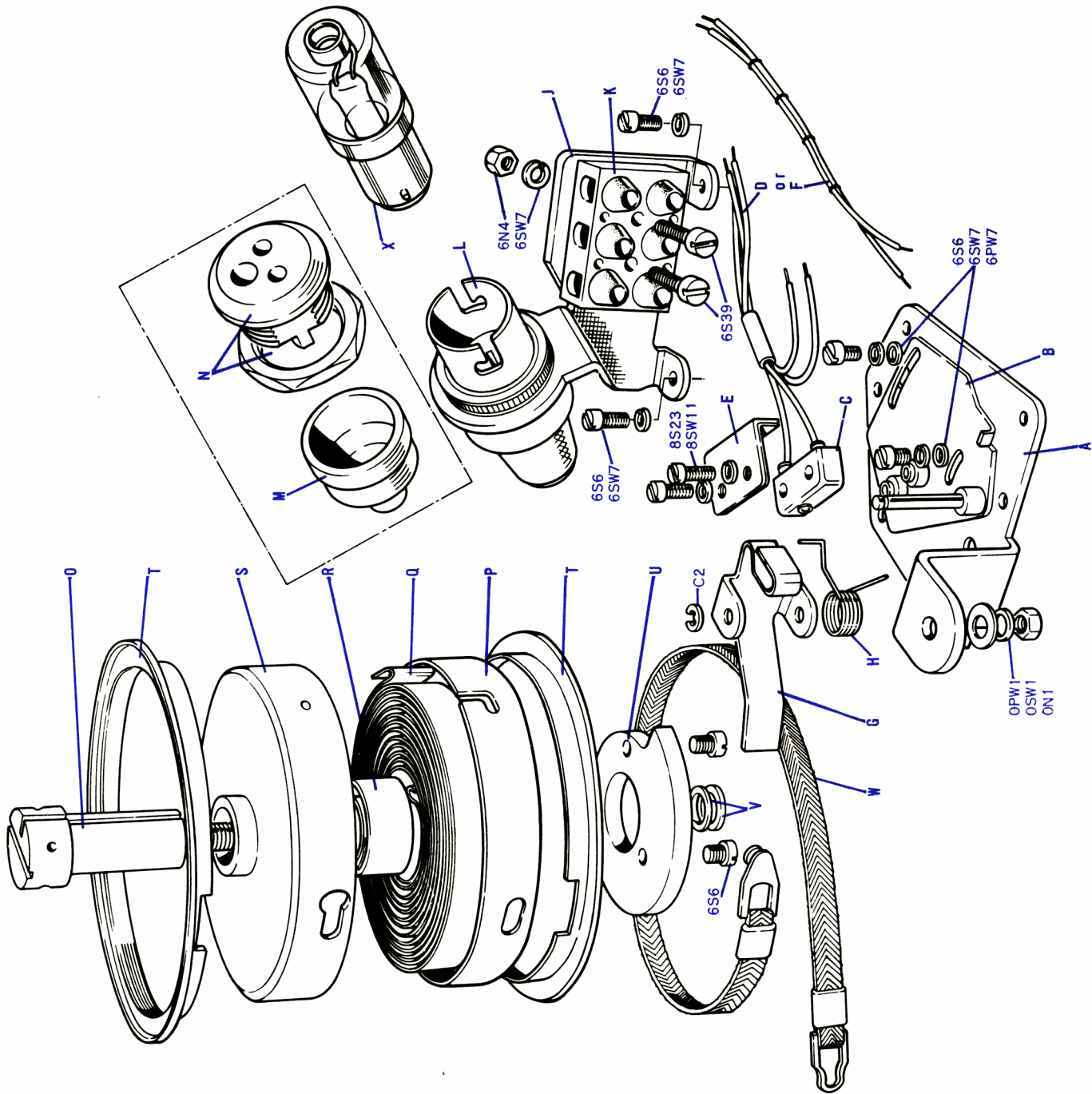


FIG. 7.24 SPRING DRUM AND END OF LINE INDICATOR S4277

**SPRING DRUM AND
END-OF-LINE
INDICATOR UNIT S4277**

GROUP 1 for send/receive machines with keyboard
and with, or without
reperforating attachment

GROUP 2 for receiver machines only

GROUP 3 for machines used in silencing cover

GROUP 4 for receiver only machines with
reperforating attachment

Index Letter	Part No.	Part Name
A	4277/1	End-Of-Line Indicator Mounting Bracket
B	4277/9	Switch Bracket CP (used on Groups 1 and 3 only)
C	BO 3933/2	Microswitch and Cableform CP includes:-
D	CF2280	Microswitch (Honeywell 11SMI-T-N1) } used on Groups 1 and 3 only
E	4277/10	Cableform CP } 3 only
F	CF1919	Microswitch Cover CP
G	4277/12	Cableform (used on Group 4 only)
H	PG3317A	Cam Follower Arm (used on Groups 1 and 3 only)
J	4277/2A	Return Spring (used on Groups 1 and 3 only)
K	CB1143	E.O.L. Lamp Bracket (used on Groups 1, 3 and 4 only)
L	BO 3805/1	3-way Terminal Block (used on Groups 1, 3 and 4 only)
M	4013/37	Lamp Holder (S.B.C.) used on Groups 1 and 4 only
N	4013/38	Insulating Cup } used on Group 3 only
O	PS7184	Modified Socket (3-way) } used on Group 3 only
P	4277/6	Spring Drum CP includes:-
Q	PG1503	Spring Drum CP
R	4005/4	Inner Half Spring Drum CP
S	4277/7	Carriage Spring
T	4277/8	Spring Anchor
U	4277/11	Outer Half Spring Drum CP
V	PW5277	Spring Drum Flange (2 per CP)
W	4277/18	Cam
X	BO 3804	Shim (0.005 in.) quantity as required
		Carriage Return Tape CP
		Neon Indicator Lamp (S.B.C., 0.5W) state voltage when ordering

RIBBON UNIT S4001C

Index Letter	Part No.	Part Name	Part No.	Part Name
TRACKRAILS AND BRACKETS				
A	4001/8	Trackrail Bracket (LH)	4001/45	Feed Change Lever CP
B	4001/70A	Bracket and Roller CP includes:-	PS5651	Change Arm Pivot
C	PW5642	Carriage Return Tape Roller Bracket CP	AM	Bias Spring Support
D	RL1246	Shim (0.005 in.) ¼ max, quantity as required	PG5112	Change Over Bias Spring
E	4001/36	Carriage Return Tape Roller	AO	Spring Cup (2 per CP)
F	4001/36	Trackrail Bracket (RH) CP	RIBBON JUMPER AND ROLLERS	
G	4001/5	Upper Ribbon Unit Trackrail	AP *	Jumper Sub CP
G	4001/3A	Double Shoulder Bush	AQ	Ribbon Guide Base Plate
H	4001/6	Lower Ribbon Unit Trackrail	AR	Pillar (2 per CP)
J	PF1173	Felt Oiling Strip	AS	Ribbon Retainer (2 per CP)
K	4001/82	Retaining Clip	AT	Keep Plate
L	4001/88A	Side Plate (RH) CP	AU	Ribbon Guide
M	* 4001/87	Side Plate (LH) CP	AV	Keep Plate
N	4001/39	Ribbon Unit Shaft	AW	Ribbon Roller Pivot (2 per CP)
O	4001/74	Lower Bearing CP	AX	Tie Bar
P	PW5802	Spool Damping Washer	AY	Ribbon Roller
Q	4001/76	Spool Drive Plate CP	AZ	Tape Retainer
R	PW5803	Friction Washer (8 per CP)	BA	Special Spring Washer
S	PG5157	Compression Spring (2 per CP)	BB	Spool Retainer CP
T	PN6037	Special Nut	BC	Bush
U	4001/47	Ratchet Coupling CP	BD	Special Nut
V	4001/47	Ratchet Coupling CP	} 2 off each per CP	
W	4001/11	Ribbon Unit Ratchet		
RIBBON FEED MECHANISM				
X	4001/24	Feed Lever Pivot	TWO COLOUR PRINTING PARTS ON RIBBON UNIT	
Y	4001/42	Ribbon Feed Lever CP includes:-	The following parts are only fitted to machines with the two colour printing facility	
Z	PP1097	Ribbon Feed Lever Sub CP	BE *	Ribbon Jumper Sub CP
AA	4001/25A	Parallel Pin	BF	Lubricating Washer
AB	PG3167C	Ribbon Feed Pawl	BG	Lift Link CP
AC	PG3169	Feed Pawl Spring	BH	Tension Spring
AD	4001/49	Retention Pawl Spring	BJ	Lift Link Stop
AE	PG3168B	Retention Pawl Spring	BK	Lift Link Upper Stop
AF	4001/25A	Ribbon Unit Pawl	BL	Special Washer
AG	CS1015	Set Collar and Screw	BM *	LH Side Plate CP
RIBBON FEED CHANGE				
AH	4001/46A	Top Plate CP	BN	Ribbon Lift Lever CP
AJ	4001/43	Ribbon Change Lever CP	BO	Eccentric
			BP	Roller Arm CP
			BQ	Torsion Spring
			BR	Torsion Spring
			BS	Special Screw
			BT	Bush
			BU	Plate

* Parts BE and BM replace parts AP and M respectively

GOVERNED MOTOR UNIT S4282

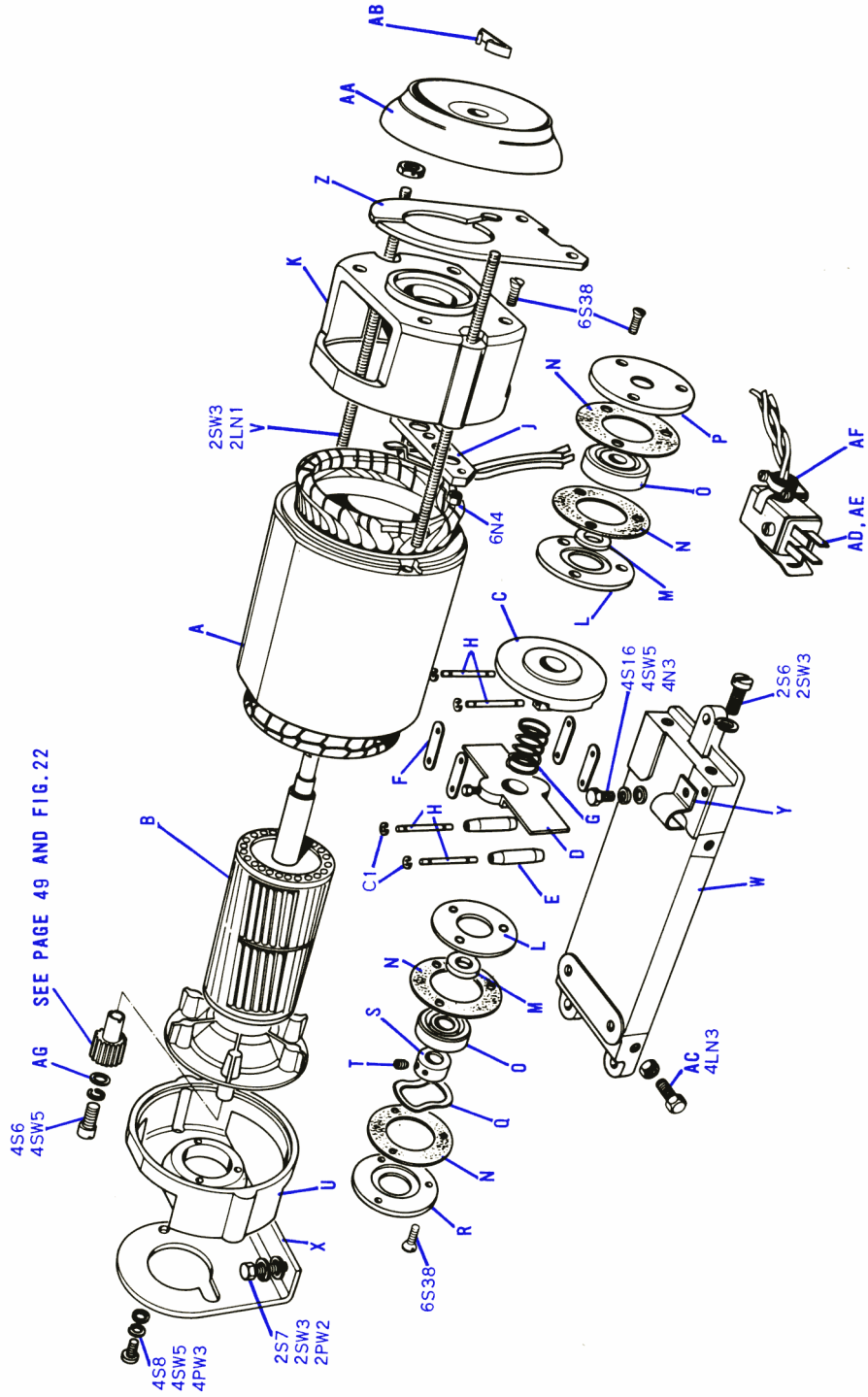
Index Letter	Part No.	Part Name	Part No.	Part Name
		Motor (Mains voltage and frequency to be specified) includes:-		
A	REF522A	Brush Box Cover CP	4040/71	Fan End Cover
	4040/132	Motor CP includes:-	4040/99	Brush Box } 2 of each per CP
	4040/116	Armature CP includes:-	AA16/1	Brush Slide } 2 of each per CP
B	4040/30	Thrust Collar	4282/4	Motor Brush CP
C	4040/37	Bearing Clamp Plate } 2 of each per CP	PS5032	Motor Base
D	4040/31	Gasket (4 per CP)	CB1028	Special Screw (3 per unit)
E	BO 8403/1	Journal Bearing (BS. 292 Ref. BRL009) 2 per CP	4282/1	Connecting Block (4 section)
F	4040/13	Bearing Cap (Commutator End)	2942/14	Resistor Board CP includes:-
G	4040/14	Bearing Cap (Fan End)	4018/14	Resistor Board Sub CP
H	4040/12	Bearing Retaining Washer	AD 4018/15A	Mounting Strip
J	PS5924	Special Screw	BO 2878/2	Mounting Bracket
K	4040/32	Special Washer	AE 4282/5	Resistor 3.5 ohms, ± 5% 4.5W
L	4040/131	Armature	AF BO 2659	Capacitor CP includes:-
	4040/129	Commutator End Cover and Body CP includes:-	AG PK1183	Capacitor 0.1 µF 1500V peak
M	4040/128	Commutator End Cover CP includes:-	AH PB4499	Capacitor Clip
N	4040/100	Brush Mounting Plate	AJ 4282/2	Bush (2 per unit)
O	3905/10	Special Nut (2 per CP)	AK PK2029	Inductor CP
P	PS5176	Special Screw	AL PK1202	Cable Clip
Q	4040/130	Field Magnet CP includes:-	4282/3	Inductor Clip
	4040/85B	Field Magnet Sub CP	AM BO 7601/2	Plug Assembly CP includes:-
R	4040/126	Field Coil CP (2 per CP)	AN BO 7601/8	4-way Plug (Painton Inner Assy. P4)
S	CF2177	Inductor CP (2 per CP)	AO PK1170	Side Entry Cover (Painton Cover Assy. 4/CS/R1E)
T	PE1078	Grommet	AP S4012	Cable Clip
			AQ 4282/6	Governor Unit (See page 59)
			AR PW5716	Governor Contacts CP (See page 59)
				Special Washer

GOVERNOR UNIT S4012

Index Letter	Part No.	Part Name
A	4012/12	Governor Body CP
B	4012/14	Stop Bracket
C	4012/16	Spring Clamp Plate
D	1910/17A	Spring Plate
E	FW5547	Special Washer
F	PS7034	Special Screw
G	4012/15	Governor Spring CP (4,200 rpm)
H	4012/3	Contact Arm Support Plate
J	4012/5	Contact Arm Spring
K	FW5759	Shim (quantity as required)
L	4012/7	Contact Arm Weight
M	4012/6	Contact Arm Clamp
N	4012/4	Governor Stop Plate
O	4012/9	Contact Peg Support Plate CP
P	4012/11	Contact Peg (this item does not form part of this unit)
Q	4018/30	Cover
R	4012/2	

GOVERNOR CONTACTS CP 4282/6

Index Letter	Part No.	Part Name
A	4018/3	Mounting Bracket CP
B	4018/7	Contact Blade CP
C	4018/5	Contact Blade CP
D	PE1225	Insulating Collet (2 per CP)
E	PE5121	Insulator } 3 off each per CP
F	PE5122	Insulator }
G	4018/9	Retaining Plate
H	4018/10	Cover



SEE PAGE 49 AND FIG. 22

FIG. 7.29 SYNCHRONOUS MOTOR UNIT S4283

PLATEN UNIT S4281 { GROUP 1 Friction Feed
GROUP 2 Sprocket Feed

Index Letter	Group 1 Part No.	Group 2 Part No.	Part Name	Index Letter	Group 1 Part No.	Group 2 Part No.	Part Name
SIDE PLATES AND TIE RODS							
A	4281/4	4281/4	Platen Side Plate (RH) CP	AU	4004/58	4023/56	Retention Roller Bracket CP
B	4281/3	4281/3	Platen Side Plate (LH) CP	AV	EC1628	EC1628	Eccentric
C	4004/25A	4004/25A	Tie Rod	AW	P67538	P67538	Tension Spring
D	4004/108	4004/108	Tie Bar	AX	4004/91	4004/91	Platen Retention Pawl
PLATEN ASSEMBLY							
E	4004/60	4023/124	Platen Final CP includes:-	AY	P67534	P67534	Tension Spring
	4004/4	4023/121	Platen Sub CP	AZ	PF6277	PF6277	Spring Anchor Pin
F	-	4023/123A	Platen Spindle CP includes:-	BA	PW5745	PW5745	Spacer
G	-	4023/154	Spindle	BB	EC1592	EC1592	Eccentric
H	-	4023/103A	Pin Retraction Cam (2 per CP)	FEED CHANGE MECHANISM			
I	-	4023/32	Feed Pin } 20 off each per CP	BC	4023/39B	4023/39B	Ratchet Feed Support Plate CP includes:-
J	-	P63230	Special Spring } 20 off each per CP	BD	4023/40	4023/40	Ratchet Feed Support Plate Sub CP
K	-	4023/69	Platen Feed Ratchet CP includes:-	BE	4004/65A	4004/65A	Feed Change Lever CP
L	-	4023/68	Platen Feed Ratchet	BF	4004/79	4004/79	Single Line Feed Stop
M	-	4023/15A	Platen End Cap	BG	PS5649	PS5649	Special Screw
N	4004/19	4023/44	Platen Retention Wheel	BH	PN6030B	PN6030B	Special Nut
O	-	4023/47	Clamp Wheel	BI	EC5075	EC5075	Special Nut
P	4004/59	4023/122	Platen End Cap CP	BJ	4004/71	4004/71	Feed Lever and Pawl CP
Q	4004/26	-	Platen Spindle CP includes:-	BK	4004/48	4004/48	Feed Lever Stop Plate
R	4004/11	-	Platen Spindle	BL	PF8949	PF8949	Flanged Pin
S	-	4023/43	Platen Feed Ratchet	BM	P67438	P67438	Tension Spring
T	-	4023/73	Bearing Bracket	PAPER GUIDE			
U	-	PS5692	Sprocket Feed Change Lever	BN	4004/96	4004/96	Paper Guide and Damper Assembly Unit includes:-
V	-	4023/67	Shouldered Screw	BO	4004/95	4004/81A	Paper Guide Sub CP
W	4281/6	4281/6	Distance Collar	BP	P67537	P67537	Paper Damper
X	4004/44	4004/44	Platen Sub Plate CP	BQ	P67548	P67548	Damper Spindle
Y	4004/77	4004/77	Platen Knob Coupling	BR	4023/115	4023/115	Damper Spring
Z	4004/50	4004/50	Platen Knob Retaining Screw	BS	4023/116	4023/116	Paper Guide Bar Lever (LH) CP
PRESSURE ROLLERS							
AA	4023/125	PW5226	Special Washer (quantity as required)	BT	P67539A	P67539A	Paper Guide Bar Lever (RH) CP
AB	4023/30	4023/125	Pressure Roller CP includes:-	BV	PG7537	PG7537	Spring
AC	4023/120	4023/30	Support Bar	BW	PB4396B	PB4396B	Bush (2 per unit)
AD	4004/32	4004/32	Paper Guide CP	BX	4023/49	4023/49	Stripper Bar
AE	4023/37	4023/37	Pressure Frame Support Bracket (3 per CP)	BY	4004/93	4004/93	Paper Retention and Throwout Lever CP
AF	4023/50	4023/50	Nut Plate	BZ	PG3166A	PG3166A	Special Spring
AG	4023/54	4023/54	Pressure Roller Arm (LH) CP	CA	4004/55	4004/55	Paper Tube Tension Lever CP
AH	4023/64	4023/64	Pressure Roller Arm (RH) CP	CB	PS6229	PS6229	Special Spring
AI	PG7540	PG7540	Roller CP	CC	PS5648	PS5648	Special Screw
AJ	4023/34	4023/34	Pressure Roller Arm Pivot } 2 off each	CD	4004/69	4004/69	Paper Tube CP
AK	4023/51	4023/51	Rear Roller Arm Pivot } 2 off each	CE	4004/36	4004/36	Paper Tension Rod
AL	4023/35	4023/35	Camshaft	CF	4004/37	4004/37	Tension Rod End Cheek
AM	4004/30A	4004/30A	Cam	CG	4004/38	4004/38	Paper Tension Shaft Lever
AN	4023/109	4023/109	Paper Guide Retainer (LH) CP	CH	PW5673	PW5673	Special Washer
AO	4023/110	4023/110	Paper Guide Retainer (RH) CP	CI	PS5647A	PS5647A	Special Screw
AP	4023/111	4023/111	Pivot Bracket Guide	CJ	PG7442	PG7442	Tension Spring
AQ	EC5088	EC5088	Eccentric Pin	CK	4004/82	4004/82	Tension Bar
AR	PW5190	PW5190	Special Washer (12 max)	CL	4004/46	4004/46	Print Spring Change Lever
AS	4004/53A	4004/53A	Pressure Roller Release Lever CP	CM	4004/17	4004/17	Stop Bracket
AT	PG2133	PG2133	Leaf Spring				

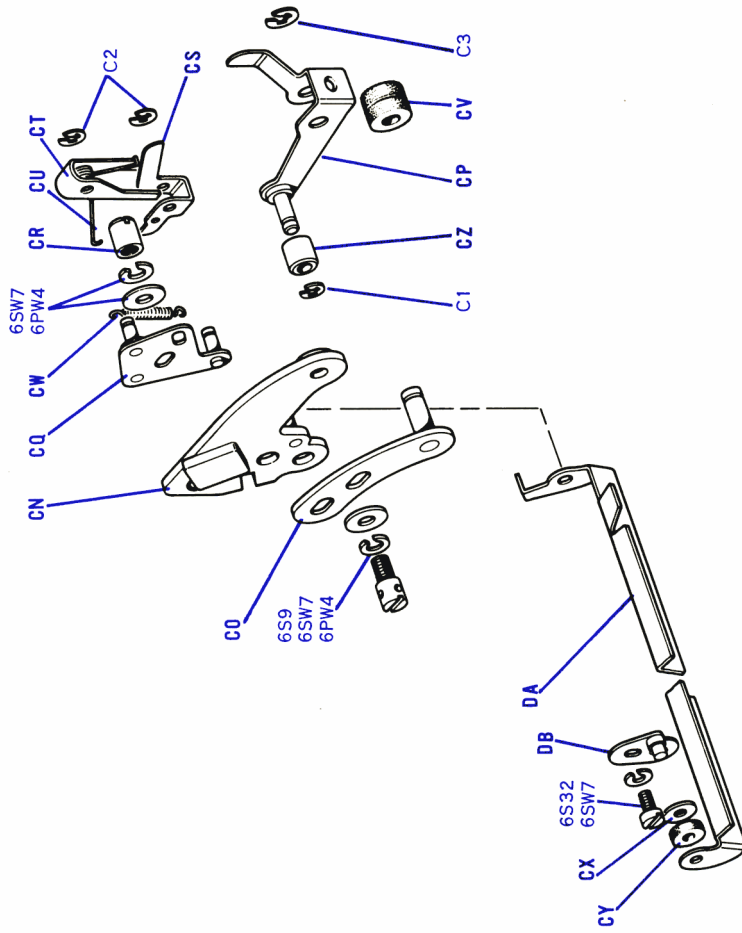


FIG. 7.31 TWO COLOUR PRINT PARTS ON PLATEN UNIT

PLATEN UNIT S4281 (Continued)

<i>Index Letter</i>	<i>Part No.</i>	<i>Part Name</i>
TWO COLOUR PRINTING PARTS		
<i>The following parts are only fitted to machines with the Two Colour Printing facility</i>		
	4028/186 GRP1	Control Mechanism CP includes:-
CN	4004/109	Control Mechanism Back Plate CP
CO	4004/111	Backplate Extension CP
CP	4004/113	Slat Operating Lever CP
CQ	4004/116	Control Mechanism Sub Plate CP
CR	PN6026	Special Nut
CS	4004/115	Slat Latch
CT	4004/118	Slat Latch Retainer
CU	PG3237	Torsion Spring
CV	PF1115	Lubricating Washer (2 per CP)
CW	PG7197	Tension Spring
CX	FW5711	Special Washer
CY	PF1134	Lubricating Washer
CZ	RL1186	Roller
DA	4004/119	Ribbon Jumper Slat
DB	4004/120	Bearing Plate CP

Index Letter	Part No.	Part Name	Without		Part Name	Part No.	Part Name
			Tape	Reader Facility			
GROUP 1	3-Row with Short Single Space Bar						
GROUP 2	4-Row with Long Single Space Bar						
GROUP 3	4-Row with Figures, Space and Letters Bar						
GROUP 7	3-Row with Long Single Space Bar						
GROUP 4	3-Row with Short Single Space Bar						
GROUP 5	4-Row with Long Single Space Bar						
GROUP 6	4-Row with Figures, Space and Letters Bar						
GROUP 8	3-Row with Long Single Space Bar						

**KEYBOARD UNIT
S4008A**

Index Letter	Part No.	Part Name	3-row Keyboard	4-row Keyboard	Part Name	Part No.	Part Name
A	4008/1B	Keyboard Sub-Assembly includes:-					
B	4008/17A	Rear Keyboard Rack CP	4008/90A	4008/90A	Keybar Dart No.1 (1st row)	4008/90A	Keybar Dart No.1 (1st row)
C	4008/12B	Keyboard Side Plate CP (RH)	4008/91A	4008/91A	Keybar Dart No.2 (2nd row)	4008/91A	Keybar Dart No.2 (2nd row)
D	4008/8B	Keyboard Side Plate CP (LH)	4008/92A	4008/92A	Keybar Dart No.3 (3rd and 4th row)	4008/92A	Keybar Dart No.3 (3rd and 4th row)
E	4008/94	Keyboard Pivot					
D	4008/13A	Keyboard Front Plate					
F	4008/26	Trip Slat CP					
G	PS5927	Cone Point Screw					
H	4008/204	Trip Slat Stop Bracket					
	4008/124	Ball Cage CP includes:-					
J	4008/123	Ball Cage Sub CP includes:-					
K	4008/122	Ball Cage Channel					
L	4008/27	Ball Cage Front Plate					
M	4008/29	Ball Cage Back Plate					
N	BO 8581/2	Ball Bearing (3/16 in. dia.) 64 per CP					
O	4008/31	Ball Slat					
P	PW5190	Special Washer (2 per CP)					
Q	4008/20A	Stop Strip CP					
Q	4008/192	Clamp Plate					

Index Letter	Part No.	Part Name	3-row Keyboard	4-row Keyboard	Part Name	Part No.	Part Name
KEYBARS							
NOTE:		When ordering these parts the inscription required on the Keyboard must be stated					
R	4008/171A	Keybar and Button CP 1st Row					
S	4008/172A	Keybar and Button CP 2nd Row					
T	4008/173A	Keybar and Button CP 3rd Row					
U	4008/175A	Keybar and Button CP 4th Row					
V	4008/187A	Shift Keybar and Button CP 1st Row					
	4008/176A	Shift Keybar and Button CP 2nd Row					
	4008/174A	Shift Keybar and Button CP 3rd Row					
	4008/177A	Shift Keybar and Button CP 4th Row					
W	4008/178A	'Who Are You?' Keybar and Button CP 1st Row					
	4008/188A	'Who Are You?' Keybar and Button CP 2nd Row					
	4008/179A	'Who Are You?' Keybar and Button CP 3rd Row					
	4008/180A	'Who Are You?' Keybar and Button CP 4th Row					
X	4008/181A	'Here Is' Keybar and Button CP 1st Row					
	4008/182A	'Here Is' Keybar and Button CP 2nd Row					
	4008/183A	'Here Is' Keybar and Button CP 3rd Row					
Y	4008/184A	'Run Out' Keybar and Button CP 1st Row					
	4008/185A	'Run Out' Keybar and Button CP 2nd Row					
	4008/186A	'Run Out' Keybar and Button CP 3rd Row					
Z	PG7470	Tension Spring (one required per Keybar)					

NOTE: The top row of keys on 3- and 4-row Keyboards is normally referred to as the first row and uses 1st row keybars. An exception to this is a machine with a 3-row keyboard mounted in a Silencing Cover. In this case the top row of character producing keys are 2nd row keybars.

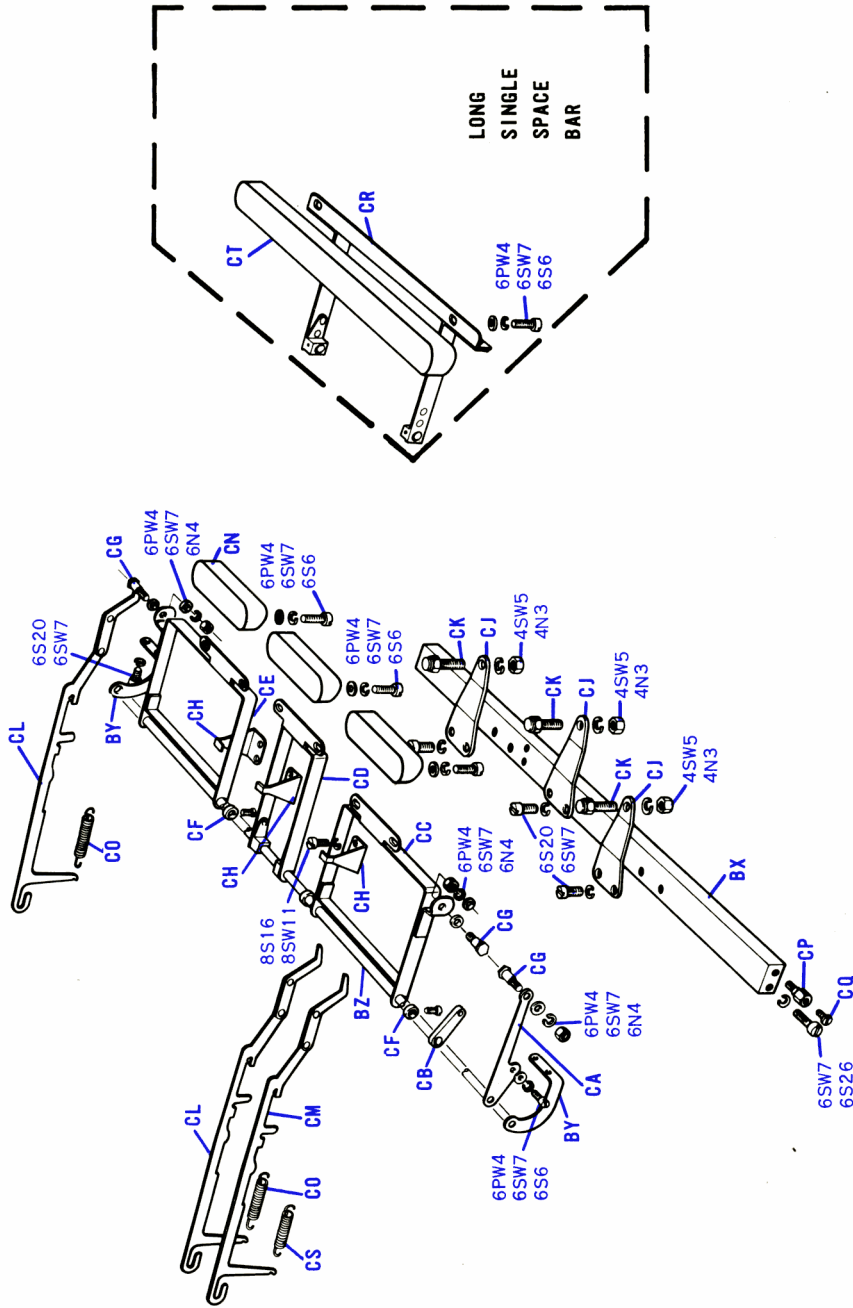


FIG. 7.33 KEYBOARD SPACE BAR MECHANISM

KEYBOARD UNIT S4008A (Continued)

Index Letter	Part Nos.	Part Name	Index Letter	Part Nos.	Part Name
	3-row Keyboard			4-row Keyboard	
FIGURES, SPACE AND LETTERS BAR			CO		Tension Spring (3 off per unit)
BX	4008/141	Treble Space Bar CP includes:-	CP		Special Hexagon Head Screw
BY	4008/136B	Space Frame Support Bar	CQ		Special Screw
BZ	4008/137	Shift Frame Support	LONG SINGLE SPACE BAR		Long Single Space Bar CP includes:-
CA	4008/140B	Space Frame Spindle	4008/359		Space Frame Support Bar
CB	4008/135	Space Key Lever	4008/136B		Shift Frame Support (3 per unit)
CC	4008/134	Adjustment Block	4008/137		Space Frame Spindle
CD	4008/130	Figures Shift Frame CP	4008/140B		Space Key Lever
CE	4008/169	Space Pad Frame CP	4008/135		Adjustment Block
CF	4008/131	Letter Shift Frame CP	4008/134		Set Collar and Screw
CG	PS5132	Set Collar and Screw (3 per CP)	CS1070		Special Screw
CH	4008/138A	Special Screw (3 per CP)	PS5132		Shift Frame Stop
CJ	4008/139	Shift Frame Stop	4008/138A		Shift Pad Stop
CK	1855/325	Shift Pad Stop	4008/139		Special Stop Screw CP (2 per unit)
CL	4008/120B	Special Stop Screw CP	1855/325		Long Space Pad Frame CP
CM	4008/225A	Shift Dummy Keybar CP (2 per CP)	4008/385		Space Dummy Keybar CP
CN	4008/146	Space and Shift Pad (Plain)	4008/225A		Special Hexagon Head Screw
	or 4008/151	Space and Shift Pad (Moulded Character)	PS5686		Special Screw
			PS5289		Tension Spring
			PG7558		Long Space Pad
			CT		Long Space Pad

KEYBOARD UNIT S4008A (Continued)

Index Letter	Part Nos.		Part Name
	3-row Keyboard	4-row Keyboard	
CU	4008/4D	4008/4D	Combination Bar Unit (for machines without Tape Reader Facility) includes:-
CV	4008/221	4008/221	Combination Bar Unit (for machines with Tape Reader Facility) includes:-
CW	4008/61A	4008/61A	Combination Bar Sub-Assembly (used on Group 1) includes:-
CX	4008/207	4008/207	Combination Bar Sub-Assembly (used on Group 2) includes:-
CY	4008/84	4008/84	Key Board Main Frame CP
TRIP MECHANISM	4008/106B	4008/106B	Comb Bar Support CP (RH)
CZ	4008/241	4008/241	Clamp Plate (2 per unit)
DA	4008/237	4008/237	Trip Mechanism CP includes:-
DB	4008/240	4008/240	Trip Mechanism Base Plate
DC	4008/239	4008/239	Bracket CP
DD	4008/242	4008/242	Trip Mechanism Bracket
DE	4008/104	4008/104	Nut Plate CP
DF	4008/105	4008/105	Spacer
DG	4008/185	4008/185	Comb Bar Lever
DH	4008/103A	4008/103A	Comb Bar Lever Pin
DI	4008/101	4008/101	Comb Bar Lever Latch CP
DJ	4008/101	4008/101	Comb Bar Lever Latch CP
DK	4008/101	4008/101	Latch Control Lever CP
DL	4008/101	4008/101	Shim (0.005 in.)
DM	4008/101	4008/101	Special Hexagonal Nut
DN	4008/235	4008/235	Shouldered Screw
DO	4008/97B	4008/97B	Tension Spring (2 per CP)
DP	4008/97B	4008/97B	Latch Control Stop
DQ	4008/97B	4008/97B	Trip Lever CP
DR	4008/97B	4008/97B	Shouldered Bush
DS	4008/99	4008/99	Special Spring
DT	4008/99	4008/99	Special Washer (2 per CP)
DU	4008/99	4008/99	Trip Lever Pawl
DV	4008/99	4008/99	Special Spring
TRANSFER BELLCRANKS AND PUSH ROD STAND	4008/70	4008/70	Roller
DW	4008/65A	4008/65A	Transfer Bellcrank CP includes:-
DX	4008/66	4008/66	Transfer Bellcrank Carrier
DY	4008/67	4008/67	Bellcrank Rack
DZ	4008/68	4008/68	Code Transfer Bellcrank (6 per CP)
EA	4008/68	4008/68	Bellcrank Separator (5 per CP)
EB	4008/68	4008/68	Felt Lubricator (12 per CP)
EC	4008/64A	4008/64A	Bellcrank Pivot
ED	4008/88	4008/88	Bellcrank Stand CP
DOWEL BLOCKS AND BEARINGS	4008/196A	4008/196A	Clamp Plate (2 per CP)
EE	4008/162	4008/162	Shiftlock Bearing CP (LH)
EF	4008/203	4008/203	Shiftlock Bar Centre Bearing
EG	4008/194	4008/194	Shiftlock Bearing Plate (RH)
EH	4008/194	4008/194	Shiftlock Bearing (RH)
EJ	4008/194	4008/194	Dowel Clip CP (4 per CP)
EK	4008/195	4008/195	Clamp Plate (2 per CP)
EL	4008/268	4008/268	Locking Bar Support
EM	4008/82A	4008/82A	Locking Bar Support (2 per CP)
EN	4008/379	4008/379	Shim (2 per CP)
EO	4008/378	4008/378	Shim
EP	4008/378	4008/378	Cover Plate (for machines with Tape Reader Facility)
EQ	4008/378	4008/378	Cover Plate (for machines with Tape Reader Facility)
ER	4008/267	4008/267	Keep Plate (for machines with Tape Reader Facility)
ES	4008/245	4008/245	Trip Bracket Assembly CP includes:- (for machines with Tape Reader Facility)
ET	4008/246	4008/246	Trip Bracket Assembly CP includes:- (for machines with Tape Reader Facility)
EU	4008/246	4008/246	Trip Bracket Assembly CP includes:- (for machines with Tape Reader Facility)
EV	4008/246	4008/246	Trip Bracket Assembly CP includes:- (for machines with Tape Reader Facility)
EW	4008/246	4008/246	Trip Bracket Assembly CP includes:- (for machines with Tape Reader Facility)
EX	4008/246	4008/246	Trip Bracket Assembly CP includes:- (for machines with Tape Reader Facility)
EY	4008/246	4008/246	Trip Bracket Assembly CP includes:- (for machines with Tape Reader Facility)
EZ	4008/246	4008/246	Trip Bracket Assembly CP includes:- (for machines with Tape Reader Facility)
COMBINATION BARS	4008/58	4008/58	Set of Combination Bars CP (for machines without Tape Reader Facility) comprises:-
FA	4008/113	4008/113	Shift Lock Bar CP
FB	4008/110	4008/110	Run Out Bar CP
FC	4008/57	4008/57	Combination Bar CP (5 per unit) When ordering these parts state marking on each bar
FD	4008/55	4008/55	Trip Bar CP
FE	4008/53A	4008/53A	Locking Bar CP
FA	4008/113	4008/113	Set of Combination Bars CP (for machines with Tape Reader Facility) comprises:-
FF	4008/116	4008/116	Shift Lock Bar CP
FG	4008/116	4008/116	Run Out Bar CP
FH	4008/116	4008/116	Combination Bar CP (5 per unit) When ordering these parts state marking on each bar
FI	4008/116	4008/116	Trip Bar CP
FJ	4008/53A	4008/53A	Locking Bar CP
FK	4008/53A	4008/53A	Shim (0.005 in.) 2 per unit
FL	4008/53A	4008/53A	Shimlock Upper Bearing
FM	4008/53A	4008/53A	Tension Spring (on machines less Tape Reader with Tape Reader 1 used per unit on item FA only)
FN	4008/53A	4008/53A	Tension Spring (on machines with Tape Reader 5 used per unit on item FG)
FO	4008/116	4008/116	Tension Spring
FP	4008/116	4008/116	Comb Bar Retainer
FQ	4008/116	4008/116	Bias Spring Block
FR	4008/116	4008/116	Shift Lock Bias Spring
FS	4008/116	4008/116	Shift Lock Upper Bearing (LH)
FT	4008/116	4008/116	Shift Lock Upper Bearing (RH)
FU	4008/116	4008/116	Shift Lock Upper Bearing (LH)
PR	4008/267	4008/267	Push Rod CP includes:-
PS	4008/245	4008/245	Push Rod Retainer
PT	4008/246	4008/246	Push Rod Top Rack CP
PU	4008/244	4008/244	Push Rod
PV	4008/83	4008/83	Clamp Plate

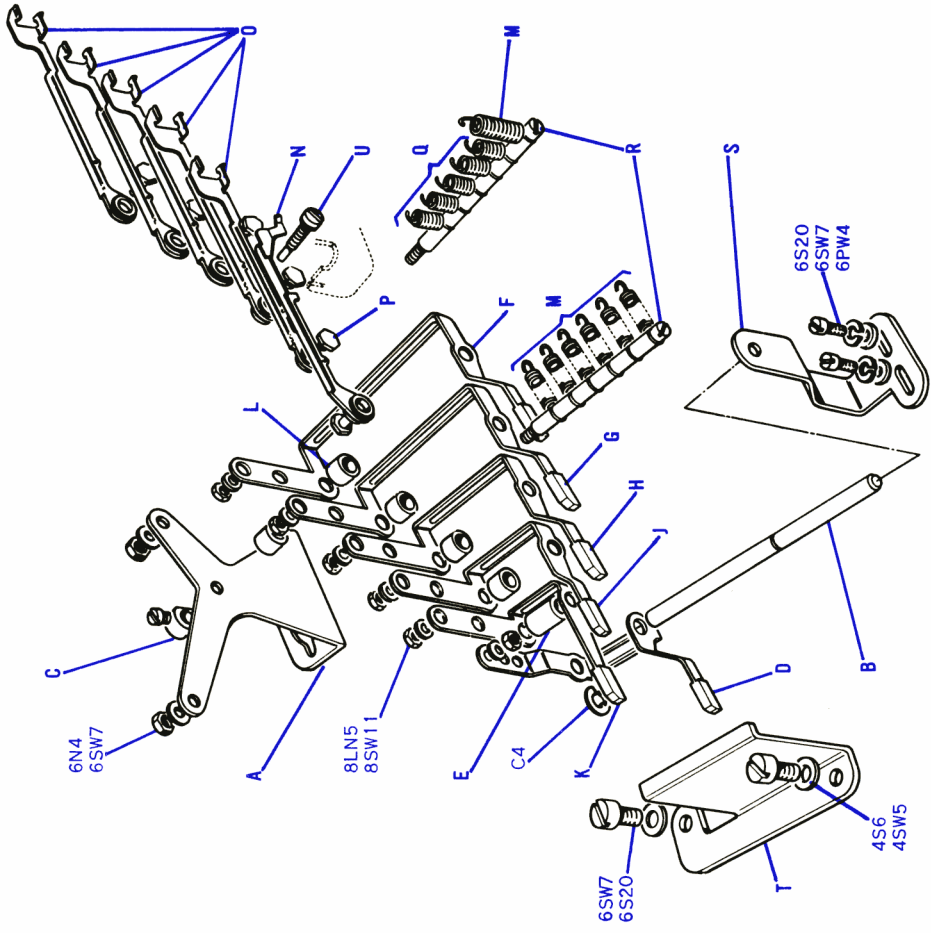


FIG. 7.35 SELECTOR FRAMES UNIT S4006

SELECTOR FRAMES UNIT S4006

Index Letter	Part No.	Part Name
A	4006/10	Selector Frames Rear Bearing
B	4006/11	Selector Frames Pivot Shaft
C	CS1044	Set Collar and Screw
D	4006/13	Trip Frame CP
E	PB4470	Trip Frame Spacing Collar
F	4006/14	Selector Frame No. 1 CP
G	4006/15	Selector Frame No. 2 CP
H	4006/16	Selector Frame No. 3 CP
J	4006/17	Selector Frame No. 4 CP
K	4006/18	Selector Frame No. 5 CP
L	PB4471	Selector Frames Spacing Collar (5 per unit)
M	PG7449	Tension Spring (7 per unit)
N	4006/20	Trip Bar CP
O	4006/19	Selector Bar (5 per unit)
P	PS5127	Special Screw (6 per unit)
Q	PG7450	Tension Spring (5 per unit)
R	PP6218	Spring Anchor Pin (2 per unit)
SELECTOR FRAMES BEARING		
S	4000/35	Selector Frames Front Bearing
T	4000/39	Selector Frames Rack (used only when Answer Back Unit is not fitted)
U	PS5673	Special Screw (assembled to the Translator Unit) assembled to Main Base

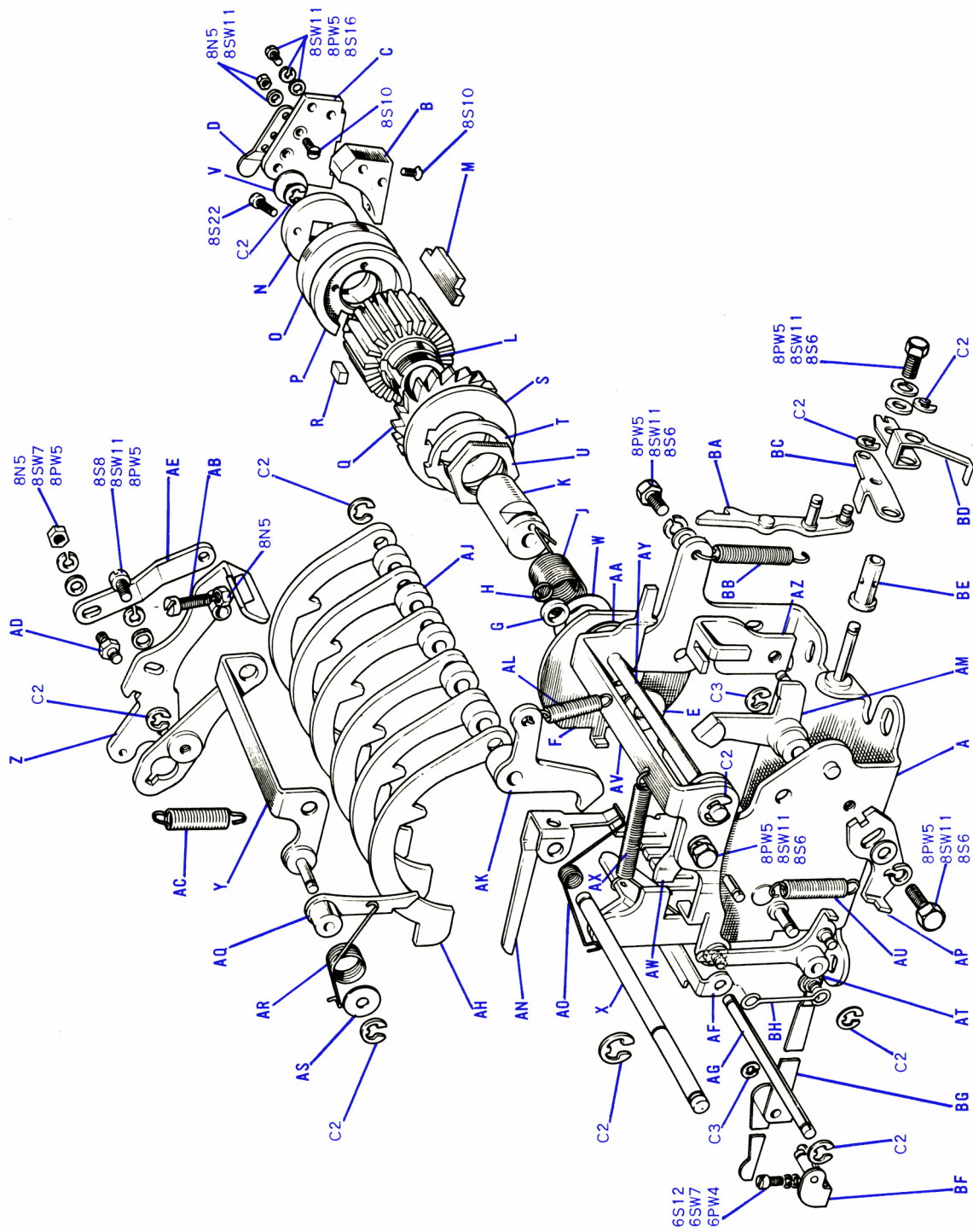


FIG. 7.36 ANSWER BACK UNIT S4017A

ANSWER BACK UNIT S4017A

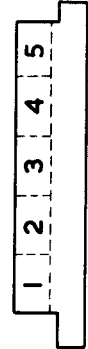
Index Letter	Part No.	Part Name
A	4017/79	Answer Back Frame CP (comprises frame with pins pressed in)
B	4017/56	Bearing Plate Fixing Block
C	4017/59	Ward Drum Spindle Support
D	4017/42	Suppressor Link Retainer
E	PW5484	Special Washer (5 max, quantity as required)
F	4017/63	Lag Disk CP
G	RL1242	Lag Disk Roller
H	4017/41	Roller Retaining Ring
J	PG7615	Lag Disk Spring
K	4017/61	Ward Drum Sleeve
L	4017/69	Ward Drum CP
M	4216/1 TO 33	Answer Back Wards (see next column)
N	4017/68	Cam Clamping Ring
O	4017/67	Latch Trip Cam
P	4017/66	Starting Lever Cam
Q	4017/65	Answer Back Drum Feed Ratchet
R	4017/46	Ward Drum Key
S	4017/45	Stop Plate Spacer
T	4017/64	Ward Drum Stop Plate
U	PNS136	Special Nut
V	PW5849	Special Washer (5 max, quantity as required)
W	PW5698	Selector Lever Spindle
X	4017/52	Latch and Trip Lever CP includes:-
Y	4017/71	Trip Operating Bellcrank CP
Z	4017/33	Latch Adjusting Lever CP
AA	PW5508	Shim (0.005 in.) quantity as required
AB	PS6547	Adjustment Screw
AC	PG7619	Tension Spring
AD	PP9277	Suppressor Link Clamping Screw
AE	4017/60	Suppressor Link
AF	4017/43	Push Rod Suppressor CP
AG	4017/35	Push Rod Suppressor Spindle
AH	4017/47	Answer Back Selector Lever (6 per unit)
AJ	PB4632	Collar (5 per unit)
AK	4017/48	Ratchet Retention Pawl CP
AL	PG7618	Tension Spring
AM	4017/17A	Lag Disk Release Pawl CP
AN	4017/31	Release Pawl Latch
AO	PG3278	Trip Spring
AP	4017/80	Trip Adjustment Lever
AQ	4017/34	Latch Trip Lever CP
AR	PG3279	Latch Trip Lever Spring
AS	PW5682	Special Washer
AT	4017/32	Release Lever Catch CP
AU	PG7616	Tension Spring
AV	4017/96	Adjustment and Release Lever CP includes:-
AW	4017/76	Answer Back Release Lever CP
AX	4017/51	Adjustment Arm CP
AY	PG7679	Tension Spring
AZ	4017/38	Release Lever Spindle
BA	4017/77	Trip Arm Guide
BB	4017/75	Release Lever Trip Arm CP
BC	PG7617	Tension Spring
BD	4017/49	Trip Bellcrank Extension CP
BE	4017/72	'Here Is' Trip Bellcrank
	4017/50	Trip Bellcrank Sleeve

THE FOLLOWING PARTS, REQUIRED ONLY WHEN THE ABOVE UNIT IS FITTED, DO NOT FORM PART OF S4017A ANSWER BACK UNIT

4000/175 Transfer Lever CP includes:-
 4000/20 Transfer Lever Bracket CP
 4000/168 Transfer Lever Sub CP
 4000/169 Transfer Lever Link

ANSWER BACK UNIT WARDS

The table below lists the wards which can be used in the Model Seventy Five Answer Back Unit. The numbers in the column headed Signals Code indicate uncut divisions on the wards and these produce 'Mark' signals, the unnumbered spaces indicate cut away divisions and produce 'Space' signals. The diagram below of a twice full size ward shows the order of numbering the divisions. The letters, figures and symbols shown against each ward are those produced if the machine is arranged to operate on the International Code No.2. Each ward is stamped with the suffix of its part number.



SIGNALS CODE	PART NUMBER	SIGNALS CODE	PART NUMBER	LINE FEED
1 - - -	4216/20	- 2 - - -	4216/29	I 8
1 2 - - -	4216/15	- 2 3 - -	4216/14	R 4
1 - 3 - -	4216/8	- 2 - 4 -	4216/18	L)
1 - - 4 -	4216/12	- 2 - - 5	4216/4	C :
1 - - - 5	4216/26	- 2 3 4 -	4216/3	P 0
1 2 3 - -	4216/13	- 2 3 - 5	4216/6	G
1 2 - 4 -	4216/7	- 2 - 4 5	4216/10	V =
1 2 - - 5	4216/2	- 2 3 4 5	4216/11	SPACE
1 2 3 4 -	4216/22	- - 3 - -	4216/31	N ,
1 2 3 - 5	4216/24	- - 3 4 -	4216/9	H
1 2 - 4 5	4216/27	- - 3 - 5	4216/19	M *
1 3 4 -	4216/16	- - 3 4 5	4216/21	CARRIAGE RETURN
1 3 - 5	4216/25	- - - 4 -	4216/30	0 9
1 - 3 4 5	4216/17	- - - 4 5	4216/1	T 5
1 - - 4 5	4216/23	- - - - 5	4216/5	ALL SPACE
1 2 3 4 5	4216/28	- - - - -	4216/32	

In addition to the above, a blank is available, made from cast steel for ease of hardening, to enable customers to cut their own wards. The part number of this blank is 4216/33.

TRANSMITTER UNIT S4016C

Index Letter	Part No.	Part Name	METHOD OF OPERATION	TYPE OF CONTACT*	LENGTH	PART NO.
		Contact Mounting Plate CP				
A	4275/22	Contact Assembly 'A' CP	Controlled by Bell Switch Arm operated by Function Bars 8 and or 9, or pulsed by Function Reset Bar CP	Break	2.5/16"	4016/42
B	4016/33	Contact Assembly 'B' CP		Make	2.5/16"	4016/105
C	4016/34	Contact Assembly 'C' CP	Pulsed by Function Bar in position 8	Break	1.15/16"	4016/96
D	4016/35	Start and Stop Contact CP (2 per unit)		Make	1.15/16"	4016/111
E	4016/36	Send/Receive Contact Assembly	Controlled by WRU? Switch Arm operated by Function Bar 5, or pulsed by Function Reset Bar CP	Break	2.5/16"	4016/38A
F	4016/117	18-way Plug (McMurdo type MP118)		Make	2.5/16"	4016/112
G	80 7733/1	Cover Bracket CP	Pulsed by Function Bar in position 5	Break	1.15/16"	4016/71A
H	4016/75	Contact CP includes:- Abutment and Control Plate Spacing Block Alarm Buffer Spring Insulator (4 per contact bank) Contact CP (used in the upper position on Break* contacts and the lower position on Make* contacts)		Make	1.15/16"	4016/110
I	4016/113	Contact CP (used in the lower position on Break* contacts and the upper position on Make* contacts)				
J	4016/43	Upper Contact Spring CP				
K	PE5117	Lower Contact Spring CP				
L	1835/29	Insulator (2 per contact bank)				
M	PE5004A	Switch Clamping Plate				
N	4016/40	Transmitter Cover CP				
O	or 1835/31	Shouldered Screw (3 per unit)				
P	See table next column	Shouldered Pillar				
Q	PE1007A					
R	1835/28					
S	4151/308					
T	FS5672					
U	PP7981					

* The 'Make' and 'Break' conditions referred to above apply when the contacts are removed from the machine

Index Letter Part No.

A 4275/22

CODE CONTACTS

B 4016/33

C 4016/34

D 4016/35

E 4016/36

F 4016/117

G 80 7733/1

H 4016/75

CONTROL CONTACTS

J 4016/113

K 4016/43

L PE5117

M 1835/29

N PE5004A

O 4016/40

or 1835/31

P See table

next column

Q PE1007A

R 1835/28

S 4151/308

T FS5672

U PP7981

SIGNALS RADIO INTERFERENCE SUPPRESSION UNIT 4275/33

<i>Index Letter</i>	<i>Part No.</i>	<i>Part Name</i>
	S3742	Signals R. I. S. Box CP includes:-
A	3742/9	Signals R. I. S. Base CP
B	3742/6	Signals R. I. S. Screen CP
C	PE2008	Insulating Bush } 6 off each per CP
D	226376	Inductor Coil 530 μ H } 6 off each per CP
E	PW5459	Special Washer (2 per CP)
F	BO 2845	Capacitor 0.1 μ F 350V (2 per CP)
G	3742/13	Insulator
H	3742/12	Bracket CP
I	3742/10	Insulator
J	BO 3045	Capacitor 0.005 μ F 350V (6 per CP)
K	BO 1701	Insulating Bead (18 per unit)
L	BO 2878/4	Resistor 47 ohm, \pm 5% 4 $\frac{1}{2}$ W
M	BO 2878/4	Resistor 220 ohm, \pm 5% 4 $\frac{1}{2}$ W
N	BO 3548/18	Signals R. I. S. Cover CP
O	3742/3	R. I. S. Unit Connection Block Cableform CP
P	4275/19	R. I. S. Unit Connection Block Cableform CP
Q	4275/20	R. I. S. Unit Connection Block Cableform CP

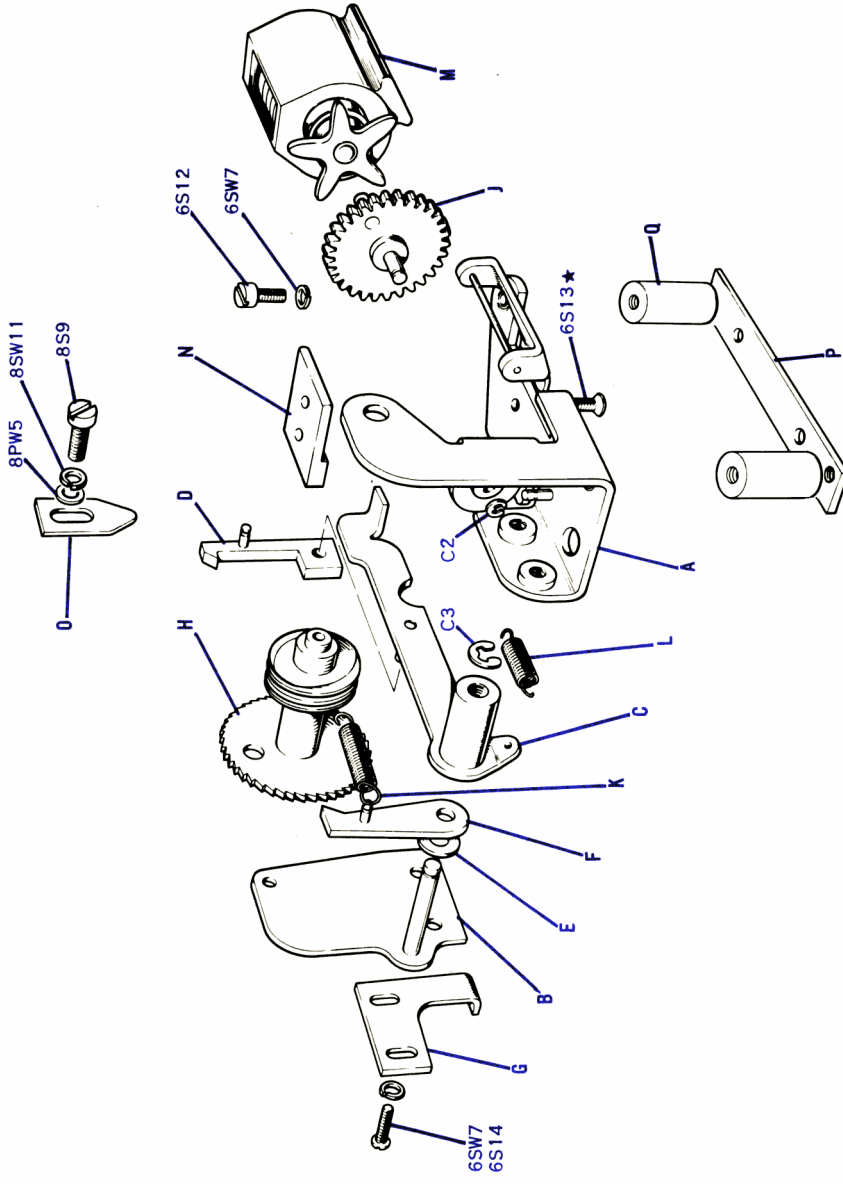


FIG. 7.39 OPERATION COUNTER S4020B

OPERATION COUNTER S4020B

<i>Index Letter</i>	<i>Part No.</i>	<i>Part Name</i>
A	4020/1B	Mounting Plate Sub CP
B	4020/13	Side Plate CP includes:-
	4020/11	Side Plate Sub CP
	4020/10	Actuating Lever CP includes:-
C	4020/7	Actuating Lever Sub CP
D	4020/9	Pawl CP
E	PW5797	Special Washer (2 per CP)
F	4020/17	Retention Pawl CP
G	4020/18	Side Plate Bracket
H	4020/14	Ratchet and Worm Shaft
J	4020/4A	Worm Wheel CP
K	Pg7531	Tension Spring
L	Pg7532	Tension Spring
M	B0 2917/1	Operation Counter
N	4020/31	Clamping Plate CP
O	4020/20	Compensator Cam Lever Extension
P	4020/19B	Support Bar
Q	PB5093	Bush (2 per assembly)

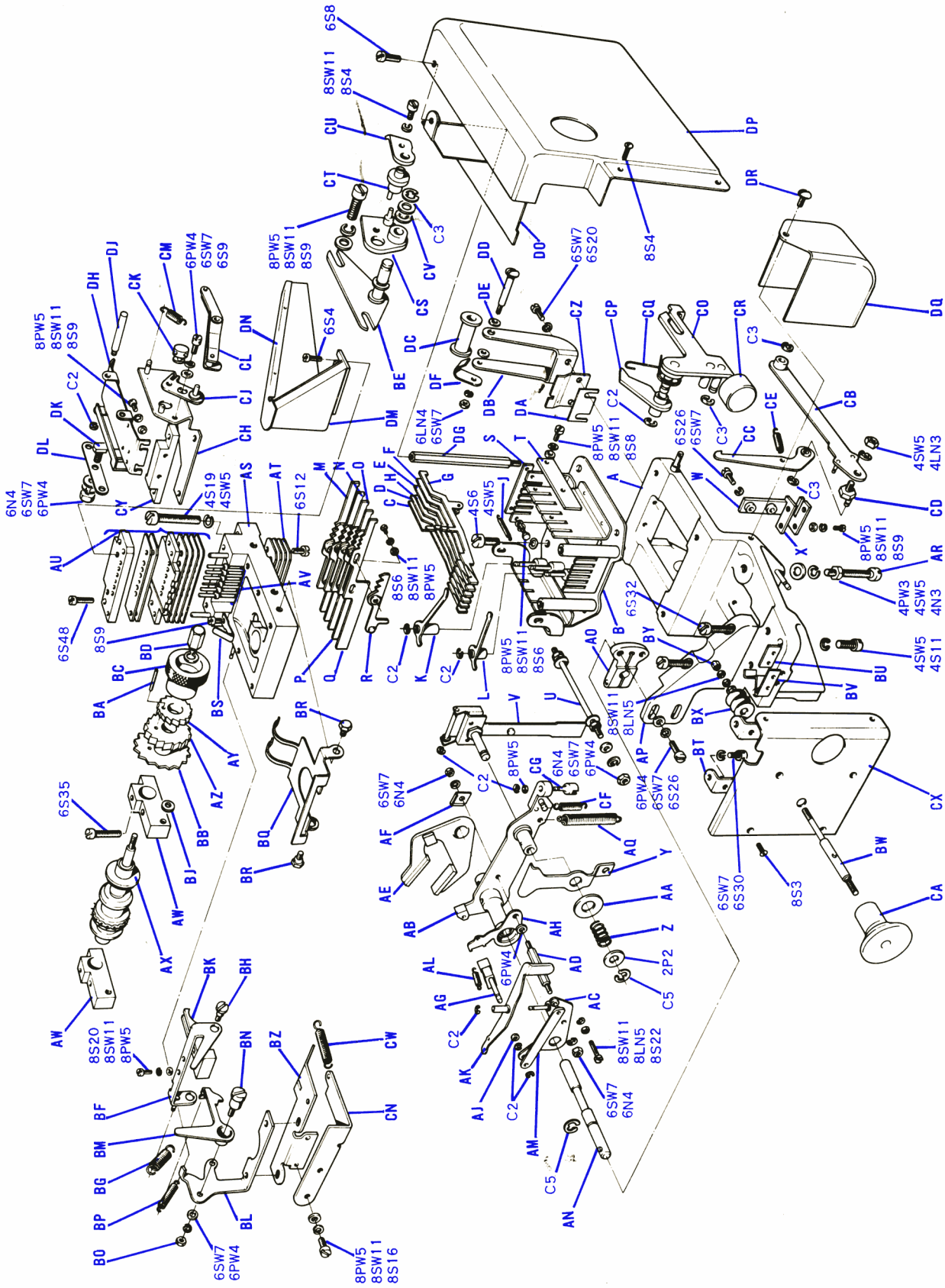


FIG. 7.40 REPERFORATING UNIT S4022A

REPERFORATING UNIT S4022A { GROUP 1 for Centre Feed Machines
GROUP 2 for Advance Feed Machines

Part Name

Part No.

Index Letter

Index Letter	Part No.	Part Name
A	4022/2	Reperforating Support Bracket CP (comprises machined and enamelled casting with pins driven in)
B	4242/50	Base Plate Unit includes:-
C	4242/51	Base Plate and Racks CP
D	4022/3	Selector Bar No.1
E	4022/4	Selector Bar No.2
F	4022/5	Selector Bar No.3
G	4022/6	Selector Bar No.4
H	4022/7	Selector Bar No.5
J	4022/8A	Feed Hole Interposer
K	4022/19	Tension Spring (5 per CP)
L	4022/21	Selector Bellcrank (Upper) CP (3 per CP)
M	4022/22	Selector Bellcrank (Lower) CP (2 per CP)
N	4022/23	Push Rod No.1
O	4022/24	Push Rod No.2
P	4022/25	Push Rod No.3
Q	4022/26	Push Rod No.4
R	4022/10	Push Rod No.5
S	4022/27	Adjustment Plate CP (5 per CP)
T	4022/28	Retaining Plate (short)
U	4022/81	Retaining Plate (long)
ANVIL AND RACK		
V	4022/71	Anvil CP
W	4022/77	Guide Rack CP
X	4022/80	Retaining Plate
PUNCH WITHDRAWAL PLATE		
Y	4022/79	Punch Withdrawal Plate
Z	PG5146	Compression Spring
AA	PW5226	Shim (0.005 in.)
PUNCHING ARM ASSEMBLY		
	4022/62	Punching Arm Assembly includes:-
AB	4022/49	Punching Arm CP
AC	4022/57	Support Plate CP
AD	PP9198	Flanged Pin
AE	4022/53A	Driving Plate CP
AF	4022/92A	Driving Plate Retainer
AG	4022/60	Interposer
AH	4022/61	Retainer
AJ	PW5736	Special Washer
AK	4022/55	Reperforating Out Lever CP
AL	PG7527	Tension Spring
AM	PG2165	Spring
AN	4014/146	Special Pivot
AO	4022/31	Pivot Clamp
AP	4022/78	Clamp Block Support
AQ	PG7528	Tension Spring
AR	PS6121	Special Screw
PUNCH BLOCK		
	4022/66B GRP1	Punch Block Head Sub CP (Centre Feed) } includes:-
	4022/66B GRP2	Punch Block Head Sub CP (Advance Feed) }
AS	4022/64A	Punch Block Head Casting CP
AT	1947/275	Bottom Guide Plate (Centre Feed) 4 per CP
	1947/274	Bottom Guide Plate (Advance Feed) 4 per CP
	4022/152	Punch and Die Assembly (Centre Feed) } includes:-
AU	4022/153	Punch and Die Assembly (Advance Feed) }
	4022/150	Die Assembly (Centre Feed)
	4022/151	Die Assembly (Advance Feed)
AV	4022/65	Set of Punches
FEED SPINDLE AND RATCHET		
AW	1947/239B	Bearing Block RH and LH (1 of each per unit)
AX	1947/263A	Feed Spindle CP
AY	1947/268	Feed Ratchet (small diameter)
AZ	4022/129	Feed Ratchet (large diameter)
BA	PP6809	Special Parallel Pin
BB	4022/84	Retention Wheel
BC	KN1032	Feed Wheel Knob
BD	PN5038	Special Nut
BE	4242/25	Support Pin
BF	1947/317A	Tape Guide Frame CP
BG	PG7388A	Tension Spring
BH	PS5640	Special Screw (2 per CP)
BJ	PW5649	Special Washer
BK	1947/323A	Tape Guide
BL	1947/321A	Latch Support
BM	1947/318	Tape Guide Frame Latch CP
BN	PS5637	Eccentric Screw
BO	PN5107	Special Nut
BP	PG7078	Tension Spring
BQ	1947/319A	Stripper Spring
BR	PS5138	Pivot Screw (2 per CP)
BS	PG2123	Stripper Lift Spring
INTERPOSING ROD AND SUPPORT		
BT	4022/30A	Support Bracket CP
BU	4022/108	Support Plate
BV	PG2139	Control Spring
BW	PS7174	Control Rod
BX	4022/107	Retaining Sleeve
BY	PN5106	Special Nut
BZ	4242/24	Pawl Guide
CA	KN1034A	Knob
FEED LEVER AND PAWL		
CB	4022/43	Feed Lever CP
CC	4022/41	Feed Pawl CP
CD	EC1590	Eccentric
CE	PG7525A	Tension Spring
CF	PG7526B	Tension Spring
CG	4022/82	Joint Piece
RETENTION LEVER		
CH	4022/75	Retention Lever Bracket CP
CJ	1947/79	Adjusting Arm CP
CK	EC5040	Eccentric
CL	4022/132	Retention Lever CP
CM	PG7669	Tension Spring
BACKSPACE MECHANISM		
CN	4242/1	Back Spacing Pawl Guide
	4242/5	Pawl Carrier Assembly includes:-
CO	4242/6	Pawl Carrier CP
CP	4242/8	Back Space Pawl CP
CQ	PG3304	Torsion Spring
CR	KB1006	Key Button
CS	4242/2	Eccentric Carrier CP
CT	EC1624	Eccentric
CU	4242/4	Clamp Plate
CV	PW6694	Washer (2 per unit)
CW	PG7176	Tension Spring
CX	4022/37B	Front Guide Plate
CY	4022/104	Mounting Block
CZ	4022/96A	Stop Plate
DA	4022/97	Shim (as required)
DB	4022/86	Roller Bracket
DC	3886/142	Tape Roller
DD	PS5687A	Shouldered Screw
DE	PW5691	Special Washer (2 per unit)
DF	4014/115	Tape Retainer
DG	4022/87	Cover Pillar
DI	4022/147	When a Reperforating Attachment is fitted, do not form part of S4022A Reperforating Unit
DJ	4022/142	Lateral Tape Guide CP includes:-
	4022/102	Lateral Tape Guide 1st CP
	4022/146	Tape Retainer
DK	4022/144	Guide Spring CP includes:-
DL	4022/145	Guide Shoe
DM	4022/135	Cuttings Chute CP
DN	4022/138	Cuttings Chute Cover
DO	4022/88	Reperforating Top Cover
DP	4022/139	Reperforating Side Cover CP
DQ	4022/89	Side Cover
DR	PS5289	Special Screw

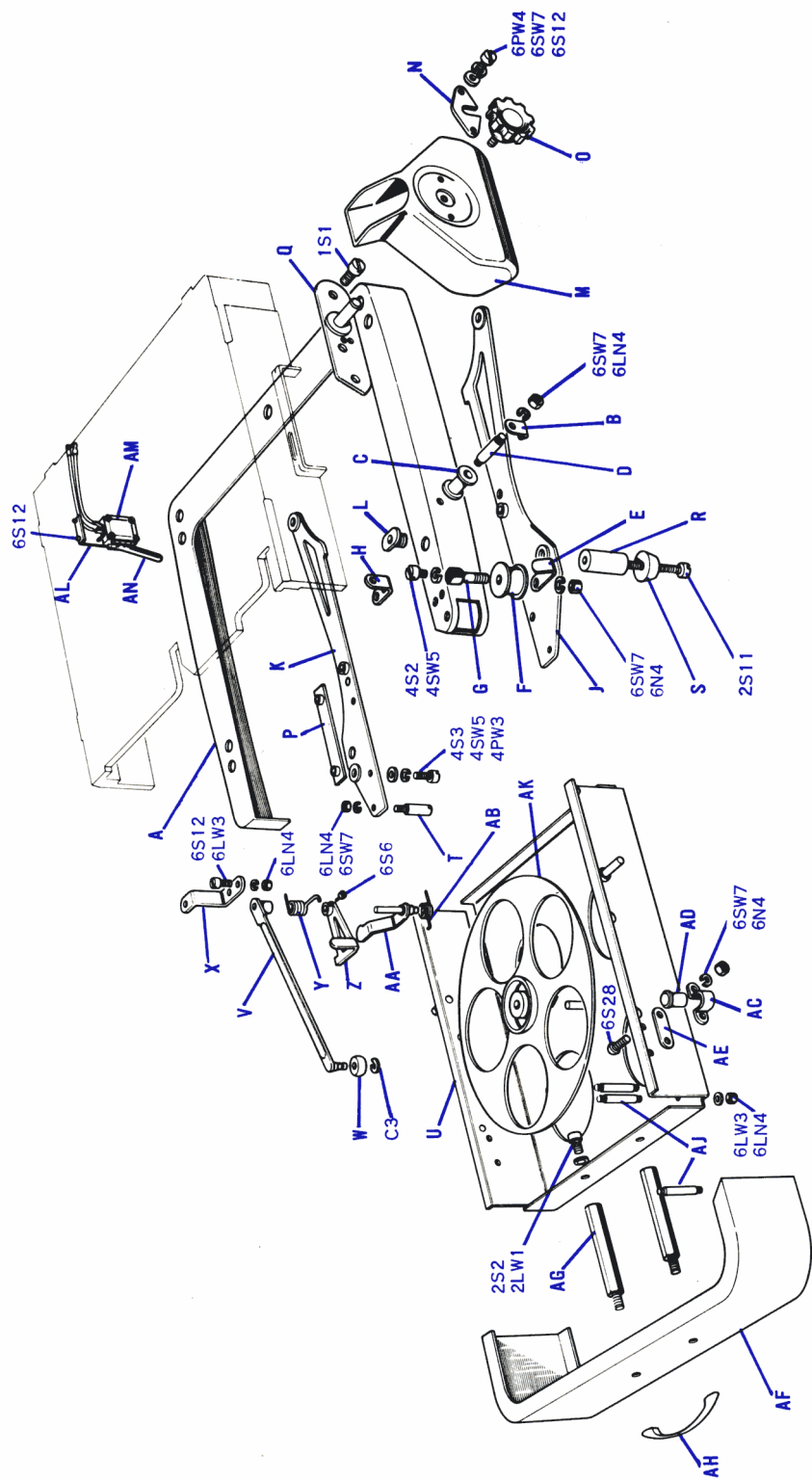


FIG. 7.41 TAPE DRAWER AND DUMMY PLINTH

TAPE DRAWER AND DUMMY PLINTH

Index Letter	Part No.	Part Name	Index Letter	Part No.	Part Name
A	4014/152A	Dummy Plinth CP includes:-	U	4014/87	Tape Drawer 2nd CP includes:-
B	4014/79	Dummy Plinth	V	4014/88	Tape Drawer 1st CP
C	3886/142	Tape Retainer	W	4014/118	Tape Follower Lever CP
D	PP9162	Tape Roller	X	3751/3	Roller
E	4014/99	Flanged Pin	Y	4014/122	Bearing Bracket
F	4014/110	Tape Retainer	Z	PG3225	Torsion Spring
G	4014/80	Tape Roller	AA	4014/116	Stop Frame CP
H	4014/113	Flanged Pin	AB	4014/120	Switch Operating Lever CP
J	4014/81	Cover Bracket	AC	PG3224	Torsion Spring
K	4014/83	Draw Runner (RH) CP	AD	BO 4040/1	Spring Ball Catch } 2 off each per CP
L	PB4916	Draw Runner (LH) CP	AE	4014/91	Packing Piece
M	4014/433	Special Bush (4 per CP)	AF	4014/89	Tape Drawer Front (for machines having 4-row keyboard)
N	4014/431	Cuttings Box CP includes:-	or	4014/139	Tape Drawer Front (for machines having 3-row keyboard)
O	4014/106	Knob Retaining Plate	or	4014/141	Tape Drawer Front (for receiver only machines)
P	4014/405	Cuttings Box Knob	AG	4014/90A	Drawer Front Pillar (2 per unit) for machines having 4-row keyboard
Q	4014/209	Drawer Guide CP			Drawer Front Pillar (2 per unit) for machines having 3-row keyboard
R	4014/402	Cuttings Box Bracket CP	AH	BO 8000/3	Drawer Handle
S	4014/411	Pillar (4 per unit)	AJ	PP3612	Tape Pin (3 per CP for keyboard machines or 2 per CP for receiver only machines)
T	RB1020	Rubber Foot (4 per unit)	AK	4014/145A	Tape Wheel CP
	4014/112	Threaded Pin (2 per unit)	AL	4014/123	Switch Bracket
			AM	4014/153	Microswitch and Connector CP
			AN	BO 3564/2	Microswitch Operating Attachment

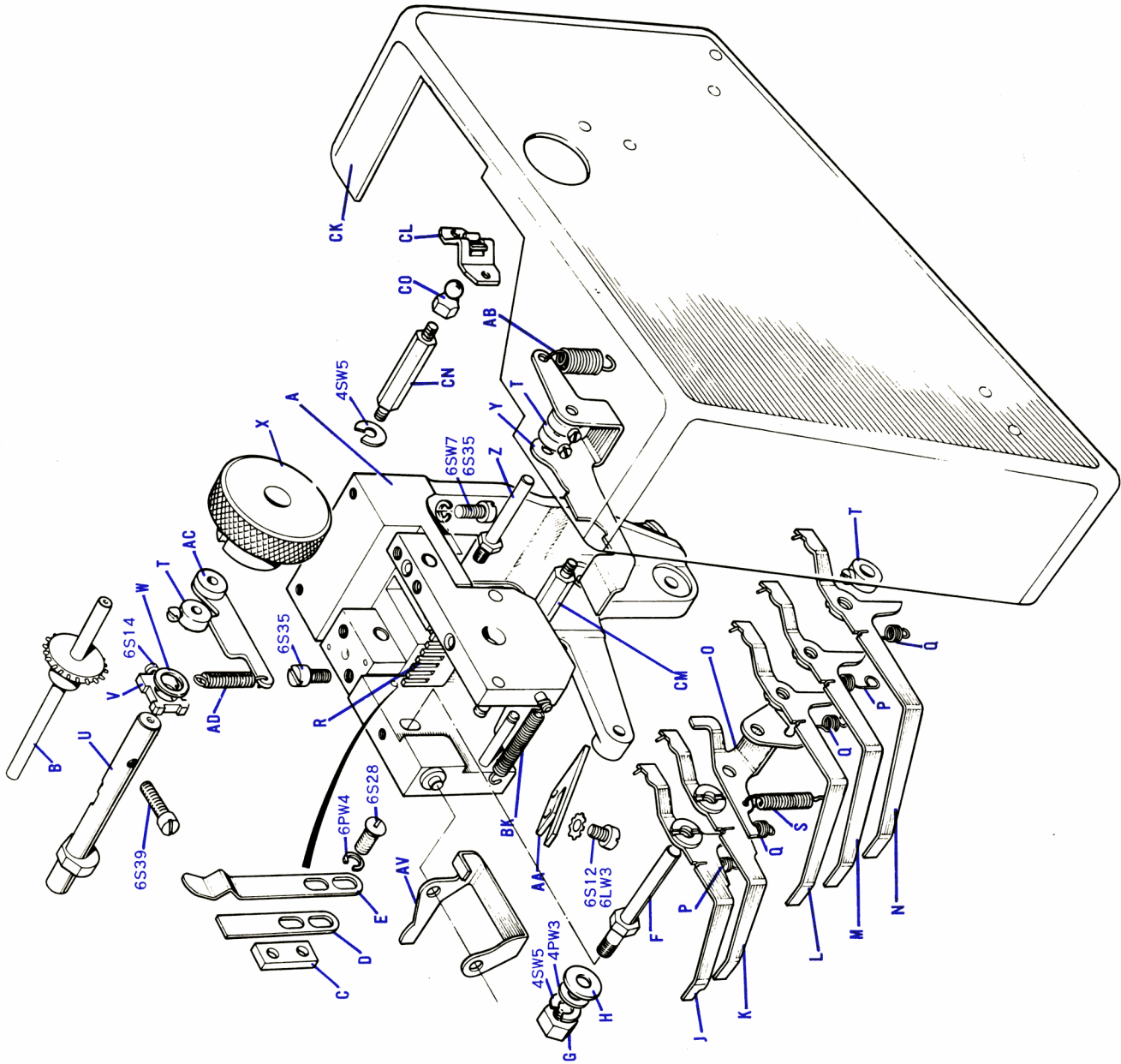


FIG. 7.42 TAPE READER UNIT S4151

TAPE READER UNIT S4151

Index Letter	Part No.	Part Name	Index Letter	Part No.	Part Name
A	4151/264 CRP1	Tape Reader Casting Sub Assembly includes:-	AV	4151/76	Tape Out Frame
B	4151/91	Tape Feed Spindle	AW	4151/220	Code Bars Assembly includes:-
C	4151/116	Spacer	AX	4151/77	Top Rack
D	PG2163	Backing Spring	AY	4151/288	Strap
E	PG3313B	Tape Gate Spring	AZ	4151/127	Code Bar (6 per unit)
F	4151/344	Peckers and Tape Out Seekers CP includes:-	BA	4151/128	Taut Tape Bar
G	PN5138	Pecker Pivot	BB	4151/126	Trip Bar
H	PN5649	Special Nut (4 BA)	BC	4151/162	Top Retaining Plate CP
I	4151/74	Special Washer	BD	4151/161	Rack Plate
J	4151/73	No. 1 Pecker CP	BE	PF5657	Spring Anchor
K	4151/72	No. 2 Pecker CP	BF	4151/80	Bearing Bracket CP
L	4151/71	No. 3 Pecker CP	BG	4151/49	Lower Guide Bracket
M	4151/70	No. 4 Pecker CP	BH	4151/48	Retaining Plate
N	4151/75B	No. 5 Pecker CP	BI	4151/160	Transfer Lever CP
O	PG7667	Tape Out Seeker	BJ	PG3311	Torsion Spring
P	PG7666	Peckers Spring Short (for Peckers numbers 1 and 4)	BK	PG7644	Tension Spring
Q	4151/109	Peckers Spring Long (for Peckers numbers 2, 3 and 5)	BL	PG7101	Tension Spring
R	PG7668	Peckers Rack	BM	PB4913	Spacing Spring
S	CS1021	Set Collar and Screw (3 per assembly)	BN	4151/89	Spacing Bush
T	4151/270A	Jockey Cam	BO	4151/90	Ratchet
U	PN5754	Washer	BP	PF5665	Clamp
V	4151/110	Code Bar Suppressor	BQ	4151/98	Retention Lever Pivot
W	4151/302	Pivot Pin	BR	PF5661	Retention Lever CP
X	4151/251A	Code Bar Suppressor Guide	BS	RL1252	Retention Roller
Y	4151/110	Tension Spring	BT	PG7145A	Tension Spring
Z	PP5662	Tape Plate Assembly includes:-	BU	PF5659	Feed Arm Pivot
AA	4151/221	Bearing Block	BV	4151/219	Feed Lever Sub Assembly includes:-
AB	PG7639	Torsion Spring	BW	4151/83	Feed Pawl
AC	4151/104	Jockey Lever CP	BX	PG3299	Torsion Spring
AD	PG7638	Tension Spring	BY	4151/86	Feed Link CP
AE	4151/124	Tape Plate Assembly includes:-	BZ	4151/87	Feed Latch
AF	4151/115	Side Plate CP	CA	PG3301	Torsion Spring
AG	PG3312	Latch Pin	CB	PB4903	Spacer (Long)
AH	4151/263	Set Collar and Screw	CC	4151/92	Spacer (Short)
AJ	PP5663	Taut Tape Arm	CD	PG7442	Tension Spring
AK	4151/304	Taut Tape Lever CP	CE	PG5094	Eccentric
AL	CS1011	Roller Bracket	CG	PF5660	Pivot Pin
AM	4151/58	Knob	CH	4151/84	Feed Suppression Lever
AN	4151/54	Special Screw	CI	PG7029	Tension Spring
AO	4151/59	Roller (Long)	CK	4151/173	Cover (for machines with Reperforating Attachment)
AP	KN1038	Roller (Short)	CL	4151/254	Cover CP (for machines without Reperforating Attachment) includes:-
AQ	PG7176	Jockey Lever CP	CM	BO 8310/1	Spring Latch (3 per set)
AR	RL1250	Torsion Spring	CN	PP9299	Pillar (4 BA Hex. - 1.7/16 in. long) not shown
AS	RL1251		CO	PP9300	Pillar (2 BA Hex. - 2.1/32 in. long) assembled to Main Base
AT	4151/56			PP9301	Pillar (4 BA Hex. - 1.9/16 in. long)
AU	PG3300A			BO 8310/2	Stud (3 per set)

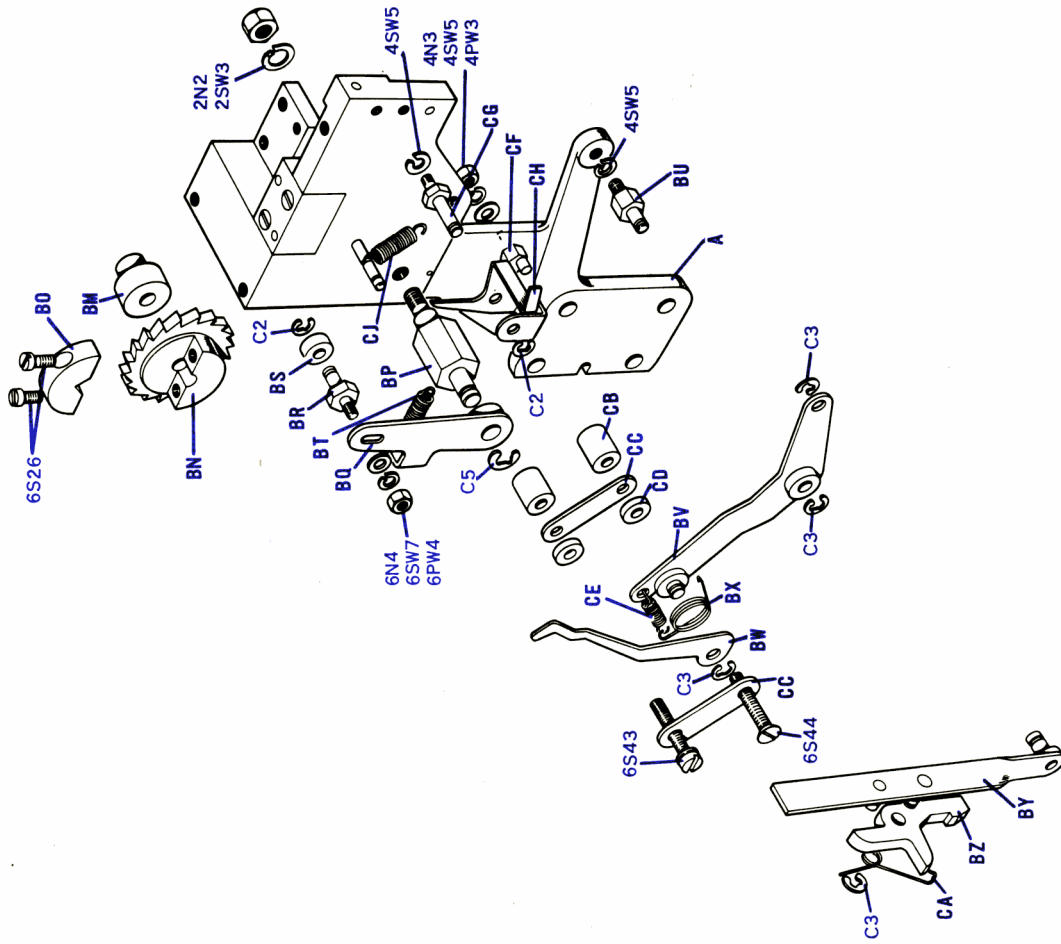


FIG. 7.43 TAPE READER UNIT S4151

TAPE READER UNIT S4151

Index Letter	Part No.	Part Name	Index Letter	Part No.	Part Name
A	4151/264	GRP1	AV	4151/76	Tape Out Frame
B	4151/91		AW	4151/220	Code Bars Assembly includes:-
C	4151/116	Tape Feed Spindle	AX	4151/77	Top Rack
D	PG2163	Spacer	AY	4151/288	Strap
E	PG3313B	Backing Spring	AZ	4151/127	Code Bar (6 per unit)
F	4151/344	Tape Gate Spring	BA	4151/128	Taut Tape Bar
G	PP5658	Peckers and Tape Out Seekers CP includes:-	BB	4151/126	Trip Bar
H	PN5138	Pecker Pivot	BC	4151/162	Top Retaining Plate CP
I	PW5649	Special Nut (4 BA)	BD	4151/161	Rack Plate
J	4151/74	Special Washer	BE	PP5657	Spring Anchor
K	4151/73	No. 1 Pecker CP	BF	4151/30	Bearing Bracket CP
L	4151/72	No. 2 Pecker CP	BG	4151/49	Lower Guide Bracket
M	4151/71	No. 3 Pecker CP	BH	4151/48	Retaining Plate
N	4151/70	No. 4 Pecker CP	BI	4151/160	Transfer Lever CP
O	PG7667	No. 5 Pecker CP	BK	PG3311	Torsion Spring
P	PG7667	Tape Out Seeker	BL	PG7644	Tension Spring
Q	PG7666	Peckers Spring Short (for Peckers numbers 1 and 4)	BM	PG7101	Tension Spring
R	4151/109	Peckers Spring Long (for Peckers numbers 2, 3 and 5)	BN	PB4913	Spacing Bush
S	PG7668	Peckers Rack	BO	4151/89	Ratchet
T	CS1021	Set Collar and Screw (3 per assembly)	BP	4151/90	Clamp
U	4151/270A	Switch Camshaft	BQ	4151/98	Retention Lever Pivot
V	4151/105	Jockey Cam	BR	PP5661	Retention Lever CP
W	PW5754	Washer	BS	RL1252	Retention Roller
X	4151/251A	Switch Knob	BT	PG7145A	Tension Spring
Y	4151/110	Code Bar Suppressor	BU	PP5659	Feed Arm Pivot
Z	PP5662	Pivot Pin	BV	4151/219	Feed Lever Sub Assembly includes:-
AA	4151/302	Code Bar Suppressor Guide	BW	4151/83	Feed Lever CP
AB	PG7639	Tension Spring	BX	4151/81	Feed Pawl
AC	4151/104	Jockey Lever CP	BG	PG3299	Torsion Spring
AD	PG7638	Tension Spring	BY	4151/86	Feed Link CP
AE	4151/221	Tape Plate Assembly includes:-	BZ	4151/87	Feed Latch
AF	4151/124	Tape Plate Final CP	CA	PG3301	Torsion Spring
AG	4151/115	Bearing Block	CB	PB4903	Spacer (Long)
AH	PG3312	Torsion Spring	CC	4151/92	Guide Plate
AJ	4151/263	Side Plate CP	CD	PB4902	Spacer (Short)
AK	PP5663	Latch Pin	CE	PG7442	Tension Spring
AL	CS1011	Tape Gate CP	CF	EC5094	Eccentric
AM	4151/58	Set Collar and Screw	CG	PP5660	Pivot Pin
AN	4151/54	Taut Tape Arm	CH	4151/84	Feed Suppressor Lever
AO	4151/59	Taut Tape Lever CP	CJ	PG7029	Tension Spring
AP	KN1038	Roller Bracket	CK	4151/173	Cover (for machines with Reperforating Attachment)
AQ	PS7176	Knob	CL	4151/254	Cover CP (for machines without Reperforating Attachment) includes:-
AR	RL1250	Special Screw	CM	BO 8310/1	Spring Latch (3 per set)
AS	RL1251	Roller (Long)	CN	PP9299	Pillar (4 BA Hex. - 1.7/16 in. long)
AT	4151/56	Roller (Short)	CO	PP9300	Pillar (2 BA Hex. - 2.1/32 in. long) not shown assembled to Main Base
AU	PG3300A	Jockey Lever CP		PP9301	Pillar (4 BA Hex. - 1.9/16 in. long)
		Torsion Spring		BO 8310/2	Stud (3 per set)

for use with cover 4451/254

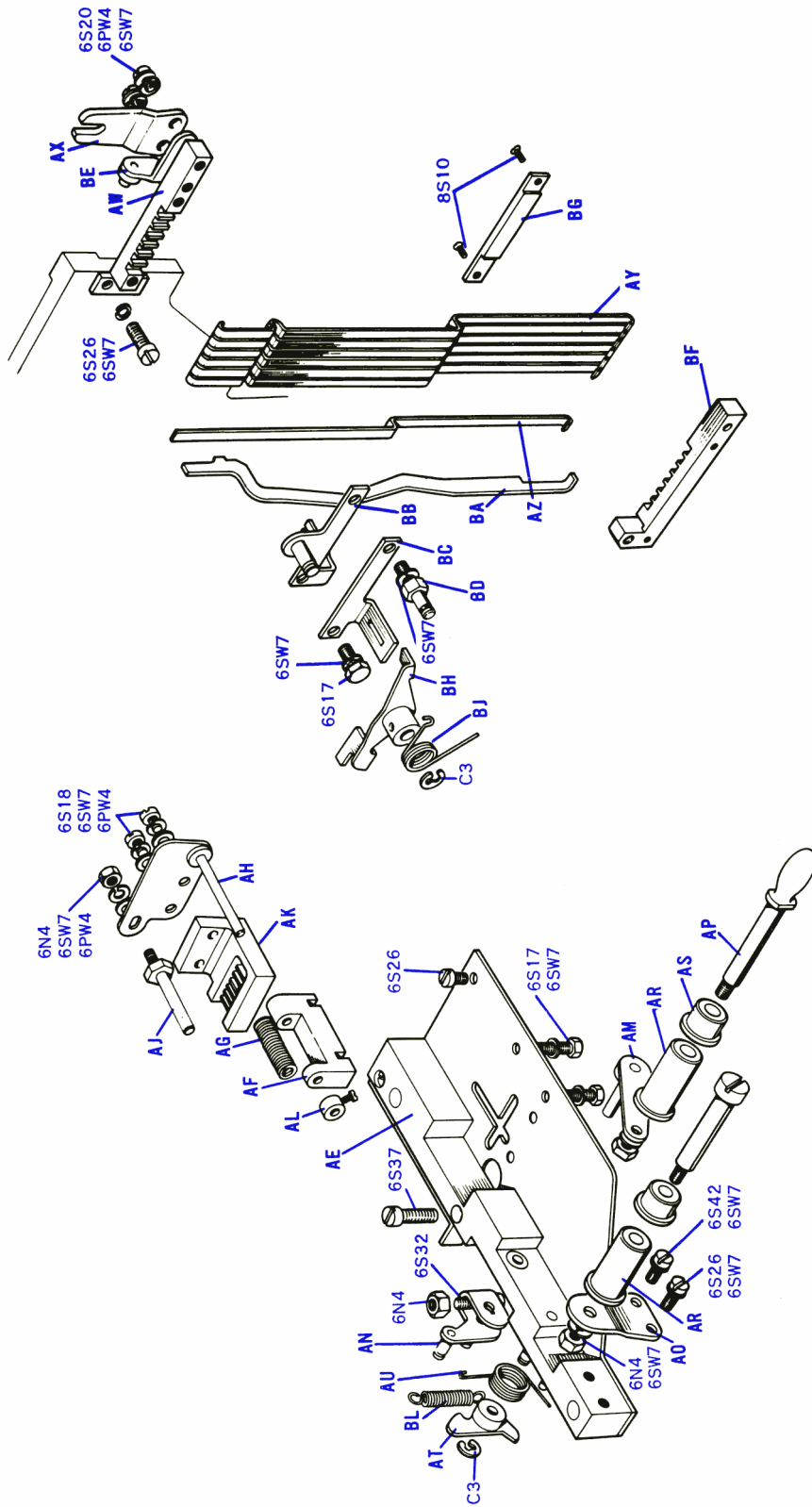


FIG. 7.44 TAPE READER UNIT S4151

TAPE READER UNIT S4151

Part Name

Part No.

Index Letter

Tape Out Frame
Code Bars Assembly includes:-
Top Rack
Strap
Code Bar (6 per unit)
Taut Tape Bar
Trip Bar
Top Retaining Plate CP
Rack Plate
Spring Anchor
Bearing Bracket CP
Lower Guide Bracket
Retaining Plate
Transfer Lever CP
Torsion Spring
Tension Spring
Spacing Bush
Ratchet
Clamp
Retention Lever Pivot
Retention Lever CP
Retention Roller Pivot
Retention Roller
Tension Spring
Feed Arm Pivot
Feed Lever Sub Assembly includes:-
Feed Lever CP
Feed Pawl
Torsion Spring
Feed Link CP
Feed Latch
Torsion Spring
Spacer (Long) } 2 off each per unit
Guide Plate }
Spacer (Short) }
Tension Spring
Eccentric
Pivot Pin
Feed Suppression Lever
Tension Spring
Cover (for machines with Reperforating Attachment)
Cover CP (for machines without Reperforating Attachment) includes:-
Spring Latch (3 per set)
Pillar (4 BA Hex. - 1.7/16 in. long) not shown } for use with
Pillar (2 BA Hex. - 2.1/32 in. long) assembled to Main Base } cover
Pillar (4 BA Hex. - 1.9/16 in. long) } 4151/254
Stud (3 per set)

AV 4151/76
AW 4151/220
AX 4151/77
AY 4151/288
AZ 4151/127
BA 4151/128
BB 4151/126
BC 4151/162
BD 4151/161
BE 4151/80
BF 4151/48
BG 4151/48
BH 4151/160
BJ 4151/162
BK 4151/161
BL P67644
BM P67101
BN P64913
BO 4151/89
BP 4151/90
BQ PP5665
BR 4151/98
BS PP5661
BT RL1252
BU P67145A
BV PP5659
BW 4151/219
BX 4151/83
BY 4151/81
BZ P63299
CA 4151/86
CB P63301
CC P63301
CD P63301
CE P63301
CF P63301
CG P63301
CH 4151/84
CJ P67029
CK 4151/173
CL 4151/254
CM BO 8310/1
CN PP9299
CO PP9300
CP PP9301
CQ BO 8310/2

Tape Reader Casting Sub Assembly includes:-
Tape Feed Spindle
Spacer
Backing Spring
Tape Gate Spring
Peckers and Tape Out Seekers CP includes:-
Pecker Pivot
Special Nut (4 BA)
Special Washer
No. 1 Pecker CP
No. 2 Pecker CP
No. 3 Pecker CP
No. 4 Pecker CP
No. 5 Pecker CP
Tape Out Seeker
Peckers Spring Short (for Peckers numbers 1 and 4)
Peckers Spring Long (for Peckers numbers 2, 3 and 5)
Peckers Rack
Tape Out Spring
Set Collar and Screw (3 per assembly)
Switch Camshaft
Jockey Cam
Washer
Switch Knob
Code Bar Suppressor
Pivot Pin
Code Bar Suppressor Guide
Tension Spring
Jockey Lever CP
Tension Spring
Tape Plate Assembly includes:-
Tape Plate Final CP
Bearing Block
Torsion Spring
Side Plate CP
Latch Pin
Tape Gate CP
Set Collar and Screw
Taut Tape Arm
Taut Tape Lever CP
Roller Bracket
Knob
Special Screw
Roller (Long) } 2 off each per unit
Roller (Short) }
Jockey Lever CP
Torsion Spring

Part No.
4151/264 GRP1
4151/91
4151/116
P62163
P63313B
4151/344
PP5658
PN5138
PW5649
4151/74
4151/73
4151/72
4151/71
4151/70
4151/75B
P67667
P67666
4151/109
P67668
CS1021
4151/270A
4151/105
PW5754
4151/251A
4151/110
PP5662
4151/302
P67639
4151/104
P67638
4151/221
4151/124
4151/115
P63312
4151/263
PP5663
4151/304
CS1011
4151/58
4151/54
4151/59
KN1038
P67176
RL1250
RL1251
4151/56
P63300A

Index Letter

A
B
C
D
E
F
G
H
J
K
L
M
N
O
P
Q
R
S
T
U
V
W
X
Y
Z
AA
AB
AC
AD
AE
AF
AG
AH
AJ
AK
AL
AM
AN
AO
AP
AQ
AR
AS
AT
AU

TAPE READER LINKAGE SYSTEM FOR RECEIVER ONLY MACHINES

When the Tape Reader Attachment is fitted to a machine without a Keyboard a linkage system is fitted between the Selector Frames and the Tape Reader Casting. This linkage comprises:-

Index Letter	Part No.	Part Name
A	4151/244	Dummy Keyboard CP includes:-
B	4151/158	Combination Bed Sub Assembly includes:-
C	4008/4D	Main Frame CP
D	4008/106B	Trip Mechanism CP (for breakdown see page 71)
E	4008/64A	Push Rod Stand CP
F	4008/70	Transfer Bellcrank CP (for breakdown see page 71)
G	4008/61A	Comb Bar Support CP (RH)
H	4008/221	Comb Bar Support CP (LH)
I	4008/207	Shim (2 per CP)
J	4008/84	Clamp Plate (2 per CP)
K	4008/88	Clamp Plate (2 per CP)
L	4151/229	Trip Bracket Assembly includes:-
M	4151/167	Trip Bracket
N	4151/166	Link Bracket
O	PG3302	Torsion Spring
P	PP8101	Pivot Pin
Q	4151/165	Manual Trip Mounting Bracket
R	PG3303A	Torsion Spring
S	PP6914	Link Pivot Pin
T	CS1021	Set Collar and Screw
U	4151/172	Cover Plate
V	4151/45	Keep Plate
W	4151/26	Set of Combination Bars CP includes:-
	4151/16	Run Out Bar CP
	4151/15	Combination Bar CP
	4151/17	Trip Bar CP

Index Letter	Part No.	Part Name
X	4008/87A	Combination Bar Retainer
Y	PG7472	Tension Spring (6 per CP)
Z	PG7077	Tension Spring
AA	PW5729	Shim (2 per CP)
AB	4008/267	Push Rod CP (for breakdown see page 71)
AC	4008/83	Clamp Plate (2 per CP)
AD	4151/153	RH Keyboard Side Plate CP
AE	4151/155	LH Keyboard Side Plate CP
AF	4151/283	Tie Rod
AG	4008/192	Clamp Plate (2 per CP)
AH	4008/26	Trip Slat CP
AJ	PS9271	Cone Point Screw
AK	4151/42	Reset Mechanism CP includes:-
AL	4151/43	Reset Lever Bearing Bracket
AM	4151/36	Comb Bar Reset Lever CP
AN	PP5656	Threaded Pin
AO	PG3307	Torsion Spring
AP	PP6913	Special Parallel Pin
AQ	RL1183	Roller (2 per CP)
AR	RL1249	Roller
AS	PP6912	Special Parallel Pin
AT	4151/44	Roller Pivot Retainer
AU	EC5092	Eccentric
AV	RL1185	Roller
AW	PF1126	Lubricating Washer
AX	PW5689	Special Washer
AY	4151/41	Latch Lever CP
AZ	4151/150	Disable Lever CP
BA	PG7624	Tension Spring
BB	4008/268	Locking Bar Stop Block
	4008/378	Shim

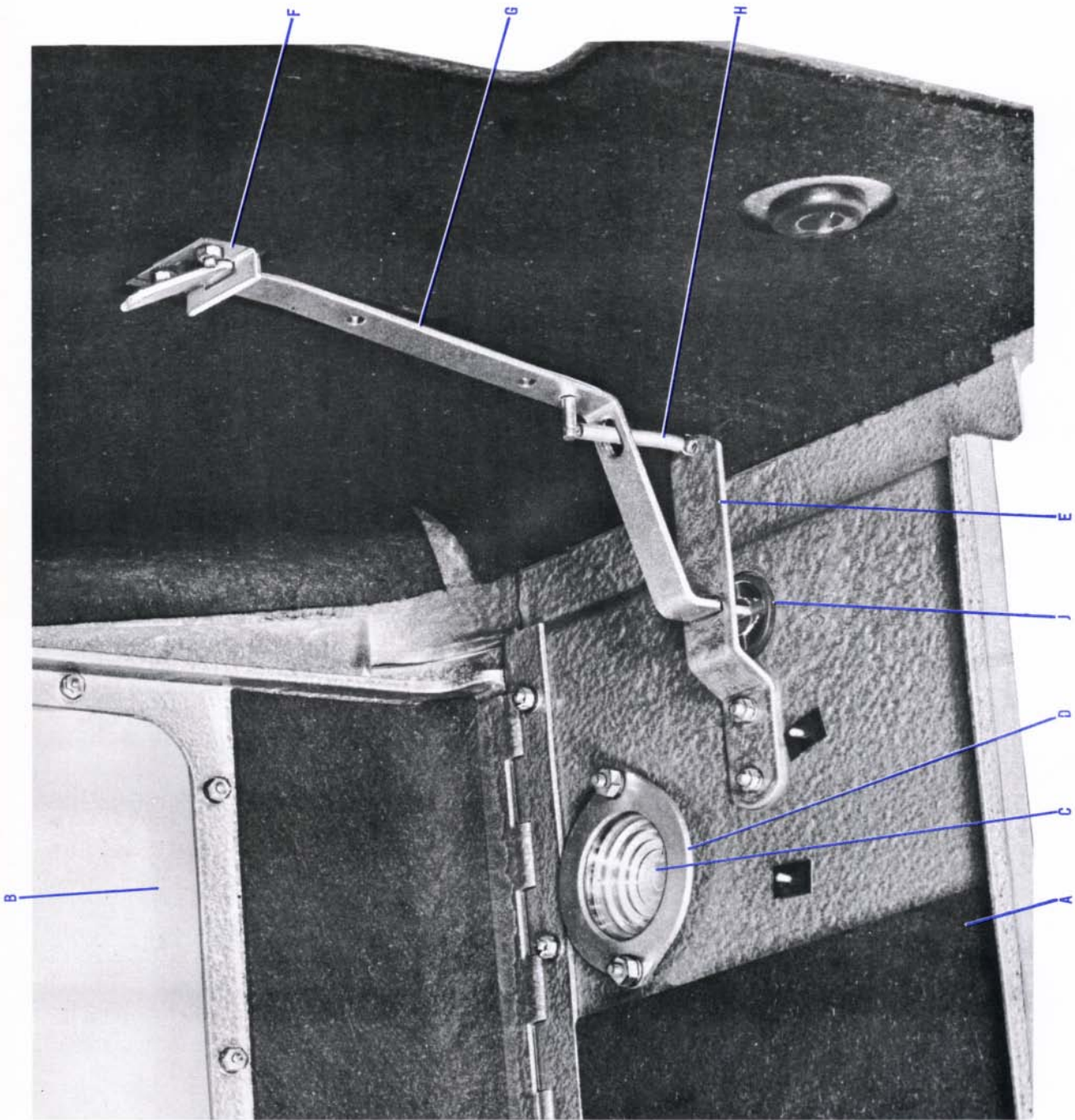


FIG. 7.46 COVER UNIT

COVER UNIT S4015 (for machines without Reperforating Attachment)
COVER UNIT S4098 (for machines with a Reperforating Attachment)
COVER UNIT 4151/249 (for machines fitted with a Tape Reader)
COVER UNIT 4151/210 (for machines fitted with a Tape Reader and Reperforating Attachment)

<i>Index Letter</i>	<i>Part No.</i>	<i>Part Name</i>
A	4015/21 or 4098/1 or 4151/247 or 4151/21	Cover Unit Sub CP (for machines without Reperforating Attachment) Cover Unit Sub CP (for machines with a Reperforating Attachment) Cover Unit Sub CP (for machines fitted with a Tape Reader) Cover Unit Sub CP (for machines fitted with a Tape Reader and Reperforating Attachment)
B	4023/112	Window
C	B0 3806/5	Signal Lamp Lens
D	4015/17	Reflector Clamp Plate
E	4015/43	Carriage Return Bar Front Guide
F	4015/39	Carriage Return Bar Rear Bracket
G	4015/33	Carriage Return Bar CP
H	PG7513	Tension Spring
J	KB1006	Keyputton (state inscription when ordering)

NUMERICAL INDEX

Parts indexed thus 11* AG are listed on these pages but not illustrated on the facing page.

Part No.	Part Name	Page	Index Letters	Part No.	Part Name	Page	Index Letters	Part No.	Part Name	Page	Index Letters
1835/28	Switch Clamping Plate	77	R	4000/16	Reset Lever Sub CP	9	AH	4001/61	Lift Link CP	55	BG
1835/29	Alarm Buffer Spring	77	L	4000/18	Answer Back Ratchet Feed Pawl	11*	AH	4001/66A	Ribbon Jumper Sub CP	55	BE
1835/31	Contact CP	77	N	4000/19	Answer Back Feed Pawl Stop	7	-	4001/68	Roller Arm CP	55	BP
1855/325	Special Stop Screw CP	67	AK	4000/20	Transfer Lever Bracket CP	75	BF	4001/70A	Bracket & Roller CP	55	-
1910/17A	Governor Spring Plate	69	CK	4000/24	Reset Lever Bearing	9	AJ	4001/74	Ribbon Unit Shaft	55	Q
1947/79	Adjusting Arm CP	59	D	4000/25A	Reset Lever Bearing Plate	11*	AJ	4001/76	Spool Drive Plate CP	55	BB
1947/239B	Feeding Block (RH & LH)	83	CJ	4000/26	Roller Pivot Keeper	9	AK	4001/79A	Spool Retainer CP	55	K
1947/263A	Feed Spindle CP	83	AW	4000/32	Keyboard Mask CP (3 Row)	11*	AK	4001/82	Retaining Clip	55	M
1947/268	Feed Ratchet	83	AX	4000/35	Selector Frames Front Bearing	7	AN	4001/87	Slide Plate (LH) CP	55	L
1947/274	Bottom Guide Plate (Advance Feed)	83	AY	4000/39	Selector Frames Rack	73	AN	4001/88A	Slide Plate (RH) CP	55	N
1947/275	Bottom Guide Plate (Centre Feed)	83	AT	4000/45	Keyboard Mask CP (4 Row Treble Space Pad)	7	AR	4001/94	Lower Bearing CP	55	BM
1947/317A	Tape Guide Frame CP	83	BF	4000/48	Keyboard Mask CP	7	E	4001/95	LH Side Plate CP	55	BD
1947/318	Tape Guide Frame Latch CP	83	BM	4000/50A	Guide Rail CP	7	C	4001/96	Special Nut	55	BD
1947/319A	Stripper Spring	83	BQ	4000/55	Lamp Guard	11*	S	4001/97	Tie Bar	55	AX
1947/321A	Latch Support	83	BL	4000/168	Transfer Lever Sub CP	75	AR	4001/98	Ribbon Roller Pivot	55	AW
1947/323A	Tape Guide	83	BK	4000/169	Transfer Lever Link	75	AR	4001/100	Bush	55	AW
2003/277	Shim	9	-	4000/175	Transfer Lever CP	75	AR	4001/101	Pillar	55	BC
2263/6	Inductor Coil	11	-	4000/259	Tension Spring CP	15	T	4001/102	Keep Plate	55	BC
2942/14	Resistor Board Sub. CP	79	D	4000/55	Lamp Guard	11*	E	4001/103	Ribbon Retainer	55	AT
S3742	Signals R. I. S. Box CP	57	AB	4000/168	Transfer Lever Sub CP	75	E	4001/104	Ribbon Guide Base Plate	55	AS
3742/3	Signals R. I. S. Cover CP	79	-	4000/175	Transfer Lever Link	75	EH	4001/107	Ribbon Guide	55	AQ
3742/6	Signals R. I. S. Screen CP	79	0	4000/259	Tension Spring CP	15	-	4001/108	Plate	55	AU
3742/9	Signals R. I. S. Base CP	79	B	4000/55	Lamp Guard	11*	-	4001/108	Keep Plate	55	BU
3742/10	Insulator	79	A	4000/168	Transfer Lever Sub CP	75	BG	4001/108	Keep Plate	55	AV
3742/12	Bracket CP	79	J	4000/175	Transfer Lever Link	75	BH	4001/108	Keep Plate	55	AV
3742/13	Insulator	79	H	4000/259	Tension Spring CP	15	-	4001/108	Keep Plate	55	AV
3751/3	Roller	85	G	4000/55	Lamp Guard	11*	F	4001/108	Keep Plate	55	AV
3886/142	Tape Roller	83	W	4000/168	Transfer Lever Sub CP	75	BG	4001/108	Keep Plate	55	AV
3905/10	Special Nut	83	DC	4000/175	Transfer Lever Link	75	BH	4001/108	Keep Plate	55	AV
4000/1	Cover Plate CP	7	C	4000/259	Tension Spring CP	15	-	4001/108	Keep Plate	55	AV
4000/4A	Starter Trip Lever CP	11	O	4000/55	Lamp Guard	11*	B	4001/108	Keep Plate	55	AV
4000/6	Trip Shaft CP	43	-	4000/168	Transfer Lever Sub CP	75	E	4001/108	Keep Plate	55	AV
4000/9	Spring Adjustment Link	43	AU	4000/175	Transfer Lever Link	75	AP	4001/108	Keep Plate	55	AV
4000/14	Answer Back Feed Pawl CP	9*	AT	4000/259	Tension Spring CP	15	Y	4001/108	Keep Plate	55	AV
4000/15A	Comb Bar Reset Lever CP	11	AC	4000/55	Lamp Guard	11*	-	4001/108	Keep Plate	55	AV
		7	J	4000/168	Transfer Lever Sub CP	75	AD	4001/108	Keep Plate	55	AV
		9	AG	4000/175	Transfer Lever Link	75	BN	4001/108	Keep Plate	55	AV
		11*	AG	4000/259	Tension Spring CP	15	RJ	4001/108	Keep Plate	55	AV
			AG	4000/55	Lamp Guard	11*	BK	4001/108	Keep Plate	55	AV
			AG	4000/168	Transfer Lever Sub CP	75	-	4001/108	Keep Plate	55	AV
			AG	4000/175	Transfer Lever Link	75	-	4001/108	Keep Plate	55	AV
			AG	4000/259	Tension Spring CP	15	-	4001/108	Keep Plate	55	AV
			AG	4000/55	Lamp Guard	11*	-	4001/108	Keep Plate	55	AV
			AG	4000/168	Transfer Lever Sub CP	75	-	4001/108	Keep Plate	55	AV
			AG	4000/175	Transfer Lever Link	75	-	4001/108	Keep Plate	55	AV
			AG	4000/259	Tension Spring CP	15	-	4001/108	Keep Plate	55	AV
			AG	4000/55	Lamp Guard	11*	-	4001/108	Keep Plate	55	AV
			AG	4000/168	Transfer Lever Sub CP	75	-	4001/108	Keep Plate	55	AV
			AG	4000/175	Transfer Lever Link	75	-	4001/108	Keep Plate	55	AV
			AG	4000/259	Tension Spring CP	15	-	4001/108	Keep Plate	55	AV
			AG	4000/55	Lamp Guard	11*	-	4001/108	Keep Plate	55	AV
			AG	4000/168	Transfer Lever Sub CP	75	-	4001/108	Keep Plate	55	AV
			AG	4000/175	Transfer Lever Link	75	-	4001/108	Keep Plate	55	AV
			AG	4000/259	Tension Spring CP	15	-	4001/108	Keep Plate	55	AV
			AG	4000/55	Lamp Guard	11*	-	4001/108	Keep Plate	55	AV
			AG	4000/168	Transfer Lever Sub CP	75	-	4001/108	Keep Plate	55	AV
			AG	4000/175	Transfer Lever Link	75	-	4001/108	Keep Plate	55	AV
			AG	4000/259	Tension Spring CP	15	-	4001/108	Keep Plate	55	AV
			AG	4000/55	Lamp Guard	11*	-	4001/108	Keep Plate	55	AV
			AG	4000/168	Transfer Lever Sub CP	75	-	4001/108	Keep Plate	55	AV
			AG	4000/175	Transfer Lever Link	75	-	4001/108	Keep Plate	55	AV
			AG	4000/259	Tension Spring CP	15	-	4001/108	Keep Plate	55	AV
			AG	4000/55	Lamp Guard	11*	-	4001/108	Keep Plate	55	AV
			AG	4000/168	Transfer Lever Sub CP	75	-	4001/108	Keep Plate	55	AV
			AG	4000/175	Transfer Lever Link	75	-	4001/108	Keep Plate	55	AV
			AG	4000/259	Tension Spring CP	15	-	4001/108	Keep Plate	55	AV
			AG	4000/55	Lamp Guard	11*	-	4001/108	Keep Plate	55	AV
			AG	4000/168	Transfer Lever Sub CP	75	-	4001/108	Keep Plate	55	AV
			AG	4000/175	Transfer Lever Link	75	-	4001/108	Keep Plate	55	AV
			AG	4000/259	Tension Spring CP	15	-	4001/108	Keep Plate	55	AV
			AG	4000/55	Lamp Guard	11*	-	4001/108	Keep Plate	55	AV
			AG	4000/168	Transfer Lever Sub CP	75	-	4001/108	Keep Plate	55	AV
			AG	4000/175	Transfer Lever Link	75	-	4001/108	Keep Plate	55	AV
			AG	4000/259	Tension Spring CP	15	-	4001/108	Keep Plate	55	AV
			AG	4000/55	Lamp Guard	11*	-	4001/108	Keep Plate	55	AV
			AG	4000/168	Transfer Lever Sub CP	75	-	4001/108	Keep Plate	55	AV
			AG	4000/175	Transfer Lever Link	75	-	4001/108	Keep Plate	55	AV
			AG	4000/259	Tension Spring CP	15	-	4001/108	Keep Plate	55	AV
			AG	4000/55	Lamp Guard	11*	-	4001/108	Keep Plate	55	AV
			AG	4000/168	Transfer Lever Sub CP	75	-	4001/108	Keep Plate	55	AV
			AG	4000/175	Transfer Lever Link	75	-	4001/108	Keep Plate	55	AV
			AG	4000/259	Tension Spring CP	15	-	4001/108	Keep Plate	55	AV
			AG	4000/55	Lamp Guard	11*	-	4001/108	Keep Plate	55	AV
			AG	4000/168	Transfer Lever Sub CP	75	-	4001/108	Keep Plate	55	AV
			AG	4000/175	Transfer Lever Link	75	-	4001/108	Keep Plate	55	AV
			AG	4000/259	Tension Spring CP	15	-	4001/108	Keep Plate	55	AV
			AG	4000/55	Lamp Guard	11*	-	4001/108	Keep Plate	55	AV
			AG	4000/168	Transfer Lever Sub CP	75	-	4001/108	Keep Plate	55	AV
			AG	4000/175	Transfer Lever Link	75	-	4001/108	Keep Plate	55	AV
			AG	4000/259	Tension Spring CP	15	-	4001/108	Keep Plate	55	AV
			AG	4000/55	Lamp Guard	11*	-	4001/108	Keep Plate	55	AV
			AG	4000/168	Transfer Lever Sub CP	75	-	4001/108	Keep Plate	55	AV
			AG	4000/175	Transfer Lever Link	75	-	4001/108	Keep Plate	55	AV
			AG	4000/259	Tension Spring CP	15	-	4001/108	Keep Plate	55	AV
			AG	4000/55	Lamp Guard	11*	-	4001/108	Keep Plate	55	AV
			AG	4000/168	Transfer Lever Sub CP	75	-	4001/108	Keep Plate	55	AV
			AG	4000/175	Transfer Lever Link	75	-	4001/108	Keep Plate	55	AV
			AG	4000/259	Tension Spring CP	15	-	4001/108	Keep Plate	55	AV
			AG	4000/55	Lamp Guard	11*	-	4001/108	Keep Plate	55	AV
			AG	4000/168	Transfer Lever Sub CP	75	-	4001/108	Keep Plate	55	AV
			AG	4000/175	Transfer Lever Link	75	-	4001/108	Keep Plate	55	AV
			AG	4000/259	Tension Spring CP	15	-	4001/108	Keep Plate	55	AV
			AG	4000/55	Lamp Guard	11*	-	4001/108	Keep Plate	55	AV
			AG	4000/168	Transfer Lever Sub CP	75	-	4001/108	Keep Plate	55	AV
			AG	4000/175	Transfer Lever Link	75	-	4001/108	Keep Plate	55	AV
			AG	4000/259	Tension Spring CP	15	-	4001/108	Keep Plate	55	AV
			AG	4000/55	Lamp Guard	11*	-	4001/108	Keep Plate	55	AV
			AG	4000/168	Transfer Lever Sub CP	75	-	4001/108	Keep Plate	55	AV
			AG	4000/175	Transfer Lever Link	75	-	4001/108	Keep Plate	55	AV
			AG	4000/259	Tension Spring CP	15	-	4001/108	Keep Plate	55	AV
			AG	4000/55	Lamp Guard	11*	-	4001/108	Keep Plate	55	AV
			AG	4000/168	Transfer Lever Sub CP	75	-	4001/108	Keep Plate	55	AV

Part No.	Part Name	Page	Index Letters	Part No.	Part Name	Page	Index Letters	Part No.	Part Name	Page	Index Letters
4002/43	Buffer Plate	51	BW	4003/48	Lower Lever CP	15	B	4004/93	Paper Retention and Throwout Lever CP	63	BX
4002/44	Line Length Operating Lever	51	BY	4003/49A	Lower Lever and Push Rod CP	15	-	4004/95	Paper Damper	63	BO
4002/46A	Bearing Plate CP	51	D	4003/50	Aggregate Lever Sub CP	15	E	4004/96	Paper Guide and Damper Assembly Unit	63	-
4002/48	Carriage Return Link Arm CP	51	U	4003/51A	Aggregate Lever CP	15	X	4004/108	Tie Bar	63	D
4002/50B	Carriage Return Manual Lever CP	51	T	4003/52A	Lift Lever CP	17	P	4004/109	Control Mechanism Back Plate CP	65	CN
4002/53	End Plate CP	51	E	4003/53A	Lift Bellcrank CP	17	V	4004/111	Backplate Extension CP	65	CO
4002/55	End Casting CP	51	A	4003/54A	Rotation Bellcrank CP	17	E	4004/113	Slat Operating Lever CP	65	CP
4002/59	Retention Back CP	51	K	4003/56	Long Front Link CP	21	D	4004/115	Slat Latch	65	CS
4002/62A	Feed Rack CP	51	M	4003/57	Long Link CP	15	DKAC	4004/116	Control Mechanism Sub Plate CP	65	CQ
4002/63	Typehead Splined Shaft	51	V	4003/58	Narrow Rack Guide CP	21	U	4004/118	Slat Latch Retainer	65	CT
4002/64	Carriage Return Splined Shaft	51	S	4003/59	Wide Rack Guide CP	17	T	4004/119	Ribbon Jumper Slat	65	DA
4002/65	Print Rail	51	R	4003/62	Lubricating Wick	15	M	4004/120	Bearing Plate CP	65	DB
4002/66A	Guide Rail	51	F	4003/63A	Aggregate Levers Assembly	11*	B	4005/4	Spring Anchor	53	R
4002/67	Carriage Link	9	J	4003/66	Top Clamp Plate	17	W	S4006	Selector Frames Unit	7	B
4002/68	Link End Piece	51	CQ	4003/67A	Stop Block	21	V	4006/10	Selector Frames Rear Bearing	73	-
4002/69	Rack Retainer	51	K	4004/4	Platen Sub CP	63	E	4006/11	Selector Frames Pivot Shaft	73	A
4002/70	Line Length Operating Stop	51	N	4004/11	Platen Feed Ratchet	63	Q	4006/13	Trip Frame CP	73	B
4002/71	Shim	51	Q	4004/17	Stop Bracket	63	CM	4006/14	Selector Frame No.1 CP	73	D
4002/72	Carriage Extension CP	51	Bj	4004/19	Platen Retention Wheel	63	M	4006/15	Selector Frame No.2 CP	73	F
4002/73	Carriage Extension	51	-	4004/25A	Tie Rod	63	C	4006/16	Selector Frame No.3 CP	73	G
4002/76A	Tape Retainer CP	51	CW	4004/26	Platen Spindle	63	P	4006/17	Selector Frame No.4	73	H
4002/77	Typehead Boss CP	51	CK	4004/32	Pressure Frame Support Bracket	63	AM	4006/18	Selector Frame No.5 CP	73	J
4002/78	Lifting Block Nut	51	AL	4004/36	Paper Tension Rod	63	AC	4006/19	Selector Bar	73	K
4002/133	Retention Block CP	51	BP	4004/37	Tension Rod End Cheek	63	CE	4006/20	Trip Bar CP	73	O
4002/134	Bracket	51	K	4004/38	Paper Tension Shaft Lever	63	CF	4007/4A	Field Core Grinding CP	29	C
4002/136	End Plate CP	51	DB	4004/44	Platen Knob Coupling	63	W	4007/12	Armature CP	29	G
4002/138	End Casting CP	51	E	4004/46	Print Spring Change Lever	63	CL	4007/13B	Base Plate	29	A
4003/5A	Anchor Plate	15	A	4004/48	Feed Lever Stop Plate	63	BK	4007/14	Armature Stop Bracket	29	R
4003/10	Typehead Rotation Rack	17	F	4004/50	Platen Knob Retaining Screw	63	Y	4007/16A	Magnet	29	E
4003/11	Typehead Lift Rack	21	Y	4004/55	Pressure Roller Release Lever CP	63	AS	4007/18	Bearing Housing	29	H
4003/13	Rack Support Block	21	X	4004/58	Retention Roller Bracket CP	63	BZ	4007/21A	Cover CP	29	U
4003/16	Upper Guide Strip	21	X	4004/59	Platen Spindle CP	63	AU	4007/24A	Coil Retaining Plate	29	L
4003/17	Lower Guide Strip	21	X	4004/60	Platen Final CP	63	-	4007/25	Retaining Spring	29	J
4003/25	Main Lever Pivot	15	R	4004/65A	Feed Change Lever CP	63	BD	4007/33	Anchor Bar	29	S
4003/26	Lift Lever Pivot	15	R	4004/69	Paper Tube CP	63	CC	4007/35	Armature Stop Bracket CP	29	-
4003/27	Bellcrank Pivot	17	H	4004/71	Feed Lever and Pawl CP	63	CC	4007/37	Centre Support CP	29	B
4003/28	Anchor Plate	17	H	4004/77	Platen Knob CP	63	Bj	4007/42	Field Unit CP	29	-
4003/30A	Trunnion Block	17	W	4004/79	Single Line Feed Stop	63	X	S4008A	Keyboard Unit	7	D
4003/33A	Push Rod CP No.3	21	-	4004/81A	Paper Guide Sub CP	63	BE	4008/1B	Keyboard Sub-Assembly	67	-
4003/39A	Lift Link CP	15	-	4004/82	Tension Bar	63	EN	4008/4D	Keyboard Main Frame	71	CU
4003/46A	Main Lever Assembly	15	C	4004/91	Platen Retention Panel	63	AX	4008/8B	Keyboard Side Plate	67	C
			AA					4008/12B	Keyboard Side Plate	67	B
			L					4008/13A	Keyboard Front Plate	67	E
								4008/17A	Rear Keyboard Rack	67	A
								4008/20A	Stop Strip CP	67	P
								4008/26	Trip Slat CP	67	F
								4008/27	Ball Cage Front Plate	67	AH
											K

Part No.	Part Name	Page	Index Letters	Part No.	Part Name	Page	Index Letters	Part No.	Part Name	Page	Index Letters
4008/29	Ball Cage Back Plate	67	L	4008/141	Treble Space Bar CP	69	-	4008/267	Push Rod CP	71	-
4008/31	Ball Stop	67	N	4008/145	Long Single Space Bar	69	-	4008/268	Locking Bar Support	71	AB
4008/53A	Locking Bar CP	71	FE	4008/146	Space and Shift Pad (Plain)	69	CN				EL
4008/55	Trip Bar	71	FD	4008/147	Long Space Pad	69	CT				BA
4008/57	Combination Bar CP	71	FC	4008/151	Space and Shift Pad, Moulded Character	69	CN				EO
4008/58	Set of Combination Bars CP	71	-	4008/161B	Space Frame Support Bar	67	AD				BB
4008/61A	Comb Bar Support	71	CW	4008/162	Shiftlock Bar Centre Bearing	71	EF				EN
4008/64A	Push Rod Stand CP	93	E	4008/169	Space Pad Frame CP	69	CD				BJ
4008/65A	Transfer Bellcrank Carrier	71	EC	4008/170	Long Space Pad Frame CP	69	CR				CR
4008/66	Bellcrank Rack	71	DW	4008/171A	Keybar and Button CP	67	R				-
4008/67	Code Transfer Bellcrank	71	DX	4008/172A	Keybar and Button CP	67	S				-
4008/67	Code Transfer Bellcrank	71	DY	4008/173A	Keybar and Button CP	67	T				BN
4008/68	Bellcrank Separator	71	DZ	4008/174A	Shift Keybar and Button CP	67	V				BO
4008/70	Transfer Bellcrank CP	71	-	4008/175A	Keybar and Button CP	67	U				BH
4008/78A	'Here Is' Treadle CP	67	D	4008/176A	Shift Keybar and Button CP	67	V				AK
4008/80A	WRU Treadle CP	67	BQ	4008/177A	Shift Keybar and Button CP	67	V				AG
4008/81	Outer Treadle Bearing	67	BT	4008/178A	'Who Are You' Keybar and Button CP	67	W				BN
4008/82A	Locking Bar Support	67	BW	4008/179A	'Who Are You' Keybar and Button CP	67	W				DS
4008/83	Clamp Plate	71	EM	4008/180A	'Here Is' Keybar and Button CP	67	X				J
4008/84	Clamp Plate	71	FC	4008/181A	'Here Is' Keybar and Button CP	67	X				-
4008/84	Clamp Plate	93	AC	4008/182A	'Here Is' Keybar and Button CP	67	X				AM
4008/87A	Comb Bar Retainer	71	CY	4008/183A	'Run Out' Keybar and Button CP	67	Y				G
4008/88	Clamp Plate	71	H	4008/184A	'Run Out' Keybar and Button CP	67	Y				DJ
4008/90A	Keybar Dart No. 1	67	FN	4008/185A	'Run Out' Keybar and Button CP	67	Y				DB
4008/91A	Keybar Dart No. 2	67	X	4008/186A	'Run Out' Keybar and Button CP	67	Y				DC
4008/92A	Keybar Dart No. 3	67	ED	4008/187A	'Who Are You' Keybar and Button CP	67	V				DY
4008/94	Keybar Pivot	67	J	4008/188A	'Who Are You' Keybar and Button CP	67	W				BM
4008/97B	Trip Lever CP	71	AA	4008/192	Clamp Plate	67	Q				-
4008/99	Trip Lever Pawl	71	AB	4008/194	Dowel Clip CP	71	EJ				AM
4008/101	Latch Control Lever	71	AC	4008/195	Clamp Plate	71	EK				DV
4008/103A	Comb Bar Lever Latch	71	AD	4008/196A	Shiftlock Bearing CP	71	EE				DE
4008/104	Comb Bar Lever	71	DH	4008/203	Shiftlock Bearing Plate (RH)	71	EG				DK
4008/105	Comb Bar Lever Pin	71	DE	4008/204	Trip Slat Stop Bracket	67	H				DM
4008/106B	Trip Mechanism CP	71	DF	4008/207	Shim	93	G				-
4008/107	Space Pad CP	67	B	4008/210	Space Pad Frame CP	67	AG				-
4008/110	Run Out Bar CP	67	AS	4008/212	3rd Row Space Bar	67	-				AL
4008/113	Shift Lock Bar CP	71	FB	4008/213	Shift Frame Support	67	AE				A
4008/114A	Shift Lock Upper Bearing (LH)	71	FA	4008/215	Shift Pad Stop CP	67	AJ				-
4008/116	Bias Spring Block	71	FQ	4008/216	Space Key Lever	67	AM				-
4008/120B	Space Keybar CP	69	PO	4008/217	Shift Frame Stop	67	AH				-
4008/122	Ball Cage Channel	67	CL	4008/218	Space Frame Spindle	67	AP				-
4008/123	Ball Cage Sub CP	67	J	4008/219A	Space Keybar CP	67	AT				P
4008/124	Ball Cage CP	67	-	4008/221	Comb Bar Support	67	CV				AC
4008/130	Figure Shift Frame CP	69	CC	4008/225A	Space Dummy Key Bar CP	69	F				CU
4008/131	Letter Shift Frame CP	69	CE	4008/235	Latch Control Stop	71	DO				AW
4008/134	Adjustment Block	67	AL	4008/237	Bracket CP	71	DA				DM
4008/135	Space Key Lever	69	CB	4008/239	Nut Plate CP	71	DC				-
4008/136B	Space Frame Support Bar	69	CA	4008/240	Trip Mechanism Bracket	71	DB				AF
4008/137	Shift Frame Support	69	BX	4008/241	Trip Mechanism Base Plate	71	CZ				AS
4008/138A	Shift Frame Stop	69	BY	4008/242	Spacer	71	DD				EA
4008/139	Shift Pad Stop	69	CH	4008/244	Push Rod	71	FT				CV
4008/140B	Space Frame Spindle	69	CJ	4008/245	Push Rod Retainer	71	FR				AD
			BZ	4008/246	Push Rod Top Rack	71	FS				AE
											CR

Part No.	Part Name	Page	Index Letters	Part No.	Part Name	Page	Index Letters	Part No.	Part Name	Page	Index Letters
4009/139	Retention Locking Lever CP	45	CP	4010/53	Keyboard Reset Cam 'W'	31	BJ	4010/173	Figures and Letters Retainer CP	35	P
4009/141B	Retention Lever CP	45	CW	4010/57	Print and Feed Control Cam 'S'	31	CA	4010/175A	Print Release Pivot Arm CP	35	BJ
4009/142	Starter Support Plate CP	47	CZ	4010/58	Answer Back Cam 'U'	31	BR	4010/177B	Printer Feed Arm CP	35	BF
4009/143	Starter Arm CP	43	AO	4010/59A	Print Cam 'E'	33	CY	4010/179	Printer Hook CP	35	BD
4009/144A	Starter Lever Guide Bracket CP	47	DH	4010/60A	Type Rotation Cam No. 5 'Q'	31	CE	4010/182	Dog	35	BC
4009/152	Guide Plate CP	43	AY	4010/61A	Type Rotation Cam 'K'	31	CG	4010/183	Print Control Shaft	35	BB
4009/161B	Camshaft Gear CP	45	CN	4010/62A	Type Lift and Shift Cam No. 2 'W'	31	CK	4010/184	Selector Plate Rack Support	35	BL
4009/162	Rockshaft Stop Arm	43	Q	4010/63A	Selector Plate Lift Cam 'J'	31	CC	4010/185	Selector Plate Rack Support	35	H
4009/163	Stop Pin	43	R	4010/64A	L/F Cam 'D'	33	DA	4010/186	Rack	35	O
4009/164	Rockshaft Stop Arm CP	43	R	4010/66	Lag Weight Cam 'A'	33	DH	4010/187	Main Plate Stay	35	G
4009/165A	Link	43	BB	4010/67A	Cam Spacer	33	CX	4010/191	Support Pin	35	C
4009/180A	Clamp	43	CO	4010/68A	Cam Spacer	31	BZ	4010/192A	Stop Bracket	35	CK
4009/181	Bearin; Collar	45	L	4010/69A	Transmitter Cam (Start) 'T'	33	CQ	4010/193	Stop Bracket and Cover Support	35	B
4009/189	Starter Pivot Bracket	47	DD	4010/70A	Transmitter Cam No. 1 'L'	31	CL	4010/203A	Sub Plate CP	37	E
4009/199A	Driven Gear	49	-	4010/71A	Transmitter Cam No. 2 'W'	31	CJ	4010/205	Vertical Lever Rack Support CP	37	AA
4009/204A	Starter Support Bracket CP	43	AH	4010/72A	Transmitter Cam No. 'O'	31	CH	4010/208	Vertical Lever Rack CP	37	Z
4009/206	Bearing Bracket CP	43	AR	4010/73A	Transmitter Cam No. 4 'P'	31	CF	4010/211	Function Reset Bracket CP	37	F
4009/211	Worm Bearing Bracket CP	47	DG	4010/74A	Transmitter Cam No. 5 'R'	31	CD	4010/216	Function Reset Shaft CP	37	-
4009/213A	Driving Gear CP	45	CN	4010/75A	Transmitter Cam (Stop) 'F'	33	CW	4010/219B	Function Reset Lever CP	37	X
4009/215A	Drive Shaft	49	J	4010/77	Front Camshaft Bearing Block	31	AJ	4010/221	Function Reset Adjustment Arm CP	37	O
4009/216A	Driven Gear	49	-	4010/81A	Rear Bearing Block CP	33	DP	4010/225	Lower Carriage Return and Line Feed Rack Sub CP	37	AR
4009/218A	Driven Gear	49	-	4010/85A	Pin Box Traverse Lever CP	35	EP	4010/227	Carriage Return Operating Arm CP	37	AU
4009/222	Driven Gear	49	-	4010/87	Answer Back Feed Lever CP	33	K	4010/229	Carriage Return Adjustment Arm CP	37	AT
4009/224	Driven Gear	49	-	4010/88A	Line Feed Bridge Lever CP	31	X	4010/235B	Carriage Return Latch CP	37	AL
4009/226	Driven Gear	49	-	4010/91	Traverse Rear Bearing CP	31	N	4010/237	Carriage Return Lever Sub CP	37	AK
4009/248	Driven Gear	49	-	4010/93	Striker Shaft Sub CP	31	AR	4010/238A	Carriage Return Vertical Lever CP	37	-
4009/249	Drive Shaft CP	43	-	4010/95B	Traverse Cam CP	31	A	4010/240	Line Feed Link CP	37	AJ
4009/251	Driven gear	49	-	4010/99	Translator Base Plate Sub CP	31	-	4010/243	Line Feed Lever CP	37	CK
4009/274	Crawler Clutch CP	43	BA	4010/105	Pecker Frame CP	31	-	4010/245B	Line Feed Latch CP	37	AD
4009/356	Driven gear	49	-	4010/106A	Pin Box Traverse Bracket CP	35	P	4010/248	Line Feed Vertical Sub CP	37	AC
4009/358	Driven gear	49	-	4010/107C	Pecker	31	O	4010/251	Letter Feed Bellcrank CP	37	CP
4009/363	Clutch Body	45	BQ	4010/109	Lubrication Plug Retainer	31	AG	4010/255	Letter Feed Latch CP	37	CD
4009/365	Driven gear	49	-	4010/117A	Front Main Frame Sub CP	35	A	4010/259	Letter Feed Vertical Lever Sub CP	37	BD
4009/369	Driven gear	49	-	4010/119A	Middle Main Frame CP	35	F	4010/260	Letter Feed Vertical Lever	37	BB
4010/1	Cam Spacer	31	CB	4010/124A	Selector Plate Lift Frame CP	35	BQ	4010/262B	Inner Abutment Frame CP	39	CX
4010/2A	Cam Spacer	31	CM	4010/137	Selector Lever Rack CP	35	CJ	4010/264A	Outer Abutment Frame CP	39	CV
4010/3A	Retaining Bush	31	BF	4010/139	Print Release Lever CP	35	BO	4010/266	Abutment Frame Trip Lever CP	39	CS
4010/6	Traverse Cam Thrust Washer	31	AQ	4010/143A	Aggregate Bellcrank Sub CP	35	BT	4010/270	Trip Lever CP	39	CQ
4010/10B	Retaining Plate (Front)	33	DQ	4010/144A	Aggregate Bellcrank CP	35	-	4010/272	Trip Lever Bracket CP	39	CM
4010/11	Spring Anchor Plate	31	G	4010/147A	Aggregate Bellcrank Sub CP	35	-	4010/279B	Shift Bellcrank Sub CP	37	BL
4010/12A	Strike Bearing	31	M	4010/148A	Aggregate Bellcrank CP	35	-	4010/280B	Shift Bellcrank CP	37	-
4010/22	Traverse Front Bearing	31	W	4010/150	Transmitter Lever Adjustment CP	35	CC	4010/283A	Print Lever CP	37	BT
4010/24B	Selector Traverse Camshaft	31	AK	4010/151	Transmitter Cam Follower	35	EH	4010/284	Transmitter Lever Adjustment	39	ED
4010/25A	Line Feed Cam 'B'	33	DE	4010/152	Transmitter Lever	35	CA	4010/286	Stop Cam Follower CP	39	EG
4010/27	Traverse Lever Pivot Bracket	31	AD	4010/153	Transmitter Lever CP	35	EF	4010/287	Transmitter Lever CP (Stop)	39	-
4010/28B	Cam Spacer	35	BK	4010/154	Transmitter Lever CP	35	-	4010/288	Transmitter Lever CP	39	EB
4010/29	Cam Spacer	33	DK	4010/159	Shoe Arm Carrier CP	35	BM	4010/289	Transmitter Lever CP (Start)	39	-
4010/30A	Cam Spacer	33	CR	4010/161	Rear Pin Box Guide Plate CP	35	S	4010/292	Push Rod	37	W
4010/32A	Cam Spacer	33	DD	4010/163	Shift and Function Reset Rack CP	35	T	4010/296	Lag Weight 2nd CP	39	DH
4010/33A	Cam Spacer	33	DB	4010/165	Figures and Letters Change Lever CP	35	K	4010/297	Abutment	39	DM
4010/34A	Cam Spacer	33	CZ	4010/169	Figures and Letters Sub Lever CP	35	L	4010/298	Lagweight 3rd CP Group 1	39	-
4010/37	Cam Spacer	31	BS	4010/171	Figures and Letters Adjustment Plate CP	35	J	4010/300	Lagweight Release Lever CP	39	DY
4010/38C	Pin Resetting Frame	31	BE	4010/48A	Function Reset Cam 'G'	33	CV	4010/302	Lagweight Spring Change Lever CP	39	DS

Part No.	Part Name	Page	Index Letters	Part No.	Part Name	Page	Index Letters	Part No.	Part Name	Page	Index Letters
4010/304	Lagweight Trip Lever CP	39	DW	4010/403	Throwout Lever CP	35	CO	4011/18A	Function Bar (Position 2)	41	J
4010/306	Contact Operating Lever CP	39	DZ	4010/404	Pivot Bracket	35	AM	4011/19A	Function Bar (Position 1)	41	G
4010/309	Answer Back Trip Link CP	35	CT	4010/405	Chopper Cam	33	EK	4011/20	Function Bar Retaining Plate	41	T
4010/311	Traverse Bellcrank	35	AW	4010/406	Retaining Disk	33	EH	4011/22	Bell and WRU Lever Pivot Bracket	41	Y
4010/313	Traverse Pivot Bracket CP	35	AV	4010/408	Cam Spacer	33	ED		CP		
4010/315	Traverse Multiplying Lever CP	35	AN	4010/409A	Chopper CP	33	-	4011/24	Answer/Back Trip Shaft Bracket CP	35	CW
4010/317B	Pin Box End Block CP	35	AC	4010/411	Lubricator CP	35	D	41	Trip Arm CP	35	AF
4010/318	Pin Rack (Large Slots)	35	V	4010/413	Bracket CP	35	B	4011/26	Answer Back Trip Lever CP	35	CQ
4010/319A	Pin Rack (Small Slots)	35	W	4010/414A	Pin Box Traverse Lever Sub CP	35	AE	4011/28	WRU? Switch Arm CP	41	CS
4010/320A	Selection Pin (Bottom Strike)	35	X	4010/416	Oil Pot CP	35	AF	4011/30	Bell Switch Arm CP	41	AB
4010/321A	Selection Pin (Top Strike)	35	Y	4010/417	Adjustment Plate CP	39	CW	4011/32	Bell Switch Arm CP	41	Z
4010/322	Pin Box CP	35	-	4010/424	Shim	37	AB	4011/35	Bell Adjustment Plate CP	41	AA
4010/323	Answer Back Link Rack	35	CV	4010/435	Set of Selector Code Plates	35	BS	4011/47A	Function Bar (Position 4)	41	M
4010/324	Guide Bracket	37	D	4010/436A	Stop Bracket	35	CK	4011/50	Function Bar (Position 5)	41	O
4010/325	Pivot Bracket	35	AM	4010/444A	Middle Main Frame CP	35	-	4011/62	Function Bar (Position 8)	41	S
4010/326	Retaining Plate	37	BA	4010/445	Figures and Letters Latch CP	35	-	4011/75	Function Bar (Position 6)	41	Q
4010/327	Letter Feed Lever Abutment	37	EK	4010/446A	Front Main Frame CP Group 1 and 2	35	-	4011/77	Function Bar (Position 7)	41	R
4010/328	Carriage Return Driving Block	37	AQ	4010/447	Print Release Lever and Shoe	35	-	4011/85	Spring Anchor Bracket	41	E
4010/329	Letter Feed Link	37	CG		Carrier CP		-	4011/87	WRU? Switch Operating Arm	41	V
4010/330	Steady Bracket	37	L	4010/448	Group 1 and 2 Selector	35	-		Governor Unit	57	AP
4010/331	Pin Retainer	37	BX	4010/449B	Transmitter Lever Assembly CP	35	-	S4012	Governor Cover	59	-
4010/333B	Slide Plate Front	35	AO	4010/449B	Group 1 Rear Frame CP	39	-	4012/2	Contact Arm Support Plate	59	R
4010/334	Pivot Block	37	AX	4010/450	Letter Feed Bellcrank CP	37	-	4012/3	Contact Arm Clamp	59	H
4010/335	Bellcrank Rack	35	CM	4010/451	Vertical Lever Rack CP	37	-	4012/4	Contact Arm Spring	59	N
4010/336	Pecker Slide Block	35	AZ	4010/452	Lower Carriage Return and Line Feed Rack CP	37	-	4012/5	Contact Arm Weight	59	J
4010/337	Slide Block	39	DB	4010/453	Print Shackle and Rod CP	37	-	4012/6	Contact Arm	59	M
4010/338	Print Shackle	37	BU	4010/454A	Abutment Frame CP	39	-	4012/7	Contact Arm	59	L
4010/339	Print Adjustment Rod	37	BY	4010/455	Print Lever CP	37	-	4012/9	Governor Stop Plate	59	O
4010/340	Distance Pillar (Long)	37	CC	4010/458	Set of Roller Race Parts	31	CO	4012/11	Contact Peg Support Plate CP	59	P
4010/341	Distance Pillar (Short)	37	G	4010/462	Retention Frame CP	31	AT	4012/12	Governor Body CP	59	A
4010/343	Lagweight Release Shaft	39	DV	4010/465	Retention Frame Guide	31	L	4012/14	Stop Bracket	59	B
4010/344	Slide Plate (Rear)	35	U	4010/466A	Rocker Arm CP	31	AU	4012/15	Governor Spring CP	59	G
4010/345	Abutment Block	37	S	4010/470	Control Mechanism Trip Lever CP	39	EM	4012/16	Governor Spring Clamp Plate	59	C
4010/346	Slide Block	35	AJ	4010/472	Lagweight Release Shaft	39	EN	4013/37	Insulating Cup	53	M
4010/347	Function Lever Pivot	37	CL	4010/498	Function Abutment Plate CP	37	R	4013/38	Modified Socket (3-way)	53	N
4010/348	Front Pin Box Guide Plate	35	AU	4010/499	Carriage Return Cam 'C'	33	DC	4014/5	Starter Switch Bracket	19	BF
4010/349	Sub Plate Rack	37	J	4010/503	Carriage Return Lever CP	37	CH	4014/6	Starter Switch and Cableform	23	BF
4010/350	Selector Bars Traverse Plate	35	AQ	4010/509	Abutment Frame Pivot Plate CP	37	C	4014/9	Resistor CP	19	BG
4010/354	Sub Weight	39	DJ	4010/510A	Rear Frame CP	37	A	4014/10	Resistor Clip	23	BG
4010/360	Lag Weight Hook Plate	39	DL	4010/521	Detachable Traverse Shaft CP	31	-	4014/11	Resistor Base Plate	17	-
4010/361	Lever Latch	39	ET	4010/524	Traverse Shaft Sub CP	31	Y	4014/12	Governing Resistor Unit CP	21	-
4010/362A	Automatic Carriage Return Line Feed Lever CP	39	-	4010/525	Traverse Link Lever CP	31	AC	4014/30	Pivot Bracket CP	17	AD
4010/364A	Lever Sub CP	39	ER	4010/526	Drawbolt	31	AB	4014/31	Support Bracket	17*	AD
4010/365	Pawl	39	EP	4010/551A	Camschaft CP	33	DN	4014/32A	Typehead Unit Bearing Block Casting	17	AC
4010/366	Traverse Control Bracket	35	AS	4010/552	Retaining Plates (Rear)	33	DR	4014/35	Beam Activating Lever CP	17	AC
4010/367A	Pin Damping Spring (Outer)	35	Z	4010/601	Line Feed Bracket CP	31	-	4014/38	Print Rail Coupling CP	23	AC
4010/368	Pin Box Damping Spring (Inner)	35	AA	4010/635	Retaining Plate	31	S				
4010/369	Staple	35	AB	4010/639	Lagweight	39	DN				
4010/371	Middle Bearing Block	33	DO	4011/1	Function Bar Rack	41	A				
4010/386	Balance Weight	39	DO	4011/2	Function Bar (Front) Rack CP	41	C				
4010/389	Sub Weight CP	39	-	4011/3	Function Reset Slide Plate	41	D				
4010/390	Lag Weight Stop	39	DR	4011/6	Spring Anchor Support	41	F				
4010/395	Slide Block CP	33	EF	4011/7	Screwed Stay Rod	41	B				
4010/397A	Cam Follower CP	33	EM	4011/10A	Function Reset Bar CP	41	W				
4010/399A	Chopper Lever CP	33	EN	4011/11	Contact Reset Arm	41	AD				
4010/401A	Support Bracket CP	33	EO	4011/17A	Function Bar (Position 3)	41	K				

Part No.	Part Name	Page	Index Letters	Part No.	Part Name	Page	Index Letters	Part No.	Part Name	Page	Index Letters
4014/40	Print Beam CP	{ 19	AV	4014/150	Spring Anchor Plate	{ 7	-	4016/114	Bell and WRU Cable CP	{ 17	AM
4014/41	Corrector Track Rail	{ 23	AY	4014/152A	Dummy Plinth CP	{ 21	A	4016/115	Bell Cable CP	{ 17	AM
4014/45A	Letter Feed Arm Sub CP	{ 9*	AA	4014/153	Microswitch and Connector CP	{ 85	-	4016/116	WRU Cable CP	{ 17	AM
4014/48	Letter Feed Pivot Bracket	{ 9*	X	4014/163	Connexion Block Bracket	{ 19	CS	4016/117	Send/Receive Contact Assembly	{ 21	AM
4014/49A	Letter Feed Arm Bracket CP	{ 11	W	4014/172B	Dashpot Cylinder Casting	{ 23	CS				
4014/51	Print Spring Bellcrank CP	{ 9	-	4014/174	Back Plate	{ 25	DA	S4017A	Answer Back Unit	{ 7	G
4014/52	Print Spring Link	{ 9*	Z	4014/180	Piston Rod and Valve	{ 25	DB	4017/17A	Lag Disk Release Pawl CP	{ 75	-
4014/53	Special Nut	{ 11	AA	4014/181B	Cylinder CP	{ 19	-	4017/31	Release Pawl Latch	{ 75	AM
4014/54	Print Spring Link CP	{ 9	AB	4014/184	Capacitor CP	{ 23	-	4017/32	Release Lever Catch CP	{ 75	AN
4014/58A	Piston Rod	{ 11	AB	4014/190	Dashpot Piston Washer	{ 25	DE	4017/33	Latch Adjustment Lever CP	{ 75	AT
4014/67D	Dashpot CP	{ 25	DC	4014/199	Support Block	{ 19*	CF	4017/34	Latch Trip Lever CP	{ 75	Z
4014/68	Support Pillar	{ 23	AV	4014/203	Shim	{ 17	S	4017/35	Push Rod Suppressor Spindle	{ 75	AQ
4014/70B	Dashpot Valve	{ 25	DG	4014/209	Drawer Guide CP	{ 21	S	4017/38	Release Lever Spindle	{ 75	AY
4014/79	Dummy Plinth	{ 85	A	4014/212	Connecting Link Guide	{ 85	P	4017/41	Roller Retaining Ring	{ 75	H
4014/80	Flanged Pin	{ 85	G	4014/213	Mounting Bracket	{ 25	CY	4017/42	Suppressor Link Retainer	{ 75	D
4014/81	Draw Runner	{ 85	J	4014/214	Roller Bracket (LH)	{ 25	CX	4017/43	Push Rod Suppressor CP	{ 75	AF
4014/83	Draw Runner	{ 85	K	4014/215	Roller Bracket (RH)	{ 25	DH	4017/45	Stop Plate Spacer	{ 75	S
4014/87	Tape Drawer 2nd CP	{ 85	U	4014/216	Dashpot Connecting Link	{ 25	DH	4017/46	Ward Drum Key	{ 75	R
4014/88	Tape Drawer 1st CP	{ 85	U	4014/399	Resistor CP	{ 19	CZ	4017/47	Answer Back Selector Lever	{ 75	AH
4014/89	Tape Drawer Front	{ 85	AF	4014/402	Cuttings Box Bracket CP	{ 23	-	4017/48	Ratchet Retention Pawl CP	{ 75	AK
4014/90A	Drawer Front Pillar	{ 85	AG	4014/405	Cuttings Box Knob	{ 85	Q	4017/49	Trip Bellcrank Extension CP	{ 75	BC
4014/91	Packing Piece	{ 85	AE	4014/431	Cuttings Box Sub CP	{ 85	O	4017/50	Trip Bellcrank Sleeve	{ 75	BE
4014/92	Clip	{ 85	AC	4014/433	Cuttings Box CP	{ 85	M	4017/51	Adjustment Arm CP	{ 75	AW
4014/99	Tape Retainer	{ 85	E	S4015	Cover Unit	{ 7	-	4017/52	Selector Lever Spindle	{ 75	X
4014/106	Knob Retaining Plate	{ 85	N	4015/17	Reflector Clamp Plate	{ 95	D	4017/56	Bearing Plate Fixing Block	{ 75	B
4014/110	Tape Roller	{ 85	F	4015/21	Cover Unit Sub CP	{ 95	A	4017/59	Ward Drum Spindle Support	{ 75	C
4014/111	Pillar	{ 85	R	4015/29	Dummy Front	{ 7	G	4017/60	Suppressor Link	{ 75	AE
4014/112	Threaded Pin	{ 85	T	4015/33	Carriage Return Bar CP	{ 95	G	4017/61	Ward Drum Sleeve	{ 75	K
4014/113	Cover Bracket	{ 85	H	4015/39	Carriage Return Bar Rear Bracket	{ 95	F	4017/63	Lay Disk Sub CP	{ 75	F
4014/115	Tape Retainer	{ 55	AZ	4015/43	Carriage Return Bar Front Guide	{ 95	E	4017/64	Ward Drum Stop Plate	{ 75	T
4014/116	Stop Frame CP	{ 83	DF	S4016C	Transmitter Unit	{ 7	M	4017/65	Answer Back Drum Feed Ratchet	{ 75	Q
4014/118	Tape Follower Lever CP	{ 85	B	4016/33	Contact Assembly 'A' CP	{ 77	B	4017/66	Starting Lever Cam	{ 75	P
4014/120	Switch Operating Lever	{ 85	Z	4016/34	Contact Assembly 'B' CP	{ 77	C	4017/67	Latch Trip Cam	{ 75	O
4014/122	Bearing Bracket	{ 85	V	4016/35	Contact Assembly 'C' CP	{ 77	D	4017/68	Cam Clamping Ring	{ 75	N
4014/123	Switch Bracket	{ 85	V	4016/36	Start and Stop Contact CP	{ 77	E	4017/69	Ward Drum CP	{ 75	L
4014/134	Bracket	{ 19	AA	4016/38A	Lower Contact Spring CP	{ 77	P	4017/71	Trip Operating Bellcrank CP	{ 75	Y
4014/137	Starter Switchguard CP	{ 23	X	4016/40	Contact CP	{ 77	N	4017/72	Here Is' Trip Bellcrank	{ 75	BD
4014/138A	Drawer Front Pillar	{ 85	AL	4016/42	Upper Contact Spring CP	{ 77	O	4017/75	Release Lever Trip Arm CP	{ 75	BA
4014/139	Tape Drawer Front	{ 85	BM	4016/43	Abutment and Control Plate	{ 77	J	4017/76	Answer Back Release Lever CP	{ 75	AV
4014/141	Tape Drawer Front	{ 85	BM	4016/71A	Lower Contact Spring CP	{ 77	P	4017/77	Trip Arm Guide	{ 75	AZ
4014/145A	Tape Wheel	{ 85	BM	4016/75	Cover Bracket CP	{ 77	H	4017/79	Answer Back Frame CP	{ 75	A
4014/146	Special Pivot	{ 83	AN	4016/96	Upper Contact Spring CP	{ 77	O	4017/80	Trip Adjustment Lever	{ 75	AP
				4016/105	Upper Contact Spring CP	{ 77	P	4017/89	Answer Back Drum Assembly	{ 75	-
				4016/110	Lower Contact Spring CP	{ 77	P	4017/95	Latch and Trip Lever CP	{ 75	-
				4016/111	Upper Contact Spring CP	{ 77	O	4017/96	Adjustment and Release Lever CP	{ 75	-
				4016/112	Lower Contact Spring CP	{ 77	P	4017/135	Shim	{ 7	H
				4016/113	Contact CP	{ 77	-	4018/3	Mounting Bracket CP	{ 59	A
								4018/5	Contact Blade CP	{ 59	C
								4018/7	Contact Blade CP	{ 59	B
								4018/9	Retaining Plate	{ 59	G
								4018/10	Cover	{ 59	H
								4018/14	Mounting Strip	{ 57	AC
								4018/15A	Mounting Bracket	{ 57	AD
								4018/30	Contact Peg	{ 59	Q

Part No.	Part Name	Page	Index Letters	Part No.	Part Name	Page	Index Letters	Part No.	Part Name	Page	Index Letters
4019/2C	Drive Shaft CP	43	-	4022/27	Retaining Plate (Short)	83	S	4023/39B	Ratchet Feed Support Plate CP	63	-
4019/3C	Drive Shaft	43	J	4022/28	Retaining Plate (Long)	83	T	4023/40	Ratchet Feed Support Plate Sub CP	63	BC
4019/4	Bearing Bracket CP	43	AS	4022/30A	Support Bracket CP	83	BT	4023/43	Bearing Bracket	63	R
4019/6A	Driven Gear	49	-	4022/31	Pivot Clamp	83	AO	4023/44	Platen Retention Wheel	63	M
4019/7A	Driven Gear	49	-	4022/37B	Front Guide Plate	83	CX	4023/47	Clamp Wheel	63	N
4019/11C	Dog	47	ED	4022/41	Feed Pawl CP	83	CC	4023/49	Stripper Bar	63	BW
4019/12	Gear Change Fork CP	47	EH	4022/43	Feed Lever CP	83	CB	4023/50	Pressure Roller Arm (LH) CP	63	AE
4019/15	Gear Lever	47	EJ	4022/49	Punching Arm CP	83	AB	4023/51	Rear Roller Arm Pivot	63	AK
4019/17A	Driven Gear	49	-	4022/53A	Driving Plate	83	AE	4023/54	Pressure Roller Arm (RH) CP	63	AF
4019/19	Gear Lever	47	EJ	4022/55	Reperforating Out Lever CP	83	AK	4023/56	Retention Roller Bracket CP	63	AU
4019/27	Driven Gear	49	-	4022/57	Support Plate CP	83	AC	4023/64	Roller CP	63	AG
4019/29	Gear Lever	47	EJ	4022/60	Interposer	83	AG	4023/67	Distance Collar	63	U
4019/30	Driven Gear	49	-	4022/61	Retainer	83	AH	4023/68	Platen Feed Ratchet	63	K
4019/31	Driven Gear	49	-	4022/62	Punching Arm Assembly	83	-	4023/69	Platen Feed Ratchet CP	63	-
4019/32	Driven Gear	49	-	4022/64A	Punch Block Head Casting	83	AS	4023/73	Sprocket Feed Change Lever	63	S
4019/33	Gear Lever	47	EJ	4022/65	Set of Punchers	83	AV	4023/103A	Pin Retraction Cam	63	G
4019/34	Gear Lever	47	EJ	4022/66B	GRP1, GRP2 Punch Block Head Sub CP	83	-	4023/109	Paper Guide Retainer (LH) CP	63	AN
4019/35	Drive Shaft	43	J	4022/71	Anvil CP	83	V	4023/110	Paper Guide Retainer (RH) CP	63	AO
4019/36	Drive Shaft CP	43	-	4022/75	Retention Lever Bracket CP	83	CH	4023/111	Pivot Bracket Guide	63	AP
4019/37	Driven Gear	49	-	4022/77	Guide Rack CP	83	W	4023/112	Window	95	B
4019/38	Driven Gear	49	-	4022/78	Clamp Block Support	83	AP	4023/115	Paper Guide Bar Lever (LH) CP	63	BR
4019/39	Driven Gear	49	-	4022/79	Punch Withdrawal Plate	83	Y	4023/116	Paper Guide Bar Lever (RH) CP	63	BS
S4020B	Operation Counter	9	AF	4022/80	Retaining Plate	83	X	4023/120	Paper Guide CP	63	AB
4020/1B	Mounting Plate Sub CP	81	A	4022/81	Retaining Rod	83	U	4023/121	Platen Sub CP	63	E
4020/4A	Worm Wheel CP	81	AF	4022/82	Joint Piece	83	CG	4023/122	Platen End Cap CP	63	O
4020/7	Actuating Lever Sub CP	81	C	4022/84	Retention Wheel	83	BB	4023/123A	Platen Spindle CP	63	-
4020/9	Pawl CP	81	D	4022/86	Roller Bracket	83	DB	4023/124	Platen Final CP	63	-
4020/10	Actuating Lever CP	81	-	4022/87	Cover Pillar	83	DO	4023/125	Pressure Rollers CP	63	-
4020/11	Side Plate Sub CP	81	B	4022/92A	Driving Plate Retainer	83	DF	4023/154	Spindle	63	F
4020/13	Side Plate CP	81	-	4022/93	Side Cover	83	DQ	4023/186	Control Mechanism CP GRP1	65	-
4020/14	Ratchet Shaft CP	81	H	4022/96A	Stop Plate	83	DZ	4040/12	Bearing Retainer	57	H
4020/17	Retention Pawl CP	81	F	4022/97	Shim	83	DA	4040/13	Bearing Cap (Commutator End)	57	S
4020/18	Side Plate Bracket	81	G	4022/102	Tape Retainer	83	DJ	4040/14	Bearing Cap	57	F
4020/20	Compensator Cam Lever Extension	81	O	4022/104	Mounting Block	83	DY	4040/30	Inner Race Thrust Collar	57	G
4020/31	Clamping Plate CP	81	N	4022/107	Retaining Sleeve	83	DX	4040/31	Gasket	61	R
4020/37	Support Bar	81	P	4022/108	Support Plate	83	BU	4040/32	Special Washer	61	B
S4022A	Reperforating Unit	7	N	4022/129	Feed Ratchet	83	BZ	4040/37	Bearing Clamp Plate	57	M
4022/2	Reperforating Support Bracket CP	83	A	4022/132	Retention Lever CP	83	CL	4040/71	Fan End Cover	57	D
4022/3	Selector Bar No. 1	83	C	4022/135	Cuttings Chute CP	83	DM	4040/79	Brush Box Cover CP	57	N
4022/4	Selector Bar No. 2	83	D	4022/138	Cuttings Chute Cover	83	DN	4040/85B	Field Magnet Sub CP	57	K
4022/5	Selector Bar No. 3	83	E	4022/139	Reperforating Side Cover CP	83	DP	4040/92	Armature	57	Q
4022/6	Selector Bar No. 4	83	F	4022/142	Lateral Tape Guide CP	83	DH	4040/99	Brush Box	57	V
4022/7	Selector Bar No. 5	83	G	4022/144	Guide Shoe	83	DK	4040/100	Brush Mounting Plate	57	N
4022/8A	Feed Hole Interposer	83	H	4022/145	Guide	83	DL	4040/101	Brush Slide	57	W
4022/10	Adjustment Plate CP	83	R	4022/146	Guide Spring CP	83	DD	4040/115	Bearing Cap	61	P
4022/19	Selector Bellcrank (Upper) CP	83	K	4022/147	Lateral Tape Guide CP	83	-	4040/116	Armature CP	57	-
4022/21	Selector Bellcrank (Lower) CP	83	L	4022/150	Die Assembly (Centre Feed)	83	AA	4040/126	Field Coil CP	57	R
4022/22	Push Rod No. 1	83	M	4022/151	Die Assembly (Advance Feed)	83	AA	4040/128	Commutator End Cover	57	R
4022/23	Push Rod No. 2	83	N	4022/152	Punch and Die Assembly (Centre Feed)	83	AA	4040/129	Commutator End Cover CP	57	M
4022/24	Push Rod No. 3	83	O	4022/153	Punch and Die Assembly (Advance Feed)	83	H	4040/130	Field Magnet CP	57	-
4022/25	Push Rod No. 4	83	P	4023/15A	Platen End Cap	63	AA	4040/131	Commutator End Cover and Body CP	57	-
4022/26	Push Rod No. 5	83	Q	4023/30	Support Bar	63	AA	4040/132	Motor CP	57	-

Part No.	Part Name	Page	Index Letters
S4098	Cover Unit	7	-
4098/1	Cover Unit Sub CP	95	A
S4151	Tape Reader Casting Assembly	7	0
		87	-
		89	-
		91	-
4151/1A	Pecker Operating Cam 'GA'	33	CT
4151/2A	Cam Spacer	33	CS
4151/3A	Cam Spacer	33	CU
4151/15	Combination Bar CP	71	PG
		93	V
4151/16	Run Out Bar CP	71	FF
4151/17	Trip Bar CP	93	U
4151/21	Cover Unit Sub CP	71	FH
4151/26	Set of Combination Bars CP	95	W
		71	A
		93	-
4151/31A	Base Plate CP	9*	AV
4151/34A	Roller Lever CP	11	AV
4151/36	Comb Bar Reset Lever CP	11	AW
4151/37A	Delay Plate CP	67	AV
		93	AL
4151/39	Disable Lever CP	9*	AU
		11	AU
4151/41	Latch Lever CP	9*	AZ
4151/42	Reset Mechanism CP	11	AZ
4151/43	Reset Lever Bearing Bracket	67	BH
4151/44	Roller Pivot Retainer	93	AX
4151/45	Keep Plate	67	-
		93	-
4151/48	Retaining Plate	67	AU
		93	AK
4151/49	Lower Guide Bracket	67	BC
		93	AS
4151/54	Taut Tape Lever CP	71	EQ
		93	T
4151/56	Jockey Lever CP	87*	BG
		89*	BG
		91	BG
4151/58	Taut Tape Arm	87*	BF
		89*	BF
		91	BF
4151/59	Roller Bracket	87*	AV
		89*	AN
		91	AN
		87*	AT
		89*	AT
		91	AT
		87*	AM
		89*	AM
		91	AM
		87*	AO
		89*	AO
		91	AO

Part No.	Part Name	Page	Index Letters
4151/62B	Peckers Withdrawal Lever Sub CP	31	C
4151/64	Line Feed Bracket CP	31	B
4151/70	No. 5 Pecker CP	87	N
		89*	N
		91*	N
4151/71	No. 4 Pecker CP	87	M
		89*	M
		91*	M
4151/72	No. 3 Pecker CP	87	L
		89*	L
		91*	L
4151/73	No. 2 Pecker CP	87	K
		89*	K
		91*	K
4151/74	No. 1 Pecker CP	87	J
		89*	J
		91*	J
4151/75B	Tape Out Seeker	87	O
		89*	O
		91*	O
4151/76	Tape Out Frame	87	AV
		89*	AV
		91*	AV
4151/77	Top Rack	87	AW
		89*	AW
		91	AW
4151/80	Bearing Bracket CP	87*	BE
		89*	BE
		91	BE
4151/81	Feed Pawl	87*	BW
		89	BW
		91*	BW
4151/83	Feed Lever CP	87*	BV
		89	BV
		91*	BV
4151/84	Feed Suppression Lever	87*	CH
		89	CH
		91*	CH
4151/86	Feed Link CP	87*	BY
		89	BY
		91*	BY
4151/87	Feed Latch	87*	BZ
		89	BZ
		91*	BZ
4151/89	Ratchet	87*	BW
		89	BN
		91*	BN
4151/90	Clamp	87*	BO
		89	BO
		91*	BO
4151/91	Tape Feed Spindle	87	B
		89*	B
		91*	B
4151/92	Guide Plate	87*	CC
		89	CC
		91*	CC
4151/98	Retention Lever CP	87*	BQ
		89	BQ
		91*	BQ

Part No.	Part Name	Page	Index Letters
4151/104	Jockey Lever CP	87	AC
		89*	AC
		91*	AC
4151/105	Jockey Cam	87	V
		89*	V
		91*	V
4151/109	Peckers Rack	87	R
		89*	R
		91*	R
4151/110	Code Bar Suppressor	87	Y
		89*	Y
		91*	Y
4151/115	Bearing Block	87*	AF
		89*	AF
		91	AF
4151/116	Spacer	87	C
		89*	C
		91*	C
4151/124	Tape Plate Final CP	87*	AE
		89*	AE
		91	AE
4151/126	Trip Bar	87*	BA
		89*	BA
		91	BA
4151/127	Code Bar	87*	AY
		89*	AY
		91	AY
4151/128	Taut Tape Bar	87*	AZ
		89*	AZ
		91	AZ
4151/129	Manual Trip Lever CP	13	BN
4151/131	Manual Trip Interposer CP	13	BS
4151/132	No. 1 Code Frame	13	BD
4151/133	No. 2 Code Frame	13	BE
4151/134	No. 3 Code Frame	13	BF
4151/135	No. 4 Code Frame	13	BG
4151/139	No. 5 Code Frame	13	BH
4151/141	Washer Plate	13	BX
4151/143	Bearing Bracket LH CP	13	BO
4151/145	Bearing Bracket RH CP	13	BV
4151/146	Spindle	13	BL
4151/147	Shim	13	BW
4151/160	Disable Lever CP	71	EZ
		93	AY
4151/163	RH Keyboard Side Plate	93	AD
4151/165	LH Keyboard Side Plate CP	93	AE
4151/168	Combination Bed Sub Assembly	93	-
4151/160	Transfer Lever CP	87*	BH
		89*	BH
		91	BH
4151/161	Rack Plate	87*	BC
		89*	BC
		91	BC
4151/162	Top Retaining Plate CP	87*	BB
		89*	BB
		91	BB
4151/165	Manual Trip Mounting Bracket	71	EV
		93	O

Part No.	Part Name	Page	Index Letters	Part No.	Part Name	Page	Index Letters	Part No.	Part Name	Page	Index Letters
4151/166	Link Bracket	71	ES	4151/288	Strap	87*	AX	4275/5	Capacitor Clip	19*	CK
4151/167	Trip Bracket	93	L	4151/291	Taut Tape Frame CP	91	AX	4275/9	Tagboard CP	19	BJ
4151/170	Trip Arm	71	K	4151/292	Taut Tape Interposer CP	13	BJ	4275/10	Electromagnet Spark Quench CP	19	BJ
4151/172	Cover Plate	93	BU	4151/302	Code Bar Suppressor Guide	87	BT	4275/11	Connexion Plate	23*	BY
4151/173	Cover	87	EP	4151/304	Tape Gate CP	89*	AA	4275/14	Fixing Plate	21	AQ
4151/174	Cover Plate	91*	S	4151/308	Transmitter Cover CP	91	AA	4275/15	12 Way Plug CP	17	AQ
4151/210	Cover Unit	7	CK	4151/344	Peckers and Tape Out Seeker CP	87	AA	4275/17	Pillar	19	BY
4151/219	Feed Lever Sub Assembly	89	CK	4163/3B	Motor Support Bracket	61	AA	4275/18	Filter Unit Base Plate	19	BU
4151/220	Code Bars Assembly	87	CK	4163/4A	Motor Base Plate	61	AA	4275/19	R. I. S. Unit Connexion Block Cableform CP	23	BU
4151/221	Tape Plate Assembly	89	CK	4163/5	Plug	61	AA	4275/20	R. I. S. Unit Connexion Block Cableform CP	79	P
4151/222	Code Frames Assembly	91	BC	S4164	GRP1, GRP2 Combination Bar Unit	71	AK	4275/21	Transmitter Cableform CP	17	Q
4151/228	Keyboard Mask CP (3 Row)	87	BC	4164/1	GRP1, GRP2 Comb Bar Unit Sub Assembly	71	AK	4275/22	Contact Mounting Plate CP	21	A
4151/229	Trip Bracket Assembly CP	9*	E	4169/39	Trip Bellcrank CP	39	AK	4275/23	Base Casting and Pin CP	19	AR
4151/237	Keyboard Mask CP (4 Row Single Space Pad)	11	E	4173/122	Bell Function Bar Extension	41	S	4275/24	Motor Connexion Socket CP	23	AR
4151/240	Keyboard Mask CP (4 Row Treble Space Pad)	13	E	4176/44	Cover Plate	19	U	4275/25	Filter Unit CP	19	Q
4151/243	Dummy Front	7	E	4216/1	Answer Back Wards	75	U	4275/26	3 Way Plug and Plate CP	23	Q
4151/244	Dummy Keyboard Unit CP	7	E	TO			U	4275/27	Fixing Plate	17	AO
4151/247	Cover Unit Sub CP	93	E	4216/33			U	4275/28	3 Way Plug and Plate CP	21	AO
4151/249	Cover Unit	7	E	4228/4A	Fan End Cover	61	K	4275/29	Electrolytic Capacitor CP	23	Q
4151/251A	Switch Knob	89*	E	4228/5A	Switch End Cover	61	K	4275/30	Motor Capacitor CP	19	CE
4151/254	Cover	87	E	4228/11A	Link	61	F	4275/32	Capacitor Strap	23	CE
4151/263	Side Plate CP	89*	D	4228/16A	Tie Bar	61	V	4275/33	Signals Radio Interference Suppression Unit	19	CV
4151/264	GRP1 Tape Reader Casting Sub Assembly	89	D	4228/16A	Anchor Plate	61	D	4275/34	Cable Cleat	19	CU
4151/270A	Switch Camshaft	87	A	4228/20A	Stator CP	61	D	S4277	Spring Drum and E. O. L. I.	9	C
4151/273	Trip Off CP	91*	A	4228/31A	Rotor CP	61	A			53	C
4151/283	Tie Rod	39	A	4228/32A	Switch Plate	61	B				C
		93	A	4228/38	Switch Plate	61	C				C
			X	4228/43	Roller	61	E				C
			X	4228/44	Roller	61	E				C
			X	4228/50	GRP1 Switch Final Assembly	61	J				C
			CK	4228/51	Switch End Cover CP	61	J				C
			CK	4228/54	GRP1 Switch Mechanism CP	61	J				C
			CK	4228/54	GRP2 Switch Mechanism CP	61	J				C
			CK	4242/1	Back Spacing Pawl Guide	83	CN				C
			AH	4242/2	Eccentric Carrier CP	83	CS				C
			AH	4242/4	Clamp Plate	83	CS				C
			A	4242/5	Pawl Carrier Assembly	83	CU				C
			A	4242/6	Pawl Carrier CP	83	CU				C
			A	4242/8	Back Space Pawl CP	83	CU				C
			U	4242/24	Pawl Guide	83	CP				C
			U	4242/25	Support Pin CP	83	BZ				C
			U	4242/50	Base Plate Unit	83	BE				C
			U	4242/51	Base Plate and Racks	83	BE				C
			AF				B				C

Part No.	Part Name	Page	Index Letters	Part No.	Part Name	Page	Index Letters
4277/1	End of Line Indicator	53	A	S4280	Translator Unit	9	Q
4277/2A	Mounting Bracket	53	J	4280/1	Translator Unit Base Plate CP	11*	Q
4277/6	E. O. L. I. Lamp Bracket	53	P	4280/2	Translator Unit 1st Stage CP	37	-
4277/7	Inner Half Spring Drum CP	53	S	4280/3	Translator Unit 2nd Stage CP	39	-
4277/8	Outer Half Spring Drum CP	53	T	4280/7	GRP1 to 5	31	-
4277/9	Spring Drum Flange	53	B	4280/9	Compensator Lever CP	31	AL
4277/10	Switch Bracket CP	53	E	4280/10	Clutch Trigger CP	33	DT
4277/11	Microswitch Cover CP	53	U	4280/11	Outer Band Anchor CP	33	DY
4277/12	Cam Follower Arm	53	G	4280/12	Clutch Band Retainer	33	DU
4277/17	Spring Drum CP	53	G	4280/14	Clamp Block	33	DV
4277/18	Carriage Return Tape CP	11*	G	4280/16	Compensator Cam 'VA'	31	EM
4277/19	Microswitch and Cableform CP	53	W	4280/14	Translator Clutch Band	33	DW
S4278	Selector Unit (Single Speed Model)	43	S	4280/19	Trigger Stop and Frame	33	DS
4278/1	Selector Unit Sub Assembly	43	-	4280/21	Bearing Cylinder	33	DX
4278/3	Adjustment Plate CP	45	EZ	4280/22	Clutch Band Clamp	33	EB
4278/4	Trigger CP	45	BU	4280/35	Traverse Camshaft CP	31	-
4278/5	Clutch Frame CP	45	BO	S4281	Platen Unit	9	V
4278/6	Selector Camshaft	45	BT	4281/3	Platen Side Plate LH CP	11*	V
4278/11	Spring Guide	45	BO	4281/4	Platen Side Plate RH CP	63	-
4278/12	Clamp Block	45	BW	4281/6	Platen Sub Plate CP	63	A
4278/14	Clamp Plate	33	BX	S4282	Motor Unit (Governed)	9	-
4278/17	Selector Clutch Band	45	DZ	4282/1	Resistor Board CP	11	-
4278/20	Selector Cam sleeve CP	45	CD	4282/2	Inductor CP	57	-
4278/21	Rockshaft Operating Arm	43	X	4282/3	Plug Assembly CP	57	AJ
4278/22	Starter Main Plate	43	D	4282/4	Motor Base	57	-
4278/23	Adjustment Bracket	43	E	4282/5	Capacitor CP	57	Y
4278/25	Mounting Bracket CP	43	C	4282/6	Governor Contacts CP	57	AQ
4278/26	Starter Main Plate Assembly	43	-	S4283	Synchronous Motor Unit	9	-
4278/27	Armature K.O. Link	47	FN	4283/1	Motor Fan	61	AA
4278/28	Armature Knock Out Link CP	47	-	4283/2	Motor Support Plate	61	Z
4278/31	Retention Locking Lever CP	47	-	S4284	Electromagnet Unit	17	B
4278/32	Lever CP	47	ER	4284/2	Armature Link Pivot Bracket CP	21	B
4278/34	Cam CP	47	ET	4284/5	Armature Link CP	29	N
4278/37	Knockout Lever CP	47	EM	S4293	Function Bar Unit	37	O
4278/39	Lever CP	47	EQ	4293	Function Bar Unit	41	-
4278/40	Send/Receive Delay Lever CP	47	EL	S4294	Machine Sub Assembly	7	A
4278/42	Rockshaft CP	43	-	4294	Machine Sub Assembly	9	-
4278/43	Rockshaft Sub CP	43	S	4294/1	Selector Unit Sub Assembly	11	-
4278/45	Retention Lifting Arm CP	43	U				
4278/46	Lever CP	43	U				
4278/48	Retention Lifting Arm Sub CP	43	T				
4278/49	Selector Clutch Assembly	45	-				
4278/50	Clutch Band Clamp	45	CE				
4278/61	Orientation Casting	45	BE				
4278/62	Orientation CP	45	-				
S4279	Selector Unit (Gear Box Model)	9	S				
4279/1	Selector Unit Sub Assembly	11*	S				
		43	-				
		49	-				
		43	-				

Part No.	Part Name	Page	Index Letters	Part No.	Part Name	Page	Index Letters	Part No.	Part Name	Page	Index Letters
KN NUMBERS (KNOBS)											
KN1032	Feed Wheel Knob	83	BC	PB4764	Bush	19*	CJ	PF1127	Lubricating Washer	51	H
KN1034A	Knob	83	CA	PB4902	Spacer	23	CJ	PF1128	Lubricating Washer	9	M
KN1038	Knob	87*	AP	PB4903	Spacer (Long)	67	BL	PF1130	Lubricating Pad	11*	M
		89*	AP	PB4913	Spacing Bush	87*	CD	PF1131	Lubricating Strip	51	O
		91	AP	PB4916	Special Bush	89	CD	PF1133	Lubricating Washer	51	AD
KY NUMBERS (KEYS)				PB4971	Special Bush	91*	CB	PF1134	Lubricating Washer	65	CY
KY1040A	Key	33	DJ	PB5046	Collar	87*	CB	PF1136	Lubricating Plug	31	Q
KY1042A	Key	31	BU	PB5056	Collar	89	CB	PF1138	Lubricating Washer	37	V
KY1047	Key	31	CN	PB5093	Bush	87*	EM	PF1139	Lubricating Washer	37	AY
KY1048	Key	33	DF	PE NUMBERS (INSULATORS)		89	EM	PF1140	Lubricating Washer	35	AX
KY1049	Key	33	EJ	PE1007A	Insulator	85	BM	PF1141	Lubricating Pad	37	T
KY1077	Key	31	BO	PE1078	Grommet	85	BM	PF1142	Lubricating Washer	37	BE
PB NUMBERS (BUSHES)				PE1225	Insulating Collet	85	BT	PF1143	Lubricating Washer	39	DG
PB2108	Shouldered Bush	43	Z	PE2008	Insulating Bush	55	EA	PF1155	Lubricating Washer	51	AB
PB4396B	Bush	63	BV	PE5004A	Insulator	33	CC	PF1162	Lubricating Plug	37	BA
PB4403	Spacing Collar	17	K	PE5121	Insulator	45	Q	PF1173	Lubricating Strip	31	ED
PB4405	Shouldered Bush	21	K	PE5122	Insulator	81	Q	PF1174	Lubricating Washer	55	J
PB4440	Shouldered Bush	35	BU	PF NUMBERS (LUBRICATORS)		77	Q	PF1201	Lubricating Washer	9*	CP
PB4450	Spacing Collar	37	BR	PF1098	Felt Lubricator	59	T	PF1206	Spring Damper	11	BB
PB4451A	Collar	47	EB	PF1107	Lubrication Washer	59	D	PG NUMBERS (SPRINGS)		15	P
PB4453	Shouldered Bush	47	DA	PF1108	Lubricating Felt	71	EA	PG1503	Carriage Spring	53	Q
PB4454	Spacing Collar	43	N	PF1113	Lubricating Washer	15	T	PG1503	Carriage Spring	83	BS
PB4459	Collar	47	AP	PF1114	Lubricating Washer	17	G	PG1503	Carriage Spring	71	FP
PB4470	Trip Frame Spacing Collar	45	BG	PF1115	Lubricating Washer	37	EA	PG1503	Carriage Spring	83	AM
PB4471	Selector Frames Spacing Collar	73	E	PF1116	Lubricating Washer	37	T	PG1503	Carriage Spring	55	AB
PB4489A	Bush	31	L	PF1124	Lubrication Plug	15	G	PG1503	Carriage Spring	55	AE
PB4490A	Bush	33	E	PF1125	Lubrication Washer	17	Q	PG1503	Carriage Spring	55	AC
PB4496B	Bush	31	DG	PF1126	Lubrication Washer	35	Q	PG1503	Carriage Spring	31	J
PB4499	Bush	31	EN	PF1127	Lubrication Washer	15	BP	PG1503	Carriage Spring	51	CF
PB4500	Bush	57	F	PF1128	Lubrication Washer	37	R	PG1503	Carriage Spring	51	BC
PB4503	Bush	31	AH	PF1129	Lubrication Washer	13	AV	PG1503	Carriage Spring	51	BC
PB4511	Flanged Bush	31	BQ	PF1130	Lubrication Washer	15	RP	PG1503	Carriage Spring	35	CR
PB4514	Bush	51	BW	PF1131	Lubrication Washer	15	H AD	PG1503	Carriage Spring	71	DG
PB4515	Collar	51	X	PF1132	Lubrication Washer	17	M	PG1503	Carriage Spring	67	BR
PB4516	Collar	51	Y	PF1133	Lubrication Washer	21	M	PG1503	Carriage Spring	67	BU
PB4523A	Spacing Collar	51	Y	PF1134	Lubrication Washer	55	BF	PG1503	Carriage Spring	35	BE
PB4524	Collar	51	AV	PF1135	Lubrication Washer	65	CV	PG1503	Carriage Spring	35	BG
PB4556A	Collar	67	BA	PF1136	Lubrication Washer	19	G	PG1503	Carriage Spring	35	CU
PB4557A	Collar	67	BS	PF1137	Lubrication Washer	23	BC	PG1503	Carriage Spring	35	CO
PB4558A	Shouldered Bush	71	DQ	PF1138	Lubrication Washer	37	BC	PG1503	Carriage Spring	37	AG
PB4578	Bush	35	DQ	PF1139	Lubrication Washer	37	BW	PG1503	Carriage Spring	37	AO
PB4579	Bush	35	BH	PF1140	Lubrication Washer	37	CA	PG1503	Carriage Spring	37	BH
PB4583	Bush	35	BN	PF1141	Lubrication Washer	37	CA	PG1503	Carriage Spring	37	BH
PB4632	Collar	75	CN	PF1142	Lubrication Washer	37	AS	PG1503	Carriage Spring	37	BH
PB4655	Collar	39	AJ	PF1143	Lubrication Washer	37	AE	PG1503	Carriage Spring	37	BH
PB4656	Spacer	35	DZ	PF1144	Lubrication Washer	37	BF	PG1503	Carriage Spring	37	BH
PB4686	Collar	37	BS	PF1145	Lubrication Washer	37	AV	PG1503	Carriage Spring	37	BH
PB4687	Spacing Collar	45	CH	PF1146	Lubrication Washer	37	AV	PG1503	Carriage Spring	37	BH
PB4731	Hexagon Bush	45	CG	PF1147	Lubrication Washer	37	CA	PG1503	Carriage Spring	37	BH
PB4732	Rocker Arm Bearing Bush	31	AW	PF1148	Lubrication Washer	37	AS	PG1503	Carriage Spring	37	BH
PB4736	Spacing Collar	31	AX	PF1149	Lubrication Washer	37	AE	PG1503	Carriage Spring	37	BH
		39	AX	PF1150	Lubrication Washer	37	BF	PG1503	Carriage Spring	37	BH
		39	DZ	PF1151	Lubrication Washer	37	BF	PG1503	Carriage Spring	37	BH

Part No.	Part Name	Page	Index Letters	Part No.	Part Name	Page	Index Letters	Part No.	Part Name	Page	Index Letters
PG3204	Torsion Spring	29	P	PG5159	Compression Spring	9	L	PG7496	Tension Spring	15	N
PG3213	Torsion Spring	39	EQ	PG5161	Spring	51*	L	PG7497A	Tension Spring	7	L
PG3214	Torsion Spring	39	EU	PG7029	Tension Spring	81	CU	PG7512	Tension Spring	39	EV
PG3220	Torsion Spring	39	DU	PG7066	Tension Spring	87*	G	PG7513	Tension Spring	95	H
PG3223	Special Spring	35	E	PG7077	Tension Spring	89	CJ	PG7514A	Tension Spring	51	CB
PG3224	Torsion Spring	85	AB	PG7078	Tension Spring	91*	CJ	PG7521	Tension Spring	83	J
PG3225	Torsion Spring	85	Y	PG7100	Tension Spring	41	CJ	PG7523	Tension Spring	67	AR
PG3227	Torsion Spring	39	CT	PG7101	Tension Spring	71	AC	PG7525A	Tension Spring	83	CO
PG3229	Special Spring	63	CA	PG7145A	Tension Spring	89	FL	PG7526B	Tension Spring	83	CE
PG3230	Special Spring	63	J	PG7176	Tension Spring	83	Z	PG7527	Tension Spring	83	CF
PG3232	Special Spring	71	DR	PG7197	Tension Spring	65	BP	PG7528	Tension Spring	83	AL
PG3235	Torsion Spring	55	BQ	PG7387	Tension Spring	37	CJ	PG7529	Tension Spring	33	AQ
PG3236	Torsion Spring	55	BR	PG7388A	Tension Spring	83	BL	PG7531	Tension Spring	81	K
PG3237	Torsion Spring	65	CU	PG7438	Tension Spring	87*	BL	PG7532	Tension Spring	81	L
PG3278	Special Spring	75	AO	PG7442	Tension Spring	89	BT	PG7534	Tension Spring	63	AY
PG3279	Latch Trip Lever Spring	75	AR	PG7444	Tension Spring	91*	BT	PG7536	Tension Spring	39	DC
				PG7445	Tension Spring	87*	BT	PG7537	Spring	63	RU
				PG7446A	Tension Spring	83	CW	PG7538	Tension Spring	63	AW
PG3299	Torsion Spring	87*	BX	PG7447	Tension Spring	89	CW	PG7539A	Spring	63	BT
				PG7448	Tension Spring	87*	CE	PG7540	Tension Spring	63	BT
				PG7449	Selector Frames	47	CE	PG7541	Tension Spring	15	OH
				PG7450	Tension Spring	73	CE	PG7542A	Tension Spring	15	O
PG3301	Torsion Spring	87*	CA	PG7452	Tension Spring	47	CE	PG7543	Tension Spring	35	CH
				PG7454B	Tension Spring	51	CE	PG7545	Tension Spring	29	T
				PG7456	Tension Spring	37	CE	PG7548	Damper Spring	63	BQ
				PG7466C	Tension Spring	41	CE	PG7551	Tension Spring	43	AX
				PG7467A	Tension Spring	41	DQ	PG7552A	Tension Spring	41	N
				PG7468C	Tension Spring	67	DQ	PG7557	Tension Spring	41	P
				PG7470	Tension Spring	71	DR	PG7558	Tension Spring	69	CS
				PG7471	Tension Spring	89	CY	PG7562	Tension Spring	11	AE
				PG7472	Tension Spring	91*	CY	PG7578	Dashboard Return Spring	25	DM
				PG7474	Tension Spring	35	DW	PG7592A	Tension Spring	31	BH
				PG7475A	Tension Spring	35	M	PG7615	Lag Disk Spring	75	J
				PG7476	Tension Spring	35	Q	PG7616	Tension Spring	75	AU
				PG7477	Tension Spring	35	P	PG7617	Tension Spring	75	BB
				PG7478	Tension Spring	35	BV	PG7618	Tension Spring	75	AL
				PG7479	Tension Spring	39	AV	PG7619	Tension Spring	75	AC
				PG7481A	Tension Spring	31	H	PG7624	Tension Spring	71	FM
				PG7483	Tension Spring	39	X	PG7624	Tension Spring	93	AZ
				PG7484	Tension Spring	35	H	PG7636	Tension Spring	13	BY
				PG7488	Tension Spring	47	Z	PG7638	Tension Spring	87	AD
				PG7493A	Tension Spring	55	DN	PG7639	Tension Spring	87*	AD
							FK	PG7644	Tension Spring	87*	AD
							Y	PG7661A	Tension Spring	91*	AD
							BP	PG7666	Peckers Spring (Long)	87	AB
							CH	PG7667	Peckers Spring (Short)	87*	AB
							CG			87*	AB
							35			87*	AB
							39			87	BK
							EK			87*	BK
							BK			87*	BK
							N			87*	BK
							R			91*	BK
							DX			87	FK
							T			87*	Q
							CR			87*	Q
							BA			87	P
							EK			87*	P
							BH			87*	P
							S			91*	P

Part No.	Part Name	Page	Index Letters	Part No.	Part Name	Page	Index Letters	Part No.	Part Name	Page	Index Letters
PS5238	Special Screw	7	-	PS7107	Special Screw	51	BK	PW5689	Special Washer	67	BG
		9	-	PS7112	Special Screw	35	CD	PW5691	Special Washer	93	AW
		11	-	PS7129	Special Screw	39	EE	PW5692	Special Washer	83	DE
		7	F	PS7174	Special Screw	39	EJ			51	BZ
PS5289	Special Screw	67	AQ	PS7176	Special Screw	31	Z	PW5693	Special Washer	11*	N
		69	CQ	PS7184	Spring Drum Pivot	83	BW			35	N
		83	DR	PS7238	Special Screw	87*	AQ			51	AY
PS5392	Special Screw	45	CT			89*	AQ			51	CT
PS5395	Special Screw	35	AR			91	AQ			11	AX
PS5396	Special Screw	37	AF			53	O			51	BD
		37	AN			19	AT			83	CV
		37	BG			23	AT			51	BF
PS5399	Special Screw	7	-							51	AM
PS5413	Special Hexagon Head Screw	51	BM							75	W
PS5458	Special Screw	51	B							39	CU
PS5459	Special Screw	51	B							51	AQ
PS5637	Eccentric Screw	83	BN							35	M
PS5640	Special Screw	83	BH							37	AW
PS5647A	Special Screw	63	CH							39	DD
PS5648	Special Screw	63	CB							31	AD
PS5649	Special Screw	63	BF							35	AK
PS5651	Change Arm Pivot	55	AL							71	DS
PS5654	Special Screw	47	DP							39	DT
PS5655	Special Screw	47	DU							37	U
PS5656	Shouldered Screw	43	AB							37	Q
PS5659	Shouldered Screw	51	CN							37	BJ
PS5660	Special Screw	51	BR							37	BF
PS5665	Shouldered Screw	71	DM							65	CX
PS5672	Special Screw	7	-							39	CZ
		77	T							43	W
		9	AS							9	-
PS5673	Special Screw	11*	AS							11	-
		35	AP							57	AR
		73	U							19	AU
PS5674	Shouldered Screw	7	-							23	AU
PS5686	Special Hexagon Head Screw	67	AP							29	Q
PS5687A	Shouldered Pin	69	CP							33	CP
PS5692	Shouldered Screw	83	DD							71	FJ
PS5693	Shouldered Screw	63	T							93	AA
PS5696A	Shouldered Screw	51	CZ							83	AJ
PS5697	Shouldered Screw	89*	BC							51	BS
		43	EH							45	CK
PS5924	Shiftlock Bearing (RH)	91*	BC							31	BY
		71	J							33	EE
PS5927	Special Screw	57	T							51	BT
		61	T							63	BA
PS5927	Cone Point Screw	67	G							17	AF
PS6119	Special Screw	93	AJ							21*	AF
PS6121	Special Screw	39	DK							31	BV
PS6122	Special Screw	83	AR							87	W
		43	AZ							89*	W
PS6146	Special Screw	47	EE							91*	W
PS6228	Special Screw	55	BS							31	AP
PS6517	Knurled Head Screw	45	BL							51	CY
PS6518	Upper Armature Pivot Screw	29	K							59	K
PS6525	Lower Armature Pivot Screw	29	D							37	AP
PS6547	Link Screw	25	DN							37	AP
PS6608	Adjustment Screw	75	AB							25	DF
PS7034	Special Screw	51	B								
PS7106	Special Screw	51	F								
		51	AY								

Part No.	Part Name	Page	Index Letters
PW5797	Special Washer ..	81	E
PW5798	Shim ..	{ 37	AE
PW5802	Spool Damping Washer ..	55	AM
PW5803	Friction Washer ..	37	P
PW5805	Special Washer ..	25	R
PW5820	Special Washer ..	37	DD
PW5843	Special Washer ..	39	BO
PW5849	Washer ..	75	DA
PW5855	Special Washer ..	51	V
PW5861	Spacer ..	51	EN
PW5870	Special Washer ..	13	EM
PW5876	Spacer ..	33	DM
PW5877	Washer ..	45	BY
PW5879	Special Washer ..	45	BR
		31	EL
PW5881	Special Washer ..	{ 9	-
		11	-
PW5882	Shim ..	61	AG
PW5917	Shim ..	45	BP
		37	N

Part No.	Part Name	Page	Index Letters
RB NUMBERS (RUBBER FEET)			
RB1020	Rubber Foot ..	{ 19	AS
		23	AS
		85	S
RL NUMBERS (ROLLERS)			
RL1169B	Ribbon Roller ..	55	AY
RL1179	Roller ..	51	BQ
RL1180A	Roller ..	51	CO
RL1181	Roller ..	51	CM
		9	AP
		11*	AP
RL1183	Roller ..	{ 67	AZ
		71	DV
		93	AP
RL1185	Roller ..	{ 67	BE
		93	AU
		35	AL
RL1186	Roller ..	{ 39	EL
		65	CZ

Part No.	Part Name	Page	Index Letters
RL1188	Roller ..	39	CP
RL1190	Roller ..	{ 9	AQ
		11*	AQ
RL1209	Cam Roller ..	31	AY
RL1212	Roller ..	31	AA
RL1217	Connecting Link Roller ..	25	DK
RL1242	Lag Disk Roller ..	75	G
RL1246	Carriage Return Tape Roller ..	55	D
RL1249	Roller ..	{ 67	BA
		87*	AQ
		89*	AH
RL1250	Roller (Long) ..	{ 87*	AR
		91	AR
		87*	AS
RL1251	Roller (Short) ..	{ 89*	AS
		91	AS
		87*	BS
RL1252	Retention Roller ..	{ 89	BS
		91*	BS
RL1261	Roller ..	31	AM