



MODEL 444 TELEPRINTER

GENERAL

This section of the manual contains the part numbers and names of those parts of the Model 444 Teleprinter which can be supplied as spares. For the identification of standard parts, such as screws and washers, reference should be made to Creed publication 'Parts List Supplement 1961-4E', at the rear of this Parts List.

The method of presenting the information in Creed's Parts List is constantly under review and customers suggestions for improvement will be carefully considered.

Creed policy is one of continuous improvement and the right is reserved to revise equipment specifications and published details without prior notice.

To ensure that correct parts are supplied it is essential that the following information is provided when replacement parts are ordered:—

1. Part Number
2. Part Name
3. Model Number } as shown on the
4. Serial Number } machine nameplate

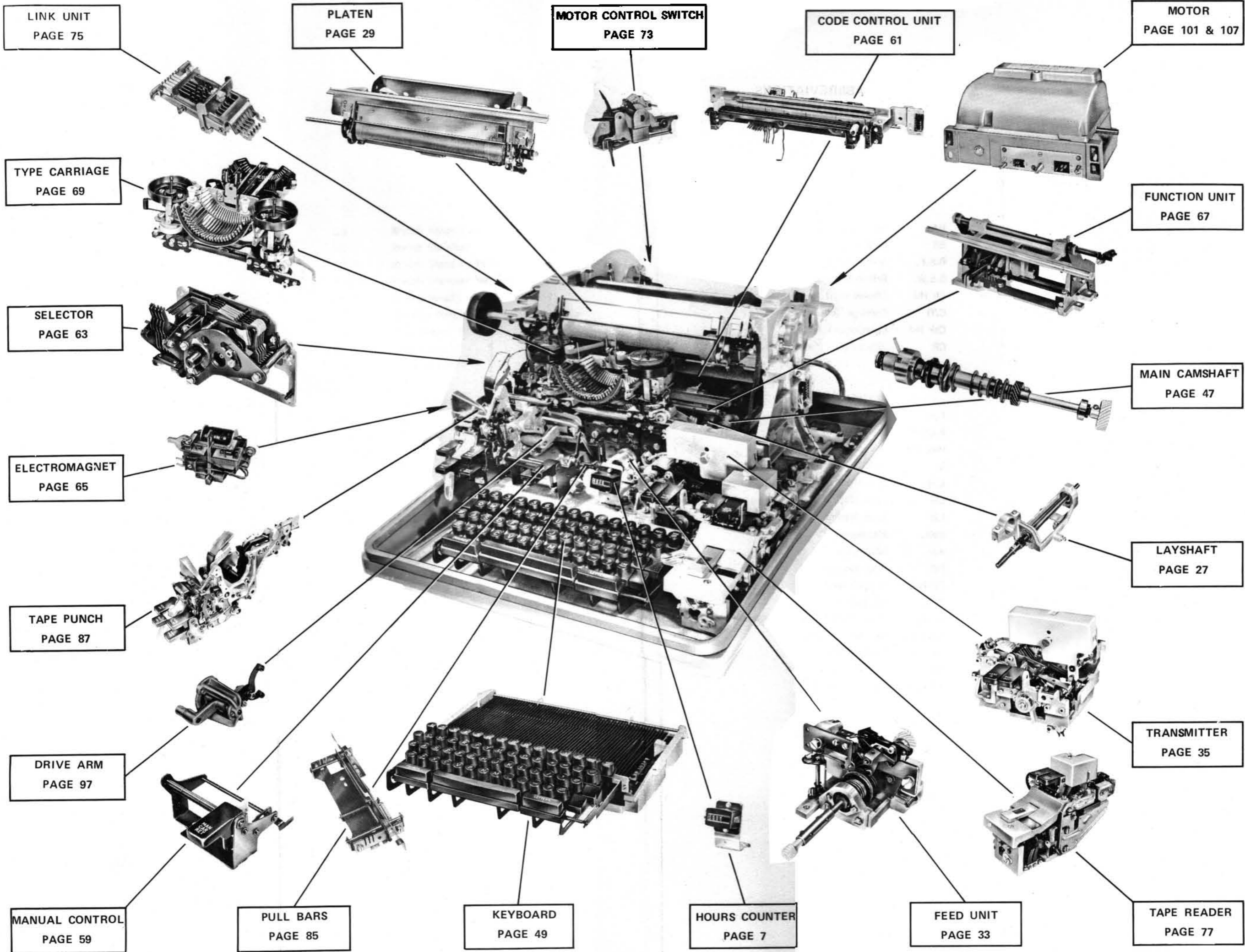
Note:

Parts of the keyboard, Code Control, Type Carriage and Link Units vary according to the code requirements of the machine.

The part numbers quoted against the variable items of these units apply only to the British Post Office Telex machines. Customers with machines other than these must quote the part name, model number and serial number to enable the technical order editing department to identify the part required.

ABBREVIATIONS

BA	British Association
BS	British Standard
B.S.F.	British Standard Fine
B.S.W.	British Standard Whitworth
Ch Hd	Cheese Head
C/R	Carriage Return
Csk Hd	Countersunk Head
CP	The letters CP after some of the part names are an abbreviation of the words 'complete part' which is an assembly of two or more smaller parts.
Dia.	Diameter
E.O.L.I.	End-of-line Indicator
Hex Hd	Hexagon Head
in.	Inch
L.H.	Left-hand
LN	Lock Nut
LW	Lock Washer
max.	Maximum
mm	Millimetre
PW	Plain Washer
Rd Hd	Round Head
R.H.	Right-hand
R.I.S.	Radio Interference Suppression
rev/min.	Revolutions per minute
Slit Hd	Slotted Head
SW	Spring Washer
WRU?	Who Are You?



PICTORIAL INDEX AND 'S' NUMBER NOTATIONS

The illustration on the facing pages shows the shape and relative size of the units and main assemblies that make up a basic Model 444 Teleprinter and where possible indicates their approximate location on the machine. The illustration also acts as a pictorial index to the Parts List which follows, each box in the legend contains a reference to the page on which the parts breakdown of that particular unit begins.

Each complete unit and main assembly has been allocated a general four figure reference number with an 'S' prefix, which should, subject to the reservation made below, be quoted whenever a complete unit is required.

The part numbers of most components of a particular unit or assembly are made up from this four figure number (without the 'S' prefix), and another sequence of numbers, not generally more than three, which are assigned to that component alone. The two groups of numbers are separated by an oblique line thus:

**Governor Unit S4012 contains
Contact Arm 4012/7.**

A list of the 'S' numbers that are contained in the Parts List are given below.

S4209A Synchronous Motor Unit	S4412 Function Unit
S4214 Governed Motor Unit for a.c. supply	S4413 Type Carriage and Ribbon Unit
S4215 Governed Motor Unit for d.c. supply	S4414 Hours Counter Unit
S4401A Layshaft Unit	S4415D Dashpot Unit
S4402 Platen Unit	S4416B Motor Control Switch Unit
S4403 Feed Unit	S4417B Link Unit
S4404A Transmitter Unit	S4419A Tape Reader Unit
S4405B Main Camshaft Unit	S4420 Pull Bar Unit
S4406A Keyboard Unit	S4424B Machine Assembly
S4407A Cover Unit	S4425A Tape Punch Unit
S4408 Manual Control Unit	S4426C Signal Cableform CP
S4409 Code Control Unit	S4429A Lectern Plate Assembly
S4410 Selector Unit	S4455A R.I.S. Unit
S4411A Electromagnet Unit	

As variations to the basic units and assemblies listed above are introduced for special applications, they will be identified by adding another single letter prefix in alphabetical sequence to the basic unit 'S' number, thus:

the basic Model 444 Cover Unit is S4407A

the first variation to this unit will be AS4407A

the second variation BS4407A, and so on.

7.1

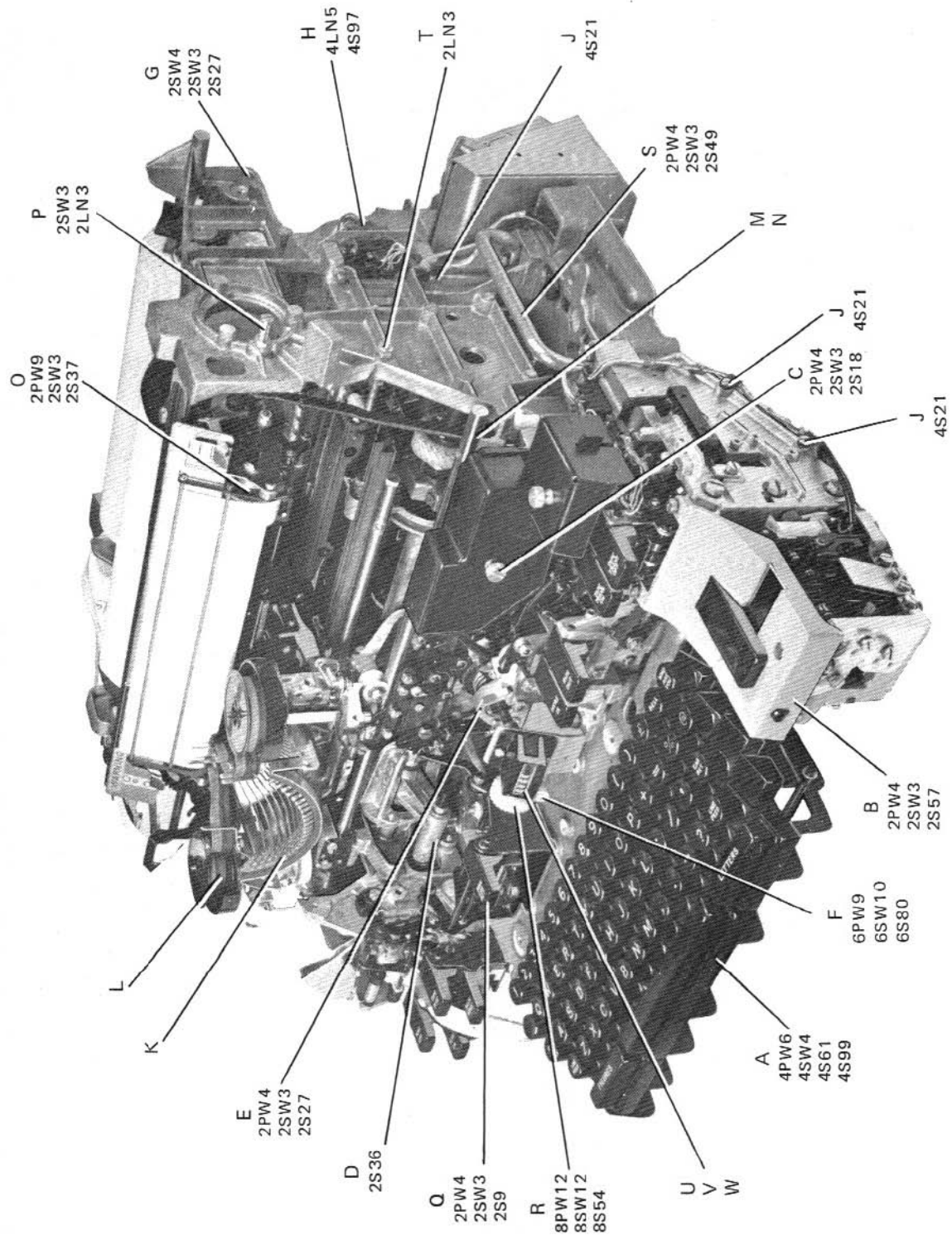


Fig. 7.1 MACHINE ASSEMBLY (FRONT VIEW)

MACHINE ASSEMBLY S4424B

Index Letter	Part No.	Part Name	
A	S4406A	KEYBOARD UNIT	See Page 49
B	S4419A	TAPE READER UNIT	See Page 77
C	S4404	TRANSMITTER UNIT	See Page 35
D	4425/140A	DRIVE ARM ASSEMBLY	See Page 97
E	S4403	FEED UNIT	See Page 33
F	4403/70A	Counter Pinion (50 Baud)	
	4428/3A	Counter Pinion (75 Baud)	
G	4424/12	R.H. Side Frame CP	
H	4400/80	Socket Mounting Plate	
J	BO4063A/1	Cable Clip (3 per assembly)	
K	S4413	TYPE CARRIAGE AND RIBBON UNIT	See Page 69
L	BO2633/2	Ink Ribbon (Red and Black)	
M	4424/1	Type Carriage Support Bar	
N	4424/2	Special Screw	
O	S4402	PLATEN UNIT	See Page 29
P	4424/21	Special Screw (2 per assembly) for Bail Shaft	
Q	S4408	MANUAL CONTROL UNIT	See Page 59
R	4414/4A	Counter Gear (50 Baud)	
	4414/5	Counter Gear (75 Baud)	
S	4424/57	R.H. Lifting Handle	
T	4424/56	Special Screw (Typecarriage overtravel Stop)	
	S4414	Hours Counter Unit includes:	
U	4414/1	- Counter Bracket	
V	BO6903	- Hours Counter	
W	4414/3	- Nut Plate	

Machine Serial Number must be stated when ordering Spare Parts

7.2

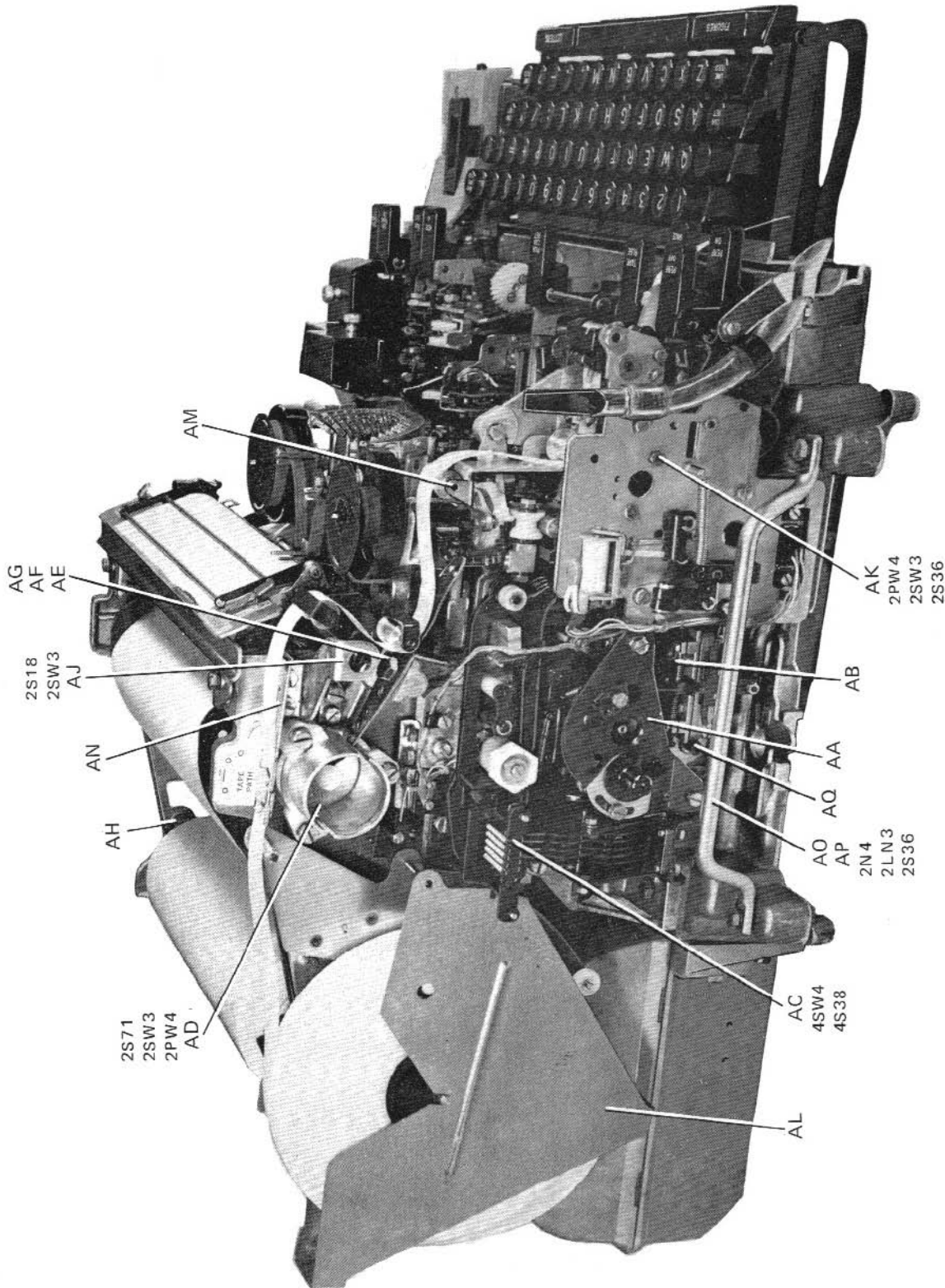


Fig. 7.2 MACHINE ASSEMBLY (L.H. SIDE)

MACHINE ASSEMBLY (Continued)

Index Letter	Part No.	Part Name	
AA	S4410	SELECTOR UNIT	See Page 63
AB	S4411A	ELECTROMAGNET UNIT	See Page 65
AC	S4417A	LINK UNIT	See Page 75
AD	S4415D	DASHPOT CP	See Page 25
AE	4422/16A	Dashpot Lever	
AF	4422/18	Special Washer	
AG	4422/17	Dashpot Lever Pivot	
AH	4422/7	Paper Roll Holder (2 per machine)	
AJ	4422/44	Platen Spindle Bracket	
AK	S4425A	TAPE PUNCH UNIT	See Page 87
AL	4425/568	Tape Reel Assembly	
AM	4425/393	Snatch Roller Assembly	
AN	4425/413	Tape Guide CP	
AO	4424/53A	L.H. Lifting Handle	
AP	4424/88	Tab Washer	
AQ	4450/2	Special Nut (for securing Electromagnet Unit to Selector Unit)	

7.3

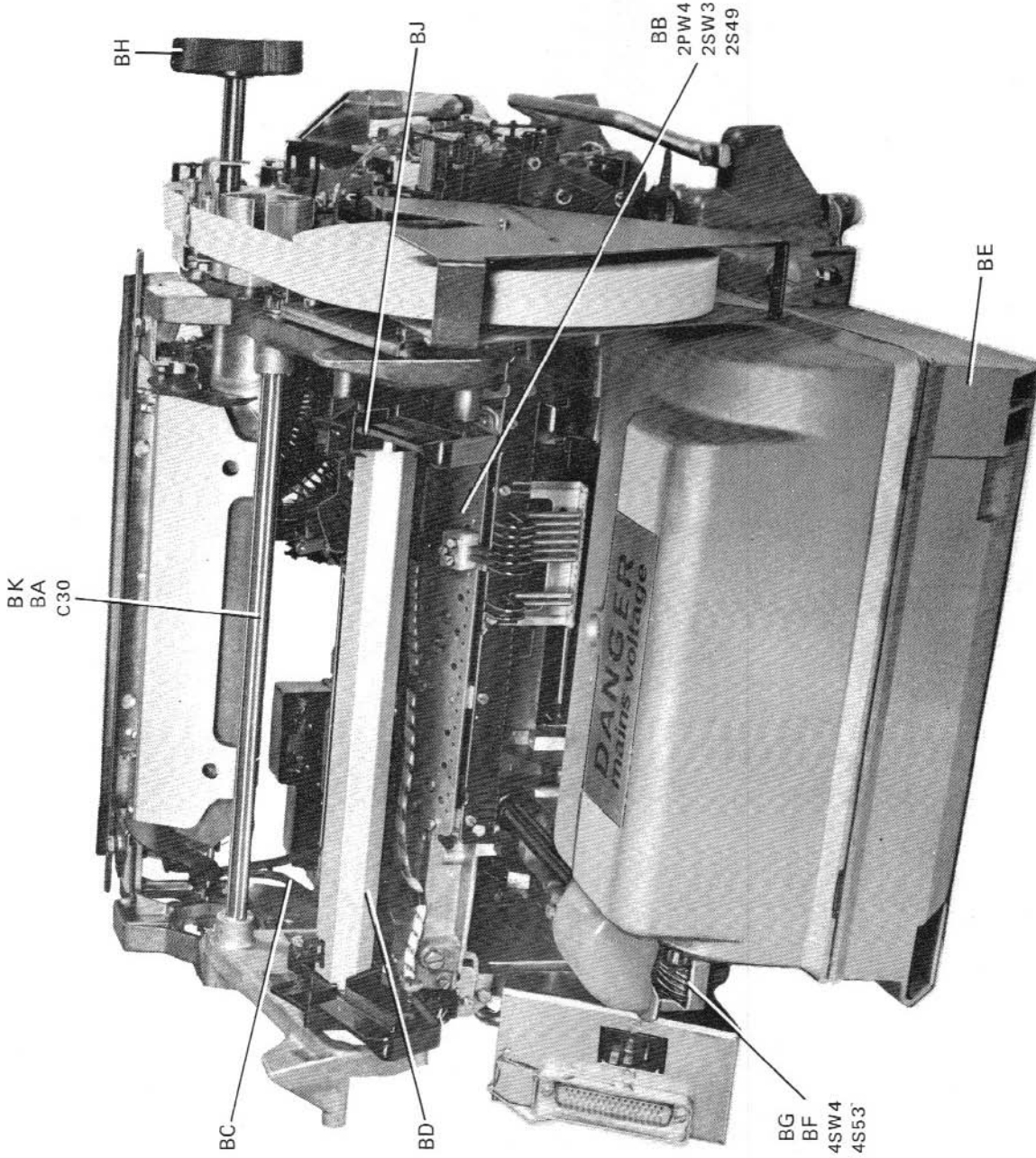


Fig. 7.3 MACHINE ASSEMBLY (REAR VIEW)

MACHINE ASSEMBLY (Continued)

Index Letter	Part No.	Part Name	
BA	4424/4A	Tie Rod	
BB	S4409	CODE CONTROL UNIT	See Page 61
BC	4400/95A	Line Feed Link	
BD	4424/35A	Paper Roll Bar Assembly	
BE	S4214	GOVERNED MOTOR UNIT	See Page 107
	or	SYNCHRONOUS MOTOR UNIT	See Page 101
BF	4418/2	Motor Pinion (50 Baud 50Hz)	} for use with Governed Motor Unit
or	4418/4	Motor Pinion (75 Baud 50Hz)	
or	4418/3	Motor Pinion (50 Baud 50Hz)	} for use with Synchronous Motor Unit
or	4418/5	Motor Pinion (75 Baud 60Hz)	
or	4418/42	Motor Pinion (50 Baud 60Hz)	
BG	4401/1	Motor Gear Guard	
BH	4402/92	Platen Knob CP	
BJ	4422/7	Paper Roll Holder (2 per assembly)	
BK	PN5005	Hex Hd Nut (1/4" BSF) 2 per assembly	

Machine Serial Number must be stated when ordering Spare Parts

7.4

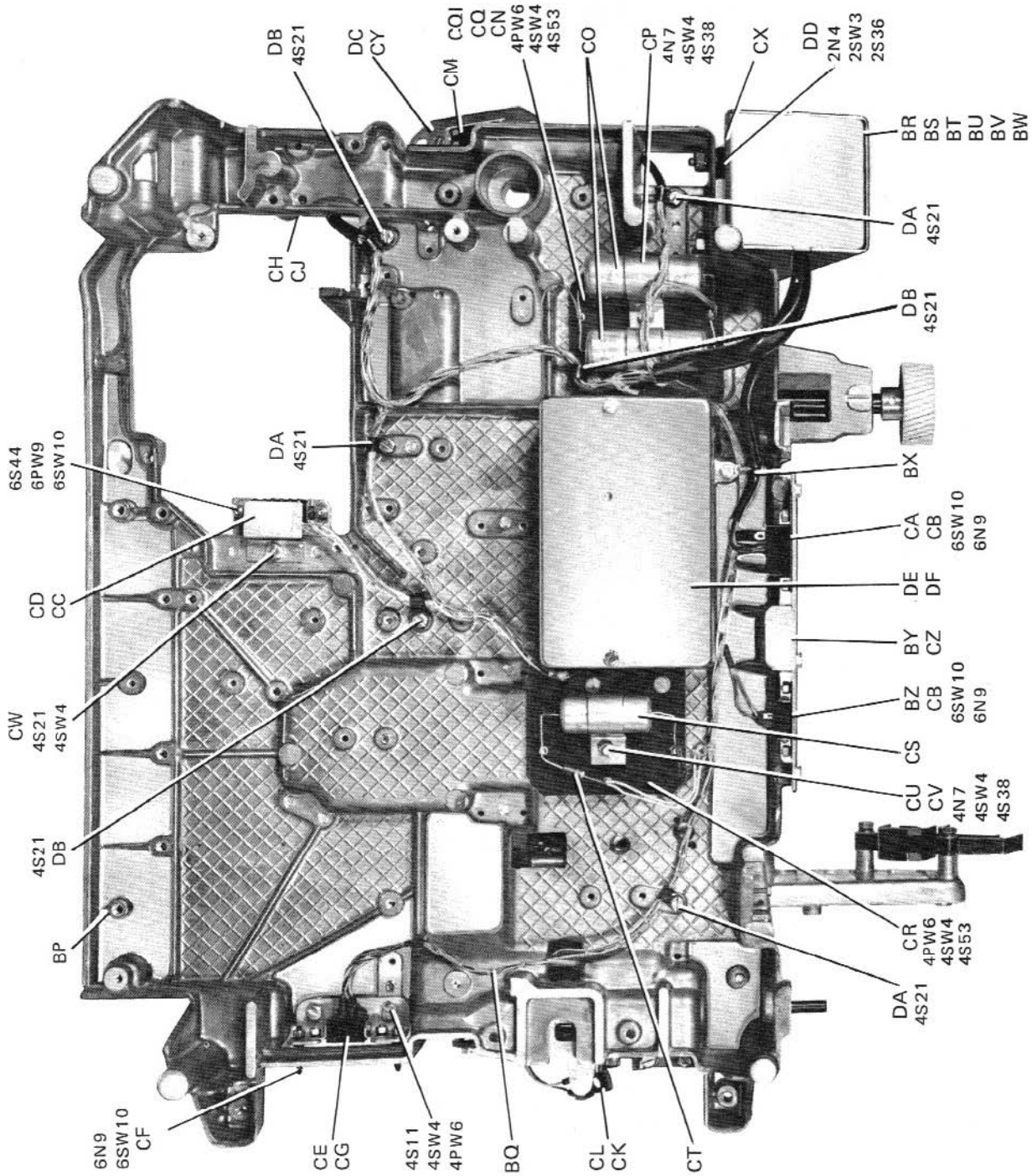


Fig. 7.4 MAIN BASE (UNDERSIDE)

MACHINE ASSEMBLY (Continued)

Index Letter	Part No.	Part Name	Index Letter	Part No.	Part Name
BP	4400/115	Main Base CP (for m/cs with Motor Control Switch)	CK	BO 4649/2	- 2 way Socket (Painton Series 159-Special)
or	4400/79B	Main Base CP	CL	4206/33	- Locating Spring
BQ	S4426C	Signal Cableform CP includes:	CM	BO 7645/2	- 8-way Socket (Painton Series 159-Special)
	4426/16C	- Signal Cableform CP		4426/28	- Capacitor Support Plate Final CP includes:
BR	4426/26	- Double Plug Plate CP includes:	CN	4426/29	- Capacitor Support Plate CP
BS	4426/27	- Double Plug Plate	CO	BO5201/15	- Capacitor (2.0µF 200V d.c.) 2 per CP
BT	BO7635/14	- 50-way Plug	CP	4426/30	- Capacitor Clamp
BU	BO7646/2	- 4-way Plug	CQ	4426/32	- Capacitor Insulator
BV	BO7635/36	- Base Assembly	CQI	PW5560	- Washer.
BW	4426/36	- Resistor Support Plate CP		4426/33	- Capacitor and Resistor Support Plate CP includes:
BX	4426/38	- Resistor Insulator	CR	4426/34	- Capacitor and Resistor Support Plate CP
	4426/8A	- Mains Cableform CP	CS	BO5201/12	- Capacitor (1.0µF 200V d.c.)
	4426/11	- Motor Socket Mounting Plate CP includes:	CT	BO3326/103	- Resistor (1.2k ± 10% ¼w)
BY	4209/12A	- Socket Mounting Plate	CU	4426/32	- Capacitor Insulator
BZ	BO7644/2	- 4-way Socket (Painton Series 159-Special)	CV	BO4063A/8	- Capacitor Clamp
CA	BO7602/5	- 6-way Socket		BO3549/10	- Resistor (3.7k) not shown fitted in 50-way Plug Box
CB	PS8630	- Pozidriv Screw (6BA x ¼in.) 4 per CP	CW	4400/89	Cable Shield
	4426/12	- Transmitter Socket Mounting Plate CP includes:	CX	4424/70	Mounting Bracket
CC	4426/3	- Socket Mounting Plate	CY	4400/80	Socket Mounting Plate
CD	BO7610/2	- 12-way Socket (Painton Series 159-Special)	CZ	PS7158	Special Shouldered Screw (3 per assembly)
CE	4426/2	- Punch Unit Socket Bracket CP includes:	DA	BO4063A/1	Cable Clip (3 per assembly)
CF	4426/1	- Location Dowel (2 per CP)	DB	BO4063A/2	Cable Clip (4 per assembly)
CG	BO7644/2	- 4-way Socket (Painton Series 159-Special)	DC	PS8630	Screw Posidriv (6BA x ¼in.) } 2 off each per assembly
	4426/13	- Tape Reader Socket Mounting Plate CP includes:	DD	PW5429	Special Washer
CH	4426/15	- Socket Mounting Plate	DE	S4455A	R.I.S. Unit CP includes:
CJ	BO7610/2	- 12-way Socket (Painton Series 159-Special)	DF	4465/11	- R.I.S. Box CP
				BO3549/21	- Resistor 220ohm 3W

Machine Serial Number must be stated when ordering Spare Parts

7.5

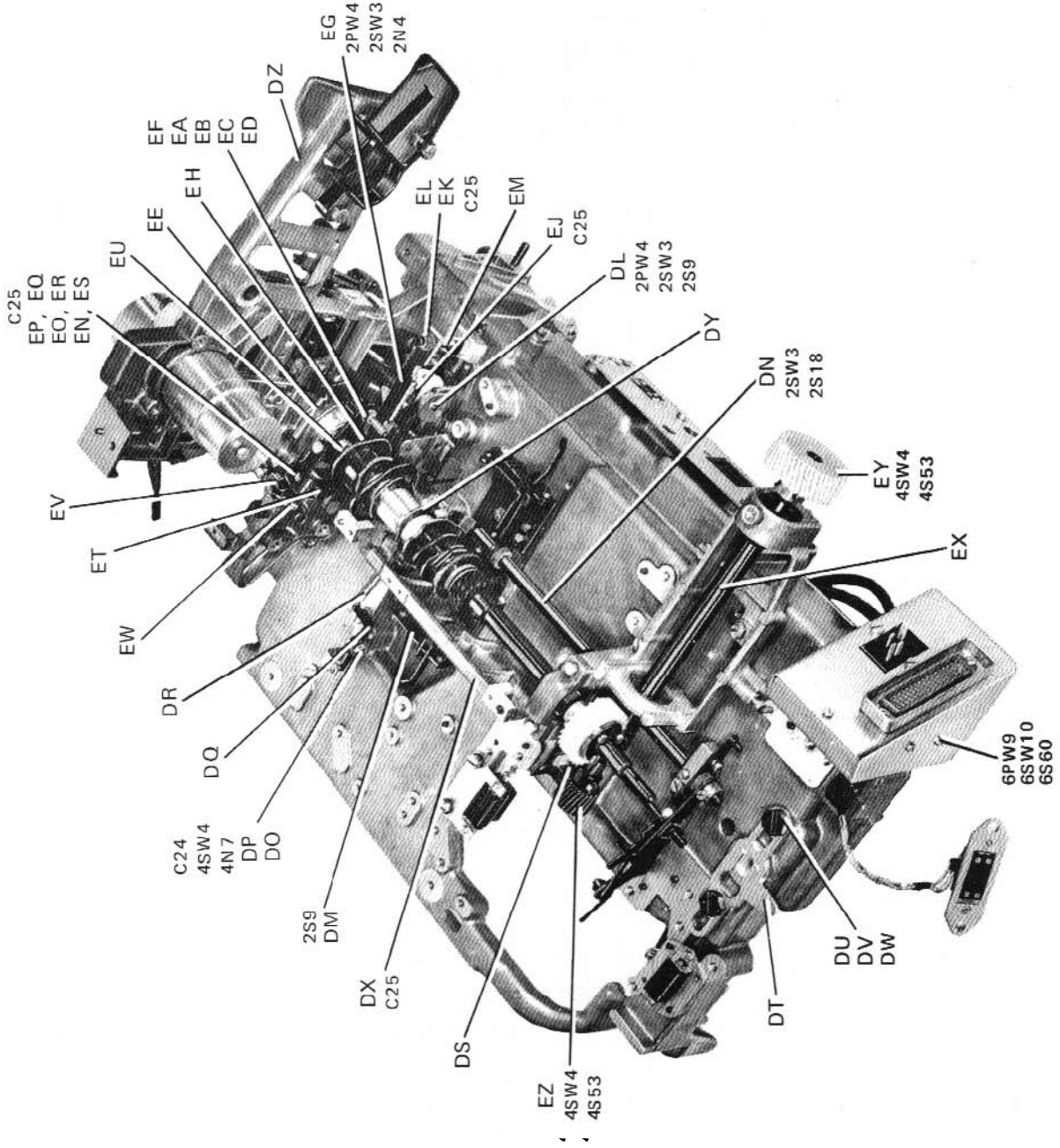


Fig. 7.5 MACHINE ASSEMBLY (MAIN CAMSHAFT AND L.H. SIDE FRAME)

MACHINE ASSEMBLY (Continued)

Index Letter	Part No.	Part Name	Index Letter	Part No.	Part Name
DL	S4416B	MOTOR CONTROL SWITCH UNIT	EH	4422/33	- Roller
DM	S4420	PULL BAR ASSEMBLY	EJ	4404/85	- Felt Washer
DN	4400/93A	TWO COLOUR PRINT AND LINE FEED ASSEMBLY	EK	4422/32A	- Pivot Pin
DO	4400/82	Print Spring Anchor Assembly includes:	EL	4412/24	- Felt Washer
DP	4400/73	- Spring Anchor Bracket	EM	PG5217	- Torsion Spring
DQ	4400/66	- Spring Anchor Pivot	CLUTCH DETENT LEVER		
DR	4400/69	- Spring Anchor Lever	4422/10A	Clutch Detent Lever CP includes:	
DS	PG7711	Tension Spring	4422/19B	- Clutch Detent Lever	
DT	4400/83	Stop Screw (W/R U? trip)	EO	4422/43	- Clutch Stop Pin
DU	4400/58	Lock Plate (2 per CP)	EP	PW5491	- Special Washer (4 per CP)
DV	4400/57	Bowed Spring Washer	EQ	4422/11	- Roller Pivot
DW	4400/56	Special Shouldered Bolt	ER	4412/46	- Cam Roller
DX	4400/92A	PRINT BEAM CASTING CP	ES	4422/14	- Felt Pad
DY	S4405B	MAIN CAMSHAFT UNIT	ET	4422/12	Clutch Detent Lever Pivot Pin
DZ	4422/8	L.H. Side Frame	EU	4422/15	Felt Washer (8 per assembly)
or	4422/41	L.H. Side Frame (for machines with Paper Low)	EV	4422/13	Detent Lever Guide
or	4422/46	L.H. Side Frame (for machines with Motor Control Switch)	EW	PG7765	Tension Spring
			EX	S4401A	LAYSIAFT UNIT
					See Page 27
			MOTOR GEARS		
			EY	4418/14A	Motor Gear CP (50 Baud) } for use with a.c. Governed
			or	4418/18	Motor Gear CP (75 Baud) } Motor 3750 rev/min. 50Hz
			or	4418/16A	Motor Gear CP (50 Baud) } for use with d.c. Synchronous Motor
			or	4418/21	Motor Gear CP (75 Baud) } and a.c. Governed Motor 3000 rev./min 60Hz
			or	4418/43	Motor Gear CP (50 Baud) } Synchronous Motor
			or	4418/39	Motor Gear CP (75 Baud) } 3600 rev/min
			EZ	4418/6	Transmitter Pinion
				4416/15	Starter Switch Bracket
				4416/16	Starter Switch Lever
				4416/14	Parallel Pin
					not shown
			STORAGE LATCH RESET		
			EA	4422/36	Storage Latch Reset CP includes:
			EB	4422/21	- Latch Reset Sub CP
			EC	4422/27A	- Eccentric Roller Pivot
			ED	4422/33	- Roller
			EE	4422/25A	Latch Reset Pivot Pin
			EF	PG7709	Tension Spring
				4424/41	Felt Washer (2 per assembly)
			CODE READ LEVER		
			EG	4422/34A	Code Read Lever Assembly includes:
				4422/31	- Code Read Lever CP

Machine Serial Number must be stated when ordering Spare Parts

7.6

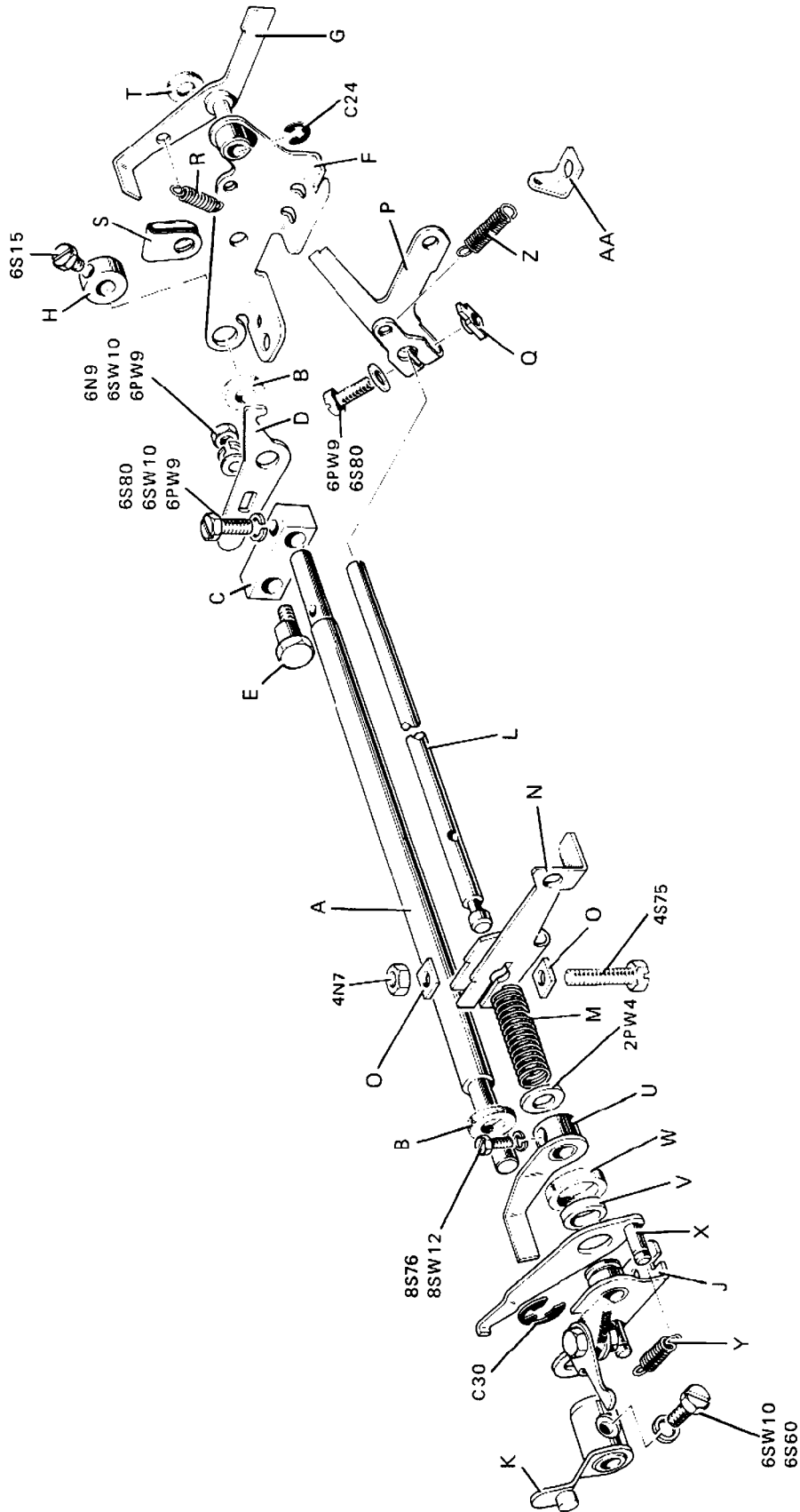


Fig. 7.6 TWO COLOUR AND LINE FEED ASSEMBLY

MACHINE ASSEMBLY (Continued)

Index Letter	Part No.	Part Name
		TWO COLOUR PRINT AND LINE FEED ASSEMBLY
	4400/93A	Two Colour Print and Line Feed Assembly <i>includes:</i>
A	4400/21	- Line Feed Shaft
B	4400/27	- Felt Washer (2 per assembly)
C	4400/25A	- Clamp
D	4400/24A	- Line Feed Link Lever CP
E	4400/31	- Eccentric
F	4400/55	- Support Bracket and Trip Lever CP
G	4400/45B	- Support Bracket CP
H	4400/43	- Trip Lever CP
I	4400/26	- Set Collar
J	4400/47	- Bearing Bracket Assembly
K	4400/20	- Line Feed Lever CP
L	4400/35	- Shaft
M	FG5191	- Compression Spring
N	4400/113	- Answer Back Release Arm
O	4400/110	- Clamp Plate (2 per CP)
P	4400/39B	- Two Colour Print Lever
Q	4419/64A	- Special Nut
R	PG7701A	- Tension Spring
S	4400/46	- Felt Retainer
T	4412/24	- Felt Washer
U	4400/32	- Follower Lever CP
V	4400/29	- Spacing Collar
W	4400/30	- Felt Washer
X	4400/28B	- Retention Lever CP
Y	PG7700	- Tension Spring
Z	PG7702A	- Tension Spring
AA	4424/60	Spring Anchor

Machine Serial Number must be stated when ordering Spare Parts

7.7

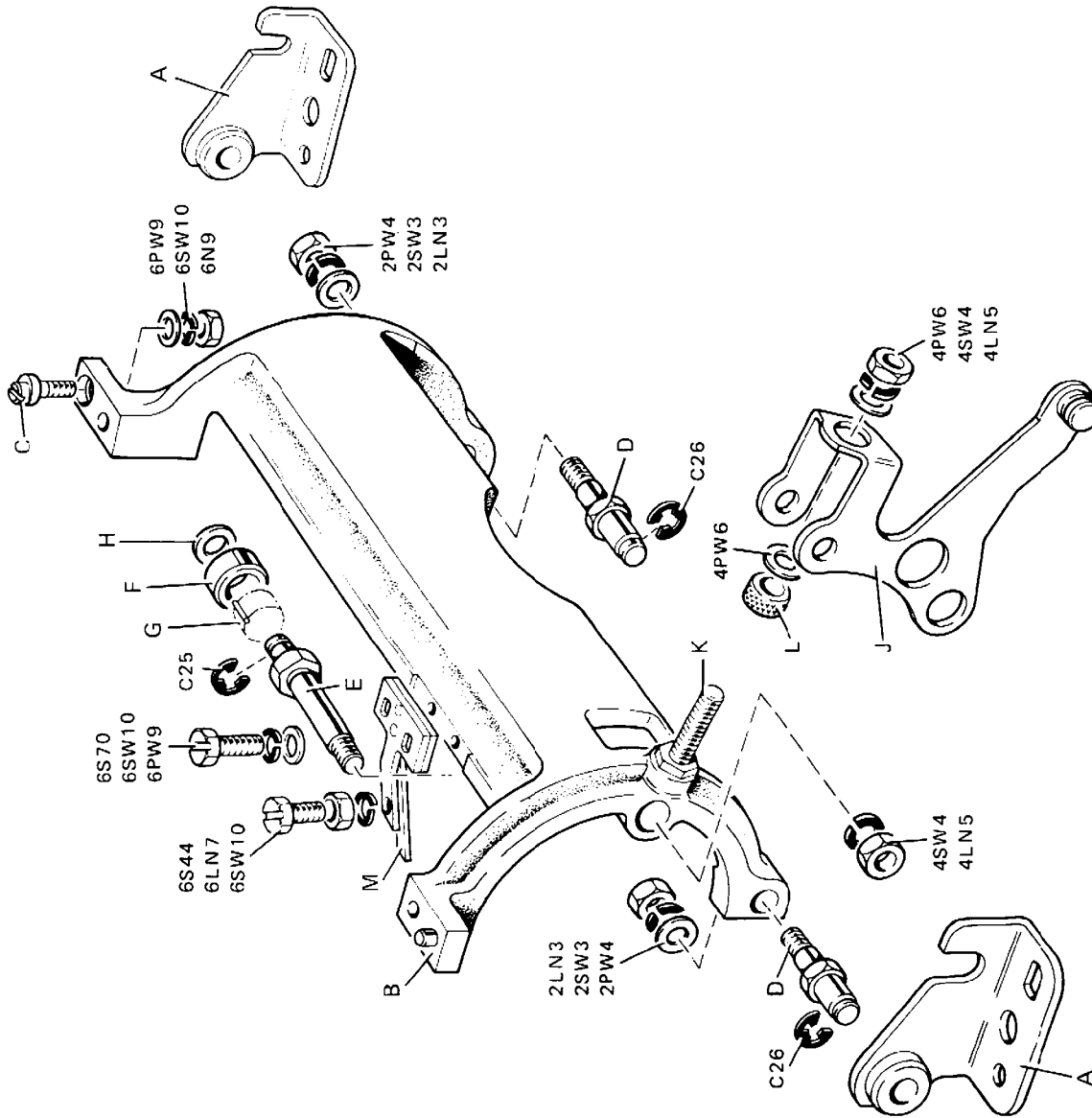


Fig. 7.7 PRINT BAIL ASSEMBLY

MACHINE ASSEMBLY (Continued)

Index Letter	Part No.	Part Name
A	4400/68	Pivot Bracket CP (2 per assembly)
PRINT BEAM CASTING		
B	4400/92A	Print Bail Assembly includes:
C	4400/77	- Print Beam Casting CP
D	4400/63	- Eccentric Adjustment Screw
E	4400/71	- Pivot Pin (2 per CP)
F	4400/81	- Roller Assembly includes:
G	4400/72A	-- Roller Pivot
H	4412/42A	-- Cam Roller
I	BO8582/2	-- Needle Roller (17 per set)
J	4412/44	-- Retaining Washer
K	4400/75	- Roller Adjusting Bracket CP
L	4400/67	- Adjustment Screw
M	4400/76	- Knurled Nut
	4424/103	Print Suppression Member CP

Machine Serial Number must be stated when ordering Spare Parts

7.8

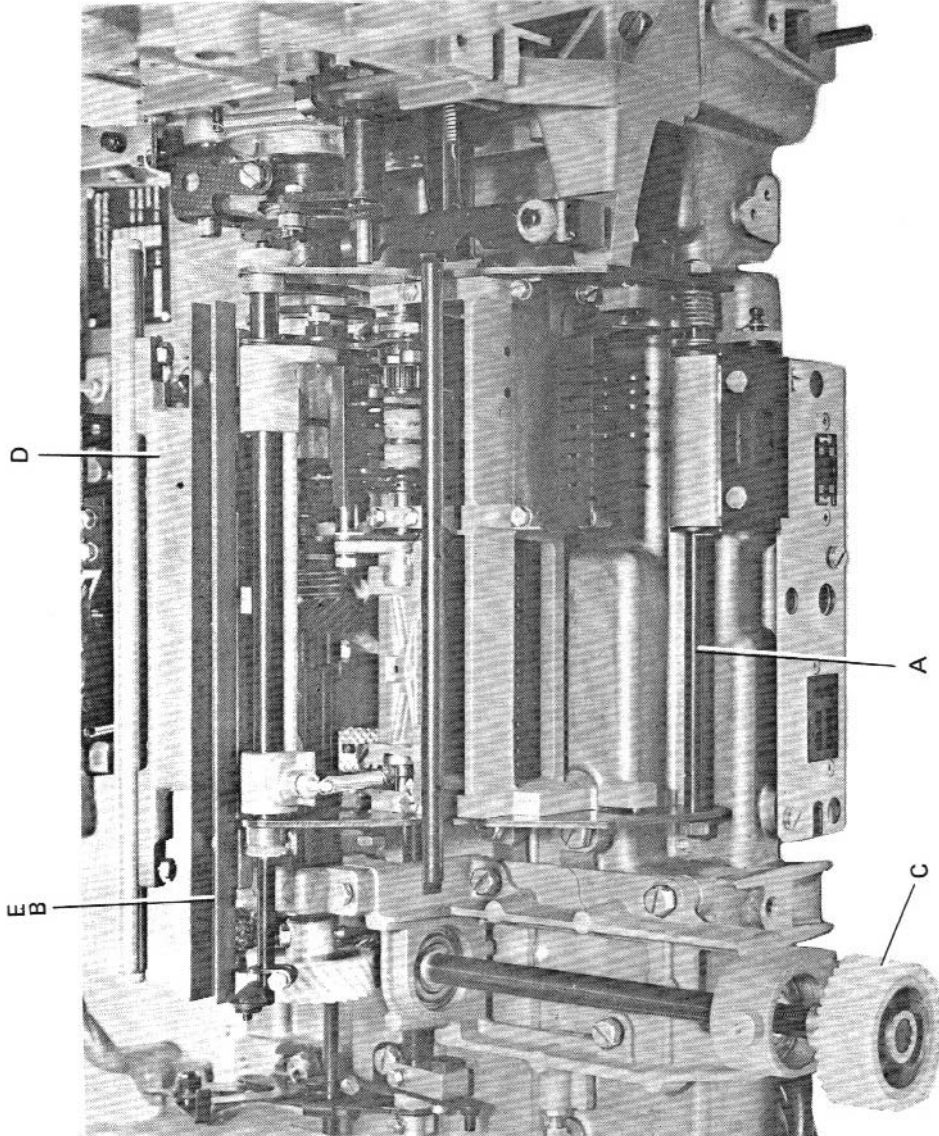


Fig. 7.8 FUNCTION UNIT AND PRINT CHANNEL

MACHINE ASSEMBLY (Continued)

Index Letter	Part No.	Part Name
A	S4412	FUNCTION UNIT
B	4424/5A	Print Channel
C	S4401A	Layshaft Unit
D	4400/92A	Print Beam Casting
E	4424/7	Special Screw (2 per assembly)

See Page 67

7.9 7.10

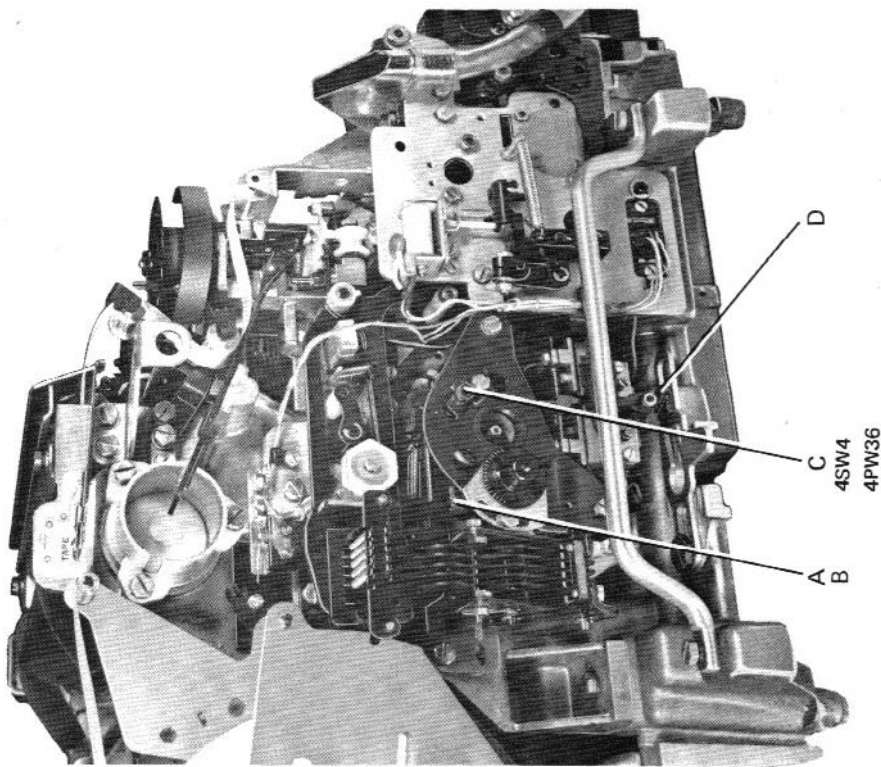


Fig. 7.9 L.H. SIDE FRAME

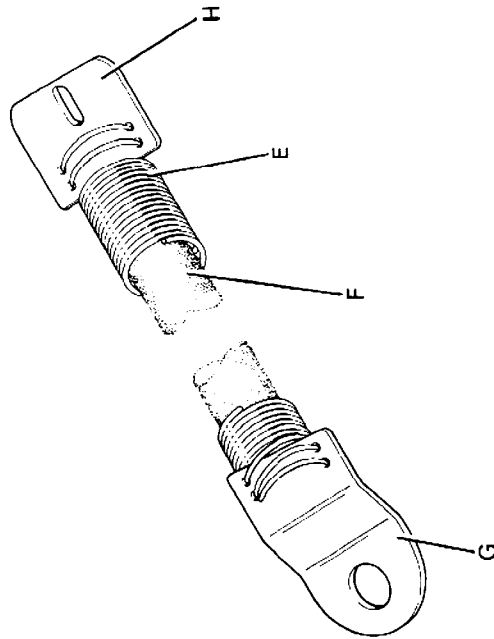


Fig. 7.10 CARRIAGE RETURN SPRING

MACHINE ASSEMBLY (Continued)

Index Letter	Part No.	Part Name
A	4410/11	Special Screw (2 per assembly)
B	4422/38	Felt Lubricator
C	4450/2	Special Nut (2 per assembly)
	4422/4	Adjustment Washer (not shown)
D	4400/56	Latch Screw
	4424/67	Carriage Return Spring CP includes:
E	PG7766B	- Tension Spring
F	4415/10	- Anti-Surge Felt
G	4424/65	- L.H. Spring Anchor Plate
H	4424/66A	- R.H. Spring Anchor Plate

Machine Serial Number must be stated when ordering Spare Parts

7.11 7.12

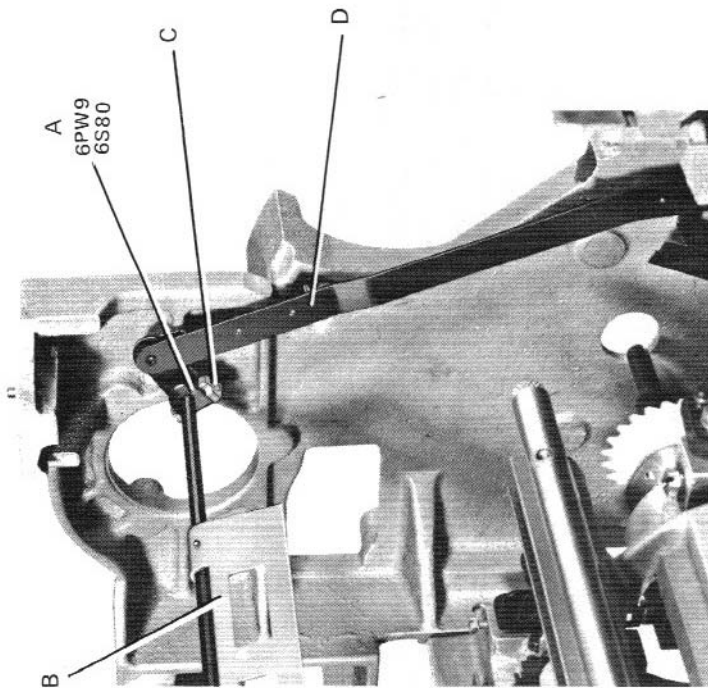


Fig. 7.11 BAIL LEVER AND SHAFT

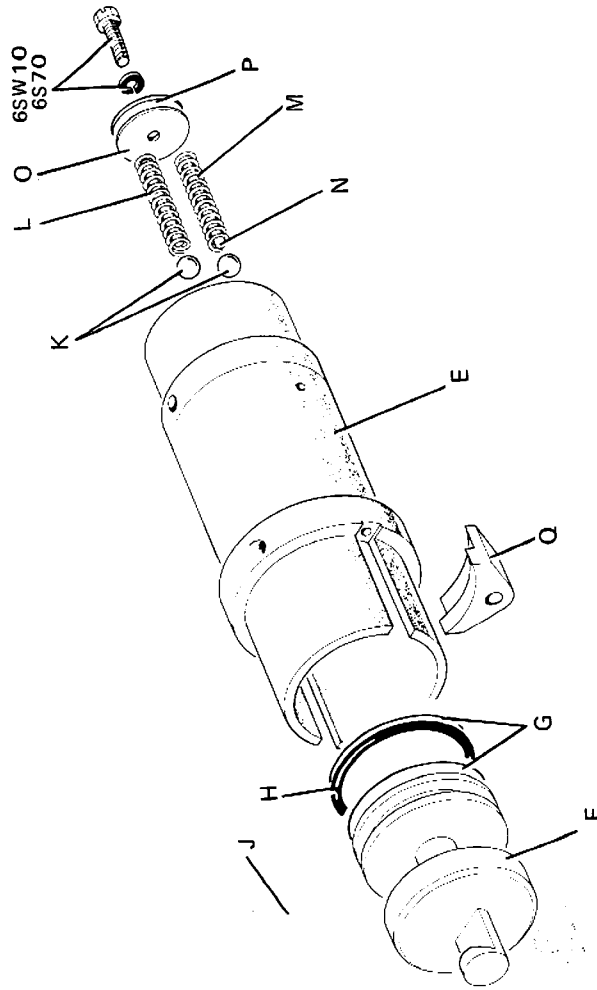


Fig. 7.12 DASHPOT CP

MACHINE ASSEMBLY (Continued)

Index Letter	Part No.	Part Name	Index Letter	Part No.	Part Name
A	4424/14A	Bail Lever	E	S4415D	Dashboard CP includes:
B	4424/20	Bail and Shaft CP	F	4415/16A	- Dashboard Cy. inder CP
C	4419/64A	Special Nut	G	4415/27	- Dashboard Piston Assembly comprises:
D	4424/24	Connecting Arm Assembly	H	4415/25A	- Shim (4 per assembly)
			I	BO8110/11	- O' Ring
			J	4415/RA	- Lubricating Felt
			K	BO8581/5	- Valve Ball (2 per CP)
			L	PG5221A	- Compression Spring
			M	PG5222A	- Compression Spring
			N	4415/24	- Stop Pin (2 per assembly)
			O	4415/26	- Gasket
			P	4415/21	- Retaining Washer
			Q	4415/22	Dashboard Clamp (3 per assembly)

Machine Serial Number must be stated when ordering Spare Parts

7.13

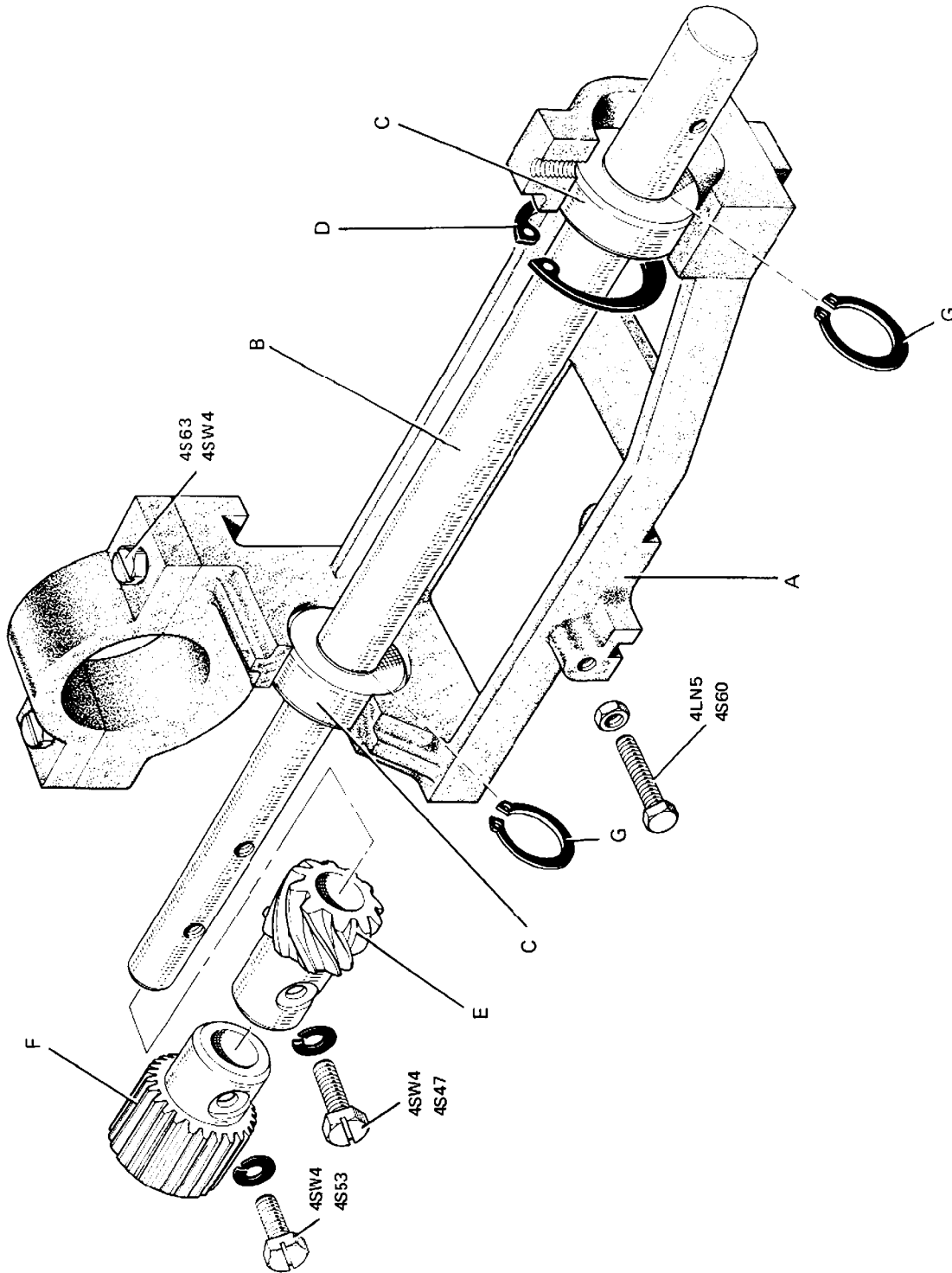


Fig. 7.13 LAYSHAFT UNIT

LAYSHAFT UNIT S4401A

Index Letter	Part No.	Part Name
A	4401/4C	Layshaft Bearing Casting CP
B	4401/5B	-ayshaft
C	BO8403/3	Single Row Rigid Ball Journal Bearing (BS232-BR101) (2 per unit)
D	BO4084/3	Internal Circlip (2 per unit)
E	4418/1	Main Shaft Pinion
F	4418/6	Transmitter Pinion
G	BO8230/7	Circlip (Anderdon Type 1400) (2 per unit)

Machine Serial Number must be stated when ordering Spare Parts

PLATEN UNIT { **S4402** (Friction Feed)
AS4402C (Sprocket Feed)

Index Letter	Part No.	Part Name	Index Letter	Part No.	Part Name
		PLATEN UNIT SUB ASSEMBLY STAGE 1 { 4402/190 (for Friction Feed machines) 4402/164 (for Sprocket Feed machines)			PLATEN UNIT SUB ASSEMBLY STAGE 3 { 4402/88 (for Friction Feed machines) 4402/162A (for Sprocket Feed machines)
A	4402/81A	Platen Frame CP	AD	4402/163	Platen Unit Sub Assembly Stage 2 (for Friction Feed machines)
B	4402/68	Platen Frame Tie (fitted to Friction Feed machines)	AE	4402/154A	Paper Guide (for Friction Feed machines)
		Platen Frame Tie (fitted to Sprocket Feed machines)	AF	4402/79A	Pressure Roller Shaft CP
C	4402/20	Flanged Pin	AG	PG3334A	Torsion Spring (for Friction Feed machines)
D	4402/4A	Shouldered Pin	or	PG3460	Pressure Roller Spindle CP
E	4402/73A	Platen Main Shaft	AH	4402/66	Platen Pinton
F	4402/42A	Platen CP (fitted to Friction Feed machines)	AJ	4402/49A	Pressure Roller Lever CP
G	4402/63A	Platen Gear CP	AK	4403/30	Washer
H	4402/141	Fixing Bracket	AL	4402/48	Pressure Roller Key CP
J	4402/139	Nut Plate	AM	4402/21	Link
K	4402/143	Fixing Bracket (fitted to Friction Feed machines)	AN	PG7695A	Tension Spring
		} 2 off each per assembly			
		PLATEN UNIT SUB ASSEMBLY STAGE 2 { 4402/163 (for Friction Feed machines) 4402/163 (for Sprocket Feed machines)			PLATEN UNIT FINAL ASSEMBLY
L	4402/90	Platen Unit Sub Assembly Stage 1 (for Friction Feed machines)	AO	4402/162A	Platen Unit Sub Assembly Stage 3 (for Friction Feed machines)
M	4402/164	Platen Unit Sub Assembly Stage 1 (for Sprocket Feed machines)	AP	PS8630	Platen Unit Sub Assembly Stage 3 (for Sprocket Feed machines)
N	4402/14	Jockey Lever	or	4402/70C	Posidriv Screw 6BA x 1/4in. (2 per unit)
		Masking Lever	AQ	4402/155A	Tear Off Plate CP (for Friction Feed machines)
O	4402/78	Shim	AR	4402/101A	Tear Off Plate CP (for Sprocket Feed machines)
P	4402/105	Ratchet Lever Assembly includes:	AS	4402/100A	L.H. Guide Arm CP
Q	4402/16	- Ratchet Lever CP	or	4402/103A	R.H. Guide Arm CP
R	4402/8	- Platen Feed Pawl	AT	4402/170	Paper Guide Wire (for Friction Feed machines)
S	4402/9	- Flanged Pin	AU	4402/104	Pivot Screw (2 off each per unit)
T	PG3335	- Torsion Spring	AV	PG3453	L.H. Torsion Spring
U	4402/106	- Spring Anchor	AW	PG3452	R.H. Torsion Spring
V	4402/80	Collar	AX	4402/29	L.H. Paper Guide
W	4402/17A	Ratchet Wheel CP	AY	4402/28	R.H. Paper Guide
X	4402/12	Shouldered Pin		4402/75	Paper Jockey
Y	4402/86	Retaining Lever CP includes:			
Z	4402/10	- Retaining Lever			
AA	4402/11	- Special Parallel Pin			
AB	4402/15	Eccentric			
AC	4402/188	Line Space Change Lever CP			
	PG7698	Tension Spring			
	PG7697	Tension Spring			
	PG7696	Tension Spring			

Machine Serial Number must be stated when ordering Spare Parts

PLATEN UNIT (Continued)

Index Letter	Part No.	Part Name
<i>The following Parts are fitted to a machine with the Paper Low facility.</i>		
	4424/73A	Paper Low Assembly includes:
A	4424/74	- Plate
B	4424/99	- Paper Low Arm and Roller CP includes:
C	4424/75	-- Paper Low Arm CP
D	4425/142A	-- Roller
E	4424/77	- Switch Lever
F	4424/78	- Pivot Pin
G	4424/79	- Spring Anchor
H	4424/80	- Latch Lever
I	4424/81	- Pivot Pin (2 per assembly)
J	4424/82	- Spacer
K	4424/85	- Switch Spacer (2 per assembly)
L	4419/116	- Switch Clamp Plate
M	PG 7755	- Tension Spring
N	PG 7832	- Tension Spring
O	PG 7833	- Tension Spring
P	4424/100	- Microswitch and Plug CP includes:
Q	BO 3993/1	-- Microswitch
R	BO 7649/1	-- 2-way Plug
	4010/492	- Microswitch Insulator

PLATEN UNIT (SPROCKET FEED) AS 4402C

Index Letter	Part No.	Part Name
A	4402/166	Platen CP includes:
B	4402/165	- Platen Tube CP
C	4402/161A	- Pin CP (18 per CP)
D	4402/157	- Cam (2 per CP)
E	PG 5227	- Tension Spring (18 per CP)
F	4402/156	Plunger Boss
G	4402/136	Clamp
H	4402/178	L.H. Lever
I	4402/173	L.H. Bracket CP
J	PG 3445	L.H. Torsion Spring
K	4402/179	R.H. Lever CP
L	4402/174	R.H. Bracket CP
M	PG 3444	R.H. Torsion Spring
N	BO 8230/5	Circlep
O	4402/180	Guide Wire Stop
P	PG 3459	R.H. Torsion Spring
Q	PG 3458	L.H. Torsion Spring
R	4402/170	Paper Guide Wire
S	4402/104	Pivot Screw (2 per unit)

Machine Serial Number must be stated when ordering Spare Parts

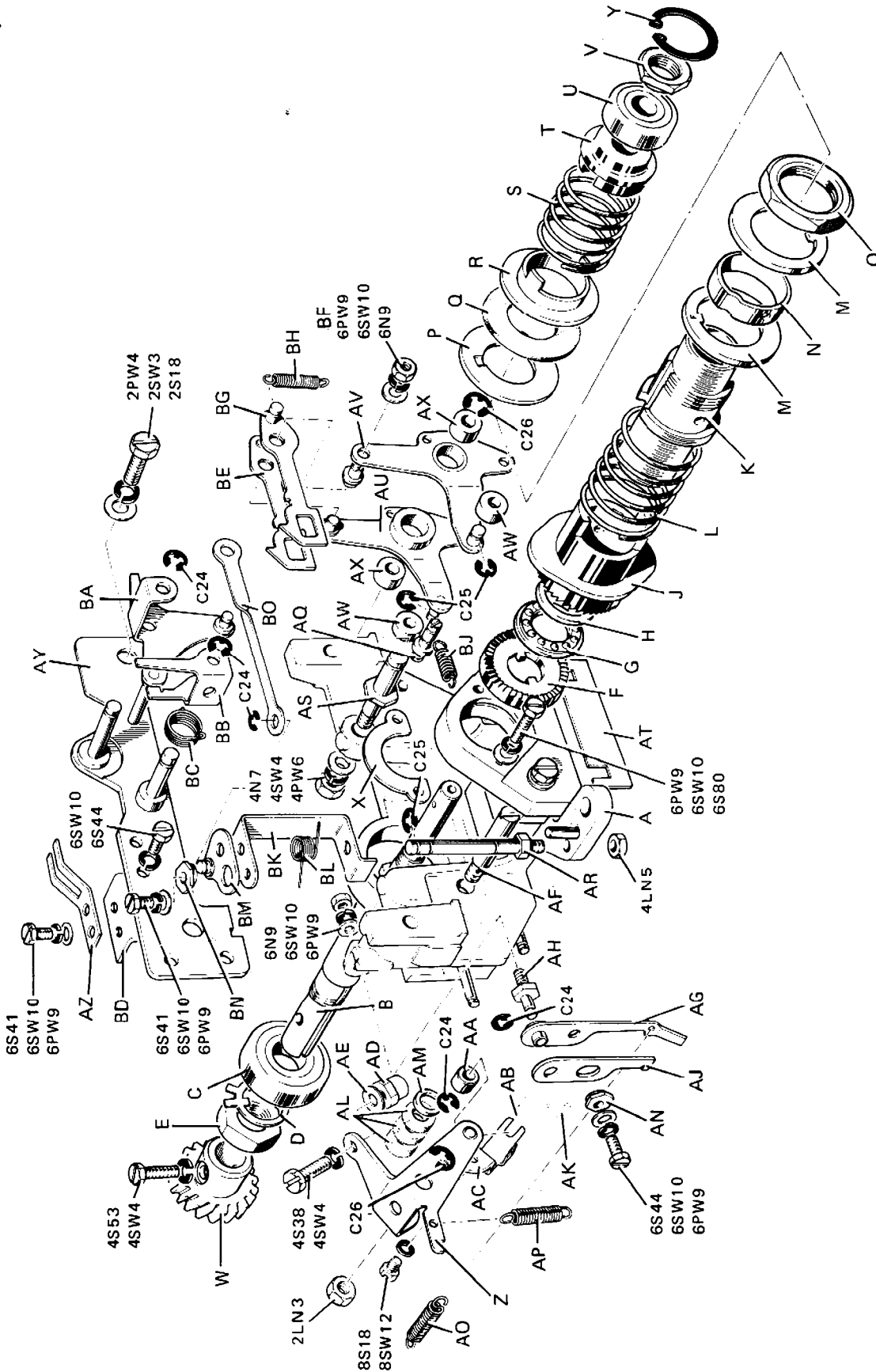


Fig. 7.17 FEED UNIT

FEED UNIT S4403

Index Letter	Part No.	Part Name	Part No.	Part Name	Index Letter
		UNIT CASTING AND CAMSHAFT			
	4403/65A	Feed Unit 1st Assembly <i>includes:</i>	4403/91	-- Feed Trip Lever CP	
A	4403/53D	- Feed Unit Casting Sub CP	4403/89	-- Eccentric	
	4403/8	- Camshaft CP <i>includes:</i>	4403/100	-- Feed Trip Latch	
B	4403/1	-- Camshaft	4419/166	-- Felt Washer	
C	BO8409/1	-- Single Row Rigid Ball Journal Bearing (BS292 Ref. BRE010)	4412/24	- Felt Lubrication (3 per assembly)	
D	4403/62	-- Locking Washer	4403/30	- Clutch Detent Thrust Washer	
E	4405/13	-- Bearing Clamp Nut	4403/42	- Eccentric Adjuster	
F	4403/4A	-- Clutch Coupling Feed Mechanism	PG7480	- Trip Latch Spring	
G	BO8560	-- Cam Sleeve Thrust Bearing	PG7732	- Clutch Detent Spring	
H	4405/27A	-- Thrust Washer	4403/45	- Spring Anchor Screw	
J	4405/20A	-- Clutch Coupling	4403/23A	- Pivot Pin	
K	4403/2C	-- Cam Sleeve	4403/31	- Feed Lever Pivot	
L	PG5200	-- Compression Spring (Clutch)	4403/82	Shim (4 per assembly)	
M	4403/69	-- Feed Cam (2 per CP)	FEED LEVER AND FEED PLATE		
N	4403/5	-- Feed Cam Spacer	AU 4403/66	Feed Lever No. 1 Assembly	} <i>each includes:</i>
O	4405/8A	-- Cam Sleeve Nut	AV 4403/67	Feed Lever No. 2 Assembly	
P	4403/85	-- L.H. Friction Plate	AW 4403/32	- Cam Roller	
Q	4405/10	-- Felt Washer	4403/9	- Feed Lever Bush	
R	4405/11A	-- R.H. Friction Plate	4403/68	Feed Plate 2nd CP <i>includes:</i>	
S	PG5198A	-- Compression Spring	4403/16	- Feed Plate 1st CP	
T	4403/3	-- Dog Clutch Feed Mechanism	4403/49A	- Feed Pawl Rack	
U	BO8405/1	-- Ball Bearing (BS292 Ref. BRE007)	4403/15	- Withdrawal Lever CP	
V	4403/6	-- Bearing Clamp Nut	4403/14	- Withdrawal Lever Latch	
W	4418/11A	-- Feed Unit Gear	PG3355	- Latch Spring	
X	4404/89	- Keep Plate	BD 4403/77B	- Feed Pawl Bracket	
Y	BO4084/2	- Circlip 19mm (Anderston type 1300)	FEED PAWLS		
	4403/71A	- Clutch Detent Assembly <i>includes:</i>	BE 4403/60	Feed Pawl (rear) CP	} <i>2 off each per assembly</i>
Z	4403/51A	-- Clutch Detent CP	BF 4403/39	Adjuster Eccentric	
AA	4412/46	-- Cam Roller	BG 4403/61	Feed Pawl (front) CP	
AB	4403/87	-- Felt Lubrication	BH PG7822A	Pawls Tension Spring	
AC	4403/86	-- Roller Securing Clip	BJ PG7734	Feed Lever Tension Spring	
AD	4422/43	-- Clutch Stop Pin	BK 4403/22	Lever	
AE	PW5491	-- Special Washer (4 per assembly)	BL PG3348	Torsion Spring	
AF	4403/29	- Clutch Detent Pivot	BM 4403/44	Lever Plate CP	
	4403/88	- Feed Trip Latch Assembly <i>includes:</i>	BN 4403/19	Eccentric Adjuster	
			BO 4403/21	Link Strip	

Machine Serial Number must be stated when ordering Spare Parts

TRANSMITTER UNIT S4404A

Index Letter	Part No.	Part Name	Part No.	Part Name
		TRANSMITTER SUB ASSEMBLY 1st STAGE 4404/261		
A	4404/87A	Transmitter Casting CP <i>includes:</i>		
B	4404/258	- Stud (2 per CP)		
		CODE SELECTION LEVERS		
	4404/247	Code Selection Lever Assembly <i>includes:</i>		
C	4404/193A	- Keyboard Lock Bail		
D	4404/192A	- Selection Lever Rack		
E	4404/549	- Code Selection Lever (6 per assembly)		
F	4404/142	- Trip Lever CP		
G	4404/143A	- Trip Latch CP		
H	4404/134A	- Code Selection Lever Spindle		
J	PB4390	Collar		
K	4404/216	Clamp (2 per unit)		
L	PG7755	Tension Spring		
M	4404/112A	Sequential Lever Rack		
N	4404/96B	Sequential Lever Spring		
O	4404/106C	Felt Lubrication		
P	4404/95	Clamp Plate		
Q	4404/337A	Rack		
		SEQUENTIAL LEVER ASSEMBLY		
	4404/250	Sequential Lever Assembly <i>includes:</i>		
	4404/252A	- Common Frame CP <i>includes:</i>		
T	4404/467A	-- Common Frame CP		
U	4404/11	-- Common Frame Blade		
V	4404/333	- Sequential Lever (6 per assembly)		
W	4404/209	- WRU? Inhibiting Lever CP		
X	4404/95	- Felt Washer (4 per assembly)		
Y	4404/86	- Felt Washer		
Z	4404/84	- Nylon Washer } 2 off each per assembly		
AA	4404/97	- Sequential Lever Spindle		
AB	4404/206	Location Bush		
		TRANSMITTER SUB ASSEMBLY 2nd STAGE 4404/329A		
		TRANSMITTER SUB ASSEMBLY 3rd STAGE 4404/326		
		TRANSMITTER SUB ASSEMBLY 2nd Stage		
		TRIP LEVER		
	4404/328	Trip Lever Final CP <i>includes:</i>		
AR	4404/110B	- Trip Lever		
AS	4404/108	- Single Shot Latch		
AT	4410/55	- Washer		
AU	4404/343	- Eccentric Bush		
AV	4404/196	- Eccentric Pin		
AW	PG7755	- Tension Spring		
		RETENTION LEVER		
	4404/327	Retention Lever CP <i>includes:</i>		
AX	4404/36	- Retention Lever		
AY	4404/37	- Pivot Pin		
AZ	PG7761	- Tension Spring		
		TRANSMITTER SUB ASSEMBLY <i>includes:</i>		
	4404/540	Run-Out Lever Assembly <i>includes:</i>		
AM	4404/537	- Run-Out Crank CP		
AN	4404/534	- Run Out Lever Adjustment Plate		
AO	4404/535	Run-Out Lever CP		
		Tension Spring		
AQ	PG7756	Tension Spring		

Machine Serial Number must be stated when ordering Spare Parts

7.19

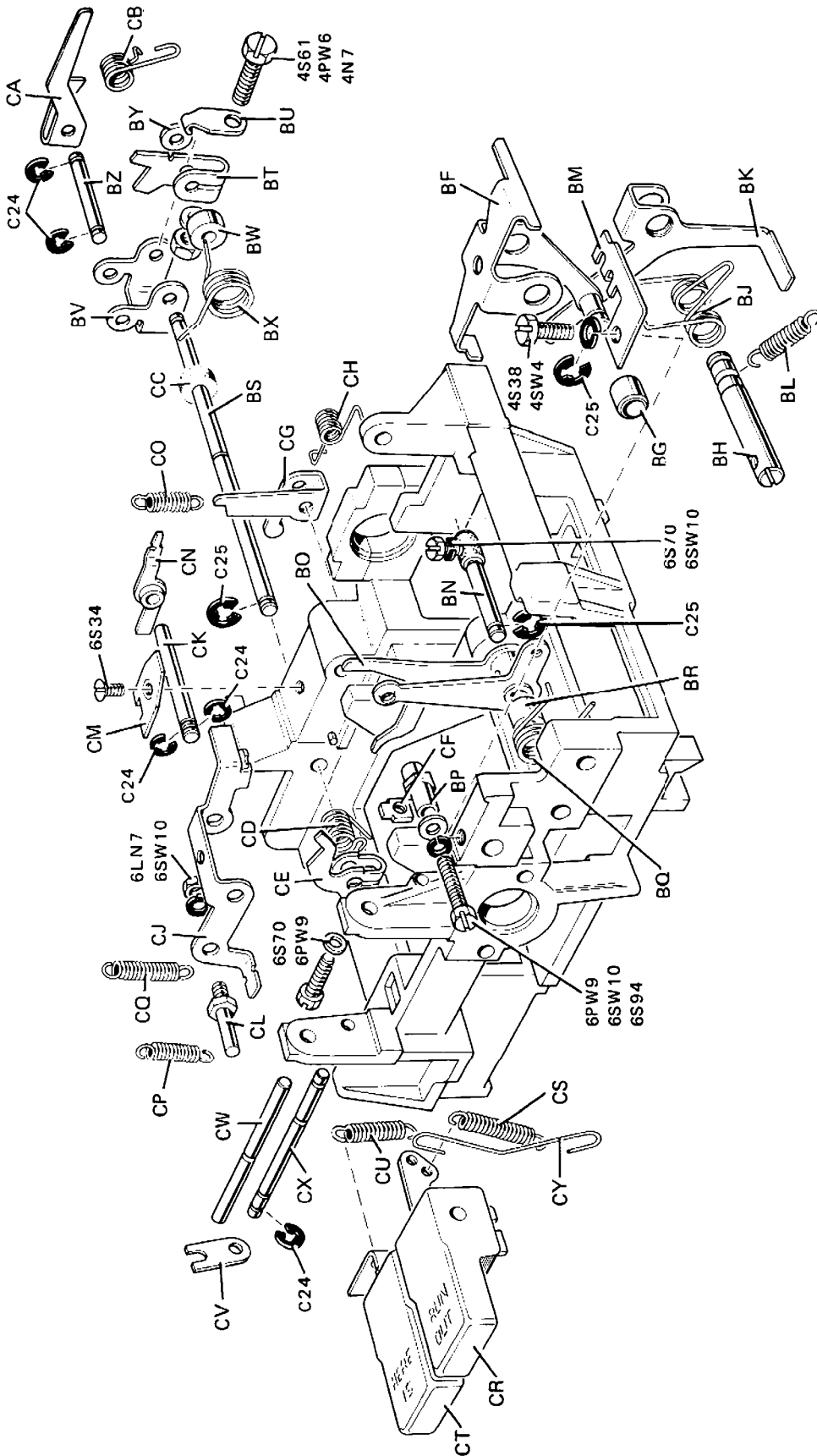


Fig. 7.19 DETENT LEVER AND ANSWER BACK TRIP SHAFT ASSEMBLIES

TRANSMITTER UNIT (Continued)

Index Letter	Part No.	Part Name	Index Letter	Part No.	Part Name
DETTENT LEVER					
4404/262		Detent Lever Assembly <i>includes:</i>	CA	4404/213	- Pawl
4404/17A		- Detent CP	CB	4404/334	- Torsion Spring
4412/46		- Roller	CC	4404/86	Felt Washer
4404/90		Pivot	CD	PG3370	Torsion Spring
PG3360A		Torsion Spring	CE	4404/75A	Detent Operating Lever
4404/88A		Answer Back Lock Lever	CF	4419/64A	Special Nut
PG7755		Tension Spring			
4404/140		Spring Anchor Plate and Detent Guide			
TRANSMITTER SUB ASSEMBLY 4th STAGE 4404/324A					
4404/326		Transmitter Sub Assembly 3rd Stage			
4404/184B		Send and Receive Lever Pivot	CG	4404/212	Transmitter Sub Assembly 4th Stage Latch
4404/183A		Send and Receive Lever CP	CH	PG3363A	Torsion Spring
4404/203		Eccentric	CJ	4404/214	Answer Back Trip Inhibiting Lever Assembly <i>includes:</i>
PG3384		Send and Receive Lever Spring	CK	4404/2	- Spindle
4404/458		Spacer	CL	4404/3	- Eccentric
ANSWER BACK TRIP SHAFT			CM	4404/221	Clamp Plate
4404/279		Answer Back Trip Shaft Assembly <i>includes:</i>	CN	4404/46A	Latch CP
4404/278		- Answer Back Trip Shaft Sub Assembly <i>includes:</i>	CO	PG7763	Tension Spring
4404/219		-- Answer Back Trip Shaft	CP	PG7762	Tension Spring
4404/62		-- Stop Lever	CQ	PG7764	Tension Spring
4404/210A		-- Spring Anchor Plate	CR	4404/268	"Run Out" Key
4404/211		-- Trip Lever	CS	PG7705	Tension Spring
4404/211		-- Trip Lever	CT	4404/266	"Here Is" Key
4404/222		-- Spacer	CU	PG7731	Tension Spring
PG3362C		-- Torsion Spring	CV	4404/65	Spacer
4404/218		-- Spacing Washer	CW	4404/56	Key Pivot
4404/1		- Spindle	CX	4404/93	Spindle
			CY	4404/92D	Run-Out Link

Machine Serial Number must be stated when ordering Spare Parts

TRANSMITTER UNIT (Continued)

Index Letter	Part No.	Part Name
	TRANSMITTER SUB ASSEMBLY 2nd STAGE 4404/329	
	4404/261	Transmitter Sub Assembly 1st Stage
	CAMSHAFT ASSEMBLY	
	4404/271A	Camshaft Assembly includes:
	4404/270	- Camshaft and Clutch Band Assembly includes:
DD	4404/264	-- Camshaft Sub Assembly includes:
DE	4404/31C	--- Camshaft and Drum Assembly
DF	4404/19	--- Moving Arm CP
DG	BO8230/3	--- Circlip 7mm (Anderson Type 1400)
DH	BO8573/1	--- Circlip 7mm (I.N.A. Needle Bearings Ref. WR7)
DJ	PG3347	-- Clutch Band
	4404/28	-- Bush
	4404/259	- Camsleeve 1st CP includes:
DK	4404/260	-- Camsleeve 2nd CP includes:
DL	4404/71B	--- Camsleeve
DM	4404/33	--- Washer
DN	BO8574/1	--- Bearing Seal
DO	4404/15A	-- Clutch Body
DP	4404/27	-- Eccentric Screw } 3 off each per CP
DQ	4404/21	-- Roller
DR	4404/68	-- Pin
DS	4404/23	-- Adjustable Clamp Plate
DT	4404/60	-- Clamp Plate
DU	BO8572/2	- Needle Cage Bearing (I.N.A. Needle Bearings Ref. K7/8)
DV	BO8560	- Thrust Bearing
DW	4404/74	- Clutch Plate
DX	4404/126	- Delay Disk
DY	4404/73	- Clutch Plate
DZ	PG5199	- Compression Spring
EA	4404/72	- Clutch Dog
EB	4404/59	- Spacer
EC	4404/60	- Clamp Plate
ED	PG7759	- Tension Spring
EF	BO8405/1	- Ball Bearing (BS292 Ref. BRE007) 2 per assembly
EG	4404/479	- Spacer
EH	4404/473	- Special Washer
	4418/10A	- Transmitter Gear CP

Machine Serial Number must be stated when ordering Spare Parts

TRANSMITTER UNIT (Continued)

Index Letter	Part No.	Part Name	Part No.	Part Name
	4404/302C	Striker Sub Unit <i>includes:</i>	4404/119A	Spring Anchor
	4404/309A	- Striker and Contact Blocks Assembly <i>includes:</i>	4404/509	Eccentric Pin
	4404/289B	- Striker Unit Sub Assembly <i>includes:</i>	4404/507B	Shouldered Screw
	4404/286A	- Striker Sub Assembly <i>includes:</i>	4404/322	Special Nut
GA	4404/514	Striker CP	PG5225	Compression Spring
GB	4404/503	Carrier	HO 4419/221	Shim (2 per assembly)
GC	4404/159B	Striker Pin	4419/166	Felt Washer
	4404/275	Striker Cam Lever CP <i>includes:</i>	HQ PF1116	Felt Washer
GD	4404/160A	Striker Cam Lever	CONTACT BLOCK	
GE	4404/162	Roller Pivot (2 per CP)	4404/251D	Contact Block Assembly (2 per unit) <i>includes:</i>
GF	4404/161	Roller	4404/150B	Contact Block
GG	PG7752	Tension Spring	4404/544	Backing Blade
GH	4404/157A	Link	4404/526	Contact Blade
GJ	4404/512	Felt Lubrication	4404/529A	Contact Blade CP
GK	4404/508	Lever	4404/525	Tongue Solder Tag
	CAM LEVER		4404/524	Clamp Plate
GL	4404/265A	Cam Lever Assembly <i>includes:</i>	4404/455	Solder Tag
GM	4404/180A	Cam Lever CP	4404/152A	Special Screw
GN	4412/46	Send and Receive Delay Release Lever	4404/528	Contact Screw
GO	PG3367	Roller	4404/67A	Special Nut
	JOCKEY ARM ASSEMBLY		4404/186A	Speical Screw
GP	4404/554	Jockey Arm Assembly <i>includes:</i>	4400/14	Send and Receive Lever
GQ	4404/550	Jockey Arm	4404/496	Felt Lubrication
GR	4404/499A	Jockey Pivot	CONTACT DOLLY	
GS	4404/551	Shaft Clip	TRANSMITTER WIRING	
GT	4404/521	Felt Lubrication	4404/310A	Transmitter Wiring CP <i>includes:</i>
GU	4404/553	Jockey Roller	4404/315B	Transmitter R.I.S. Cableform <i>includes:</i>
GV	4404/553	Felt Lubrication	BO7800/2	Grommet
GU	4404/501A	Jockey Spring	BO3993/1	Microswitch
GW	4404/497A	Anchor Pin	4404/313	Transmitter Plug CP <i>includes:</i>
GX	4404/497A	Bracket	BO7610/1	12-way Plug (Painton Series 159-Special)
	FRONT AND BACK PLATES		4404/7	Mounting Plate
GY	4404/491A	Back Plate CP	4404/314	R.I.S. Assembly (2 per assembly) <i>includes:</i>
GZ	4404/488A	Front Plate CP	4404/316	R.I.S. Base CP
HA	4404/505	Stop Plate CP	BO4045/1	Inductor (Temp.) Reference R.F. 15A } 3 off each per assembly
HB	4404/493A	Rocker Plate CP	BO5221/1	Capacitor 470 pF
HC	4404/472B	Cover Fixing Stud	BO4063A/1	Cable Clip (2 per assembly)
HD	4404/519	Pillar (2 per assembly)	4404/311	E.O.L.I. Switch Bail
HE	4404/520	Pillar	4404/522	E.O.L.I. Switch Pivot (2 per assembly)
HF	4404/234B	Tape Reader Delay Lever	4404/523	Bracket (E.O.L.I. Switch)
HG	4419/64A	Special Nut	PG7820A	Tension Spring
HH	4404/86	Felt Lubrication	4419/116	Nut Plate
			4010/492	Switch Insulator

Machine Serial Number must be stated when ordering Spare Parts

7.23

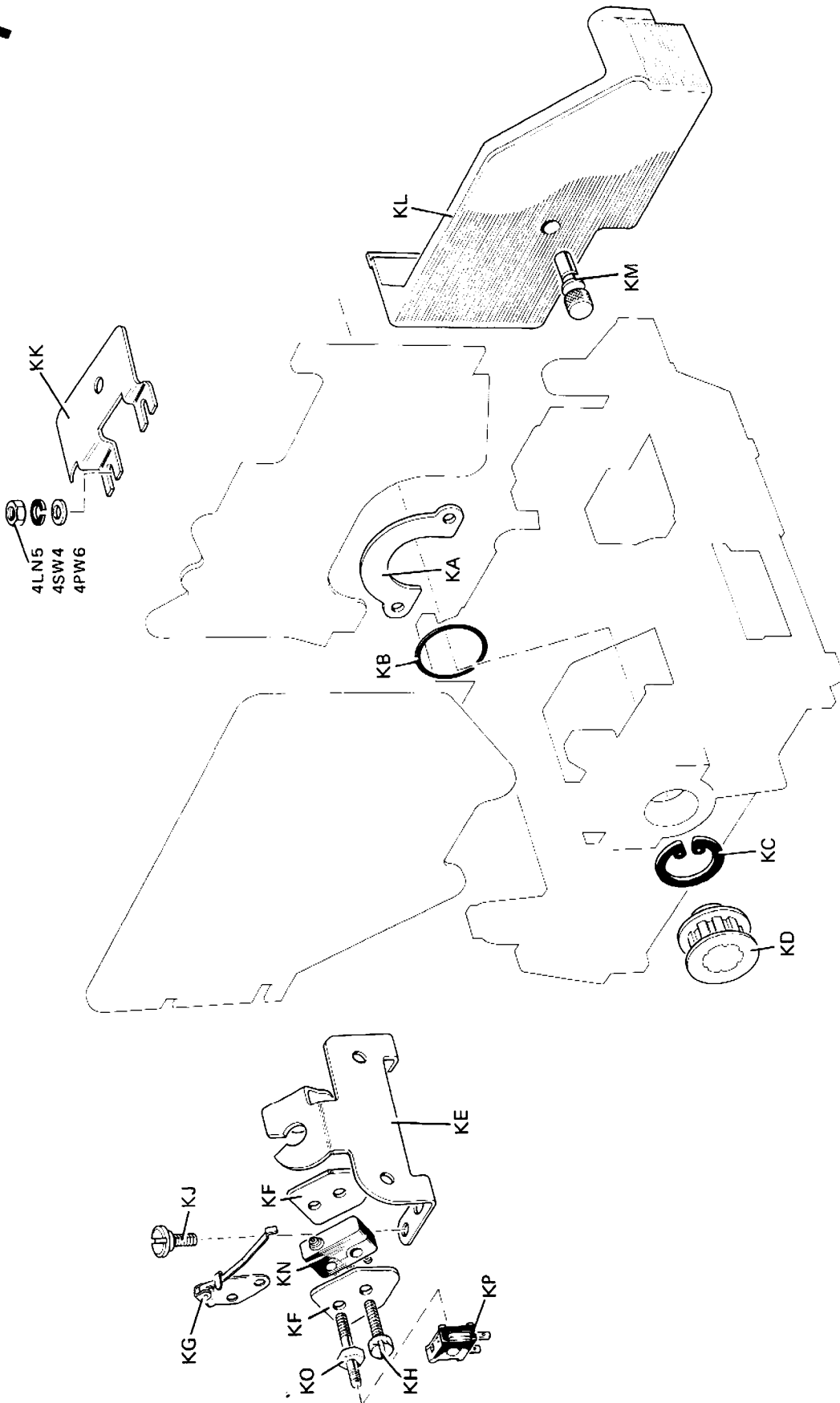


Fig. 7.23 TRANSMITTER UNIT FINAL ASSEMBLY

TRANSMITTER UNIT (Continued)

Index Letter	Part No.	Part Name
KA	4404/89	Keep Plate
KB	BO8110/10	'O' Ring (BS No. 016) Angus Ref. No. R2062
KC	BO4084/2	Circlip 19mm (Anderton Type 1300)
KD	4404/338A	Transmitter Pulley CP
KE	4404/41	Off-Normal Switch Bracket
KF	4404/43	Off-Normal Switch Insulator (2 per unit)
KG	BO4057/5	Off-Normal Switch Actuator (Honeywell No. JS221)
KH	4404/42	Off-Normal Switch Screw
KJ	4404/53A	Shouldered Screw (2 per unit)
KK	4404/257	Gear Cover
	4404/305	Contact Block Cover CP (for machines without Tape Reader)
	4404/471	Contact Block Cover CP (for machines with Tape Reader)
KL	4404/235	- Contact Block Cover (for machines without Tape Reader)
	4404/470	- Contact Block Cover (for machines with Tape Reader)
KM	4404/54A	- Cover Retaining Nut
KN	BO3993/1	Microswitch
KO	4404/332	2-way Socket CP (E.O.L.I.) includes:
KP	4404/306	- Socket Screw
	BO7649/7	- 2-way Socket

} each includes:

Machine Serial Number must be stated when ordering Spare Parts

7.24

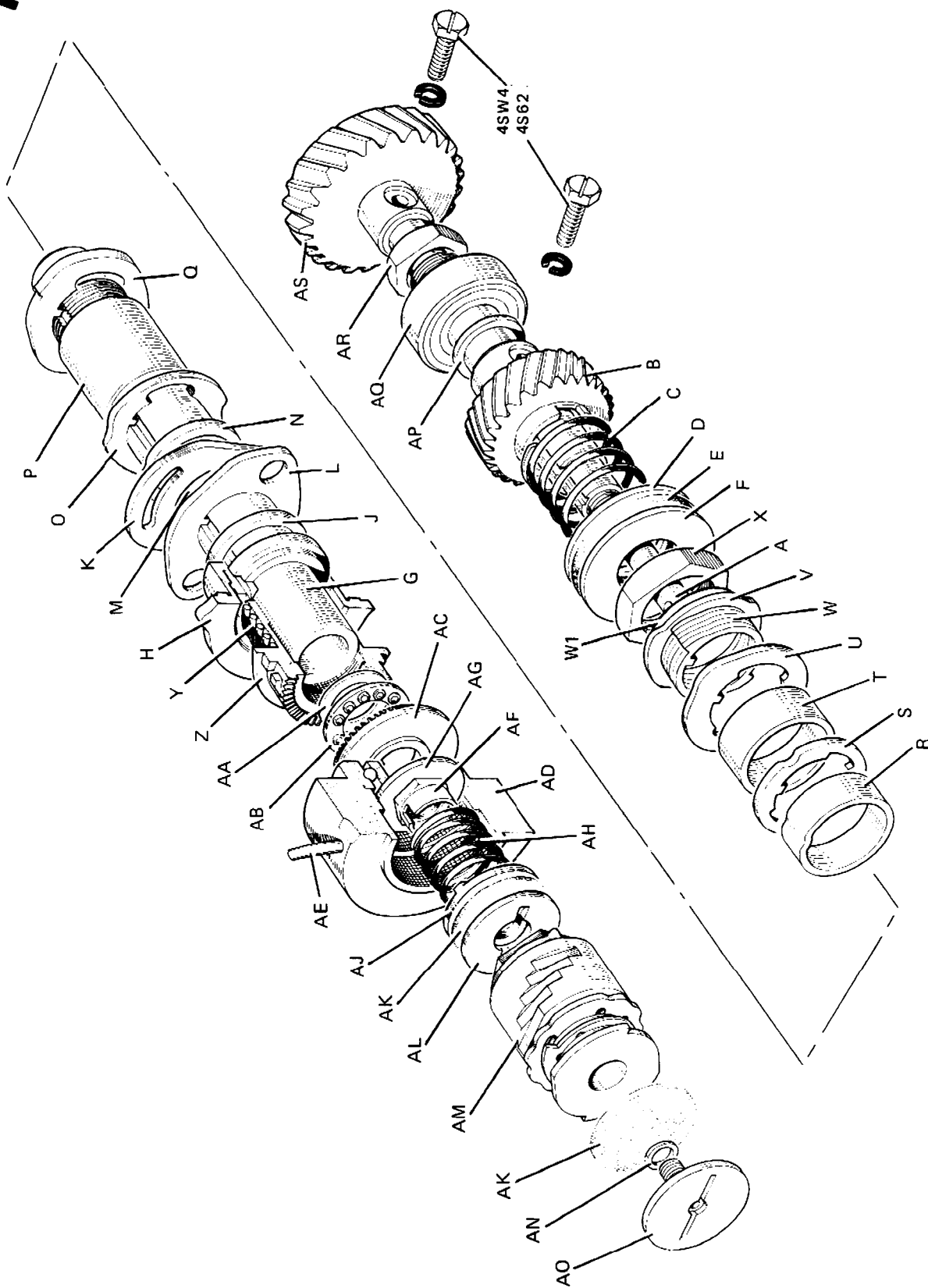


Fig. 7.24 MAIN CAMSHAFT UNIT

MAIN CAMSHAFT UNIT { **S4405B** (for machines with Motor Control Switch)
AS4405B (for machines without Motor Control Switch)

Index Letter	Part No.	Part Name	Index Letter	Part No.	Part Name
A	4405/1B	Main Camshaft	X	4405/8A	- Cam Sleeve Nut
B	4405/42	Feed Unit Pinion	Y	PG5200	Clutch Compression Spring
C	PG5198A	Compression Spring	Z	4405/20A	Clutch Coupling
D	4405/11A	R.H. Friction Plate	AA	4405/27A	Thrust Washer
E	4405/10	Felt Washer	AB	BO8560	Cam Sleeve Thrust Bearing
F	4405/9A	L.H. Friction Plate	AC	4405/21	Clutch Coupling (fitted to S4405A)
G	4405/43C	Cam Sleeve Assembly includes:	AD	4403/4A	Clutch Coupling (fitted to AS4405A)
H	4405/2D	-Camshaft Sleeve	AE	4405/44	Bearing Housing CP
I	4405/60	-Code Read and Latch Reset Cam	AF	4405/49	Oil Tube
J	4405/3	-Cam Spacer	AG	4405/83	Bearing Clamp Nut
K	4405/80	-Reperforator Cam - One	AH	4405/84	Bearing Clamp Washer
L	4405/81	-Reperforator Cam - Two	AI	PG5197	Compression Spring
M	4405/82	-Cam Spacer	AJ	4405/15A	Friction Plate
N	4405/4	-Cam Spacer	AK	4405/66	Felt Washer (2 per assembly)
O	4405/33A	-Power Bail Cam	AL	4405/53B	Friction Plate
P	4405/5	-Cam Spacer	AM	4405/32A	Selector Cam Sleeve CP
Q	4405/37A	-Print Cam	AN	4405/59	Shim (4 per assembly)
R	4405/6	-Cam Spacer	AO	4405/52	Friction Plate
S	4405/34	-Carriage Feed Trip Cam	AP	4405/12	Clamp Washer
T	4405/7A	-Cam Spacer	AQ	BO8409/1	Single Row Rigid Ball Journal Bearing (BS292 - BRE010)
U	4405/35	-Carriage Return Cam	AR	4405/13	Bearing Clamp Nut
V	4405/87	-Function Selection Two Colour Cam	AS	4405/64A	Main Shaft Gear CP
W	4405/85	-WRU? (Two Colour Cam) 5 per assembly			
W1	4405/88	-Cam Spacer (fitted between Items X and V)			

Machine Serial Number must be stated when ordering Spare Parts

- S4406A 4-Row Keyboard without Motor Control Switch
- AS4406A 4-Row Keyboard with Motor Control Switch
- BS4406A 3-Row Keyboard without Motor Control Switch
- CS4406A 3-Row Keyboard with Motor Control Switch

KEYBOARD UNIT

Index Letter	Part No.	Part Name	Part No.	Part Name
	3-Row Keyboard		4-Row Keyboard	
	4406/81A	Keyboard 1st Assembly includes:	SP1011/2	Figs. Pad
A	4406/88C	- Keyboard Casting	4406/59A	Letter Frame CP
B	4406/42	- Keyboard Rack	SP1011/3	Letters Pad CP
C	4406/75	- Letters Spring	4406/62A	Space Key CP
D	4406/74	- Figures and Space Spring	4406/135	Spacer
E	4406/78	- Space Frame Spring	4406/6	Key Lever
F	4406/11B	- Keybar Spring (7 per assembly)	4406/6	Key Lever (3 per unit)
CODE BARS				
G	4406/63	Selector Bar CP (6 per assembly)	4406/85	1st Row Keybar CP includes:
H	4406/69A	Trip Selector Bar CP	4406/2	- 1st Row Keybar
J	4406/25	Pressure Plate (2 per assembly)	KB1020	- Keybutton
K	4406/24A	Toggle Spring	4406/64	2nd Row Keybar CP includes:
L	4406/142A	WRU7 Suppression Bar (Rear)	4406/3	- 2nd Row Keybar
M	4406/143A	WRU7 Suppression Bar (Front)	KB1020	- Keybutton
N	4406/71A	Set of Combination Bars	4406/65	3rd Row Keybar CP includes:
O	4406/141A	Figures/Letters Code Bar	4406/65	- 3rd Row Keybar
P	4406/144	Letters/Figures Code Bar	4406/4	- Keybutton
Q	4406/145	Lock Bar	KB1020	4th Row Keybar CP includes:
R	4406/146	Trip Slat Blank	4406/83	- 4th Row Keybar
S	4406/41A	Code Bar Lever (12 per unit)	4406/5	- Keybutton
T	4406/8B	Trip Lever Spacer	KB1020	1st Row Dummy Keybar (not shown)
U	4406/67	Trip Lever	4406/45	2nd Row Dummy Keybar
V	4406/87B	Shift Bar Lever	4406/82	3rd Row Dummy Keybar
W	4406/19A	Lever Pivot Rod	4406/84	4th Row Dummy Keybar
X	4406/9	Clamp Plate (4 per unit)	4406/66	Keybar-Pivot
Y	PG7297	Trip Spring	4406/12A	Stop Strip CP
Z	4406/15	Keybar Rack	4406/52A	Lever Rod CP
AA	4406/137	Overtravel Stop CP	4416/33B	Centre Pivot Screw (2 per unit)
AB	4406/16A	Code Bar Rack	4416/35	Link Rod CP
AC	4406/72	Pivot Location Plate	4416/31	Tread Rod
AD	4406/157	Stop Plate	4416/30A	Pivot Pin
AE	4406/73B	Space Frame Assembly	4416/36	Latch Trip Lever
AF	SP1010	Space Pad CP	4416/32	Pivot Rod Support Bracket
AG	4406/60A	Figs. Frame CP	PW5790	Shim (0.010) (5 off in total between items BF and BG)

Note: When ordering these parts the inscription required on the Keybutton must be stated

The following parts are only assembled when the machine is fitted with a Motor Control Switch

Machine Serial Number must be stated when ordering Spare Parts

7.26

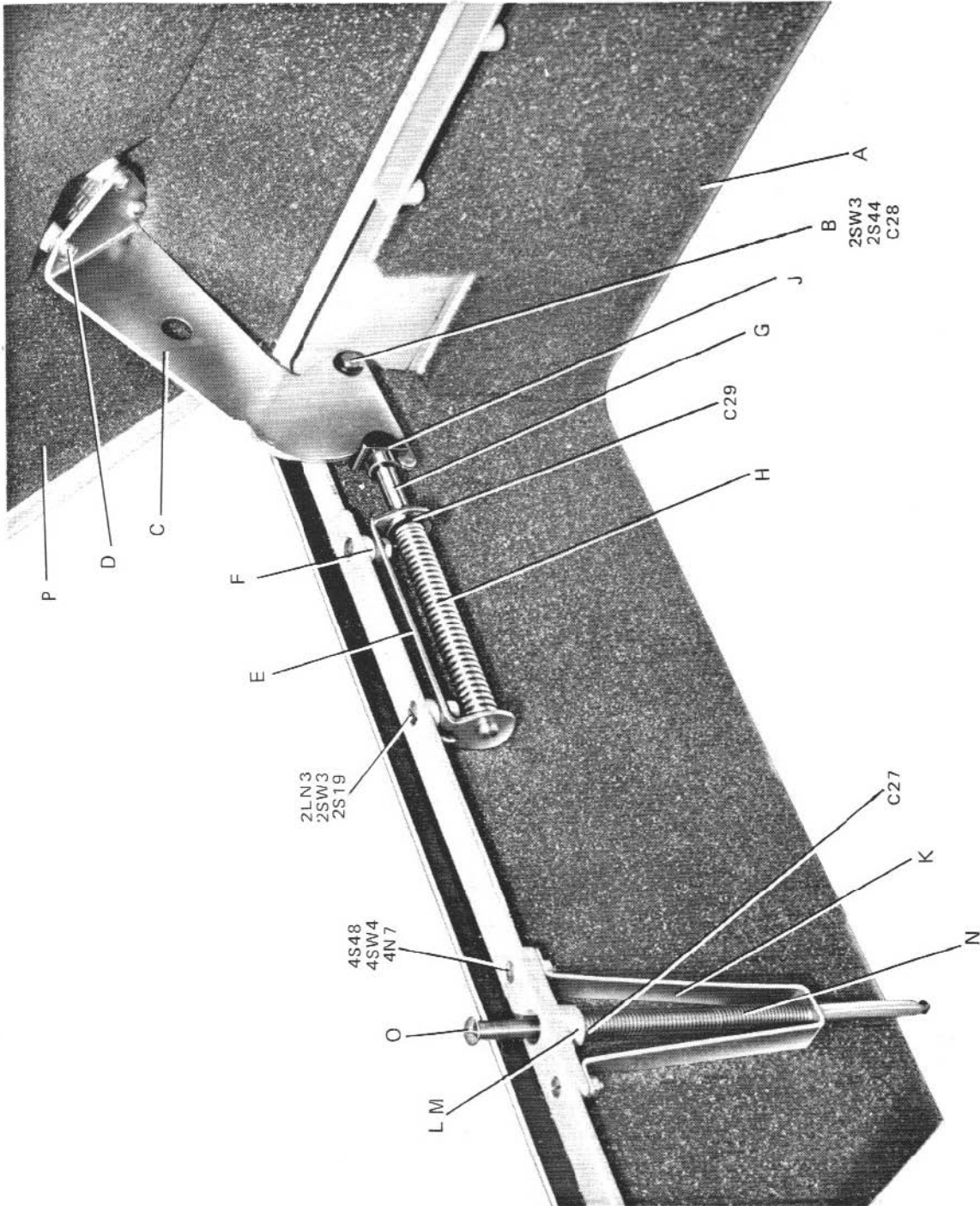


Fig. 7.26 COVER UNIT OPENING CAM

COVER UNIT S4407A

Index Letter	Part No.	Part Name	
	4407/86A	BASE TRAY ASSEMBLY	See Page 53
A	4407/90	Cover Assembly <i>includes:</i>	
B	4407/89B	- Cover Body Sub CP	
C	4407/12C	- Opening Cam Pivot	
	4407/13A	- L.H. Cam Opening	
	4407/19A	- R.H. Cam Opening	
D	PS7252	- Special Screw (6 per assembly)	
E	4407/14	- Opening Spring Bracket (2 per assembly)	
F	4407/45	- Special Washer (2 per assembly)	
G	4407/18A	- Spring Holder	
H	PG5192	- Compression Spring	
J	4407/16	- Cam Follower	
K	4407/21A	- Pin Guide (2 per assembly)	
L	4407/36	- Grommet	
M	4407/62	- Special Washer	
N	PG5193	- Spring Ejection	
O	BO8246/1	- Special Oddie Stud	
P	4407/87A	- Cover Lid Sub CP	See Page 57
	4407/46	- COVER WINDOW ASSEMBLY	
	4407/24	- Spacer (4 per assembly) fitted on each corner of Cover	
	BO8215	- Rubber Mount (2 per unit) fitted under front of Lid	See Page 55
		KEYBOARD MASK ASSEMBLY	

Machine Serial Number must be stated when ordering Spare Parts

7.27

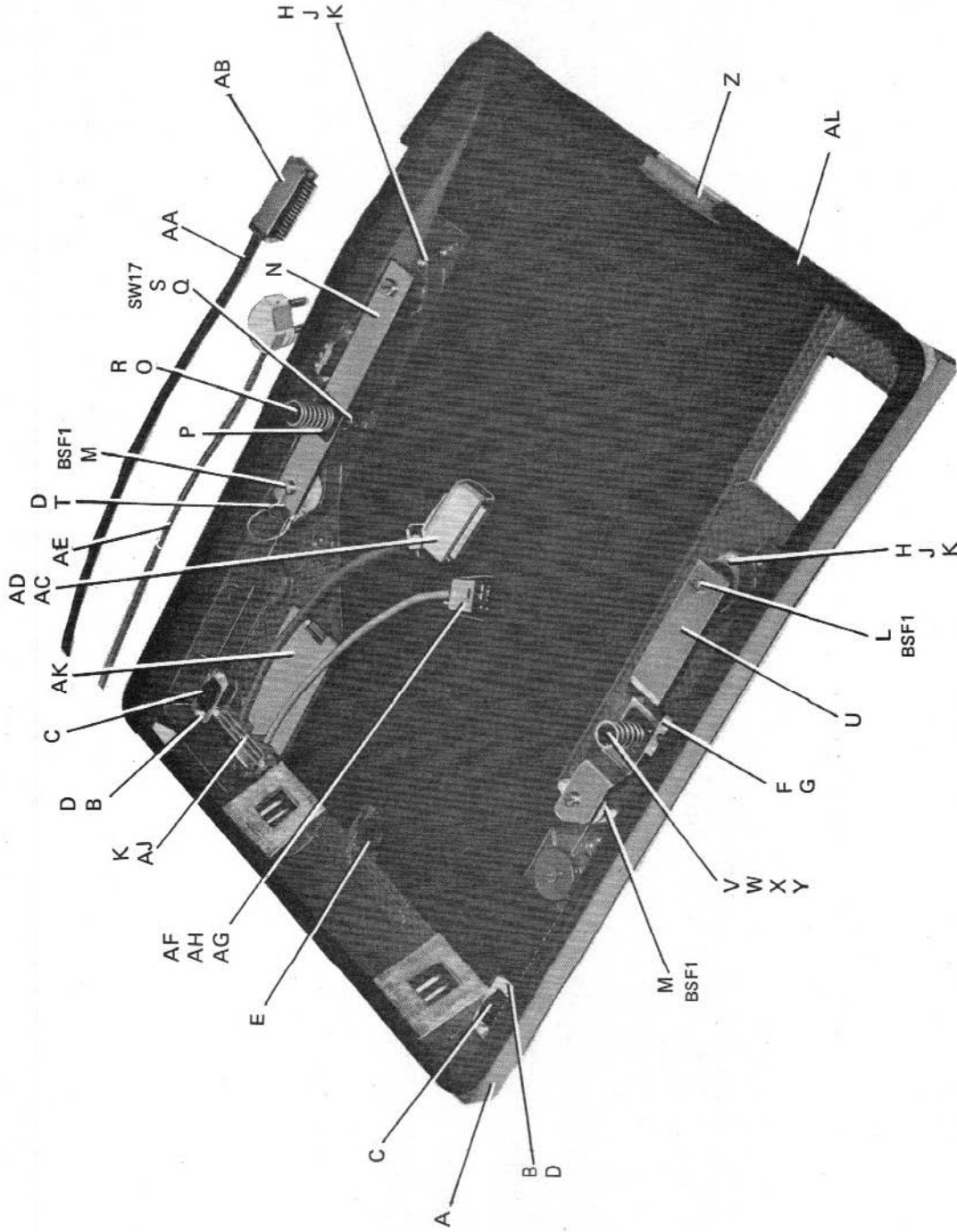


Fig. 7.27 COVER BASE TRAY

7.28

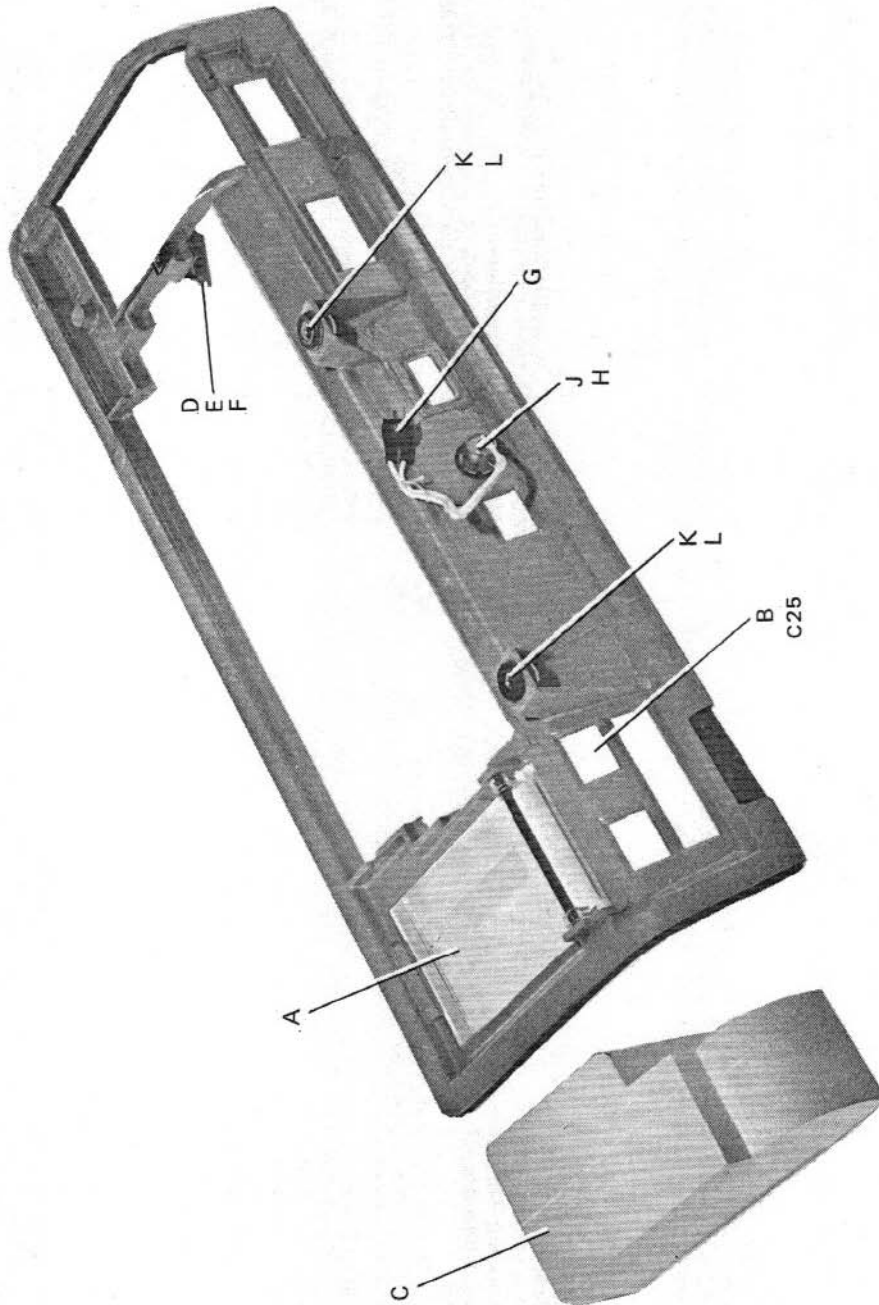


Fig. 7.28 KEYBOARD MASK

KEYBOARD MASK ASSEMBLY (with Moulded Plastic Chad Box).

Index Letter	Part No.	Part Name
A	4407/69B	Chad Box Lid.
B	4407/74A	Chad Box Lid Pivot.
C	4407/227	Chad Box.
D	4407/210	Tape Deflector
E	4407/211	Fixing Stud
F	B08248/1	Clip
	4407/92	E.O.L.I. Lamp Assembly includes :
G	B07649/1	- 2 way Plug.
H	B06450/1	- E.O.L.I. Lamp
J	4407/131	- Indicator Lamp Cap.
K	B07803/4	Grommet (2 per assembly)
L	4424/42	Flanged Bush (2 per assembly)

fitted on Keyboard Masks.

The part number of the Keyboard Mask Assembly varies depending on the type of machine. The Table below lists the various masks.

	Part No.	Plastic Chad Box	Steel Chad Box	With Tape Punch	With Tape Reader	With Answer Back
3-ROW KEYBOARD MACHINES	4407/160	-	★	-	-	★
	A4407/160	-	★	-	-	-
	4407/161	-	★	★	-	★
	4407/161A	★	-	★	-	-
	A4407/161	-	★	★	-	-
	A4407/161A	★	-	★	-	★
	4407/162A	-	★	★	★	★
	4407/162B	★	-	★	★	★
	A4407/162A	-	★	★	★	-
	A4407/162B	★	-	★	★	-
	4407/165A	-	-	-	★	★
4-ROW KEYBOARD MACHINES	4407/95A	-	★	★	★	★
	4407/95B	★	-	★	★	★
	A4407/95A	-	★	★	★	-
	A4407/95B	★	-	★	★	-
	4407/98	-	-	-	-	★
	A4407/98	-	-	-	-	★
	4407/158	-	-	★	★	-
	4407/158A	★	-	★	★	-
	A4407/158	-	-	★	★	-
	A4407/158A	★	-	★	★	★
	4407/159A	-	-	-	★	★
A4407/159A	-	-	-	-	-	
RECEIVER ONLY MACHINES	4442/26	★	-	★	-	-
	4442/28	-	★	-	-	-

7.29

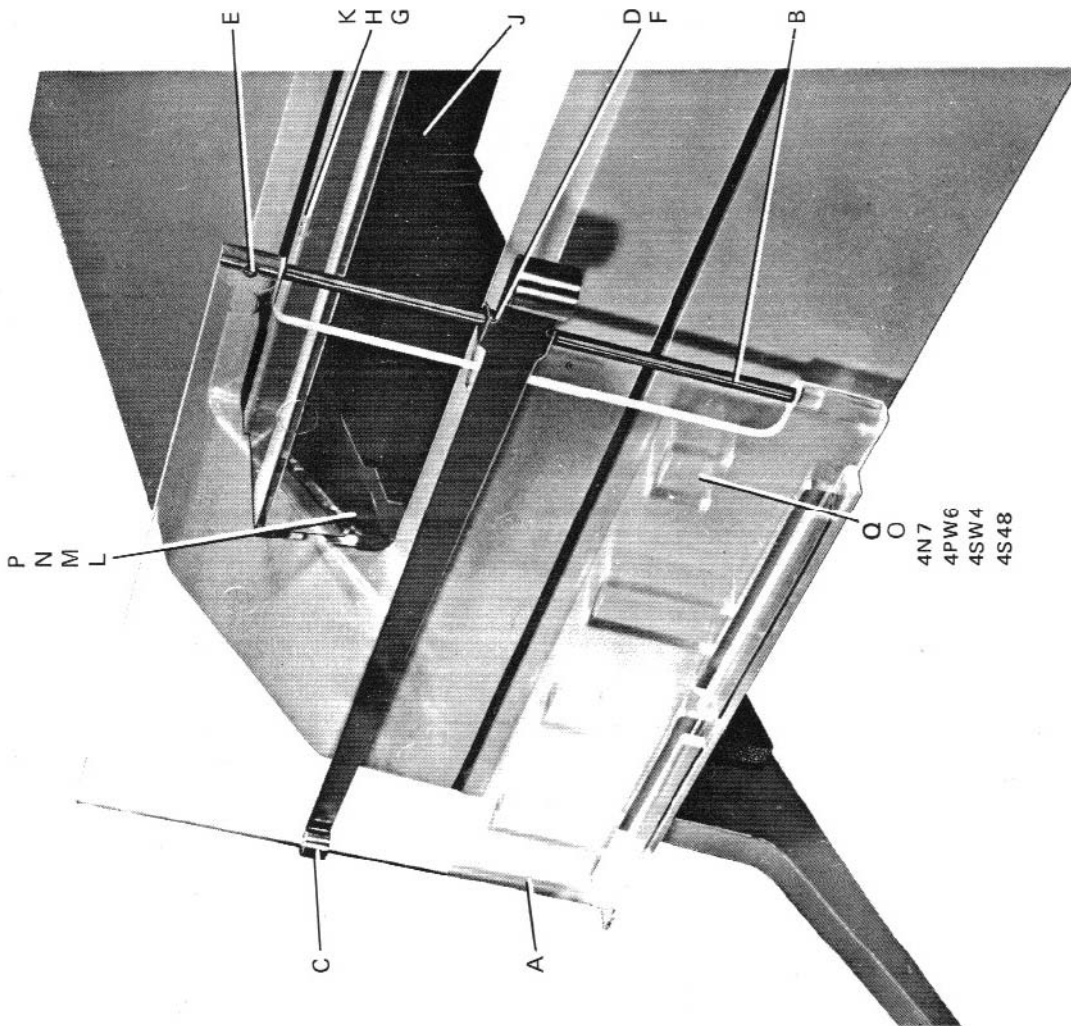


Fig. 7.29 COVER WINDOW AND LECTERN

COVER WINDOW AND LECTERN S4429A

Index Letter	Part No.	Part Name
A	4429/10	Lectern Plate
B	4429/11	Lectern Blade Bar
C	4429/13	Lectern Blade
D	RL1211	Lectern Blade Spring Roller
E	PS7245	Special Screw
F	PG3016	Lectern Blade Spring
G	4407/46	Cover Window Assembly includes:
H	4407/31	- Paper Tear Off Edge
I	4407/32A	- Paper Tear Off Clamp
J	4407/65	- Window
K	PS7245	- Special Screw (4 per assembly)
L	RB1057	Rubber Clamping Washer
M	4407/50	Special Washer
N	PS7268	Special Screw
O	4429/9A	Lectern Fixing Plate
P	4407/138	Support Bracket (2 per assembly)
Q		

} 4 off each per assembly

Machine Serial Number must be stated when ordering Spare Parts

7.30

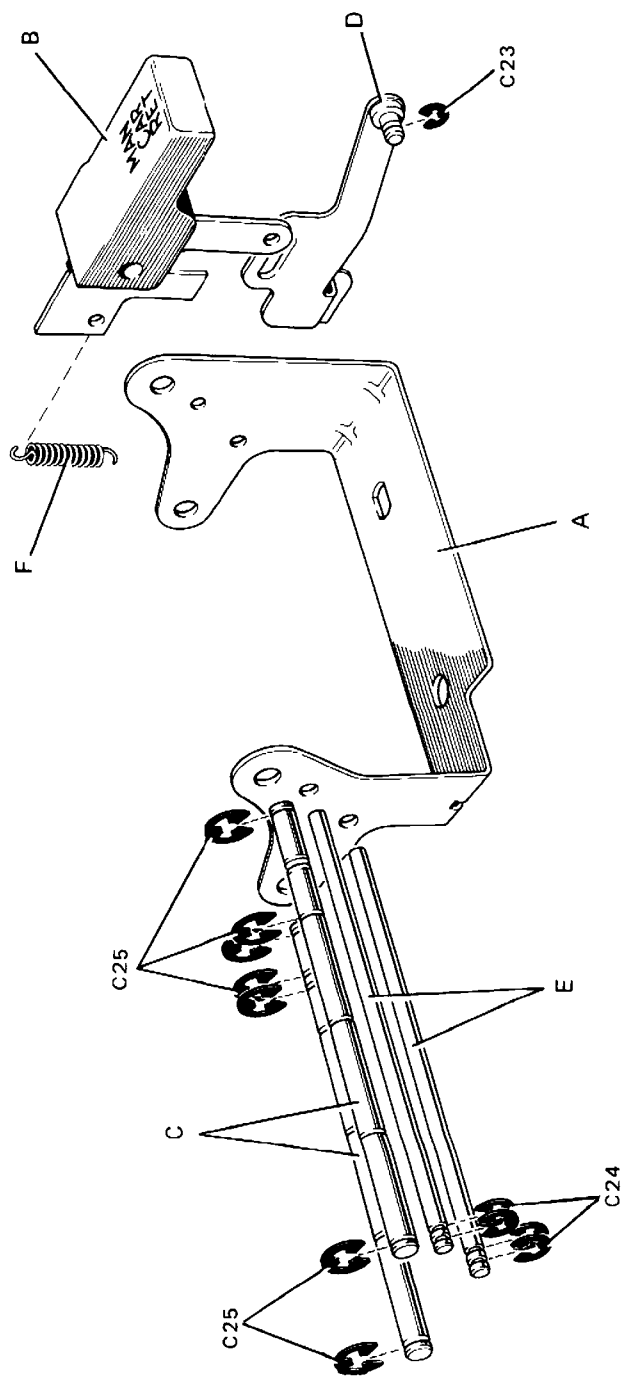


Fig. 7.30 MANUAL CONTROL UNIT

MANUAL CONTROL UNIT S4408

Index Letter	Part No.	Part Name
A	4408/2	Manual Key Bracket
B	4408/12	Manual Carriage Return Key
C	4408/9A	Support Pin <i>(2 per unit)</i>
D	4408/6	Manual Carriage Return Bar CP
E	4408/10	Support Pin <i>(2 per unit)</i>
F	PG7749	Tension Spring

Machine Serial Number must be stated when ordering Spare Parts

CODE CONTROL UNIT S4409

Index Letter	Part No.	Part Name	Index Letter	Part No.	Part Name
	COMBINATION BARS CODE BELLCRANKS AND CONTROL LEVERS				
	4409/71	Code Control Assembly 2nd Stage includes:	V	4409/43	--- Special Washer (2 per assembly)
	4409/70	- Code Control Assembly 1st Stage includes:	W	4409/16	-- Special Washer
	4409/67	-- Code Control Casting Assembly includes:	X	4409/18	-- Eccentric Pin
A	4409/5B	--- Code Control Unit Casting	Y	4409/19	-- Shift Bar Cam Sector
B	4409/10	--- Control Lever Rack (2 per assembly)	Z	4409/25	- Function Control Lever (4 per assembly)
C	4409/12A	--- Rear Typehead Guide	AA	4409/27	- Control Lever (2 per assembly)
D	4409/6A	--- Combination Bar Support	AB	4409/37	- Carriage Return Control Lever
E	4409/7	--- Combination Bar Rack	AC	4409/28	- Function Control Lever
F	4409/8	--- Combination Bar Auxiliary Rack	AD	4412/24	- Felt Washer (6 per assembly)
G	4409/74	--- Combination Bar No. 1	AE	4409/11	- Control Lever Spindle
H	4409/75	--- Combination Bar No. 2	AF	4409/30	- Clamp Plate (2 per assembly)
J	4409/76	--- Combination Bar No. 3	AG	4409/39	- Hook Bolt
K	4409/77	--- Combination Bar No. 4	AH	4409/44	- Spring Anchor
L	4409/78	--- Combination Bar No. 5	AJ	PG7748	- Tension Spring (6 per assembly)
M	4409/34	-- Shift Bar CP	AK	PG7747	- Tension Spring (2 per assembly)
N	4409/24A	-- Code Slat	SWITCH MOUNTING PLATE AND PLUG ASSEMBLY		
O	4409/1	-- Code Bellcrank	AL	4409/42C	Switch Mounting Plate
P	4409/2	-- R. H. Code Bellcrank	AM	4409/29	Plug Mounting Plate
Q	4409/65	-- Shift Bellcrank	AN	4409/73	Switch and Plug Assembly includes:
R	4409/9	-- Special Parallel Pin (2 per assembly)	AO	BO7645/1	- Code Control Plug
S	4409/23A	-- Shift Slide Assembly includes:	AP	4409/69	- Contact Set CP
T	4409/68	--- Shift Slide Bracket CP	AQ	4409/72	- Cableform
U	4409/33	--- Shift Slide	AR	BO7852/2	- Rubber Sleeve (12 per assembly)
	4409/17			BO4063A/1	Cable Clip (2 per assembly)

2 off each per assembly
 Before ordering please refer to Note on Page 2
 5 off each per assembly

Machine Serial Number must be stated when ordering Spare Parts

7.32

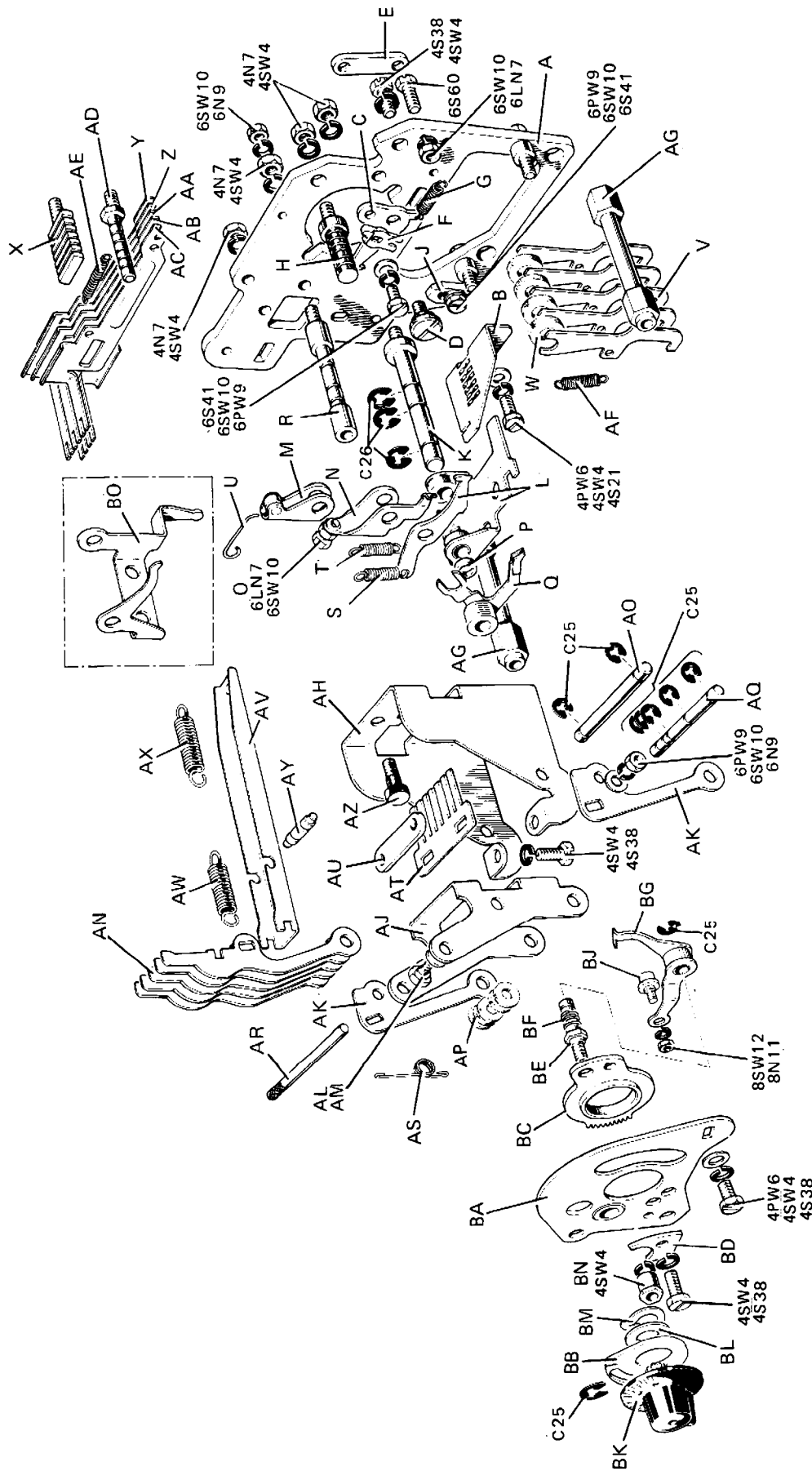


Fig. 7.32 SELECTOR UNIT

SELECTOR UNIT { **S4410** for machines without Motor Control switch
AS4410 for machines with Motor Control switch

Index Letter	Part No.	Part Name	Part No.	Part Name
		BACK PLATE ASSEMBLY		
	4410/89	Back Plate Assembly 2nd Stage (for machines without Motor Control switch)	PG7727	- Tension Spring (Sequential Lever) 5 per assembly
	or	Back Plate Assembly 2nd Stage (for machines with Motor Control switch)	4410/19A	- Pillar (2 per assembly)
A	4410/88	- Back Plate Assembly includes:	TRANSFER LEVERS	
B	4410/54A	- Back Plate	4410/79	Transfer Levers Assembly includes:
C	4410/41	- Sequential Lever Rack	AJ	- Pivot Frame
D	4410/29B	- Trip Lever	AK	- Driving Frame
E	4410/52A	- Pivot Screw	AL	- Adjustment Arm
F	4410/7	- Nut Plate	AM	- Eccentric Stud } 2 off each per assembly
G	4410/53C	- Latch	AN	- Washer
H	PG7724	- Tension Spring	AO	- Set of Code Transfer Levers
I	4410/21	- Sequential Lever Rack	AP	- Pivot Pin
J	2319/143	- Abutment	AQ	- Felt Washer (5 per assembly)
		READ BAIL ASSEMBLY	AR	- Drive Link Anchor Pin
	4410/86	- Read Bail Assembly (for machines without Motor Control switch)	AS	- Drive Pin
	or	- Read Bail Assembly (for machines with Motor Control switch)	AT	- Torsion Spring
K	4410/62	- Flanged Pin	AU	- Rack
L	4410/63	- Read and Lock Lever CP (for machines without Motor Control switch)	AV	- Nut Plate
	or	- Read and Lock Lever CP (for machines with Motor Control switch)	AW	- Drive Link
M	4410/85	- Read Cam Lever CP	AX	- Tension Spring (2 per assembly)
N	4410/82	- Bail Lifting Lever CP includes:	AY	- Tension Spring (Short)
O	4410/107	- Special Screw	AZ	- Spring Anchor Pin
P	4410/71A	- Spacer (for machines without Motor Control switch)		- Locating Screw (2 per assembly)
Q	4416/34A	- Trip Lever (for machines with Motor Control switch)	FRONT PLATE ASSEMBLY	
R	4410/65B	- Trip Lever CP	4410/81	Front Plate Assembly 2nd Stage includes:
S	4410/50A	- Pillar	4410/59	- Front Plate CP
T	PG7728	- Tension Spring (Lock Lever)	4410/58A	- Orientation Pointer Plate
U	PG7730A	- Retainer	4410/91	- Orientation Plate CP
V	4410/22C	- Sequential Levers (5 per assembly)	4410/12	- Clamp Plate
W	4410/60	- Felt Washer (4 per assembly)	TRIP RESET LEVER	
X	4410/20	- Storage Latch Rack	4410/80	- Trip Reset Lever Final CP includes:
Y	4410/42	- Storage Latch No. 1	4410/14A	- Flanged Pin
Z	4410/43	- Storage Latch No. 2	PG5203	- Compression Spring
AA	4410/44	- Storage Latch No. 3	BG	- Trip Reset Lever 1st CP
AB	4410/45	- Storage Latch No. 4	BJ	- Pin Trip Lever
AC	4410/46	- Storage Latch No. 5	BK	- Orientation Knob CP
AD	4410/90	- Anchor Pin	BL	- Washer
AE	PG7729A	- Tension Spring (Storage Latch) 5 per assembly	BM	- Spring Washer
			BN	- Special Nut
			BO	4404/322

When the machine is fitted with a Motor Control Switch 4410/86 Read Bail Assembly is replaced by 4410/100 Read Bail Assembly. These differ in one part only, i.e. item BO replaces item P

Machine Serial Number must be stated when ordering Spare Parts

7.33

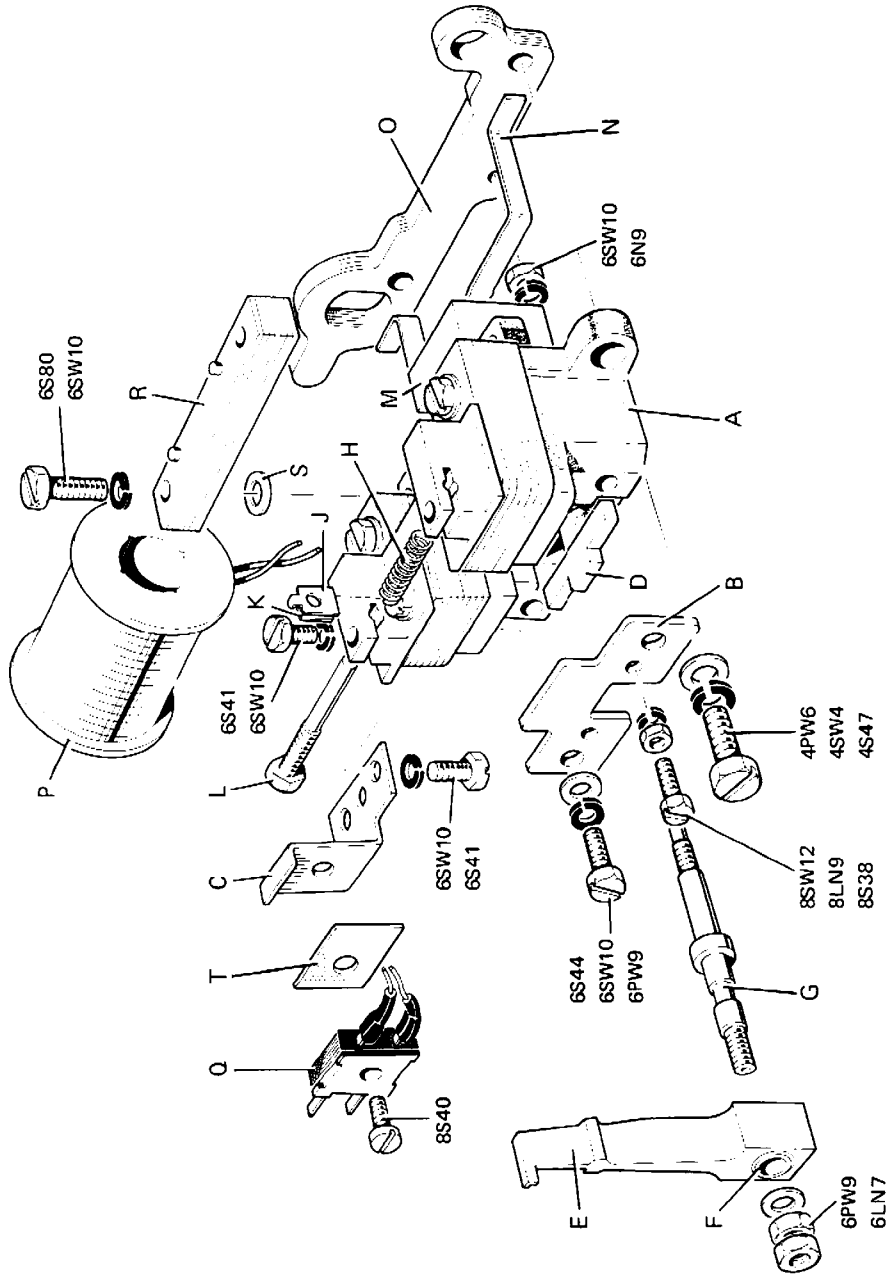


Fig. 7.33 ELECTROMAGNET UNIT

ELECTROMAGNET UNIT { **S4411A** (for machines less single-to-double current converter facility)
AS4411A (for machines with single-to-double current converter facility)

Index Letter	Part No.	Part Name
A	4411/22A	Casting and Lamination CP
B	4411/54	Distance Piece
C	4411/37	Plug Mounting Bracket
D	4411/53	Coupling Plate
E	4411/50A	Armature CP includes:
F	4411/44A	- Armature
G	4411/48A	- Oilite Bush
H	4411/49A	Armature Pivot
J	PG5219	Compression Spring } 2 off each per unit
K	4411/55	Shim Retainer
L	4411/56	Shim (quantity 4 max.)
M	PS5194	Stop Screw (2 per unit)
N	4411/4A	Magnet
O	4411/13	Magnet Retaining Spring
	4411/39	Adjustment Bracket
P	4411/57	Coil and Plug CP (fitted to machines without single-to-double current converter) } each includes:
	4411/17	Coil and Plug CP (fitted to machines with single-to-double current converter)
Q	4411/58	- Electromagnet Coil CP (fitted to 4411/57)
	BO7649/1	- Electromagnet Coil CP (fitted to 4411/39)
R	4493/11	- 2-way Plug (Painton Series 159-Special) fitted to 4411/39
S	4411/6	- 3-way Plug (fitted to 4411/57)
T	4417/13	Laminated Core CP
	4411/38	Special Washer (2 per unit)
		Insulating Plate

Machine Serial Number must be stated when ordering Spare Parts

FUNCTION UNIT S4412

Index Letter	Part No.	Part Name	Part No.	Part Name
		FUNCTION UNIT MAIN BASE FINAL ASSEMBLY		
	4412/115A	Function Unit Main Base 2nd Stage <i>includes:</i>		
	4412/113B	- Function Unit Main Base 1st Stage <i>includes:</i>		
A	4412/124C	-- Function Unit Main Base CP	AK	4412/152
B	4412/65	-- Spring Anchor Rack	AL	4412/133
C	4412/98	-- Front Guide Rack	AO	4412/99B
D	4412/38C	-- Gear Segment Jockey Lever	AP	4412/101A
E	4412/40	-- Jockey Lever Pivot	AQ	4412/100
F	PG7831A	-- Jockey Lever Spring	AR	PG7742
		FUNCTION LEVERS	AS	PG7743
	4412/112A	- Function Levers Assembly <i>includes:</i>	AT	PG7744
G	4412/58	-- Main Bearing Shaft	AU	PG7745A
	4412/108	-- Carriage Feed Trip Lever CP	AV	PG7746
	4412/109	-- Carriage Return Lever CP	AW	4412/154
H	4412/51A	-- Carriage Feed Trip Lever (<i>fitted to 4412/108</i>)	AX	PF 1213
J	4412/50A	--- Carriage Return Lever		SHIFT BEAM ASSEMBLY
K	4412/47A	--- Roller Pivot	4412/110	Shift Beam Assembly <i>includes:</i>
L	4412/46	--- Cam Holler	AY	4412/18A
M	4412/45	--- Felt Pad	AZ	4412/20
N	4412/48A	-- Print Suppression Lever	BA	4412/21
O	4412/24	-- Felt Washer (<i>4 per assembly</i>)	BB	4412/19
P	4412/140	-- Felt Washer	BC	4412/90
Q	4412/80	-- Shift Cam Gear CP	BD	4412/28
R	4412/106	--- Power Bail Arm Assembly <i>includes:</i>	BE	4412/29
	4412/83	--- Power Bail Cam CP	BF	4412/92A
S	4412/42A	--- Power Bail Cam Roller	BG	4412/26
T	4412/44	--- Retaining Washer	BH	4412/91
U	BO8582/2	--- Needle Roller (<i>17 per assembly</i>)	BJ	4412/103A
V	4412/9	--- Felt Washer		POWER BAIL ASSEMBLY
W	4412/10A	--- Power Bail Link	4412/111	Power Bail Sub Assembly <i>includes:</i>
W1	4412/138	-- Function Reset Bail Casting CP	BK	4412/5
X	4412/136	-- Function Reset Bail	BL	4412/97A
X1	4412/134	-- Function Reset Lever	BM	4412/84A
Y	4412/47A	-- Roller Pivot	BN	4412/7
Y1	4412/46	-- Cam Roller		FUNCTION UNIT MAIN BASE FINAL ASSEMBLY
Z	4412/45	-- Felt Pad	BO	PG3337A
AA	4404/450	-- Staple	BP	4412/82
AB	4412/135	-- Eccentric Pin	BQ	4412/9
		FUNCTION BAR ASSEMBLY	BR	4412/105
	4412/114	- Function Bar Assembly <i>includes:</i>	BS	4412/24
AC	4412/59	-- Function Bar Guide Shaft	BT	PG7741
AD	4412/63A	-- WRU? Function Bar	BU	4412/81A
AE	4412/62A	-- Line Feed Function Bar		
AF	4412/31A	-- Shift Function Bar, Figures		
AG	4412/32B	-- Shift Function Bar, Letters		

Machine Serial Number must be stated when ordering Spare Parts

TYPE CARRIAGE AND RIBBON UNIT S4413

Index Letter	Part No.	Part Name	Index Letter	Part No.	Part Name
TYPE CARRIAGE SUB ASSEMBLY 4413/152A					
TYPE CARRIAGE CASTING					
A	4413/119A	Type Carriage Casting CP	AH	4413/78	- Jumper Stop Arm
B	4413/41	Spring Anchor Plate	AJ	4413/57	- Pivot Pin
C	4413/42	Spacer (2 per assembly)	AK	4413/58	- Felt Washer (4 per assembly)
D	4413/7	Front Rack	AL	4413/33	- Roller
E	4413/14	Rear Rack	AM	4413/32	- Pin (3 per assembly)
F	4413/44	Retaining Clip (3 per assembly)	AN	4413/59A	- Ribbon Jumper
G	4413/40A	Code Sectors Rack	AO	4413/39B	- Jumper Arm Bail
H	4413/79	Top Rack	AP	PG7739B	Tension Spring
J	4413/201A	Stop	TYPE CARRIAGE SUB ASSEMBLY 4413/163		
K	4413/203A	Spacer	AQ	4413/26A	Code Seeker Bar
L	PW5937	Shim (for Code Sector Stop adjustment) 8 each side max.	AR	4413/8	Type Wire } 28 off each max.
M	4413/244AA	Set of Code Sectors Before ordering please refer to page 2	AS	PG7736	Tension Spring
PRINT BAIL CASTING					
N	4413/118	Print Bail Casting Assembly includes:	AT	4413/124B	Carriage Stop Screw
O	4413/73A	- Print Bail Casting	AU	4413/227	Lever Return Spring CP (for 69 characters per line machines)
P	4413/77A	- Type Bail	or		
Q	4413/84	- Pivot Pin (2 per assembly)	TYPE BAR ASSEMBLY		
R	4413/81	- Roller Pivot	AV	4413/64A	Type Bar Casting Sub-Assembly includes:
S	4413/112	- Type Bail Roller	AW	4413/200	- Type Basket Casting CP
T	4413/82	- Oiling Felt	AX	4413/38A	- Ribbon Jumper Guide
U	4413/80	- Roller Retaining Spring	AY	4413/29	- Bracket
V	4413/80	Print Bail Guide Spindle (2 per assembly)	AZ	4413/54	- Guide Pin
W	4413/9	Type Carriage Shaft	BA	4413/88	- Bush
X	PF1214	Print Bail Oiling Felt	BB	4413/265	- Felt Washer } 2 off each per assembly
Y	4413/112	Rear Roller	BC	4413/167	- L.H. Type Support
Z	4413/209C	Code Sector Bellcrank CP (5 per assembly)	BD	4413/266	- R.H. Type Support
AA	4413/105	Ribbon Feed Lever CP (2 per assembly)	BE	4413/6	- L.H. Keep Plate
AB	4413/47	Pivot Screw (2 per assembly)	BF	4413/5	- R.H. Keep Plate
AC	4413/208	Jockey Lever Assembly (5 per assembly)	BG	4413/13	- Pivot Wire
AD	4413/207	Spring Anchor	BH	4413/277	- Shift Roller CP includes:
AE	PS8628	Posidriv Screw (6BA x 3/16in.) 2 per assembly	BI	4413/276	- Eccentric Pivot
AE	PG7801	Tension Spring	BJ	4413/275	- Skid
RIBBON JUMPER ASSEMBLY					
AF	4413/117	Ribbon Jumper Lever Assembly includes:	BK	4413/268	- Type Bar Rest CP
AG	4413/43	- Pivot Bracket	BL	4413/250	- Set of Type Bars
	4413/37A	- Ribbon Jumper Arm	BM	4413/46	Bearing Bracket
			BN	4413/264	Felt Washer
			BO	4413/52C	Type Bar Casting Guide Pins
				4413/225A	Stop Plate

Machine Serial Number must be stated when ordering Spare Parts

TYPE CARRIAGE AND RIBBON UNIT S4413

Index Letter	Part No.	Part Name	Index Letter	Part No.	Part Name
		FEED RACK AND SUPPORT ROLLERS			
CA	4413/221A	Feed Rack (69 Character Line)		4413/154	L.H. Ribbon Tension Lever CP
or	4413/222B	Feed Rack (75 Character Line)	CX	4413/147	R.H. Ribbon Tension Lever CP } includes:
	4413/153	R.H. Roller CP } includes:	CY	4413/145	- L.H. Tension Lever CP (for L.H. assembly only)
	4413/165	L.H. Roller CP }	CZ	4413/146	- R.H. Tension Lever CP (for R.H. assembly only)
CB	4413/51A	- R.H. Support Spindle (Long)	DA	4413/16A	- Pulley Spindle
CC	4413/164A	- L.H. Support Spindle (Short)	DB	4413/17A	- Guide Pulley
CD	4413/86	- Type Carriage Roller	DC	4413/282	- Guide Bracket
CE	4413/36	Type Carriage Spring Anchor Plate (69 Characters)	DD	4413/283	R.H. Clutch Band CP (Red Spot identification)
or	4413/284	Type Carriage Spring Anchor Plate (75 Characters)	DE	4413/263	L.H. Clutch Band CP
CF	4413/49	L.H. Retaining Plate	DF	4413/133	Ribbon Feed Drive Shaft CP (2 off each assembly)
CG	4413/50	R.H. Retaining Plate	DF1	4413/279	Spacing Washer
CH	4413/212	E.O.L.I. Roller Plate CP includes:	DG	4413/280	Changeover Lever Assembly includes:
CJ	4413/155	- Roller Plate	DH	4413/278	- Changeover Lever CP
CK	4413/157	- Eccentric Pivot	DG	PG7735	Tension Spring (for Ribbon Feed Changeover Lever)
CL	4413/156	- Roller	DH	4413/264	Felt Washer (2 per assembly)
CL	4413/129	R.H. Stop Lever	DJ	4413/18A	Ribbon Platform } 2 off each per assembly
		RIBBON FEED MECHANISM	DK	4413/137	Eccentric Bush
CM	4413/101A	Ribbon Changeover Link CP	DL	4413/139B	Retention Pawl
CN	PG7737A	Tension Spring (for Ribbon Changeover Link)	DM	4413/136A	Spacing Collar
CO	4413/160	Changeover Ratchet CP	DN	PG3357A	L.H. Torsion Spring
CP	4413/122	Spacing Washer (2 per assembly)	DO	PG3356A	R.H. Torsion Spring
	4413/148	L.H. Ribbon Feed Pawl Assembly } includes:	DP	4413/138	Anchor Pin
	4413/149	R.H. Ribbon Feed Pawl Assembly }	DQ	PG7740	Tension Spring } 2 off each per assembly
CQ	4413/98	- L.H. Bellcrank CP } for L.H. assembly	DR	4413/48	L.H. Ribbon Feed Link
CR	PG3359	- Torsion Spring }	DS	4413/91B	R.H. Ribbon Feed Link
CS	4413/97	- R.H. Bellcrank CP } for R.H. assembly	DT	PG7738A	Tension Spring
CT	PG3358	- Torsion Spring }	DU	4413/159	Tension Spring (for changeover Lever)
CU	4413/56	- Pawl (1 off each per assembly)	DV	4413/230	Stop Bracket CP
CV	4413/20	L.H. Ratchet Wheel	DW	PS5751A	Special Screw
CW	4413/35	R.H. Ratchet Wheel	DX	4413/241	Bearing Plate (2 per assembly)

Machine Serial Number must be stated when ordering Spare Parts

7.37

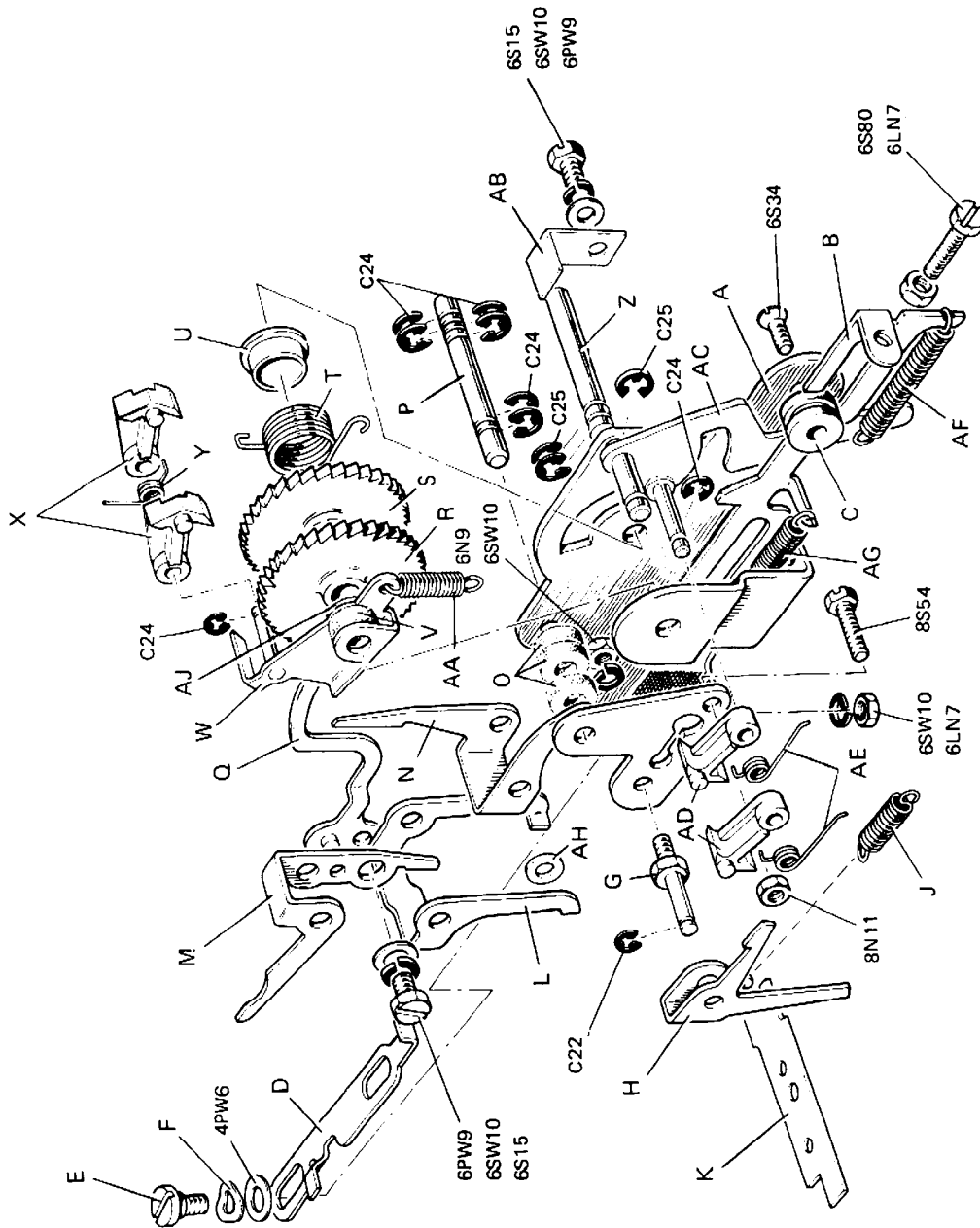


Fig. 7.37 MOTOR CONTROL SWITCH

MOTOR CONTROL SWITCH UNIT S4416B

Index Letter	Part No.	Part Name
A	4416/57	Motor Control Switch Bracket
B	4416/21A	Link Plate
C	4416/20	Bush (<i>Link Rack</i>) 2 per unit
D	4416/11	Cut-Out Lever
E	4416/10A	Shouldered Screw } 2 off each per unit
F	PW5794	Spring Washer
G	4416/17	Shouldered Pin
H	4416/18	Keyboard Trip Lever
J	PG7712	Tension Spring
K	4416/19A	Pawl Trip Plate
L	4416/12B	Reset Trip Lever
M	4416/24	Pawl Release Lever
N	4416/25A	Ratchet Cam Drive Lever
O	4413/58	Felt Washer (3 per assembly)
P	4416/22A	Pawl Release Lever Pin
Q	4416/23	Pawl Release Lever
R	4416/1	Drive Ratchet
S	4416/2	Driven Ratchet
T	PG3346B	Torsion Spring (<i>Ratchet Return</i>)
U	4416/50	Spring Collar
V	4404/85	Felt Washer
W	4416/49	Pawl Lever Assembly <i>Includes:</i>
X	4416/13	- Pawl Lever CP
Y	4416/3C	- Pawl (2 per assembly)
Z	PG3339	- Torsion Spring
AA	4416/5	Ratchet Pivot Pin
AB	PG7750	Tension Spring
AC	4416/26A	Ratchet Stop Plate
AD	4416/59	Retaining Pawls Assembly <i>includes:</i>
AE	4416/56	- Adjustment Lever } 2 off each per assembly
AF	PG3456	- Pawl
AG	PG7708A	- Torsion Spring
AH	PG7843	Tension Spring
AJ	4409/43	Special Washer
	PW5232	Shim (<i>Max 5 per unit</i>)

Machine Serial Number must be stated when ordering Spare Parts

7.38

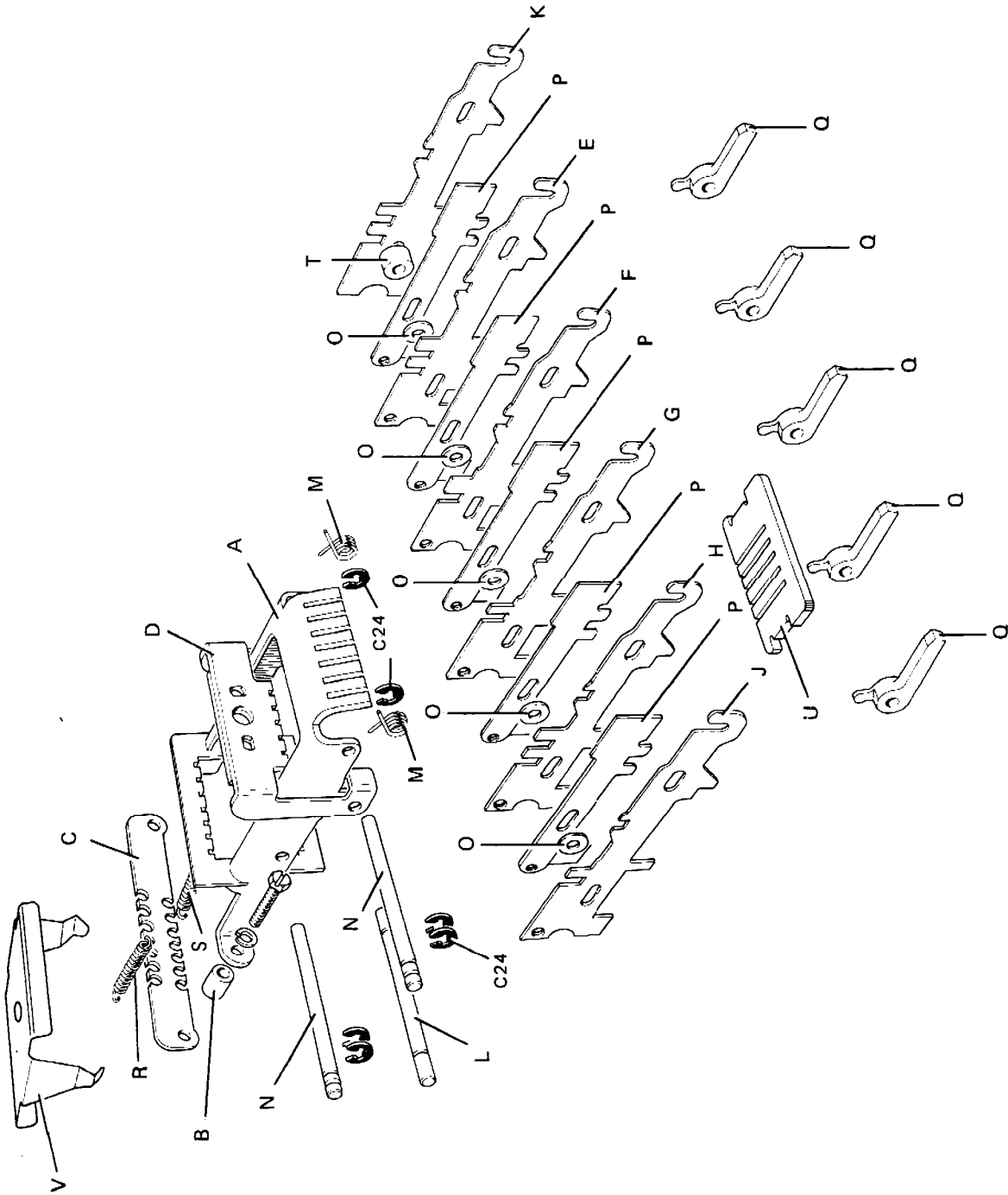


Fig. 7.38 LINK UNIT

LINK UNIT ASSEMBLY S4417B

Index Letter	Part No.	Part Name
		Link Unit Frame CP includes:
A	4417/50	- Link Unit Frame
B	4417/51	- Spacing Collar
C	4417/37	- Spring Anchor Plate
D	4417/4	Stop Bracket
E	4417/56A	Transfer Bar No. 1
F	4417/22A	Transfer Bar No. 2
G	4417/23A	Transfer Bar No. 3
H	4417/24A	Transfer Bar No. 4
I	4417/25A	Transfer Bar No. 5
J	4417/26A	Shift Bar
K	4417/28A	Pivot Pin
L	4417/55	Torsion Spring
M	PG3441	Guide Pin
N	4417/9	Spacing Washer
O	4417/57	Latch Release Bar
P	4417/54A	Latch (5 per assembly)
Q	4417/58B	Tension Spring (Transfer Bar)
R	PG7825	Tension Spring (Latch Release Bar)
S	PG7706A	Spring Collar
T	4417/27	Rack
U	4417/49A	Cover for springs
V	4417/70	

Before ordering please refer to note on page 2

2 off each per assembly

5 off each per assembly

7.39

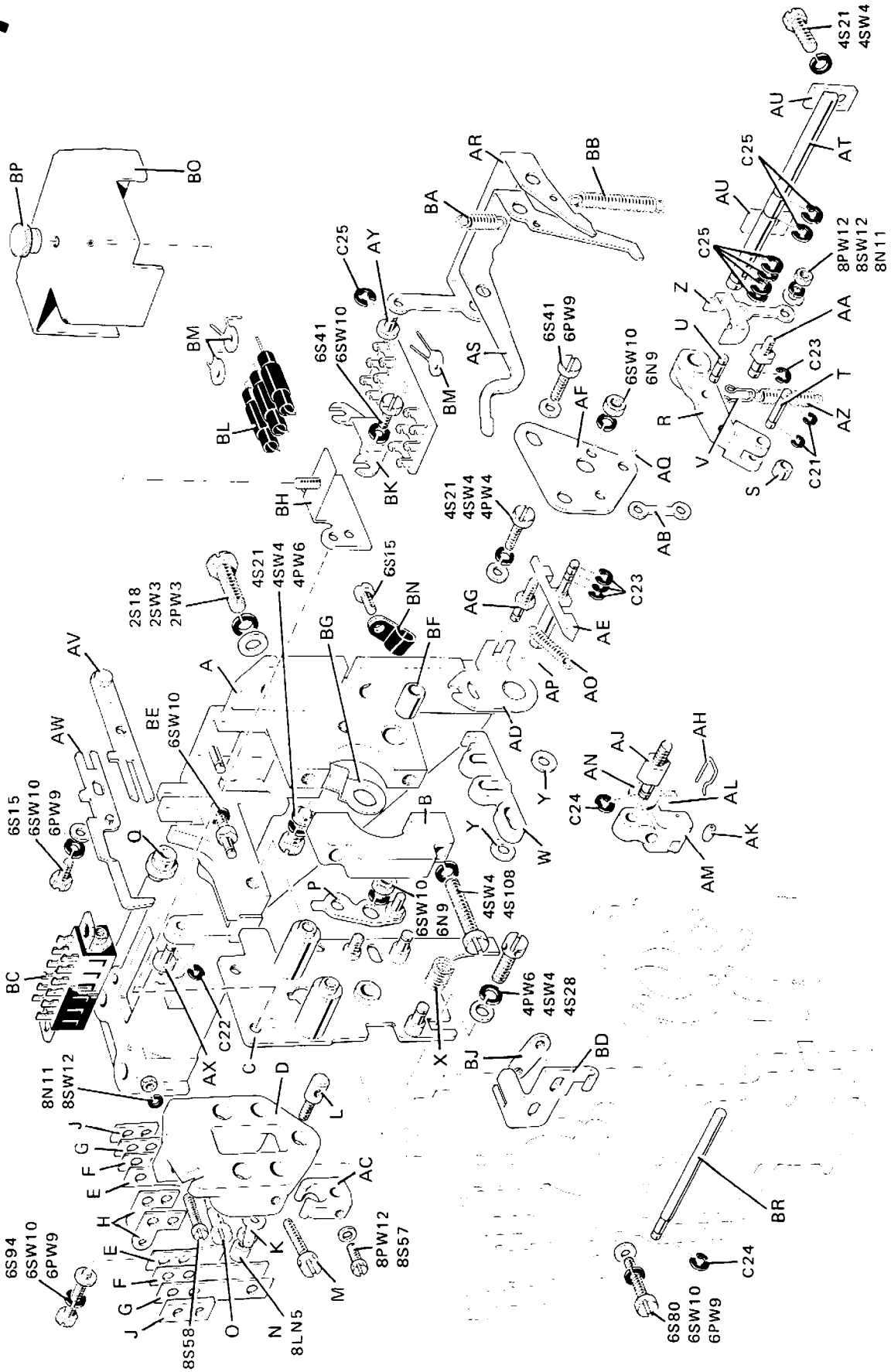


Fig. 7.39 TAPE READER CASTING AND CONTACT BLOCKS

TAPE READER UNIT S4419A

Index Letter	Part No.	Part Name	Part No.	Part Name
	MOUNTING BRACKET AND CONTACT BLOCK			
	4419/2238	Mounting Bracket Assembly includes:	4419/354	Jockey Assembly includes:
	4419/307A	- Mounting Bracket Casting Assembly includes:	4404/551	- Shaft Clip
	4419/270A	- Mounting Bracket CP includes:	4419/303A	- Jockey Pivot
A	4419/107E	- Mounting Bracket	4404/521	- Jockey Roller
B	4404/80A	- Bearing Housing	4404/553	- Oil Felt
	4419/197C	- Contact Mounting Plate Assembly includes:	4404/550	- Jockey Arm
C	4419/296	- Contact Mounting Plate CP	PF1212	- Felt Lubrication
	4404/251D	- Contact Block Assembly includes:	PG7857A	- Tension Spring
D	4404/150B	- Contact Block	4419/166	- Felt Washer
E	4404/544	- Backing Blade	PF1116	- Felt Washer
F	4404/526	- Contact Blade	4419/78	- Send/Receive Switch Cam Lever
G	4404/529A	- Contact Blade CP	4419/79	- Transmitter Delay Trip Lever
H	4404/525	- Tongue Solder Tag	4419/84	- Striker Lever Shaft
J	4404/524	- Clamp Plate	4419/30	- Clamp Plate (2 per assembly)
K	4404/456	- Solder Tag	4419/199A	- Send/Receive Link Assembly includes:
L	4404/152A	- Clamp Screw	4419/274	- Link CP
M	4404/528	- Contact Screw	4419/82	- Link
N	4404/67A	- Special Nut	4419/219	- Pin (for Send/Receive Cam Lever)
O	4404/186A	- Special Screw	4419/85	- Pin (for Send/Receive Link)
P	4419/299	- Stop Plate CP	PG7715	- Tension Spring (used on 4419/83)
Q	4419/133A	- Eccentric Bush	PG7716A	- Tension Spring (used on 4419/79)
	4419/200	- Striker Lever CP includes:	PG7717	- Tension Spring (used on 4419/78)
R	4419/83	- Striker Lever	BO7610/1	- 12-way Plug
S	4419/218A	- Roller	4419/288A	- Stop Lever Rack
T	4404/162	- Roller Pivot	4419/308	- Eccentric Anchor Pin
U	4419/87	- Anchor Pin	BO8598/1	- Self Aligning Bearing
V	4419/86	- Spring Anchor	4419/271	- Bearing Retainer
W	4419/131	- Carrier	4419/173	- Contact Cover Bracket
X	PG5205	- Compression Spring	4419/309	- Clamp Plate
Y	4419/221	- Washer (2 per assembly)	R.I.S. ASSEMBLY AND CABLEFORM	
Z	4404/514A	- Striker CP	4404/314	- R.I.S. Assembly includes:
AA	4404/159B	- Striker Pin	4404/316	- R.I.S. Base CP
AB	4404/157A	- Link	BO4045/1	- 1 amp. Inductor } 3 off each per assembly
AC	4404/496	- Contact Dolly	BO5221/1	- Capacitor 470pF }
AD	4404/497A	- Bracket (Rocker Stop)	BO4063A/1	Cable Clip (3 per unit)
AE	4404/493A	- Rocker Plate CP	4419/172C	Contact Block Cover
AF	4419/298	- Plate (Rocker Support)	4419/176A	Special Nut
AG	4419/304	- Anchor Pin	4419/229B	Spring Anchor Pin

2 off each per assembly

Machine Serial Number must be stated when ordering Spare Parts

7-40

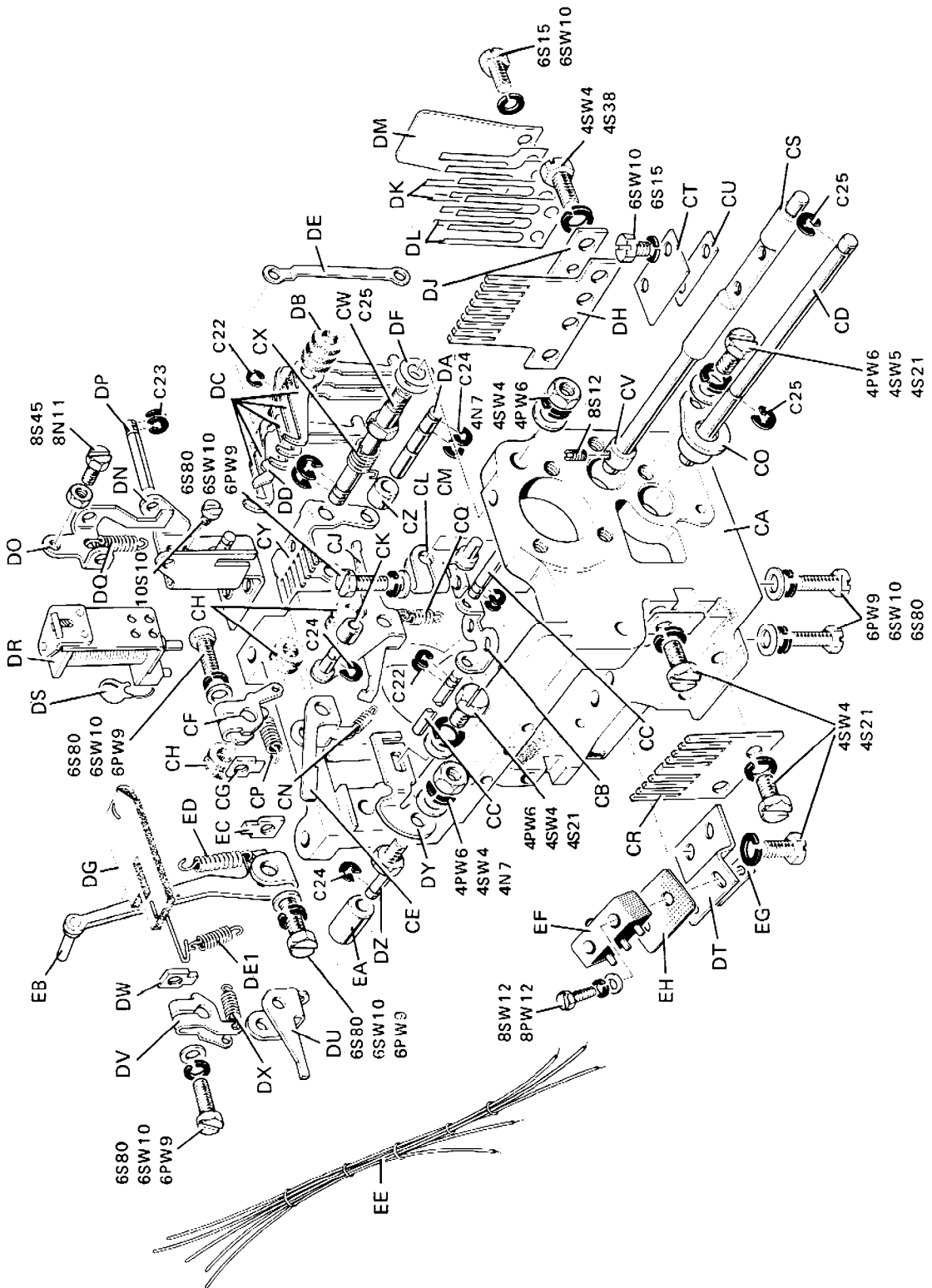


Fig. 7.40 TAPE READER SUB-ASSEMBLY

TAPE READER UNIT S4419A (Continued)

Index Letter	Part No.	Part Name	Index Letter	Part No.	Part Name
CA	4419/222A	Tape Reader Sub Assembly includes:	DE1	PG7854	- Tension Spring
CB	4419/187B	- Main Housing Casting Assembly	DF	PW5232	- Shim (5 per assembly)
CC	4419/113	- Bracket	DG	4419/168B	- Oil Felt CP
	4419/114	- Spring Anchor Pin (2 per assembly)	DH	4419/73	- Rack (Peckers)
ALARM TRIP LEVER ASSEMBLY			DJ	4419/76	- Plate (for Peckers Spring)
	4419/186	- Alarm Trip Lever Assembly includes:	DK	4419/75	- Peckers Spring Blade (2 tines)
CD	4419/63	- Alarm Lever Shaft	DL	4419/74	- Peckers Spring Blade (4 tines)
CE	4419/68A	- Alarm Trip Lever	DM	4419/286A	- Clamp Plate
CF	4419/194	- Clamp Lever Assembly includes:	ELECTROMAGNET ASSEMBLY		
CG	4419/64A	- Clamp Lever	4419/180A		- Magnet Bracket Assembly includes:
CH	PF1113	- Special Nut	4419/118		- Bracket CP
	4419/193	- Felt Washer (10 per assembly)	DO	4419/121	- Magnet Latch Lever
CJ	4419/65	- Magnet Lever Assembly includes:	DP	4419/122A	- Parallel Pin
CK	4412/46	- Magnet Lever CP	DQ	PG7823	- Tension Spring
	4419/204	- Cam Roller	DR	4425/246A	- Electromagnet CP includes:
CL	4419/59A	- Link Lever Assembly includes:	DR	BO5803	- - Magnet
CM	4419/64A	- Link Lever CP	DS	BO5134	- - Resistor (Non-Linear)
CN	PG7719	- Special Nut	ALARM SWITCH ASSEMBLY		
CO	4419/71	- Tension Spring	DT	4419/115	- Alarm Switch Plate
CP	PG7824	- Flanged Bush (3 per assembly)	DU	4419/70	- Start Inhibit Lever
CQ	PG7823	- Tension Spring (used on 4419/194)	4419/194		- Clamp Lever Assembly includes:
CR	4419/72A	- Tension Spring (used on 4419/193)	DV	4419/69A	- Clamp Lever
	4419/256A	- Rack	DW	4419/64A	- Special Nut
CS	4419/248B	- Bail Shaft Sub Assembly includes:	DX	PG7719	- Tension Spring
CT	4419/247	- Bail Shaft	BELT TENSIONER ASSEMBLY		
CU	4419/246	- Bail (Sequential Lever)	4419/322		- Belt Tensioner Assembly includes:
CV	PB4839	- Clamp Plate	DY	4419/321	- Roller Bracket
PECKER CARRIER ASSEMBLY			DZ	4419/159	- Eccentric Pin
	4419/181B	- Pecker Carrier Assembly includes:	EA	4419/160A	- Belt Tensioner
CW	4419/62	- Shouldered Pin	CHANGE-OVER LEVER ASSEMBLY		
CX	PG3340	- Torsion Spring	4419/203A		- Change-Over Lever Assembly includes:
CY	4419/52	- Rack	EB	4419/306	- Lever CP
CZ	4412/46	- Cam Roller	EC	4419/64A	- Special Nut
DA	4419/53A	- Pin	ED	PG7716A	- Tension Spring
DB	4419/166	- Felt Washer (9 per assembly)	CABLE FORM		
DC	4419/51	- Pecker (5 per assembly)	4419/314		- Cableform CP includes:
DD	4419/54B	- Tape-Out Lever CP includes:	EE	4419/217C	- Cableform
DE	4419/293	- Lever CP	EF	BO3993/1	- Microswitch
	4419/58	- Link	EG	4419/116	- Switch Clamp Plate
			EH	4010/492	- Microswitch Insulator

} 2 off each per assembly

Machine Serial Number must be stated when ordering Spare Parts

7.41 7.42 7.43

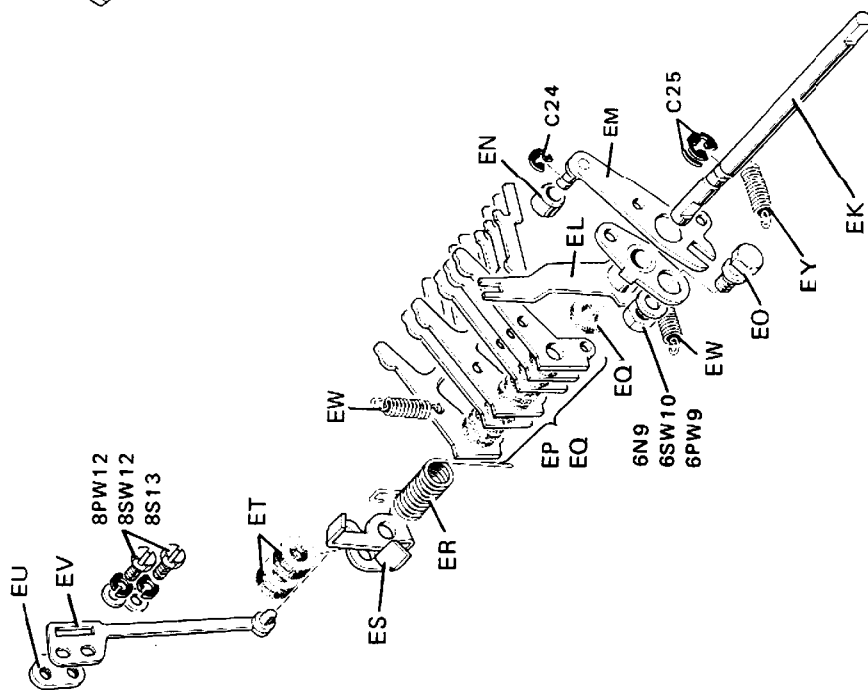


Fig. 7.41 SEQUENTIAL SHAFT ASSEMBLY

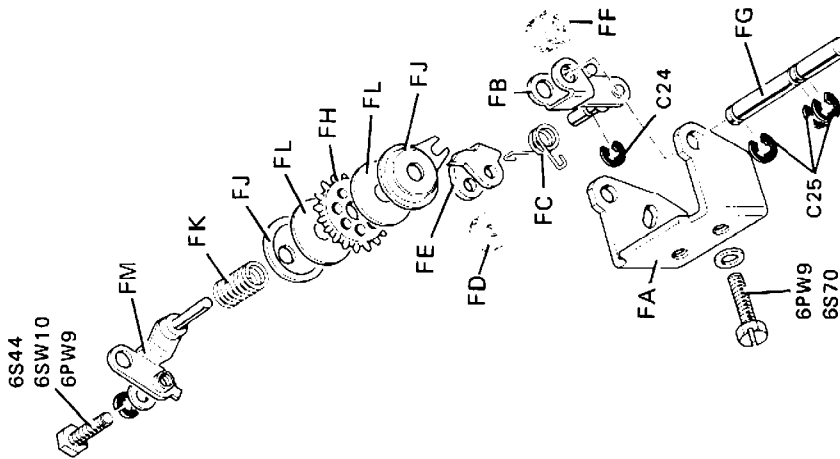


Fig. 7.42 TAPE FEED WHEEL

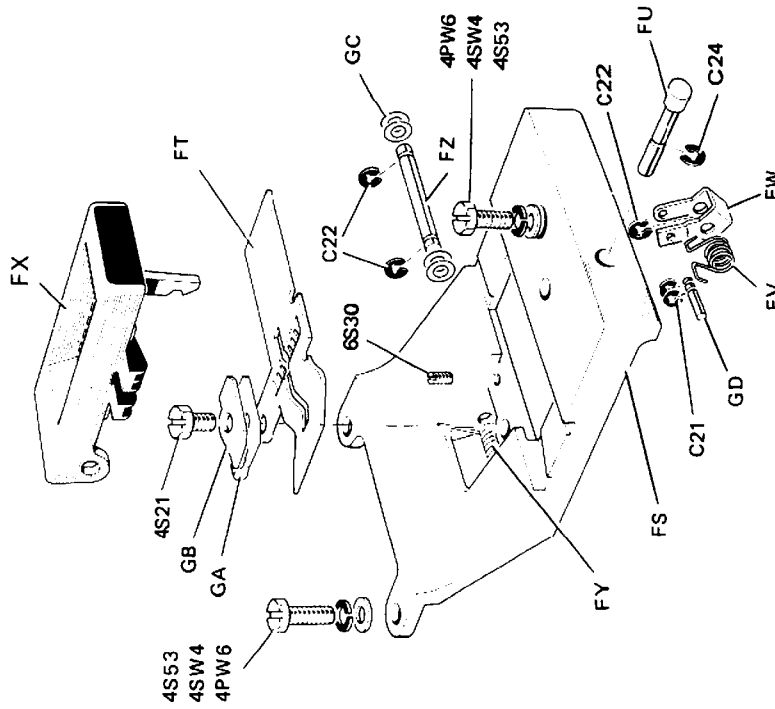


Fig. 7.43 TAPE DECK ASSEMBLY

TAPE READER UNIT S4419A (Continued)

Index Letter	Part No.	Part Name	Index Letter	Part No.	Part Name	Index Letter	Part No.	Part Name
		SEQUENTIAL SHAFT ASSEMBLY			TAPE FEED WHEEL ASSEMBLY			TAPE DECK ASSEMBLY
EK	4419/185B	- Sequential Shaft Assembly includes:	FA	4419/235B	- Tape Feed Wheel Assembly includes:	FS	4419/178B	- Tape Deck Assembly includes:
EL	4419/31	-- Shaft	FB	4419/232D	-- Bracket	FT	4419/196C	-- Tape Deck Sub CP
EM	4419/192B	-- Feed Lever Assembly includes:	FC	4419/195A	-- Feed Pawl Assembly includes:	FU	4419/43D	-- Tape Guide Plate
EN	4419/239B	--- Feed Lever CP	FD	4419/46B	--- Pawl Carrier CP	FV	4419/324	-- Release Button
EO	4419/35A	--- Feed Cam Lever CP	FE	PG3341C	--- Torsion Spring	FW	PG3455A	-- Torsion Spring
EP	4412/46	--- Cam Roller	FF	PF1116	--- Felt Washer	FX	4419/323	-- Latch
ER	4419/264A	--- Special Screw Eccentric	FG	4419/50A	--- Pawl	FY	4419/109C	-- Tape Gate
ES	4419/32A	-- Sequential Lever (6 per assembly)	FH	PF1113	-- Felt Washer (2 per assembly)	FZ	PG3351	-- Torsion Spring
ET	4419/166	-- Sequential Lever (10 per assembly)	FJ	4419/228B	-- Feed Wheel Shaft	GA	4419/110	-- Parallel Pin
EU	PG3342B	-- Torsion Spring	FK	4419/44A	-- Feed Wheel	GB	4419/276	-- Leaf Spring
EY	4419/33	-- Alarm Stop Lever	FL	4419/234A	-- Damping Plate (2 per assembly)	GC	4419/277	-- Plate
	4419/166	-- Felt Washer (4 per assembly)	FM	PG5207B	-- Compression Spring	GD	PW5803	-- Shim (0.005 in.) 3 max.
	4419/290	- Link CP includes:		PW5934	-- Washer (2 per assembly)		4419/325	-- Pin
	4419/287	-- Link Adjusting Plate		4419/284	-- Stoo Plate CP			
	4419/37A	-- Link Sub CP						
	PG7723A	- Tension Spring (3 per assembly)						
	PG7715	- Tension Spring						
	PG7864	- Tension Spring (3 per assembly)						

Machine Serial Number must be stated when ordering Spare Parts

TAPE READER UNIT S4419A (Continued)

Index Letter	Part No.	Part Name	Part No.	Part Name
CAMSHAFT ASSEMBLY				
	4419/183B	- Camshaft Assembly <i>includes:</i>		
GH	4419/1B	-- Camshaft	PF1113	-- Felt Washer (4 per assembly)
GJ	808404/1	-- Bearing (2 per assembly)	4419/191A	-- Clutch Lever Reset Assembly <i>includes:</i>
GK	4419/5C	-- Cam Sleeve	4419/29B	-- Clutch Reset Lever CP
GL	4419/8	-- Key (2 per assembly)	4419/29	-- Reset Alarm Stop Lever
GM	PG5201	-- Compression Spring (outer)	4412/46	-- Cam Roller
GN	PG5202	-- Compression Spring (inner)	4419/220	-- Oil Felt
GO	4419/12A	-- Ratchet Clutch	PG3343	-- Compression Spring
GP	4419/13	-- Clutch Friction Flange	PW5232	-- Shim
GQ	4419/10	-- Felt Washer	PG7703A	- Tension Spring
GR	4419/11B	-- Clutch	PW5760	- Shim (as required)
GS	803854/3	-- Thrust Bearing	KEY BRACKET ASSEMBLY	
GT	4419/281A	-- Spacer and End Cover <i>includes:</i>	4419/179A	- Key Bracket Assembly <i>includes:</i>
GU	4419/282	--- End Cover	4419/92B	-- Bracket
GU	4419/257	--- Spacer	4419/278	-- Start Trip Lever CP
GW	808572/3	-- Retaining Washer (4 per assembly)	4419/101A	-- Stop Reset Lever
GX	4419/258	-- Needle Cage Bearing (ref. INA k6/10) 2 per assembly	4419/99A	-- Keyboard Inhibit Lever
GY	4419/259A	-- Felt Strip	4419/97A	-- Start Key Latch Lever
GZ	808230/2	-- Felt Washer	PG3353	-- Torsion Spring
HA	4419/7	-- Circlip	PG3354	-- Torsion Spring
HB	4419/3A	-- Cam Spacer (2 per assembly)	4419/98	-- Collar
HC	4419/6	-- Send/Receive Cam	4419/95	-- Parallel Pin } 2 off each assembly
HD	4419/4A	-- Cam Spacer (2 per assembly)	4419/188	-- 'ON' Key Lever Assembly <i>includes:</i>
HE	4419/2	-- Delay Disk Cam	4419/94	--- Eccentric Pin
HF	4419/19	-- Striker Cam	4419/189A	-- 'OFF' Key Lever Assembly <i>includes:</i>
HG	4419/319	-- Retaining Ring (2 per assembly)	4419/295	--- Eccentric Pin
HH	4419/14A	- Belt	PG3344	-- Torsion Spring (2 per assembly)
HJ	4419/320	- Bearing Retaining Plate	4419/103	-- Parallel Pin
HK	4419/255	- Plate (Belt Guide)	4419/279	-- Switch Lever
HL	4419/253	- Cam Lubricator CP	4419/280	-- Clamp Bolt
HM	4419/112B	- Backing Plate	PG3454	-- Torsion Spring
CLUTCH TRIP LEVER ASSEMBLY				
	4419/184A	- Tape-On Switch Bracket	PG7851	-- Tension Spring
HN	4419/21C	- Clutch Trip Lever Assembly <i>includes:</i>	CABLEFORMS	
HO	4419/23	-- Shouldered Pin	4419/315	Cableform CP <i>includes:</i>
HO1	PW5946	-- Clutch Stop Lever	803993/1	- Microswitch
		-- Special Washer	4419/238A	- Cableform
			4010/492	- Insulator (2 per unit)

Machine Serial Number must be stated when ordering Spare Parts

7.45

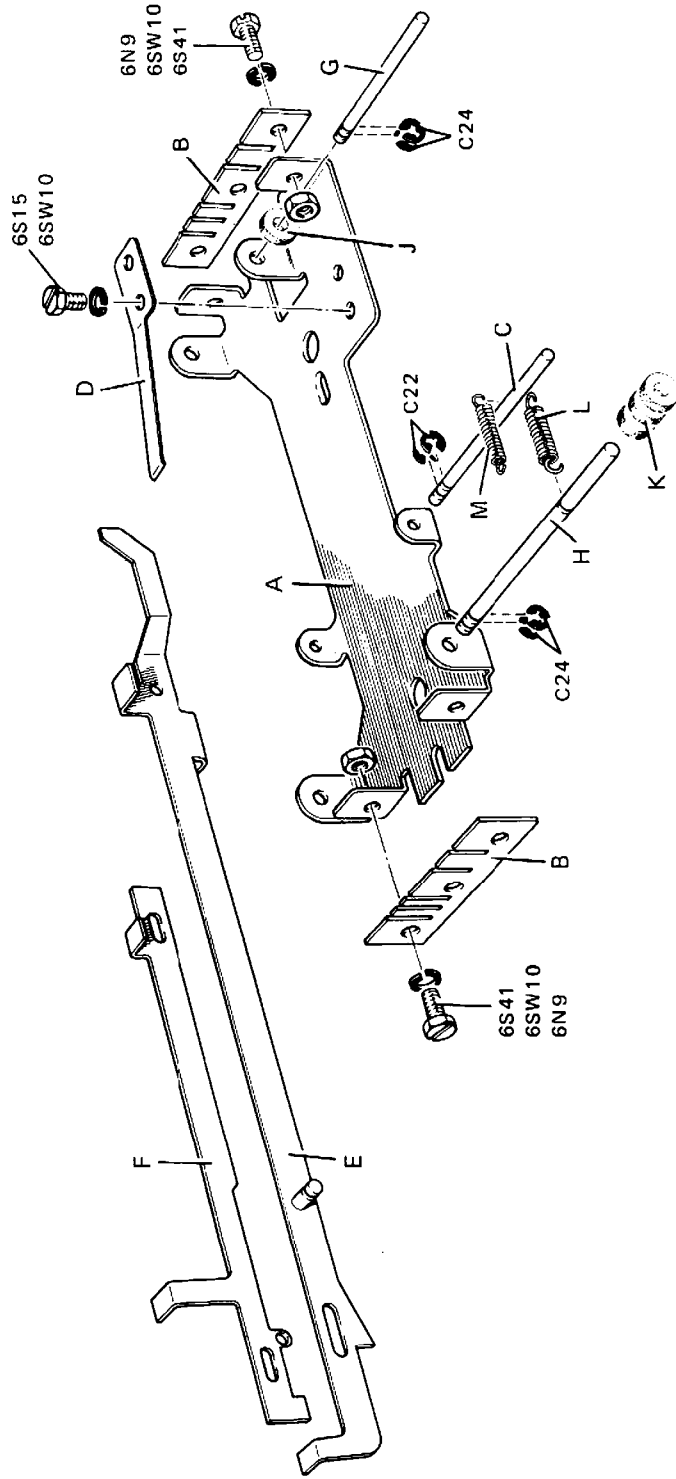


Fig. 7.45 PULL BAR UNIT

PULL BAR UNIT S4420

Index Letter	Part No.	Part Name
A	4420/5	Rack Tray
B	4420/2	Pull Bar Rack (2 per unit)
C	4420/10A	Spring Anchor Bar
D	4420/9A	Carriage Return Leaf Spring
E	4420/8	Carriage Return Bar CP
F	4420/7A	Trip Bar
G	4420/3A	Support Pin
H	4420/1A	Support Shaf:
J	PF1212	Oil Felt
K	PF1115	Oil Felt (3 per assembly)
L	PG7750	Carriage Return Pull Bar Spring
M	PG7751	Trip Bar Spring

Machine Serial Number must be stated when ordering Spare Parts

7.46

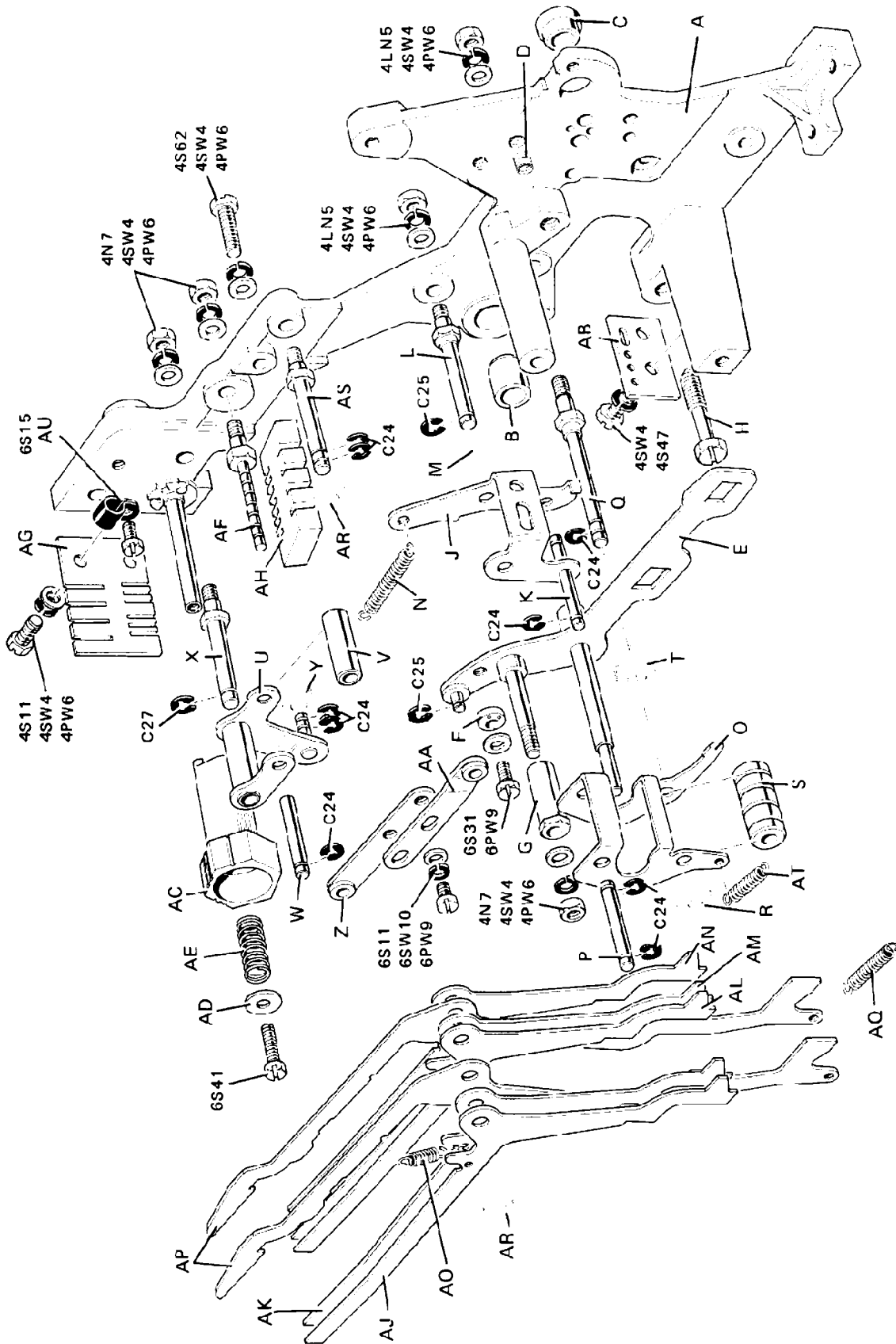


Fig. 7.46 TAPE PUNCH UNIT PARTIAL ASSEMBLY

TAPE PUNCH UNIT S4425A

Index Letter	Part No.	Part Name	Index Letter	Part No.	Part Name
A	4425/95B	Punch Unit Casting CP <i>includes:</i>	W	4425/68	- Roller Pivot
B	4425/10D	- Punch Unit Casting	X	4425/80B	- Reset Frame Pivot
C	4412/6	- Bearing Bush	Y	4413/58	Felt Washer
D	4425/7B	- Bearing Bush		4425/442A	Reset Link Assembly <i>includes:</i>
DRIVE ARM	BO8283/28	- Helix-Coil Insert (4BA)	Z	4425/443	- R.H. Reset Link CP
			AA	4425/444A	- L.H. Reset Link CP
E	4425/270A	Drive Arm Assembly <i>includes:</i>	AB	4425/378	Spring Anchor Plate
F	4425/32A	- Drive Arm CP	MANUAL CONTROL		
G	4425/36C	- Latch Reset Ring	AC	4425/39B	Manual ON/OFF Control
H	4425/82A	Reset Sleeve	AD	4425/381	Washer
SUPPRESSION MECHANISM	4425/251A	Special Bolt (2 per assembly)	AE	PG5212	Compression Spring
			AF	4425/101A	Spring Anchor
J	4425/269A	Suppression Frame Assembly <i>includes:</i>	CODE BARS		
K	4425/84C	- Punch Suppression Frame	AG	4425/46A	Transfer Bar Rack
L	4425/83A	- Anvil Return Pin	AH	4425/107B	Rack
M	4425/81B	- Suppression Lever Pivot	AJ	4425/284A	Code Reading Bar No. 1
N	4412/24	- Oil Felt	AK	4425/285A	Code Reading Bar No. 2
O	PG774B	Tension Spring	AL	4425/286A	Code Reading Bar No. 3
P	4425/271	Suppression Latch Assembly <i>includes:</i>	AM	4425/287A	Code Reading Bar No. 4
Q	4425/73A	- Punch Suppression Latch	AN	4425/288A	Code Reading Bar No. 5
R	4425/72	- Latch Pin	AO	PG7770	Tension Spring (5 per unit)
S	4425/70	- Suppression Latch Pivot	AP	4425/85B	Punch Suppression Lever } 2 off each per unit
T	4412/24	- Oil Felt	AQ	PG7771	Tension Spring
U	4425/69A	- Suppression Lever Rack	AR	4404/85	Felt Washer (3 per unit)
V	4425/89	- Oil Felt	AS	4425/43	Reading Bar Pivot
	4425/96B	Suppression Reset Bail CP <i>includes:</i>	AT	PG7776	Tension Spring
	4425/18A	- Reset Frame CP	AU	BO4063A/1	Cable Clip
	4425/40	- Reset Roller			

Machine Serial Number must be stated when ordering Spare Parts

7.48
7.49

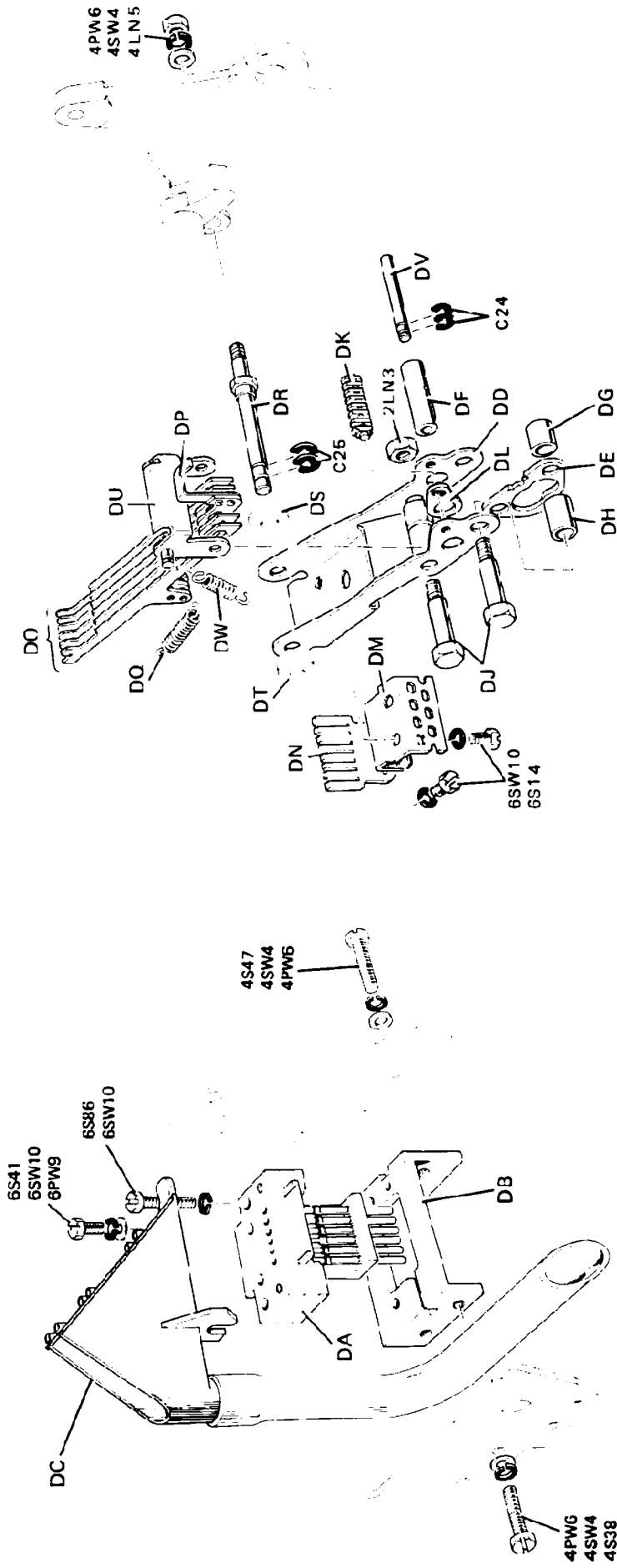


Fig. 7.49 TAPE PUNCH UNIT (ANVIL BAR ASSEMBLY)

Fig. 7.48 TAPE PUNCH BLOCK AND CUTTINGS CHUTE

TAPE PUNCH UNIT S4425A (Continued)

Index Letter	Part No.	Part Name	Part No.	Part Name
		COVER PLATE ASSEMBLY		
	4425/255C	Cover Plate Assembly <i>includes:</i>	4425/363	- ON/OFF Remote Control Lever
	4425/254B	- Cover Plate 2nd Assembly <i>includes:</i>	4425/241A	- Reset Link
	4425/237D	-- Cover Plate CP <i>includes:</i>	4425/89	- Oil Felt (2 per assembly)
	4425/238G	... Cover Plate	4425/240A	- Reset Pivot Pin
EA	4425/218B	... Bearing Bush	4425/249B	- Reset Arm CP
EB	4425/242A	-- Remote Control Off Lever	4425/231	ON/OFF Remote Control Latch
EC	4425/219B	-- Control Bar Rack (2 per assembly)	PG7767	Tension Spring
ED	4425/239	-- Feed Shaft Outer Bush	PG7454B	Tension Spring
EE	4425/234	-- Latch Pivot (2 per assembly)		
EF	4425/256	-- Spring Anchor		
EG	4425/257B			
		PRESSURE ROLLER BRACKET		
	4425/220B	Pressure Roller Bracket Assembly <i>includes:</i>	4425/258B	Cableform 2nd Assembly <i>includes:</i>
EH	4425/421	- Pressure Roller Bracket	4425/258B	- Cableform 1st Assembly <i>includes:</i>
EJ	4425/214D	- Pressure Roller	BO3993/1	- Miniature Microswitch (Honeywell Type 11SM1 - T)
EK	4425/215	- Pressure Roller Pivot	4425/246A	- Magnet CP <i>includes:</i>
EL	4425/217A	- Pivot Pin	BO5803	... Magnet
EM	PG3350A	- Pressure Roller Spring	BO5134	... Non-Linear Resistor
EN	4425/244A	Spring Anchor (2 per assembly)	BO7644/1	- 4 way Plug (Painton Series 159-Special)
		TAPE GUIDE ASSEMBLY	4425/228B	- Magnet Bracket
	4425/407A	Tape Guide Assembly <i>includes:</i>	4425/221D	- Switch Bracket
EO	4425/615A	Tape Guide Bracket CP	4010/492	- Microswitch Insulator
EP	4425/628	Tape Guide 1st Assembly	4425/301B	- Microswitch Auxiliary Actuator
ON/OFF CONTROL	4425/239B	ON/OFF Control Lever Assembly <i>includes:</i>	4425/245	Locating Dowel Sleeve
			BO4063A/1	Cable Clip
			4425/226	Floating Plug Adaptor
			4425/229	Magnet Push Rod
			4425/608	Stop Pin

Machine Serial Number must be stated when ordering Spare Parts

7.51

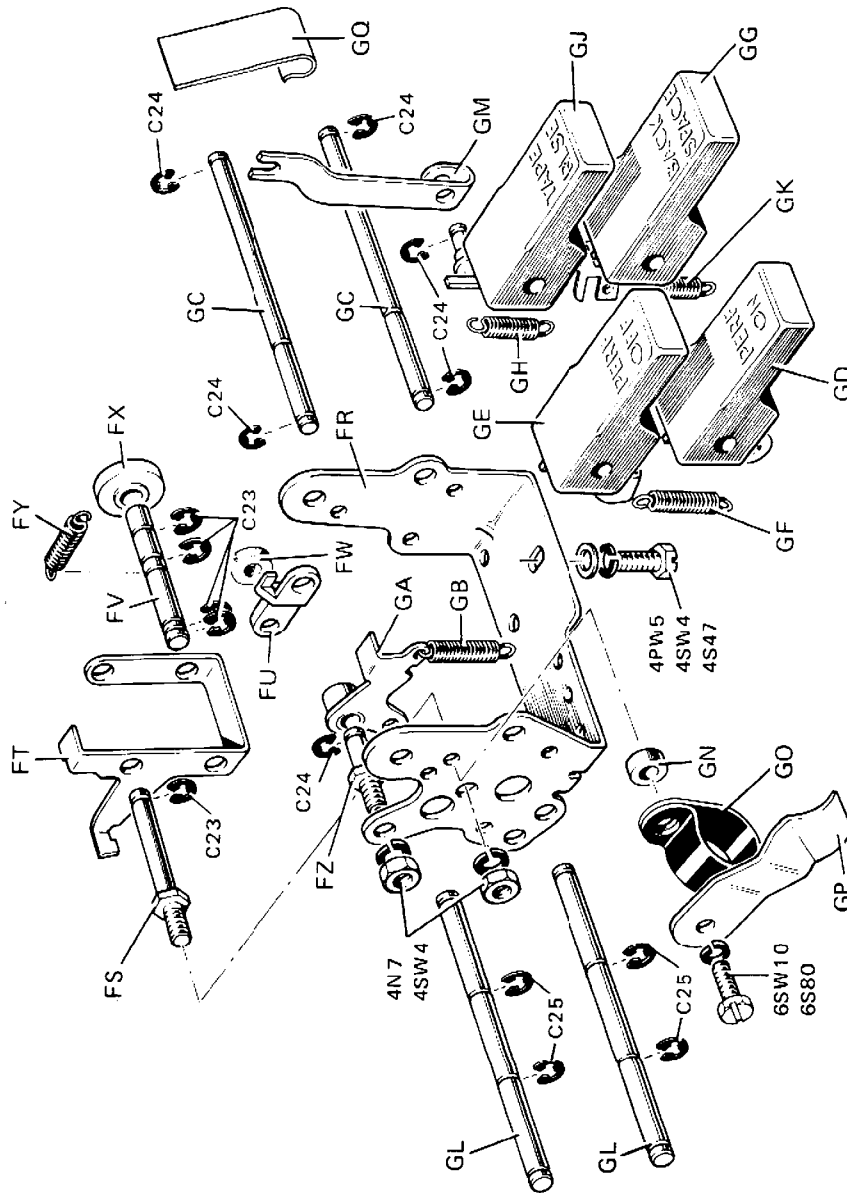


Fig. 7.51 TAPE PUNCH UNIT BUTTON ASSEMBLY

TAPE PUNCH UNIT S4425A (Continued)

Index Letter	Part No.	Part Name
	BUTTON ASSEMBLY	
	4425/201	Punch Unit Button Assembly <i>includes:</i>
FR	4425/171	- Button Bracket
	4425/178	- ON/OFF Latch Lever Assembly <i>includes:</i>
FS	4425/182	-- Latch Lever Pivot
FT	4425/184A	-- ON/OFF Latch Lever
FU	4425/173	-- ON Link
FV	4425/180	-- Clutch Operating Rod
FW	4425/89	-- Oil Felt
FX	4425/172	-- Roller
FY	PG7783	- Tension Spring
FZ	4425/181	- ON Latch Pivot
GA	4425/191	- ON Latch CP
GB	PG7779	- Tension Spring
GC	4425/183	- Button Stop (2 per assembly)
GD	4425/196	- Perforator ON Key
GE	4425/195A	- Perforator OFF Key
GF	PG7780	- Tension Spring
GG	4425/192	- Back Space Key
GH	PG7781	- Tension Spring
GJ	4425/188B	- Tape Release Key
GK	PG7782	- Tension Spring
GL	4425/179	- Button Pivot Pin (2 per assembly)
GM	4425/186	- Retention Release Lever
GN	4425/250	Spacer
GO	BO4063A/7	Cable Clip
GP	4425/283	Deflector
GQ	4425/626	Spring (Button Unit)

Machine Serial Number must be stated when ordering Spare Parts

7.52

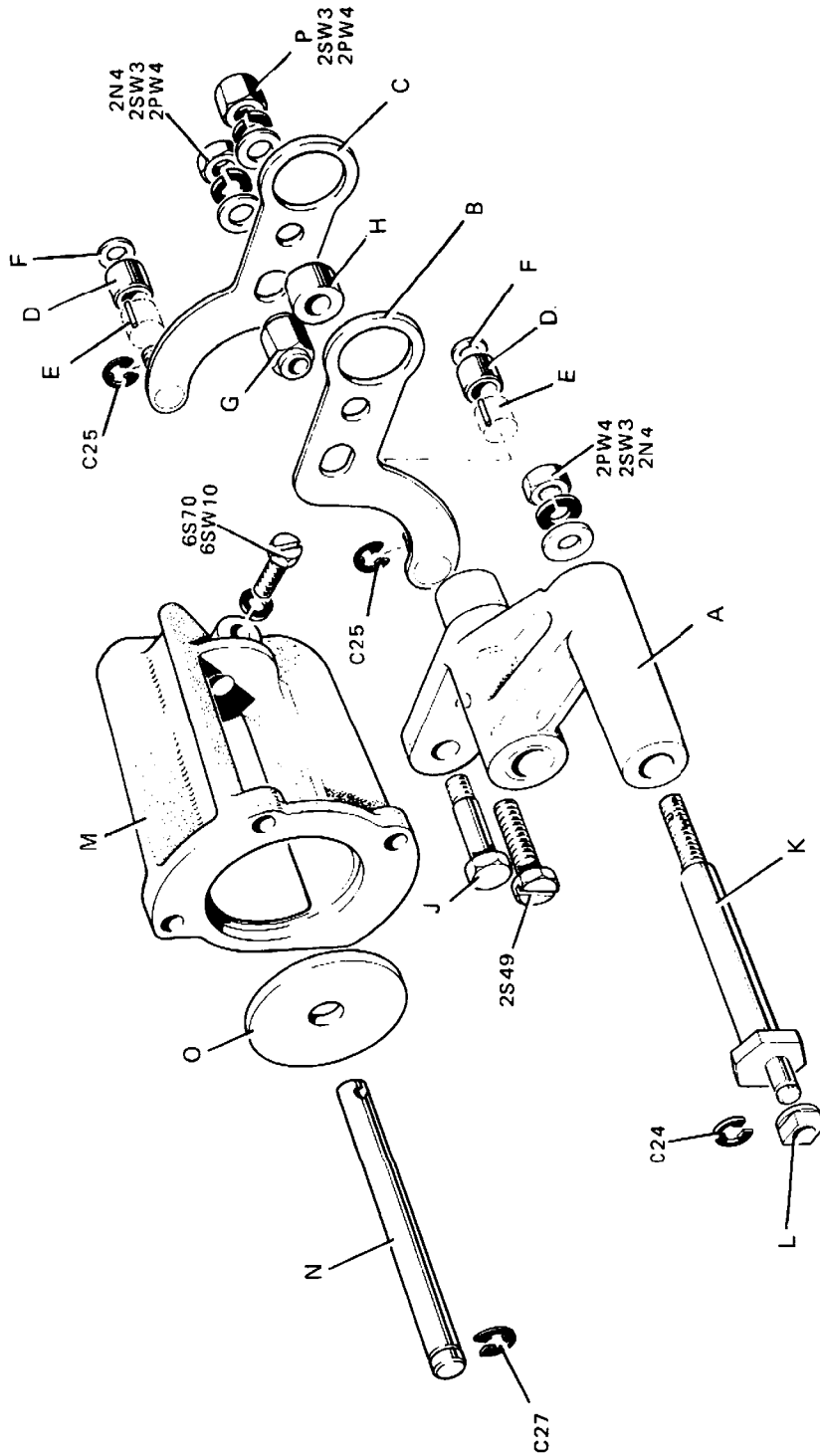


Fig. 7.52 TAPE PUNCH UNIT DRIVE ARM ASSEMBLY

TAPE PUNCH UNIT DRIVE ARM ASSEMBLY 4425/140A

Index Letter	Part No.	Part Name
A	4425/139B	Drive Crank CP
	4425/125	R. H. Cam Lever Assembly
	4425/127	L. H. Cam Lever Assembly
B	4425/137	- R. H. Cam Lever CP
C	4425/135	- L. H. Cam Lever CP
D	4412/42A	- Reset Bail Cam Roller
E	BO8582/2	- Needle Roller (17 per CP)
F	4412/44	- Retaining Washer
G	4425/129B	Cam Lever Eccentric
H	4425/128	Cam Lever Spacer
J	4425/138	Cam Lever Bolt
K	4425/441	Eccentric Pin
L	4425/23A	Trunnion Block
M	4425/134B	Cam Lever Bracket
N	4425/130A	Drive Crank Pivot
O	4425/132A	Shaft Retaining Plate
P	PN5081	Special Nut

} includes:

Machine Serial Number must be stated when ordering Spare Parts

7.53

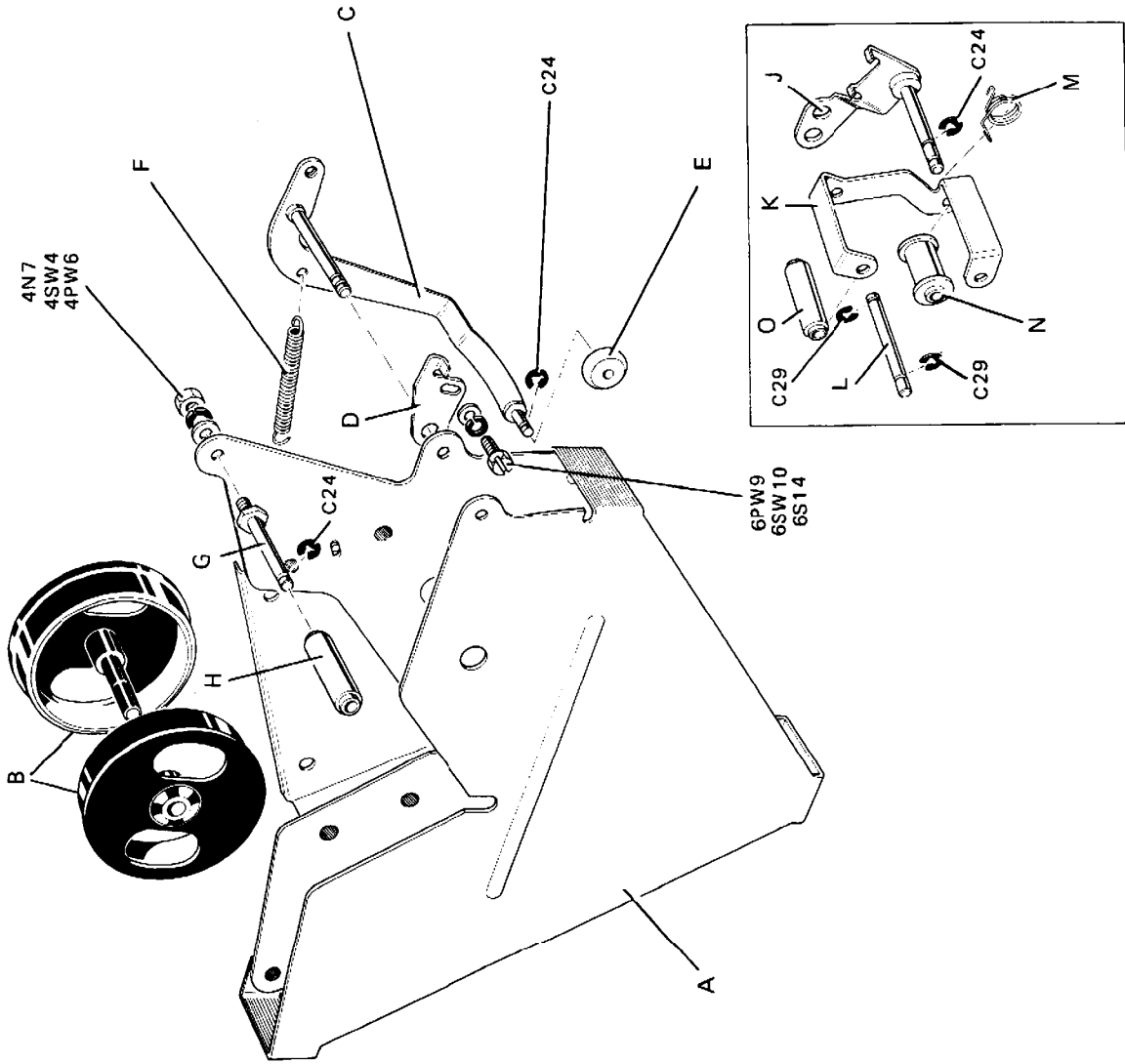


Fig. 7.53 TAPE REEL HOLDER AND SNATCH ROLLER

TAPE REEL HOLDER 4425/568

Index Letter	Part No.	Part Name
A	4425/569	Tape Reel Holder CP (for 1 1/16 in. wide tape)
B	4425/631	Tape Reel Centre CP (for 1 1/16 in. wide tape)
TAPE OUT LEVER		
C	4425/574	Tape Out Lever Assembly includes:
D	4425/575	- Tape Out Lever 2nd CP
E	4425/159A	- Switch Operating Arm
F	4425/142A	- Roller
	PG7775B	Tension Spring
G	4425/156	Roller Pivot Assembly includes:
H	4425/144	- Roller Pivot
	4425/153	- Tape Roller
SNATCH ROLLER ASSEMBLY		
J	4425/393	Snatch Roller Bracket Assembly includes:
K	4425/397	- Roller Bracket CP
L	4425/394	- Snatch Roller Bracket
M	4425/617	- Roller Pin
N	PG3400A	- Tape Tension Spring
O	4425/396	- Roller
	4425/153	- Roller

Machine Serial Number must be stated when ordering Spare Parts

7.54

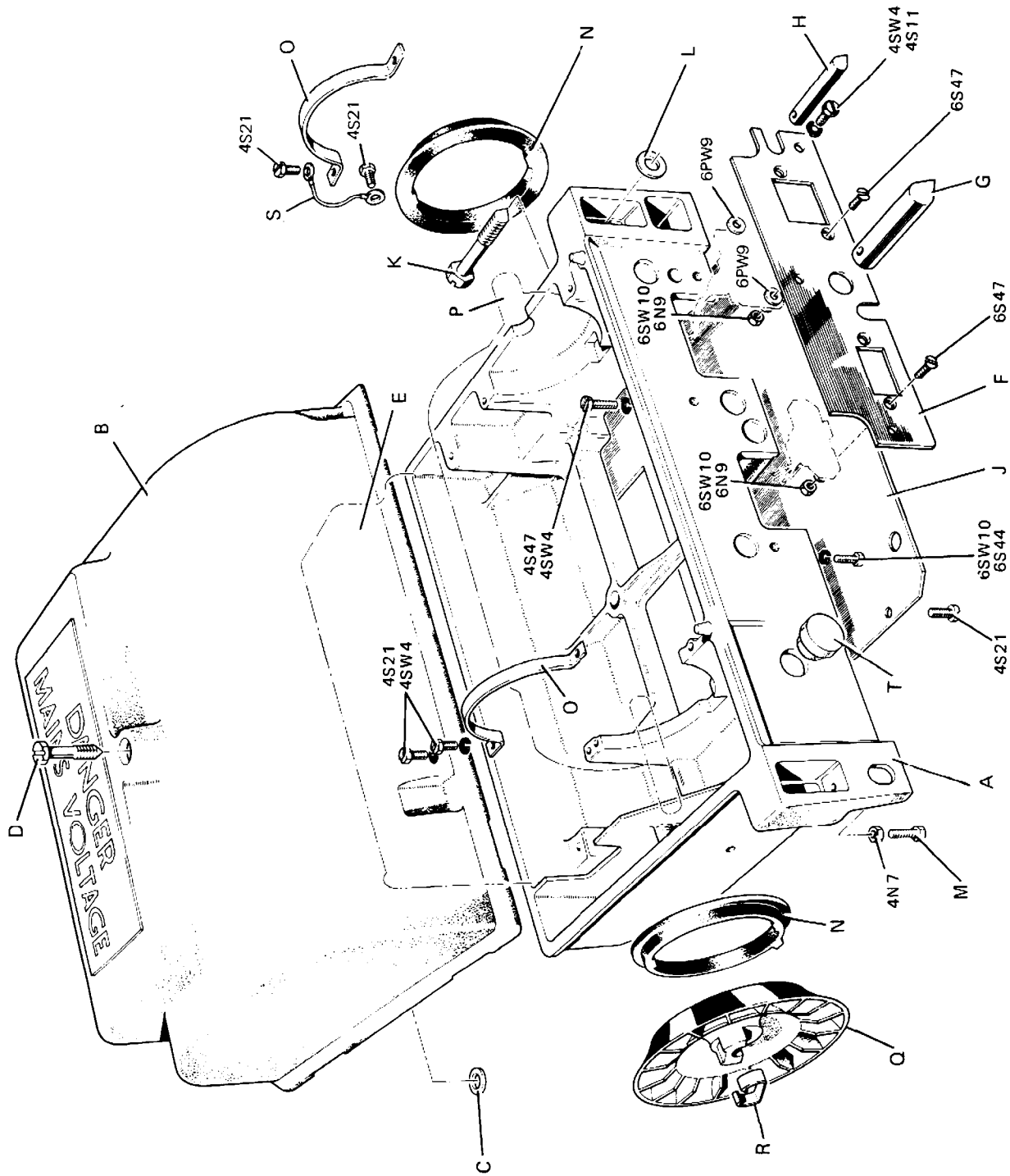


Fig. 7.54 SYNCHRONOUS MOTOR UNIT

S4209A	SYNCHRONOUS MOTOR UNIT	(230/240V a.c. 30W 50Hz 3000 REV/MIN)
AS4209	SYNCHRONOUS MOTOR UNIT	(230/240V a.c. 30W 60Hz 3600 REV/MIN)
BS4209	SYNCHRONOUS MOTOR UNIT	(230/250V a.c. 30W 50Hz 3000 REV/MIN)
DS4209	SYNCHRONOUS MOTOR UNIT	(200/220V a.c. 30W 50Hz 3000 REV/MIN)
ES4209A	SYNCHRONOUS MOTOR UNIT	(110/125V a.c. 30W 50Hz 3000 REV/MIN)
FS4209	SYNCHRONOUS MOTOR UNIT	(110/120V a.c. 30W 60Hz 3600 REV/MIN)
GS4209	SYNCHRONOUS MOTOR UNIT	(220V a.c. 30W 60Hz 3600 REV/MIN)

Index Letter	Part No.	Part Name
A	4209/2B	Motor Unit Base
B	4209/57A	Motor Unit Cover CP includes:
C	PW5840	- Retaining Washer
D	PS7157	- Cover Screw
E	4209/14B	Component Panel CP (fitted to S4209A, AS4209, BS4209 and DS4209)
	4209/77A	Component Panel CP (fitted to ES4209A and FS4209)
F	4209/11B	Plug Mounting Plate
G	PP8141	Unit Dowel Pin
H	PP8142	Socket Plate Dowel Pin
J	4209/27	Base Plate CP
K	PS7156	Motor Unit Screw
L	PW5838	Retaining Washer
M	PS5032	Special Screw
N	4209/4	Motor Mounting Collar
O	4209/8	Motor Strap
P	MR656/0102	SYNCHRONOUS MOTOR (230/240V a.c. 30W 50Hz 3000 REV/MIN)
	MR656/0103	SYNCHRONOUS MOTOR (230/240V a.c. 30W 60Hz 3600 REV/MIN)
or	VR656/0302	SYNCHRONOUS MOTOR (230/250V a.c. 30W 50Hz 3000 REV/MIN)
or	MR656/0202	SYNCHRONOUS MOTOR (200/220V a.c. 30W 50Hz 3000 REV/MIN)
or	MR656/1202	SYNCHRONOUS MOTOR (110/125V a.c. 30W 50Hz 3000 REV/MIN)
or	MR656/0903	SYNCHRONOUS MOTOR (110/120V a.c. 30W 60Hz 3600 REV/MIN)
or	MR656/0703	SYNCHRONOUS MOTOR (220V a.c. 60Hz 3600 REV/MIN)
Q	4283/6	Motor Fan
R	BO8255/1	Spire Nut
S	CT1273	Earth Connector CP
T	RB1059	Rubber Stop (fitted to machines less Motor Control Switch)

Machine Serial Number must be stated when ordering Spare Parts

7.55

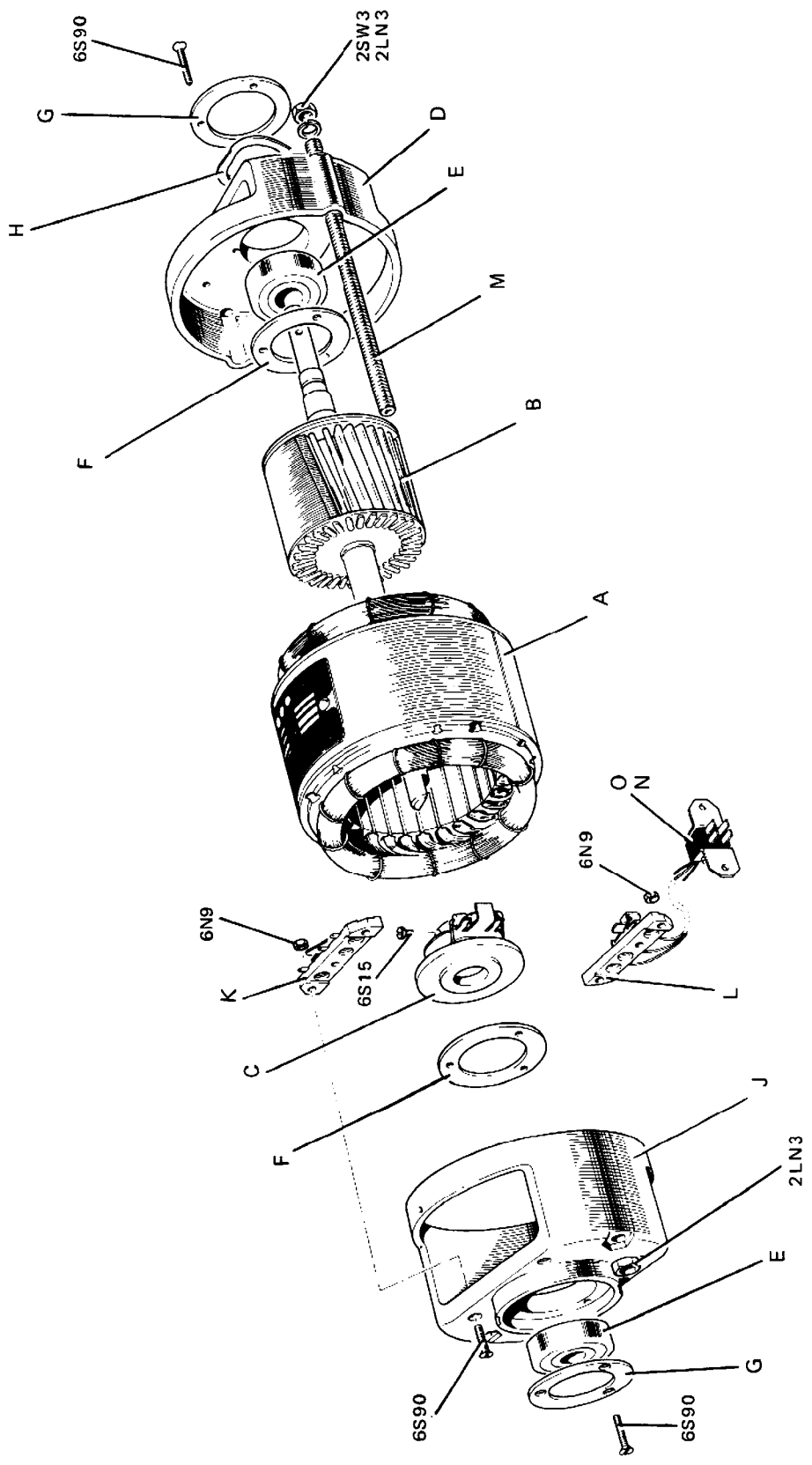


Fig. 7.55 SYNCHRONOUS MOTOR

SYNCHRONOUS MOTOR REF. 656

Index Letter	Part No.	Part Name
A	4207/23	Stator CP (for 230/240V a.c. 30W 50Hz 3000 REV/MIN motors)
	or A4207/23	Stator CP (for 230/240V a.c. 30W 60Hz 3600 REV/MIN motors)
	or 4207/23	Stator CP (for 230/250V a.c. 30W 50Hz 3000 REV/MIN motors)
	or A4207/23	Stator CP (for 200/220V a.c. 30W 50Hz 3000 REV/MIN motors)
	or C4207/23	Stator CP (for 220V a.c. 30W 60Hz 3600REV/MIN motors)
	or 4209/71A	Stator CP (for 110/125V a.c. 30W 50Hz 3000 REV/MIN motors)
	or 4494/16	Stator CP (for 110/120V a.c. 30W 60Hz 3600 REV/MIN motors)
B	4207/38	Rotor CP
C	BO7299/1	Switch Mechanism
D	4207/3	Drive End Casting
E	BO8406/1	Ball Bearing (BS292 Ref. BRL 012)
F	4207/16	Bearing Clamp Plate
G	4207/17	Bearing Cap
H	4207/18	Pre-Load Waved Washer
J	4207/5	Switch End Motor Cover
K	4228/50	Switch Final Assembly
	GRP1	
L	4228/50	Switch Final Assembly
	GRP2	
M	4207/14	Tie Bar (2 per unit)
N	CD2111	Plug and Cableform CP includes:
O	BO7644/1	. 4-way Plug (Painton Series 159--Special)

} 2 off each per unit

Machine Serial Number must be stated when ordering Spare Parts

7.56

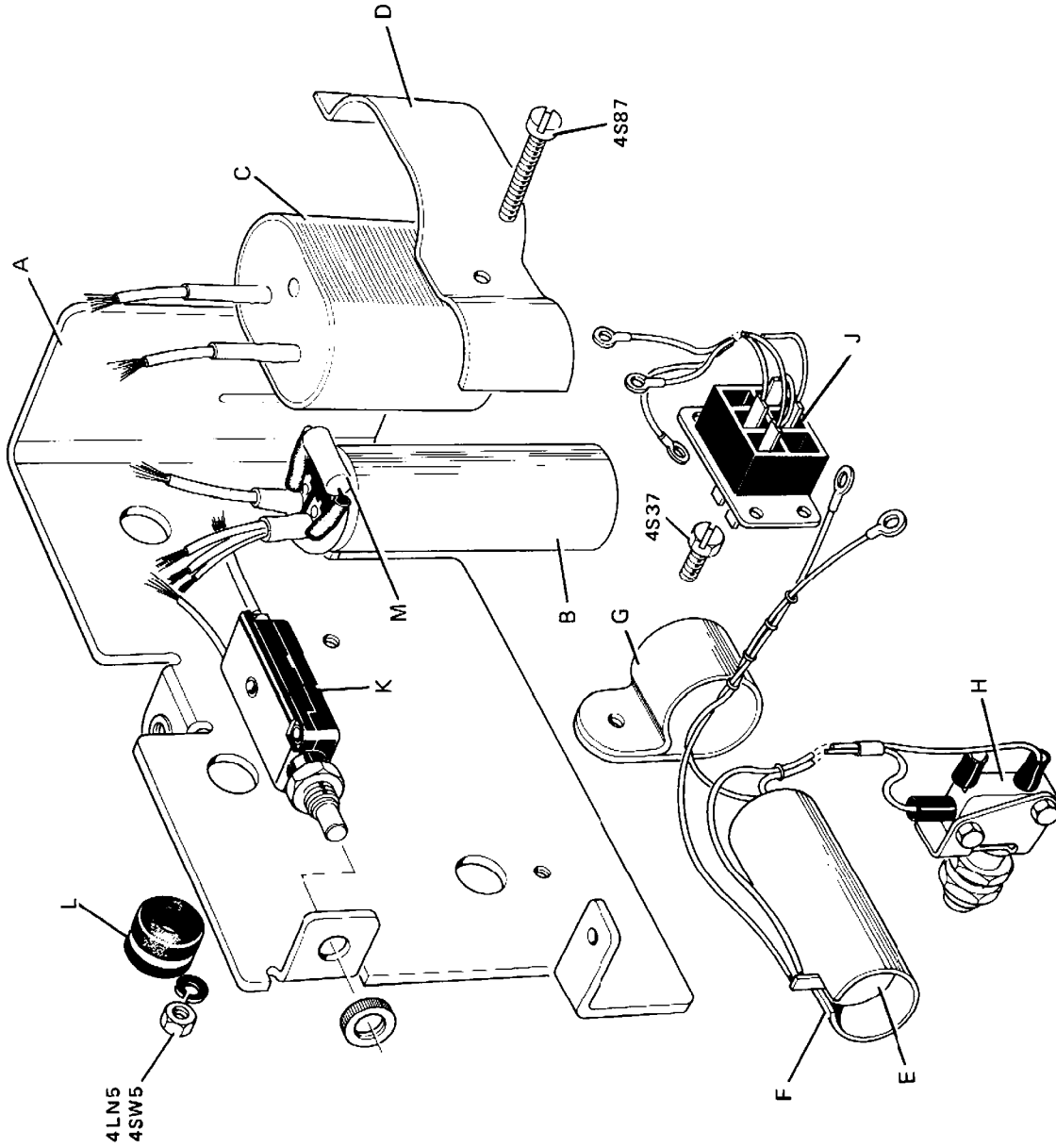


Fig. 7.56 SYNCHRONOUS MOTOR UNIT COMPONENTS PANEL

SYNCHRONOUS MOTOR (continued)

Index Letter	Part No.	Part Name
A	4209/14B	Components Panel CP
B	BO4122/3	Capacitor 15 μ F \pm 30% RMS (fitted to S4209A, AS4209, BS4209, DS4209, GS4209)
	or	Capacitor 64 -- 72 μ F (fitted to ES4209A and FS4209)
C	BO4092A/11	Capacitor 2 μ F \pm 15% 440V (fitted to S4209A, AS4209, BS4209 and GS4209)
	or	Capacitor 2.5 μ F \pm 15% 440V (fitted to DS4209)
	or	Capacitor 7.75 μ F (fitted to ES4209A and FS4209)
D	4209/75B	Capacitor Clamp (fitted to S4209A, AS4209, BS4209, DS4209 and GS4209)
	or	Capacitor Clamp
	or	Capacitor Clamp } fitted to ES4209A and FS4209
	PK1210	Capacitor Clamp
	4209/15	Spacer
MOTOR ON/OFF SWITCH		
E	4209/79	Motor On/Off Switch Assembly includes:
F	BO2659	- Capacitor 0.1 μ F \pm 40% 1.5kv
G	PE1156	- Insulating Sleeve
H	BO4063A/10	- Cable Clip
	BO7225A/1	- Microswitch CP
J	CD2114A	Plug and Cableform CP includes:
	BO7646/1	- 4-way Special Multicon Plug
THERMAL CUT-OUT		
K	BO7421/8	Thermal Cut Out (fitted to S4209A, AS4209, BS4209, DS4209, GS4209)
	or	Thermal Cut Out (fitted to ES4209A, FS4209)
L	BO7801/5	Grommet
M	BO3549/8	Resistor 3.3k.

Machine Serial Number must be stated when ordering Spare Parts

7.57

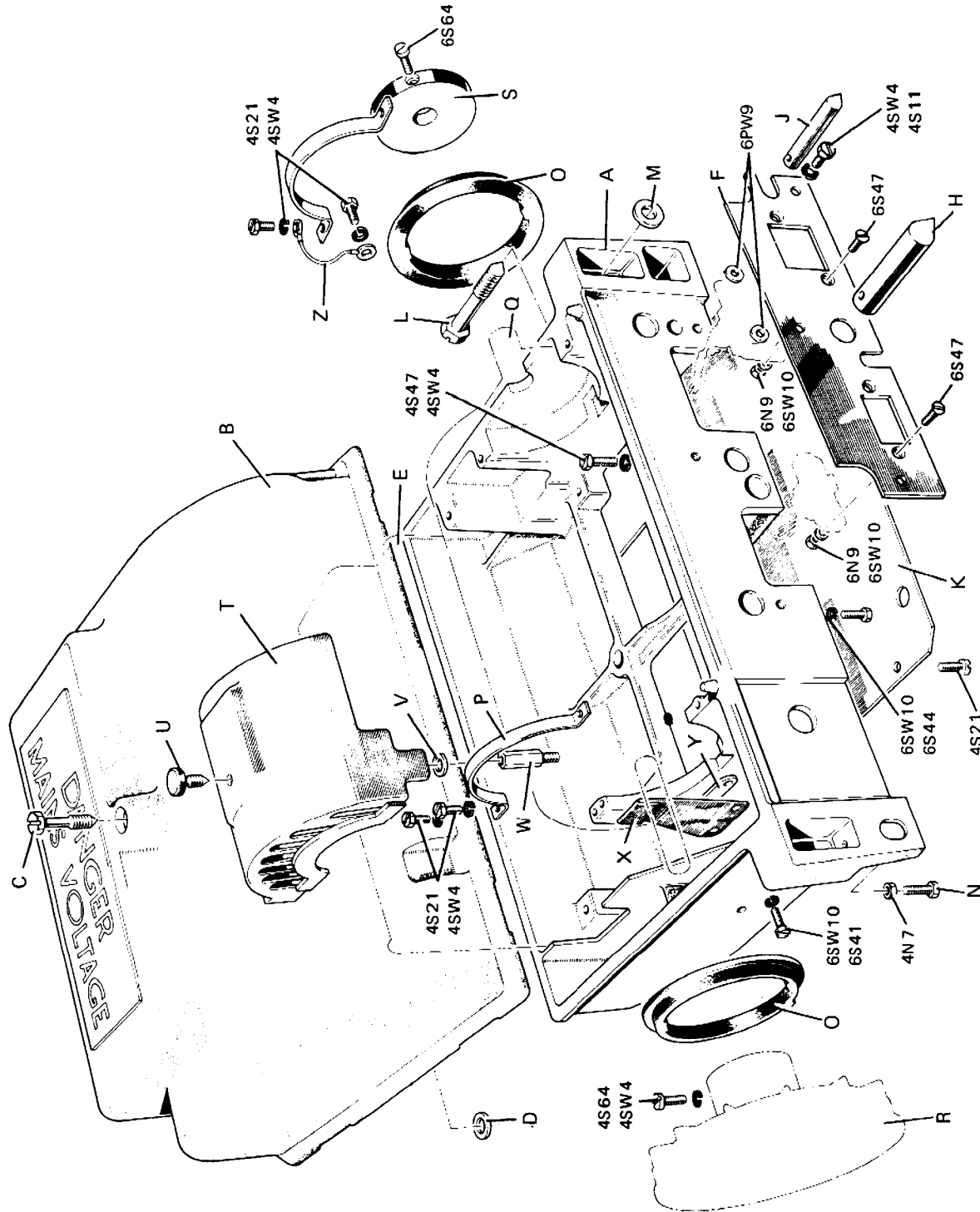


Fig. 7.57 GOVERNED MOTOR UNIT

CS4214 for 110/120V a.c. 50Hz supply
 BS4214 for 230/240V a.c. 60Hz supply
 S4214 for 230/240V a.c. 50Hz supply
 AS4214 for 220V a.c. 50Hz supply
 S4215 for 160V d.c. supply

GOVERNED MOTOR UNIT

Index Letter	Part No.	Part Name	See Page
A	4214/58	Motor Unit Base	111
or	4209/2B	Motor Unit Base (for 220V a.c. 50Hz machines)	
B	4214/55	Motor Unit Base Cover CP includes:	
C	PS7157	- Special Screw	
D	PW5840	- Retaining Washer	
E	4214/1A	COMPONENTS PANEL ASSEMBLY (for 230/240V a.c. 50HZ)	
or	4215/1A	COMPONENTS PANEL ASSEMBLY (for 160V d.c. supply)	
F	4209/11B	Plug Mounting Plate	
H	PP8141	Unit Dowel Pin	
J	PP8142	Socket Plate Dowel Pin	
K	4209/27	Base Plate CP	
L	PS7156	Motor Unit Screw	2 off each per unit
M	PW5838	Retaining Washer	
N	PS5032	Special Screw	
O	4209/4	Motor Mounting Collar	2 off each per unit
P	4209/8	Motor Strap	
Q	MR652/0102	GOVERNED MOTOR a.c. VOLTAGE	See Page 109
or	MR657/0501	GOVERNED MOTOR d.c. VOLTAGE	
or	MR652/0702	Governed Motor (220V a.c. 50Hz)	See Page 109
or	MR652/0103	Governed Motor (230/240V a.c. 60Hz)	
or	MR652/0802	Governed Motor (110/120V a.c. 50Hz)	
R	S4208	GOVERNOR CP 3750 REV/MIN (for a.c. Motor)	See Page 113
or	S4430	GOVERNOR CP 3000 REV/MIN (for d.c. Motor)	
S	4214/6	Stroboscope Disk (4 Black Segments)	See Page 113
or	4215/2	Stroboscope Disk (5 Black Segments)	
T	4214/2A	Brush and Slip Ring Cover CP includes:	
U	4214/17A	- Brush and Slip Ring Cover	
V	PS7159	- Special Screw	
W	PW5840	- Retaining Washer	
X	4214/7	Brush Cover Pillar	
Y	4214/4	Earthing Blade	
Z	4214/5	Clamp Plate	
	CT1273	Earth Connector CP	

Machine Serial Number must be stated when ordering Spare Parts

7.58

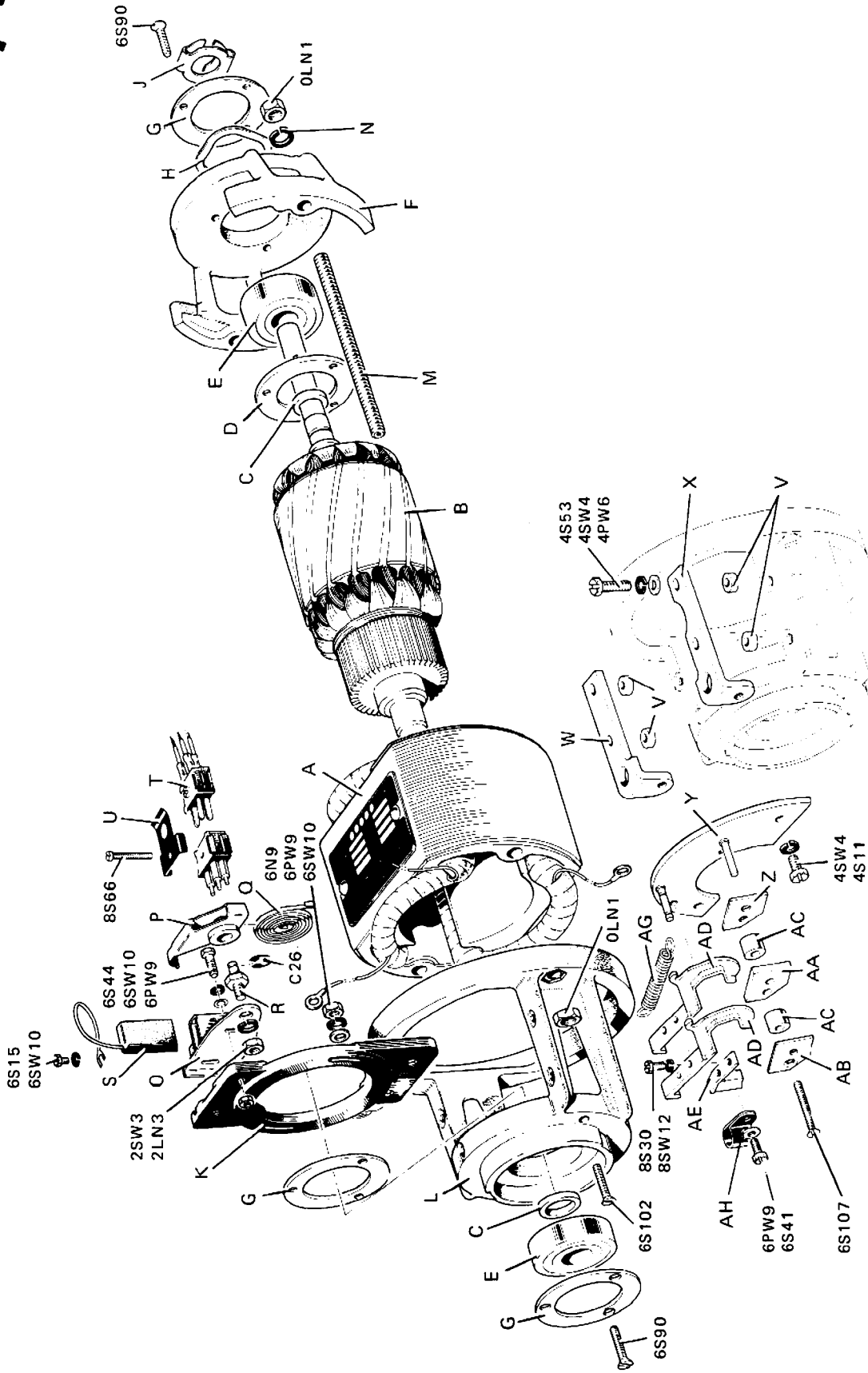


Fig. 7.58 GOVERNED MOTOR

GOVERNED MOTOR { REF. 652 (a.c. Voltage)
REF. 657 (d.c. Voltage)

Index Letter	Part No.	Part Name
A	4206/30	Field Magnet CP (for 230V a.c. motors)
	4206/46	Field Magnet CP (for 220V a.c. 50Hz motors)
	4206/48	Field Magnet CP (for 230/240V a.c. 60Hz motors)
	4214/61	Field Magnet CP (for 110/120V a.c. 50Hz)
	4206/34	Field Magnet CP (for d.c. motor Ref. 657)
B	4206/16	Armature CP (for a.c. motor Ref. 652)
	4214/59	Armature CP (for 110/120V a.c. 50Hz)
	4206/41A	Armature CP (for d.c. motor Ref. 657)
C	4207/15	Inner Race Thrust Collar
D	4207/16	Bearing Clamp Plate
E	BO8406/1	Ball Bearing (BS292 Ref. BRL012)
F	4206/2	Motor Casting
G	4207/17	Bearing Cap (2 per unit)
H	4207/18	Preload Waved Washer
J	BO8229/1	Circlip (Anderson Type 1900 -3/8in.)
K	4206/18	Brush Mounting Plate
L	4206/4A	Motor Casting
M	4206/11	Tie Bar
N	PW4028	Spring Washer OBA
O	4206/22	Brush Box CP (2 per unit) includes:
P	4206/32	- Brush Box Sub CP
Q	4206/25	- Brush Arm CP
R	4206/19	- Brush Spring
*S	AA19/1	- Brush Spring Anchor
	AA20/1	Motor Brush CP (2 per unit)
	AA20/1	Motor Brush CP (2 per unit) fitted to 160V d.c. motors
T	4214/36	3 way Plug CP
U	4206/33	Locating Spring
V	4214/29	Motor Unit Sub CP includes:
	4214/30	- Spacer (4 per CP)
W	4214/31	L.H. Bracket
X	4214/32	R.H. Bracket
	4214/33	Brush Mounting Plate CP includes:
Y	4214/37	- Brush Mounting Plate CP
Z	4214/38	- Spacer (inner)
AA	4214/39	- Spacer (centre)
AB	4214/40	- Spacer (outer)
AC	4214/41	- Spacer (2 per CP)
	4214/43A	Brush Arm CP (2 per unit) includes:
	4214/21	Brush Arm
AD	4214/42A	Governor Brush CP
AE	FG/830	Governor Brush Spring
AG	BO4063A ?	Cable Cl p
AH		

*It is important that brushes manufactured from different materials are not mixed on the same armature. To ensure that this does not occur check that the reference numbers etched on the brushes are identical.

Machine Serial Number must be stated when ordering Spare Parts

7.59

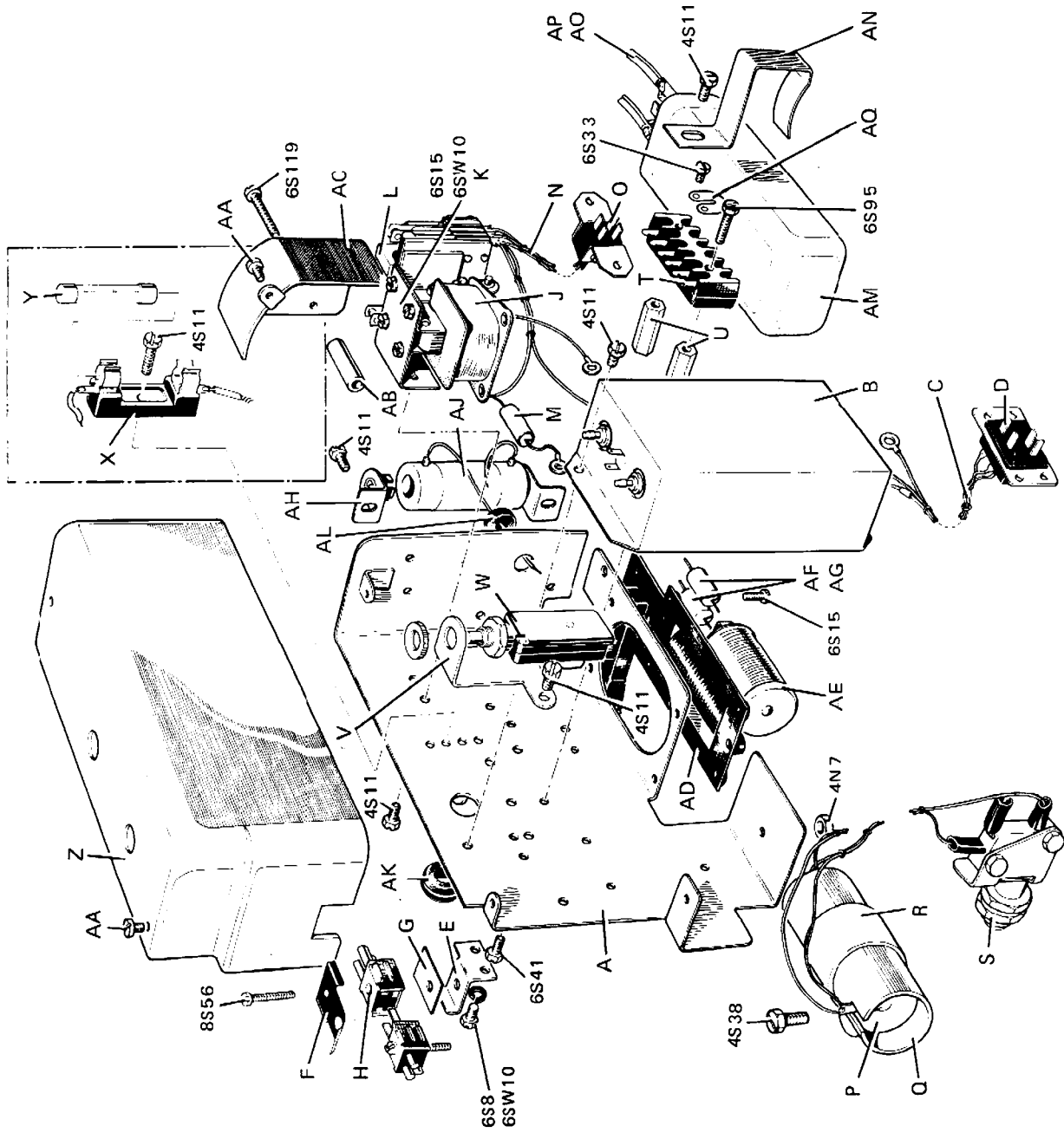


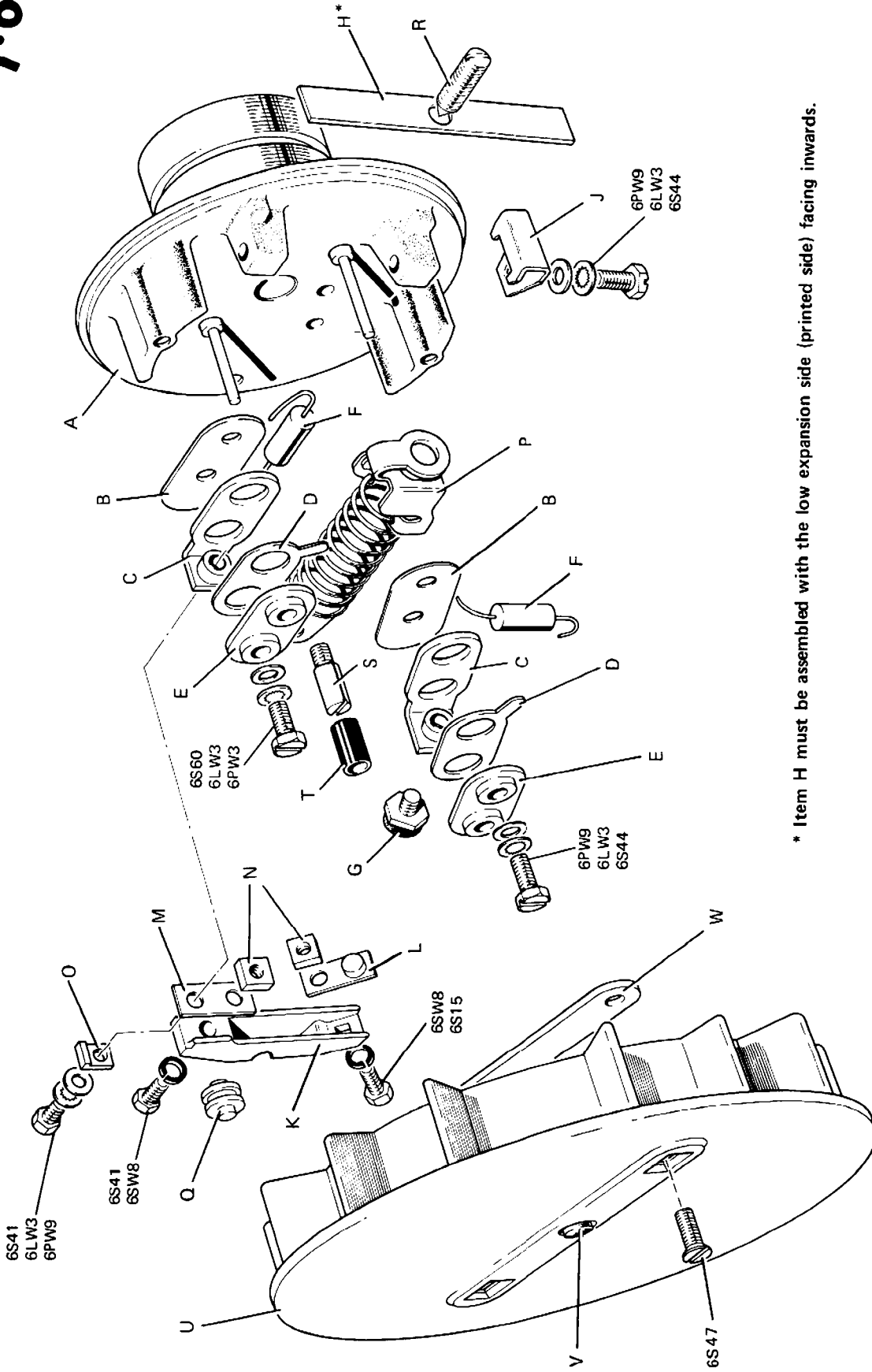
Fig. 7.59 GOVERNED MOTOR UNIT COMPONENTS PANEL

GOVERNED MOTOR UNIT COMPONENTS PANEL { **4214/1A** (for 230-250V a. c. 50Hz motors) **4215/1A** (for 160V d. c. motors) }

Index Letter	Part No.	Part Name	Index Letter	Part No.	Part Name
A	4214/27	Components Panel CP	U	4209/16	Terminal Strip Pillar (2 per assembly)
FILTER UNIT AND CABLEFORM					
	4214/8	Filter and Cableform CP includes:	V	4214/48	Thermal Cut-Out AND FUSE
B	BO5260	- Filter Unit		4214/47	Thermal Cut-Out Bracke:
C	CD2168	- Plug and Cableform CP includes:	W	BO7421/5	- Circuit Breaker
D	BO7646	-- Plug (Special Multicon)	X	BO7404/1	- Fuse Holder
E	4214/52	3-way Socket and Cableform CP includes:	Y	4215/3	Fuse Holder CP
F	4214/22	- Mounting Bracket		BO4046/6	Fuse-Anti Surge 0.85 amp } fitted to 4215/1A
G	4214/54	- 3-way Socket		BO2933/9	Fuse Link (fitted to 4214/1A)
H	4214/23	- Insulating Plate	Z	4209/46	Components Panel Cover
	4206/33	- Locating Spring	AA	PS5289	Special Screw (3 per assembly)
ON-SPEED RELAY					
	4214/49	On-Speed Relay CP (for 230-250V a. c. 50Hz motors) } includes:	AB	PB5034	Resistor Cover Spacer
or	4214/10	On-Speed Relay CP (for 160V d. c. motors)	AC	4214/3	Resistor Cover
J	BO4120/3	- Relay (fitted to 4214/49)	RESISTOR MOUNTING		
or	BO4120/1	- Relay (fitted to 4214/10)	AD	4214/51	Resistor Mounting CP includes:
K	4214/16	- Relay Bracket	AE	BO2659	- Resistor Mounting
L	4115/3	- Contact Separator	AF	BO3549/31	- Capacitor 0.1µF
	4214/24	- Resistor CP includes:	AG	CF2507	- Resistor 1.5ohm (2 per CP)
M	BO3548/8	-- Resistor 4.7k ± 5% 4.5w.		4214/11	- Cableform
N	CD2112	- On-Speed Cableform CP includes:	AH	BO3942/18	Resistor CP includes:
O	BO7644/1	-- 4-way Plug (Painton Series 159-Special)	AJ	BO3815/13	- Resistor Mounting
MOTOR ON/OFF SWITCH					
	4209/31	Motor On/Off Switch Assembly includes:	AK	BO7801/5	- Resistor 820ohm
P	BO2659	- Capacitor 0.1µF + 40% 1.5kv. -- NIL	AL	BO7801/2	Grommet
Q	PE1156	- Insulating Sleeve	AM	BO4148	Grommet
R	BO4063A/10	- Cable Clip	AN	4214/13	Capacitor Clip
S	BO7225	- Microswitch CP	AO	CF2393	Capacitor Cableform CP
T	CB1151	6-way Terminal Strip	AP	CF2403	Cableform CP
			AQ	CT5133	Connecting Link

Machine Serial Number must be stated when ordering Spare Parts

7.60



* Item H must be assembled with the low expansion side (printed side) facing inwards.

Fig. 7.60 GOVERNOR CP

GOVERNOR CP { S4208 (3750 rev/min for a.c. motors)
S4430 (3000 rev/min for d.c. motors)

Index Letter	Part No.	Part Name
A	4208/22A	Governor Sub CP
B	4208/13	Insulation Plate
C	4208/26	Contact Arm Bracket CP
D	4208/16	Solder Tag } 2 off each per CP
E	4208/14	Insulation Plate }
F	BO5588/1	Inductor
G	PC3015	Contact Screw
H	4208/7	Compensator
J	4208/15	Compensator Clamp
K	4208/23	Contact Arm CP includes:
L	4208/20	- Contact Arm
M	4208/10	- Contact Blade CP
N	4208/9	- Contact Arm Blade
O	4208/21	- Special Nut (2 per CP)
P	4208/18	Clamp Plate
or	4430/1	Governor Spring CP (for 3750 rev/min)
Q	4208/27	Governor Spring CP (for 3000 rev/min)
R	PS6527	Spring Anchor
S	4208/24	Adjusting Screw
T	PE 1255	Threaded Pin
U	4208/28	Sleeve
V	4208/11	Governor Cover CP includes:
W	BO9830	- Governor Cover
	4208/12	- Earthing Stud
		- Earthing Strip

Machine Serial Number must be stated when ordering Spare Parts

NUMERICAL INDEX

Part No.	Part Name	Page	Index Letters	Part No.	Part Name	Page	Index Letters	Part No.	Part Name	Page	Index Letters		
2319/143	Abutment .. .	63	J	4208/7	Compensator .. .	113	H	4209/71	Stator CP .. .	103	A		
4010/492	Microswitch Insulator .. .	31	R	4208/9	Special Nut .. .	113	N	4209/75B	Capacitor Clamp .. .	105	D		
				4208/10	Contact Arm Blade .. .	113	M						
				4208/11	Governor Cover .. .	113	U	S4214	Governed Motor Unit .. .	11	BE		
				4208/12	Earthing Strip .. .	113	W	AS4214	Governed Motor Unit .. .	107			
4081/400	Punch Block Assembly .. .	93	FG	4208/13	Insulation Plate .. .	113	B	BS4214	Governed Motor Unit .. .	107			
				4208/14	Insulation Plate .. .	113	E	CS4214	Governed Motor Unit .. .	107			
4115/3	Contact Separator .. .	111	DA	4208/15	Compensator Clamp .. .	113	J						
4206/2	Motor Casting .. .	109	F	4208/16	Solder Tag .. .	113	D	4214/2A	Components Panel Assembly	107	E		
				4208/18	Governor Spring CP .. .	113	P						
4206/4A	Motor Casting .. .	109	L	4208/20	Contact Blade CP .. .	113	L	4214/2	Brush and Slip Ring Cover	107			
4206/11	Tie Bar .. .	109	L	4208/21	Clamp Nut .. .	113	O	4214/3	Resistor Cover .. .	111	AC		
4206/16	Armature CP .. .	109	M	4208/22	Governor Sub CP .. .	113	A	4214/4	Earthing Blade .. .	107	X		
4206/18	Brush Mounting Plate .. .	109	B	4208/23	Contact Arm CP .. .	113	S	4214/5	Clamp Plate .. .	107	Y		
4206/19	Brush Spring Anchor .. .	109	K	4208/24	Threaded Pin .. .	113	C	4214/6	Stroboscope Disk .. .	107	S		
4206/21A	Brush Box CP .. .	109	R	4208/26	Contact Arm Bracket CP .. .	113	Q	4214/7	Pillar .. .	107	W		
4206/22	Brush Box CP .. .	109	O	4208/27	Spring Anchor .. .	113	I	4214/8	Filter and Cableform CP .. .	111			
4206/25	Brush Spring .. .	109	Q	4208/28	Governor Cover CP .. .	113		4214/10	On Speed Relay CP .. .	111			
4206/30	Field Magnet CP .. .	109	A					4214/11	Resistor CP .. .	111			
4206/32	Brush Arm CP .. .	109	P					4214/13	Capacitor Clip .. .	111	AN		
4206/33	Locating Spring .. .	13	CL					4214/16	Relay Bracket .. .	111	K		
4206/34	Field Magnet CP .. .	109	U					4214/17A	Brush and Slip Ring Cover .. .	107	T		
4206/41A	Armature CP .. .	109	H	S4209A	Synchronous Motor Unit .. .	11	A	4214/21	Brush Arm .. .	109	AD		
4206/46	Field Magnet CP .. .	109	A					4214/22	Mounting Bracket .. .	111	E		
4206/48	Field Magnet CP .. .	109	A	4209/2B	Motor Unit Base .. .	101	A	4214/23	Insulating Plate .. .	111	G		
4207/3	Drive End Casting .. .	103	D	4209/4	Motor Mounting Collar .. .	107	O	4214/24	Resistor CP .. .	111			
4207/5	Switch End Motor Cover .. .	103	J	4209/8	Motor Strap .. .	101	P	4214/27	Components Panel CP .. .	111	A		
4207/14	Tie Bar .. .	103	M	4209/11B	Plug Mounting Plate .. .	107	F	4214/29	Motor Unit Sub CP .. .	109	V		
4207/15	Inner Race Thrust Collar .. .	109	C	4209/12A	Socket Mounting Plate .. .	13	BY	4214/30	Spacer .. .	109			
4207/16	Bearing Clamp Nut .. .	103	F	4209/14B	Components Panel CP .. .	105	A	4214/31	Brush Arm .. .	109	AE		
4207/17	Bearing Cap .. .	103	D	4209/15	Spacer .. .	105	E	4214/32	R.H. Bracket .. .	109	X		
4207/18	Pre-Load Waved Washer .. .	103	H	4209/27	Base Plate CP .. .	101	K	4214/33	Brush Mounting Plate CP .. .	109			
4207/23	Stator CP .. .	103	A	4209/31	Motor On/Off Switch Assembly .. .	105		4214/34	Brush Arm CP .. .	109			
A4207/23				4209/38	Capacitor Clip .. .	111		4214/36	3-way Plug .. .	109	T		
C4207/23				4209/46	Components Panel Cover .. .	111	Z	4214/37	Brush Mounting Plate CP .. .	109	Y		
4207/38	Rotor CP .. .	103	B	4209/57A	Motor Unit Cover CP .. .	101	B	4214/38	Spacer .. .	109	Z		
S4208	Governor CP .. .	113	R					4214/39	Spacer .. .	109	AA		
4208/6	Contact Arm .. .	113	K					4214/40	Spacer .. .	109	AB		
								4214/41	Spacer .. .	109	AC		
								4214/42A	Governor Brush CP .. .	109			
								4214/47	Circuit Breaker and Fuse Holder .. .	111			
								4214/48	Thermal Cut-Out Bracket .. .	111	V		
								4214/49	On Speed Relay CP .. .	111			
								4214/50	Resistor Mounting CP .. .	111			
								4214/51	Resistor Mounting .. .	111	AD		

Part No.	Part Name	Page	Index Letters	Part No.	Part Name	Page	Index Letters	Part No.	Part Name	Page	Index Letters
4214/52	3-way Socket	111	-	4400/79B	Main Base CP	13	BP	4402/78	Shim	29	N
4214/54	3-way Socket	111	F	4400/80	Socket Mounting Plate	7	H	4402/79A	Pressure Roller Shaft CP	29	AE
4214/55	Motor Unit Base Cover	107	B	4400/81	Roller Assembly	13	CY	4402/80	Collar	29	T
4214/58	Motor Unit Base	107	A	4400/82	Print Spring Anchor Assembly	19	-	4402/81A	Platen Frame CP	29	A
S4215	Governed Motor Unit	107	-	4400/83	Stop Screw	15	-	4402/86	Retaining Lever CP	29	-
4215/1A	Components Panel Assembly	107	E	4400/88	Cable Shield	15	DS	4402/88	Platen Unit Sub Assembly Stage 3	29	-
4215/2	Stroboscope Disk	107	E	4400/92A	Print Beam Casting CP	15	CW	4402/89	Platen Unit Sub Assembly Stage 2	29	-
4215/3	Fuse Holder CP	111	S	4400/93A	Two Colour Print and Line Feed Assembly	19	DX	4402/90	Platen Unit Sub Assembly Stage 1	29	-
4228/50(1)	Switch Final Assembly	103	K	4400/110	Clamp Plate	17	DN	4402/92	Platen Knob CP	29	BH
4228/50(2)	Switch Final Assembly	103	L	4400/115	Main Base CP	13	O	4402/100A	R.H. Guide Arm CP	11	AR
4283/5	Motor Fan	101	R	4400/113	Answer Back Release Arm	17	BP	4402/101A	L.H. Guide Arm CP	29	AO
4400/1A	Lock Plate	15	DT	S4401A	Layshaft Unit	15	EX	4402/103A	Paper Guide Wire	29	AS
4400/14	Felt Lubrication	43	JD	4401/1	Motor Gear Guard	27	-	4402/104	Pivot Screw	29	AT
4400/20	Line Feed Lever CP	17	K	4401/4C	Layshaft Bearing Casting CP	27	RG	4402/105	Ratchet Lever Assembly	29	S
4400/21	Line Feed Shaft	17	A	4401/5B	Layshaft	27	A	4402/106	Spring Anchor	29	F
4400/24A	Line Feed Link Lever CP	17	P	S4402	Platen Unit	7	B	4402/136	Clamp	31	J
4400/25A	Clamp	17	C	AS402C	Platen Unit (Sprocket Feed)	29	O	4402/139	Nut Plate	29	H
4400/26	Set Collar	17	H	4402/1	Masking Lever	29	-	4402/141	Fixing Bracket	29	K
4400/27	Felt Washer	17	B	4402/14A	Shouldered Pin	29	M	4402/143	Fixing Bracket	29	B
4400/28B	Retention Lever CP	17	X	4402/18	Platen Feed Pawl	29	D	4402/153	Platen Frame Tie	29	-
4400/29	Spacing Collar	17	V	4402/9	F langed Pin	29	P	4402/154A	Paper Guide	29	AP
4400/30	Felt Washer	17	W	4402/10	Retaining Lever	29	Q	4402/155A	Tear Off Plate CP	29	E
4400/31	Eccentric	17	U	4402/11	Special Parallel Pin	29	W	4402/156	Plunger Boss	31	C
4400/32	Follower Lever CP	17	E	4402/12	Shouldered Pin	29	V	4402/157	Cam	31	-
4400/35	Shaft	17	L	4402/14	Jockey Lever	29	L	4402/161A	Pin CP	31	B
4400/39B	Two Colour Print Lever	17	P	4402/15	Eccentric	29	Y	4402/162A	Platen Unit Sub Assembly	29	-
4400/43	Trip Lever CP	17	F	4402/16	Ratchet Wheel CP	29	O	4402/163	Platen Unit Sub Assembly	29	-
4400/45B	Support Bracket CP	17	G	4402/17A	Line Space Change Lever CP	29	U	4402/164	Platen Unit Sub Assembly	29	-
4400/46	Felt Retainer	17	S	4402/20	F langed Pin	29	Z	4402/165	Platen Tube CP	31	A
4400/47	Bearing Bracket Assembly	17	J	4402/21	Link	29	C	4402/166	Platen CP	31	-
4400/55	Support Bracket and Trip Lever CP	17	-	4402/28	R H. Paper Guide	29	AM	4402/170	Paper Guide Wire	29	AS
4400/56	Special Shouldered Bolt	15	DW	4402/29	L.H. Paper Guide	29	AX	4402/173	L.H. Bracket CP	31	H
4400/57	Bowed Spring Washer	15	D	4402/42A	Platen CP	29	AW	4402/174	R.H. Bracket CP	31	L
4400/58	Washer	15	DV	4402/48	Pressure Roller Key CP	29	F	4402/178	L.H. Lever	31	G
4400/63	Eccentric Adjustment Screw	19	DU	4402/49A	Pressure Roller Lever CP	29	AL	4402/179	R.H. Lever CP	31	K
4400/66	Spring Anchor Pivot	15	C	4402/63A	Platen Gear CP	29	AJ	4402/180	Guide Wire Stop	29	AZ
4400/67	Adjustment Screw	19	DP	4402/66	Platen Pinion	29	G	S4403	Feed Unit	7	E
4400/68	Pivot Bracket CP	19	K	4402/68	Platen Frame Tie	29	AH	4403/1	Camshaft	33	-
4400/69	Spring Anchor Lever	15	A	4402/70C	Paper Tear Off Plate	29	B	4403/2C	Cam Sleeve	33	B
4400/71	Pivot Pin	19	DQ	4402/73A	Platen Mainshaft	29	AP	4403/3	Dog Clutch Feed Mechanism	33	K
4400/72A	Roller Pivot	19	D	4402/74B	Paper Guide	29	E	4403/4A	Clutch Coupling Feed Mechanism	33	T
4400/73	Spring Anchor Bracket	15	DO	4402/75	Paper Jockey	29	AD	4403/5	Feed Cam Spacer	33	F
4400/75	Roller Adjusting Bracket CP	19	E	4402/77B	Pressure Roller Spindle CP	29	AY	4403/6	Bearing Clamp Nut	33	AC
4400/76	Knurled Nut	19	J				AG	4403/9	Feed Lever Bush	33	N
4400/77	Print Beam Casting CP	19	L					4403/14	Withdrawal Lever Latch	33	V
			B					4403/15	Withdrawal Lever CP	33	-

Part No.	Part Name	Page	Index Letters	Part No.	Part Name	Page	Index Letters	Part No.	Part Name	Page	Index Letters
4403/16	Feed Plate 1st CP.	33	AY	4404/28	Bush	39	DJ	4404/106C	Felt Lubrication...	35	O
4403/19	Eccentric Adjuster	33	BN	4404/31C	Camshaft and Drum Assembly	39	DD	4404/107B	Latch	41	EU
4403/21	Link Strip	33	BO	4404/33	Washer	39	DL	4404/108	Single Shot Latch	35	AS
4403/22	Lever	33	BK	4404/36	Retention Lever	55	AX	4404/109	Backplate	41	EO
4403/23A	Pivot Pin	33	AR	4404/41	Off-Normal Switch Bracket	45	KE	4404/110B	Trip Lever	35	AR
4403/29	Clutch Detent Pivot	33	AF	4404/42	Switch Screw	45	KH	4404/111B	Stop Plate	41	FB
4403/30	Washer	33	AK	4404/43	Switch Insulator	45	KF	4404/112A	Sequential Lever Rack	35	M
4403/31	Feed Lever Pivot	33	AM	4404/46A	Latch CP	37	CN	4404/113	Answer Back Drum Spindle	41	EP
4403/32	Cam Roller	33	AS	4404/53A	Shouldered Screw	45	KJ	4404/117	Answer Back Feed Ratchet	41	FK
4403/39	Adjuster Eccentric	33	BF	4404/54A	Cover Retaining Nut	45	KM	4404/119A	Spring Anchor	43	HJ
4403/42	Eccentric Adjuster	33	AN	4404/59	Spacer	39	EA	4404/120	Spring	41	ET
4403/44	Lever Plate CP	33	BM	4404/60	Clamp Plate	39	DS	4404/122	Answer Back Drum Sleeve	41	FP
4403/45	Spring Anchor Screw	33	AQ	4404/62	Clamp Plate	39	EB	4404/123A	Answer Back Code Ring	41	FQ
4403/49A	Feed Pawl Rack	33	AZ	4404/62	Spring Anchor Plate	37	BU	4404/124A	Off-Normal Cam	41	FR
4403/51A	Clutch Detent CP	33	Z	4404/65	Spacer	37	CV	4404/125	Latch	41	EZ
4403/53D	Feed Unit Casting Sub CP	33	A	4404/67A	Special Nut	43	JA	4404/126	Delay Disk	39	DW
4403/60	Feed Pawl (Rear) CP	33	BE	4404/68	Pin	77	N	4404/127A	Answer Back Feed Pawl	41	EY
4403/61	Feed Pawl (Front) CP	33	BG	4404/71B	Cam sleeve	39	DQ	4404/129	Eccentric Pin	41	FM
4403/62	Locking Washer	33	D	4404/72	Clutch Dog	39	DK	4404/134A	Code Selection Lever Spindle	35	H
4403/65A	Feed Unit 1st Assembly	33	-	4404/73	Clutch Plate	39	DZ	4404/142	Trip Lever CP	35	F
4403/66	Feed Lever No. 1 Assembly	33	AU	4404/74	Clutch Plate	39	DX	4404/137A	Pin	41	ER
4403/67	Feed Lever No. 2 Assembly	33	AV	4404/75A	Detent Operating Lever	37	DV	4404/140	Spring Anchor Plate	37	BM
4403/68	Feed Plate 2nd CP	33	-	4404/80A	Bearing Housing	77	B	4404/143A	Trip Latch CP	35	G
4403/69	Feed Cam	33	M	4404/81	Pivot Pin	41	EQ	4404/144A	Locking Lever CP	35	AD
4403/70A	Counter Pinion (50 Baud)	7	F	4404/84	Nylon Washer	35	Z	4404/150B	Contact Block	43	HR
4403/71A	Clutch Detent Assembly	33	F	4404/86	Felt Washer	35	Y	4404/152A	Clamp Screw	43	D
4403/77B	Feed Pawl Bracket	33	BD	4404/85	Felt Washer	15	EJ	4404/157A	Link	43	HY
4403/82	Shim	33	AT	4404/86	Felt Washer	35	X	4404/159B	Striker Pin	43	L
4403/85	L.H. Friction Plate	33	P	4404/87A	Transmitter Casting CP	35	XH	4404/160A	Striker Cam Lever	43	GH
4403/86	Roller Securing Clip	33	AC	4404/88A	Answer Back Lock Lever	37	AH	4404/161	Roller	43	AB
4403/87	Felt Lubrication	33	AB	4404/89	Keep Plate	45	V	4404/162	Roller Pivot	43	GC
4403/88	Feed Trip Latch Assembly	33	-	4404/90	Pivot	37	AR	4404/180A	Send and Receive Delay Release Lever	43	AA
4403/89	Eccentric	33	AH	4404/92D	Run-Out Link	37	DT	4404/182	Send and Receive Lever	43	GD
4403/91	Feed Trip Lever CP	33	AG	4404/93	Spindle	37	CC	4404/183A	Send and Receive Lever CP	37	GF
4403/100	Feed Trip Latch	33	AJ	4404/95	Clamp Plate	35	CC	4404/184B	Send and Receive Lever Pivot	37	GE
S4404A	Transmitter Unit	33	C	4404/96B	Sequential Lever Spring	35	AP	4404/186A	Special Screw	43	T
4404/1	Spindle	37	BZ	4404/97	Sequential Lever Spindle	35	BK	4404/190A	Answer Back Feed Lever	41	GM
4404/2	Spindle	37	CK	4404/98	Locking Plate	35	A	4404/191	Answer Back Drum Detent CP	41	JC
4404/3	Eccentric	37	CL	4404/99	Retenton Pawl	41	BH	4404/192A	Selection Lever Rack	35	BO
4404/7	Mounting Plate	43	JK	4404/102	Latch	41	CY	4404/193A	Keyboard Lock Dail	35	BN
4404/11	Common Frame Blade	35	U	4404/105	Latch	41	CX	4404/196	Eccentric Pin	35	JB
4404/15A	Clutch Body	39	DN	4404/106	Latch	41	P	4404/203	Eccentric	37	O
4404/17A	Detent CP	37	BF	4404/107	Latch	41	N				EW
4404/19	Moving Arm CP	39	DE	4404/108	Latch	41	AA				FD
4404/21	Roller	39	DP	4404/109	Latch	41	AG				D
4404/23	Adjustable Clamp Plate	39	DR	4404/110	Latch	41	AE				C
4404/27	Eccentric Screw	39	DO	4404/111	Latch	41	FG				AV

Part No.	Part Name	Page	Index Letter	Part No.	Part Name	Page	Index Letter	Part No.	Part Name	Page	Index Letter
4404/209	WRU7 Inhibiting Lever CR..	35	W	4404/301	Transmitter Base Sub Unit	37	-	4404/497A	Bracket..	43	GX
4404/210A	Stop Lever..	37	BT	4404/302C	Striker Sub Unit..	43	-	4404/499A	Jockey Pivot ..	43	AD
4404/211	Trip Lever..	37	BV	4404/303	Answer Back Sub Unit..	41	-	4404/501A	Anchor Pin ..	43	GQ
4404/212	Latch ..	37	CG	4404/304	Answer Back Drum CP..	41	-	4404/503	Carrier ..	43	GW
4404/213	Pawl ..	37	CA	4404/305	Contact Block Cover CP ..	45	-	4404/505	Stop Plate CP..	43	GB
4404/214	Answer Back Trip Inhibiting Lever..	37	CJ	4404/306	Socket Screw ..	45	KO	4404/507B	Shouldered Screw ..	43	HA
4404/215	Location Bush ..	35	AC	4404/307	Answer Back Drum Detent Assembly	41	-	4404/508	Lever ..	43	HL
4404/206	Location Bush ..	35	AB	4404/308	Drum Latch CP ..	41	-	4404/509	Eccentric Pin ..	43	GN
4404/216	Clamp ..	35	K	4404/309A	Striker and Contact Block Assembly	43	-	4404/512	Felt Lubrication ..	43	GJ
4404/218	Spacing Washer ..	37	BY	4404/310A	Transmitter Wiring CP ..	43	-	4404/514	Striker CP..	43	GA
4404/219	Answer Back Trip Shaft ..	37	BS	4404/311	E.O.L.I. Switch Bail ..	43	JP	4404/518	Cam Lever CP..	43	Z
4404/221	Clamp Plate ..	37	CM	4404/313	Transmitter Plug CP ..	43	-	4404/519	Pillar ..	43	GL
4404/222	Spacer ..	37	BW	4404/314	RIS Assembly..	43	-	4404/520	Pillar ..	43	HD
4404/230	Backplate CP ..	41	-	4404/315B	Cableform..	43	JF	4404/521	Jockey Roller..	43	HE
4404/234B	Tape Reader Delay Lever ..	43	HF	4404/316	RIS Base CP ..	43	JL	4404/522	E.O.L.I. Switch Pivot ..	43	GT
4404/235	Contact Block Cover ..	45	KL	4404/322	Special Nut ..	63	BN	4404/523	Bracket..	43	AK
4404/247	Code Selection Lever Assembly	35	-	4404/324	Transmitter Sub Assembly 4th Stage	37	-	4404/524	Clamp Plate ..	43	JQ
4404/250	Sequential Lever Assembly	35	-	4404/325	Answer Back Trip Inhibiting Lever Assembly	37	-	4404/525	Tongue Solder Tag ..	43	JR
4404/251D	Contact Block Assembly ..	43	-	4404/326	Transmitter Sub Assembly 3rd Stage	37	-	4404/526	Contact Blade ..	43	HW
4404/252A	Common Frame CP ..	35	-	4404/327	Retention Lever CP..	35	-	4404/528	Contact Screw ..	43	J
4404/253A	Lock Frame CP ..	35	-	4404/328	Trip Lever Final CP ..	35	-	4404/529A	Contact Blade CP ..	43	HV
4404/258	Stud ..	35	B	4404/329A	Transmitter Sub Assembly	35	-	4404/534	Lever Adjustment Plate ..	35	H
4404/257	Gear Cover ..	45	KK	4404/332	2-way Socket CP ..	45	-	4404/535	Run Out Lever CP ..	35	HT
4404/259	Cam sleeve 1st CP..	39	-	4404/333	Sequential Lever..	35	V	4404/537	Run Out Crank CP..	35	F
4404/260	Cam sleeve 2nd CP ..	39	-	4404/334	Torsion Spring ..	37	CB	4404/540	Run Out Lever Assembly..	35	HZ
4404/261	Transmitter Sub Assembly 1st Stage..	39	-	4404/337A	Rack ..	35	Q	4404/541	Push Rod Guide..	35	M
4404/262	Detent Lever Assembly ..	37	-	4404/338A	Transmitter Pulley CP ..	45	KD	4404/549	Code Selection Lever ..	35	HU
4404/268	Run-Out Key ..	37	CR	4404/343	Eccentric Bush ..	43	AU	4404/550	Jockey Arm ..	43	G
4404/263	Answer Back Feed Lever Assembly	41	-	4404/455	Solder Tag..	77	K	4404/551	Shaft Clip ..	43	AN
4404/264	Camshaft Sub Assembly ..	39	-	4404/458	Spacer ..	37	BR	4404/553	Felt Lubrication ..	43	AO
4404/265A	Cam Lever Assembly ..	43	-	4404/459	Spacer ..	41	FN	4404/554	Jockey Arm Assembly..	43	AM
4404/266	'Here Is' Key ..	37	CT	4404/467A	Common Frame CP ..	35	T	4404/544	Backing Blade ..	43	-
4404/270	Camshaft and Clutch Band Assembly	39	-	4404/470	Contact Block Cover ..	45	KL	4404/544	Backing Blade ..	43	HS
4404/271A	Camshaft Assembly ..	39	-	4404/471	Contact Block Cover ..	45	-	4404/550	Jockey Arm ..	43	E
4404/273	Answer Back Feed Lever Final Assembly	41	-	4404/472B	Cover Fixing Stud ..	43	HC	4404/551	Shaft Clip ..	43	GP
4404/275	Striker Cam Lever CP ..	43	-	4404/473	Special Washer ..	39	EG	4404/553	Felt Lubrication ..	43	GR
4404/278	Answer Back Trip Shaft Sub Assembly	37	-	4404/479	Spacer ..	39	EF	4404/554	Jockey Arm Assembly..	43	GU
4404/279	Answer Back Trip Shaft Assembly	37	-	4404/488A	Front Plate CP ..	43	GZ	4404/554	Jockey Arm Assembly..	43	AL
4404/280	Roller ..	41	FF	4404/491A	Back Plate CP..	43	GY	4404/554	Jockey Arm Assembly..	43	-
4404/281	Eccentric Pivot ..	41	FE	4404/493A	Rocker Plate CP ..	43	HB	4404/554	Jockey Arm Assembly..	43	HS
4404/286A	Striker Sub Assembly ..	43	-	4404/496	Contact Dolly..	43	JE	4404/554	Jockey Arm Assembly..	43	E
4404/289B	Striker Sub Unit 2nd Assembly ..	43	-	4404/496	Contact Dolly..	43	AC	4404/554	Jockey Arm Assembly..	43	AL
								S4405B	Main Camshaft Unit ..	15	DY
								AS4405B	Main Camshaft Unit ..	47	-
								4405/1B	Main Camshaft ..	47	A
								4405/2D	Camshaft Sleeve ..	47	G

Part No.	Part Name	Page	Index Letter	Part No.	Part Name	Page	Index Letter	Part No.	Part Name	Page	Index Letter
4405/3	Cam Spacer	47	J	4406/2	1st Row Keybar	49	AO	4406/145	Letters Figures Code Bar	49	P
4405/4	Cam Spacer	47	N	4406/3	2nd Row Keybar	49	AQ	4406/146	Lock Bar	49	Q
4405/5	Cam Spacer	47	P	4406/4	3rd Row Keybar	49	AS	4406/157	Stop Plate	49	AD
4405/6	Cam Spacer	47	R	4406/5	4th Row Keybar	49	AU				
4405/7A	Cam Spacer	47	T	4406/6	Key Lever	49	AN				
4405/8	Cam Sleeve Nut	33	O	4406/8B	Code Bar Lever	49	S	S4407A	Cover Unit	51	-
4405/9A	L.H. Friction Plate	47	X	4406/9	Lever Pivot Rod	49	W	4407/8	Cover Securing Bracket CP	53	F
4405/10	Felt Washer	33	Q	4406/11B	Keybar Spring	49	F	4407/12C	Opening Cam Pivot	51	B
4405/11A	R.H. Friction Plate	33	R	4406/12A	Keybar Pivot	49	AZ	4407/13A	L.H. Cam Opening	51	C
4405/12	Clamp Washer	47	AP	4406/13	Clamp Plate	49	X	4407/14	Opening Spring Bracket	51	E
4405/13	Bearing Clamp Nut	47	BR	4406/15	Keybar Rack	49	Z	4407/16	Cam Follower	51	J
4405/15A	Friction Plate	47	AJ	4406/16A	Code Bar Rack	49	AB	4407/18A	Spring Holder	51	G
4405/20A	Clutch Coupling	33	J	4406/19A	Shift Bar Lever	49	V	4407/19A	R.H. Cam Opening	51	-
4405/21	Clutch Coupling	47	AC	4406/24A	Toggle Spring	49	K	4407/21A	Pin Guide	51	K
4405/27A	Thrust Washer	47	H	4406/25	Pressure Plate	49	J	4407/24	Spacer	51	-
4405/32A	Selector Cam Sleeve CP	47	N	4406/41A	Trip Slat Blank	49	R	4407/27	Roller Securing Piece	53	B
4405/33A	Power Bail Cam	47	O	4406/42	Keybar Rack	49	B	4407/28	Roller	53	C
4405/34	Carriage Feed Trip Cam	47	S	4406/44A	Set of Combination Bars	49	N	4407/31	Paper Tear Off Edge	57	G
4405/35	Carriage Return Cam	47	U	4406/48	Figures Letters Code Bar	49	O	4407/32A	Paper Tear Off Clamp	57	H
4405/37A	Print Cam	47	Q	4406/49	Lock Bar	49	Q	4407/36	Grommet	51	L
4405/42	Feed Unit Pinion	47	B	4406/50	Letters Figures Code Bar	49	P	4407/42	Insert	53	J
4405/43C	Cam Sleeve Assembly	47	-	4406/52A	Stop Strip CP	49	BA	4407/45	Special Washer	51	F
4405/44	Bearing Housing CP	47	AD	4406/59A	R.H. Pad Frame CP	49	AJ	4407/46	Cover Window Assembly	51	-
4405/49	Oil Tube	47	AE	4406/60A	Figures Frame CP	49	AG	4407/50	Special Washer	57	M
4405/52	Friction Plate	47	AO	4406/62A	Space Key CP	49	AL	4407/62	Special Washer	51	M
4405/53B	Friction Plate	47	AL	4406/63	Selector Bar CP	49	G	4407/65	Window	57	J
4405/59	Shim	47	AN	4406/64	2nd Row Keybar CP	49	-	4407/69B	Chad Box Lid	55	A
4405/60	Code Read and Latch Reset Cam	47	AN	4406/65	3rd Row Keybar	49	-	4407/74A	Chad Box Lid Pivot	55	B
4405/64	Mains Shaft Gear CP	47	H	4406/66	4th Row Dummy Keybar	49	AY	4407/84B	Cover Tray Sub CP	53	A
4405/66	Felt Washer	47	AS	4406/67	Trip Lever Spacer	49	T	4407/86A	Base Tray Assembly	51	-
4405/79	Camshaft Extension CP	47	AT	4406/69A	Trip Selector Bar CP	49	H	4407/87A	Cover Lid Sub CP	53	-
4405/80	Reperforator Cam - One	47	K	4406/70A	WRU? Suppression Bar	49	L	4407/89B	Cover Body Sub CP	51	P
4405/81	Reperforator Cam - Two	47	L	4406/71A	WRU? Suppression Bar	49	M	4407/90	Cover Assembly	51	A
4405/82	Cam Spacer	47	M	4406/72	Pivot Location Plate	49	AC	4407/92	E.O.L.I. Lamp Assembly	55	-
4405/83	Bearing Clamp Nut	47	AF	4406/73B	Space Frame Assembly	49	AE	4407/95A	Keyboard Mask	55	-
4405/84	Bearing Clamp Washer	47	AG	4406/74	Figures and Space Spring	49	D	4407/131	Indicator Lamp Cap	55	J
4405/85	WRU? Cam	47	W	4406/75	Letters Spring	49	C	4407/138	Support Bracket	55	P
4405/87	Two Colour Cam	47	V	4406/78	Space Frame Spring	49	E	4407/160	Keyboard Mask	55	-
4405/88	Cam Spacer	47	WI	4406/81A	Keyboard 1st Assembly	49	-	4407/160	Keyboard Mask	55	-
S4406A	Keyboard Unit	7	A	4406/82	2nd Row Dummy Keybar	49	AW	4407/161A	Keyboard Mask	55	-
AS4406A	Keyboard Unit	49	-	4406/83	4th Row Keybar	49	-	A4407/161A	Keyboard Mask	55	-
BS4406A	Keyboard Unit	49	-	4406/84	3rd Row Dummy Keybar	49	AX	4407/162B	Keyboard Mask	55	-
CS4406A	Keyboard Unit	49	-	4406/85	1st Row Keybar CP	49	U	A4407/162B	Keyboard Mask	55	-
				4406/87B	Trip Lever	49	A	4407/165A	Keyboard Mask	55	-
				4406/88C	Keyboard Casting	49	AM	4407/165A	Keyboard Mask	55	-
				4406/135	Spacer	49	AA	4407/210	Tape Deflector	55	D
				4406/141A	Overtravel Stop CP	49	N	4407/211	Fixing Stud	55	E
				4406/142A	Set of Combination Bars	49	L	4407/227	Chad Box	55	C
				4406/143A	WRU? Suppression Bar	49	M				
				4406/144	WRU? Suppression Bar	49	O				
				4406/145	Figures Letters Code Bar	49	-				
					1st Row Dummy Keybar	49	-				

Part No.	Part Name	Page	Index Letter	Part No.	Part Name	Page	Index Letter	Part No.	Part Name	Page	Index Letter
S4408	Manual Control Unit	7	Q	4409/72	Cableform	61	AP	4410/60	Felt Washer	63	W
4408/2	Manual Key Bracket	59	-	4409/73	Switch and Plug Assembly	61	-	4410/62	Flanged Pin	63	K
4408/6	Manual Carriage Return Bar	59	A	4409/74	Combination Bar No. 1	61	G	4410/63	Read and Lock Lever CP	63	L
4408/9A	Support Pin	59	D	4409/75	Combination Bar No. 2	61	H	4410/65A	Trip Lever CP	63	Q
4408/10	Support Pin	59	C	4409/76	Combination Bar No. 3	61	J	4410/68B	Trip Reset Lever CP	63	BG
4408/12	Manual Carriage Return Key	59	E	4409/77	Combination Bar No. 4	61	K	4410/71A	Spacer	63	P
			B	4409/78	Combination Bar No. 5	61	L	4410/79	Transfer Lever Assembly	63	-
				S4410	Selector Unit	9	AA	4410/80	Trip Reset Lever Final CP	63	-
				AS4410	Selector Unit	63	-	4410/81	Front Plate Assembly	63	N
				4410/2	Drive Pin	63	AR	4410/82	Bail Lifting Lever CP	63	M
				4410/3	Drive Link Anchor Pin	63	AQ	4410/85	Read and Cam Lever CP	63	-
				4410/4	Pivot Pin	63	AO	4410/86	Read Ball Assembly	63	-
				4410/5	Eccentric Stud	63	AL	4410/88	Back Plate Assembly	63	-
				4410/6	Locating Screw	63	AZ	4410/89	Back Plate Assembly	63	-
				4410/7	Nut Plate	63	E	A4410/89	Back Plate Assembly	63	-
				4410/8	Retainer	63	AU	4410/90	Anchor Pin	63	AD
				4410/11	Special Screw	23	A	4410/91	Orientation Plate CP	63	BC
				4410/12	Clamp Plate	63	BD	4410/100	Read Ball Assembly	63	-
				4410/14A	Flanged Pin	63	BE	4410/106	Read and Lock Lever CP	63	L
				4410/18	Adjustment Arm	63	AK	4410/107	Special Screw	63	O
				4410/19A	Pillar	63	AG	4410/108	Spring Anchor Pin	63	AY
				4410/20	Storage Latch Rack	63	X	4410/112	Pin Trip Lever	63	BJ
				4410/21	Sequential Lever Rack	63	H				
				4410/22C	Sequential Levers	63	V	S4411A	Electromagnet Unit	9	AB
				4410/27	Driving Frame	63	AJ	S4411A	Electromagnet Unit	65	-
				4410/28A	Set of Code Transfer Levers	63	AN	4411/4A	Magnet	65	M
				4410/29B	Trip Lever	63	C	4411/6	Laminated Core CP	65	R
				4410/30	Rack	63	AT	4411/9A	Magnet Retaining Spring	65	N
				4410/38A	Drive Link	63	AV	4411/13	Adjustment Bracket	65	O
				4410/39A	Pivot Frame	63	AH	4411/17	Electromagnet Coil CP	65	P
				4410/41	Sequential Lever Rack	63	B	4411/22A	Casting and Lamination CP	65	A
				4410/42	Storage Latch No. 1	63	Y	4411/37	Plug Mounting Bracket	65	C
				4410/43	Storage Latch No. 2	63	Z	4411/38	Insulating Plate	65	T
				4410/44	Storage Latch No. 3	63	AA	4411/39	Coil and Plug CP	65	-
				4410/45	Storage Latch No. 4	63	AB	4411/44A	Armature	65	E
				4410/46	Storage Latch No. 5	63	AC	4411/48A	Oliite Bush	65	F
				4410/48	Spring Washer	63	BM	4411/49A	Armature Pivot	65	G
				4410/49	Washer	63	BL	4411/50A	Armature CP	65	-
				4410/50A	Pillar	63	R	4411/53	Coupling Plate	65	D
				4410/52A	Pivot Screw	63	D	4411/50	Distance Piece	65	B
				4410/53C	Latch	63	F	4411/54	Shim Retainer	65	J
				4410/54A	Back Plate	63	A	4411/55	Shim	65	K
				4410/55	Washer	35	AT	4411/56	Shim	65	-
				4410/57	Orientation Knob CP	63	BK	4411/57	Coil and Plug CP	65	-
				4410/58A	Orientation Pointer Plate	63	BB	4411/58	Electromagnet Coil CP	65	P
				4410/59	Front Plate CP	63	BA				
								S4412	Function Unit	21	A
								4412/5	Power Ball Pivot	67	BK

Part No.	Part Name	Page	Index Letters	Part No.	Part Name	Page	Index Letter	Part No.	Part Name	Page	Index Letter
4412/6	Bearing Bush	87	B	4412/51A	Carriage Feed Trip Lever ..	67	H	4413/7	Front Rack	69	D
4412/7	Eccentric Screw	67	BN	4412/52	Shaft Clamp Plate	67	AK	4413/8	Type Wire	69	AR
4412/9	Felt Washer	67	V	4412/54	Spring Anchor Plate	67	AJ	4413/9	Type Carriage Shaft	69	V
4412/10	Power Bail Link	67	BQ	4412/58	L.H. Main Bearing Shaft ..	89	AW	4413/13	Pivot Wire	69	BF
4412/18	Shift Beam Casting	67	W	4412/59	Function Bar Guide Shaft.	67	CW	4413/14	Rear Rack	69	E
4412/19	Shift Beam Pivot Shaft ..	67	AY	4412/62A	Line Feed Function Bar ..	67	G	4413/16A	Pulley Spindle	71	CZ
4412/20	Shift Beam Tube	67	AB	4412/63A	WRU? Function Bar	67	AC	4413/17A	Guide Pulley	71	DA
4412/21	Tapped Insert	67	AZ	4412/65	Spring Anchor Rack	67	AE	4413/18A	Ribbon Platform	71	DJ
		15	BA	4412/79	Shift Gear Segment CP ..	67	AD	4413/20	L.H. Ratchet Wheel	71	CV
		17	EL	4412/80	Shift Cam Gear CP	67	B	4413/26A	Code Seeker Bar	69	AQ
		37	T	4412/81A	Shift Lever CP	67	AH	4413/29	Bracket	69	AX
		61	AL	4412/82	Side Frames CP	67	Q	4413/32	Pin	69	AM
4412/24	Oil Felt	67	AD	4412/83	Power Bail Cam CP	67	BU	4413/33	Roller	69	AL
		67	O	4412/84A	Power Bail Adjustment CP ..	67	BP	4413/35	R.H. Ratchet Wheel	71	CW
		87	BS	4412/90	Shift Cam Arm Sub CP ..	67	R	4413/36	Type Carriage Spring Anchor Plate ..	71	CE
		87	R	4412/91	Spacing Washer	67	BM	4413/37A	Ribbon Jumper Arm	69	AG
		91	M	4412/92A	Shift Cam Roller Retainer.	67	BC	4413/38A	Ribbon Jumper Guide	69	AW
4412/26	Shift Cam Arm Eccentric ..	67	BG	4412/97A	Power Bail CP	67	BH	4413/39B	Jumper Arm Ball	69	AO
4412/28	Shift Cam Roller Eccentric	67	BD	4412/98	Front Guide Rack	67	BF	4413/40A	Code Sectors Rack	69	G
4412/29	Shift Cam Roller	67	BE	4412/99B	Vertical Rack Guide	67	BL	4413/41	Spring Anchor Plate	69	B
4412/31A	Shift Function Bar	67	AF	4412/100	Retaining Strip	67	C	4413/42	Spacer	69	C
4412/32B	Shift Function Bar	67	AG	4412/101A	Horizontal Guide Rack ..	67	AO	4413/43	Pivot Bracket	69	C
4412/38C	Gear Segment Jockey Lever	67	AG	4412/103A	Spring Anchor Pin	67	AQ	4413/44	Retaining Clip	69	AF
4412/40	Jockey Lever Pivot	67	D	4412/105	Spacing Collar	67	AP	4413/46	Bearing Bracket	69	F
		19	E	4412/106	Power Bail Arm Assembly.	67	AP	4413/47	Pivot Screw	69	AA
		67	F	4412/108	Carriage Feed Trip Lever CP	67	BJ	4413/48	L.H. Ribbon Feed Link ..	71	DR
4412/42A	Cam Roller	89	S	4412/109	Carriage Return Lever CP ..	67	BR	4413/49	L.H. Retaining Plate	71	CF
		89	BN	4412/110	Shift Beam Assembly	67	—	4413/50	R.H. Retaining Plate	71	CG
		97	CP	4412/111	Power Bail Sub Assembly ..	67	—	4413/51A	R.H. Support Spindle	71	CB
		19	D	4412/112A	Function Lever Assembly ..	67	—	4413/52C	Type Bar Casting Guide Pins	69	BN
		67	H	4412/113B	Function Unit Main Base ..	67	—	4413/54	Guide Pin	69	AY
4412/44	Retaining Washer	89	T	4412/114	Function Bar Assembly ..	67	—	4413/56	Pawl	69	CU
		89	BO	4412/115A	Function Unit Main Base ..	67	—	4413/57	Pivot Pin	69	AJ
		97	CR	4412/124C	Function Unit Main Base CP	67	—	4413/58	Felt Washer	69	AK
		67	F	4412/130A	Clamp Plate	67	A	4413/59A	Ribbon Jumper	73	O
4412/45	Felt Pad	67	M	4412/131	Nut Plate	67	AL	4413/64A	Type Bar Casting Sub Assembly	87	Y
		67	AA	4412/132	Clamping Block Plate	67	AM	4413/67	Felt Washer	69	—
		15	ER	4412/133	Clamp Plate	67	AN	4413/73A	Print Ball Casting	69	BA
		33	AA	4412/134	Function Reset Lever	67	AL	4413/75	Guide Bracket	69	N
		35	AF	4412/135	Eccentric Pin	67	XI	4413/77A	Type Ball	71	DB
4412/46	Cam Roller	37	BG	4412/136	Function Reset Base	67	AB	4413/78	Jumper Stop Arm	69	O
		41	EX	4412/138	Function Reset Casting ..	67	X	4413/79	Top Rack	69	H
		43	GN	4412/140	Felt Washer	67	WI	4413/80	Print Ball Guide Spindle ..	69	U
		67	L			67	P	4413/81	Roller Pivot	69	Q
		79	CK			67	—	4413/82	Roller Retaining Spring ..	69	C
		79	CZ			67	—	4413/83	Felt Lubrication	69	T
		81	EN			67	—	4413/84	Pivot Pin	69	S
		83	HS			67	—				P
4412/47A	Roller Pivot	67	K	S4413	Typecarriage and Ribbon Unit	7	K				—
4412/48A	Print Suppression Lever ..	67	L			69	—				—
4412/50A	Carriage Return Lever ..	67	N			71	—				—
		67	J			69	BE				—
		67	N			69	BD				—

Part No.	Part Name	Page	Index Letter	Part No.	Part Name	Page	Index Letter	Part No.	Part Name	Page	Index Letter
4413/86	Type Carriage Roller	71	CD	4413/225A	Stop Plate	69	BO	4416/13	Pawl Lever CP	73	W
4413/88	Bush	69	AZ	4413/227	Lever Return Spring CP	69	AU	4416/14	Parallel Pin	15	-
4413/91B	R.H. Ribbon Feed Link	71	DS	4413/230	Stop Bracket CP	71	DV	4416/15	Starter Switch Bracket	15	-
4413/97	R.H. Bellcrank CP	71	CS	4413/241	Bearing Plate	71	DX	4416/16	Starter Switch Lever	15	-
4413/98	L.H. Bellcrank CP	71	CQ	4413/244A	Set of Code Sectors	69	M	4416/17	Shouldered Pin	73	G
4413/101A	Ribbon Changeover Link CP	71	CM	4413/250	Set of Type Bars	69	BK	4416/18	Keyboard Trip Lever	73	H
4413/105	Ribbon Feed Lever CP	69	Z	4413/263	Ribbon Feed Drive Shaft CP	71	DD	4416/19A	Pawl Trip Plate	73	K
4413/112	Type Bail Roller	69	R	4413/264	Felt Washer	71	BM	4416/20	Bush	73	C
4413/117	Ribbon Jumper Lever Assembly	69	X	4413/265	L.H. Type Support	69	DH	4416/21A	Link Plate	73	B
4413/118	Print Bail Casting Assembly	69	-	4413/266	R.H. Type Support	69	BB	4416/22A	Pawl Release Lever Pin	73	P
4413/119A	Type Carriage Casting CP	69	A	4413/268	Type Bar Rest	69	BC	4416/23	Pawl Release Lever	73	Q
4413/122	Spacing Washer	71	CP	4413/270	Lever Return Spring CP	69	AU	4416/24	Pawl Release Lever	73	M
4413/124B	Carriage Stop Screw	69	AT	4413/276	Eccentric Pivot	69	BH	4416/25A	Ratchet Cam Drive Lever	73	N
4413/129	R.H. Stop Lever	71	CL	4413/277	Shift Roller	69	BG	4416/26A	Ratchet Stop Plate	73	AB
4413/133	Spacing Washer	71	DE	4413/278	Plate	71	DFI	4416/30A	Tread Lever	49	BE
4413/136A	Spacing Collar	71	DM	4413/279	Changeover Lever Assembly	71	DF	4416/31	Link Rod CP	49	BD
4413/137	Eccentric Bush	71	DK	4413/280	Changeover Lever CP	71	DF	4416/32	Latch Trip Lever	49	BG
4413/138	Anchor Pin	71	DP	4413/282	R.H. Clutch Band	71	DC	4416/33B	Lever Rod CP	49	BB
4413/139B	Retention Pawl	71	DL	4413/283	L.H. Clutch Band	71	DCI	4416/34A	Trip Lever	63	BO
4413/145	R.H. Tension Lever CP	71	CX	4413/284	Type Carriage Spring Anchor Plate	71	CE	4416/35	Centre Pivot Screw	49	BC
4413/146	R.H. Tension Lever CP	71	CY	S4414	Hours Counter	7	-	4416/36	Pivot Pin	49	BF
4413/147	R.H. Ribbon Tension Lever CP	71	-	4414/1	Counter Bracket	7	U	4416/49	Pawl Lever Assembly	73	U
4413/148	L.H. Ribbon Feed Pawl Assembly	71	-	4414/3	Nut Plate	7	W	4416/50	Spring Collar	73	-
4413/149	R.H. Ribbon Feed Pawl Assembly	71	-	4414/4A	Counter Gear	7	R	4416/52	Pivot Rod Support Bracket	49	BH
4413/152A	Type Carriage Sub Assembly	69	-	4414/5	Counter Gear	7	R	4416/55	Adjustment Lever	73	AC
4413/153	R.H. Roller CP	71	-	S4415D	Dashpot CP	9	AD	4416/57	Motor Control Switch Bracket	73	A
4413/154	L.H. Ribbon Tension Lever CP	71	-	4415/8A	Lubricating Felt	25	J	4416/59	Retaining Pawls Assembly	73	-
4413/155	Roller Plate	71	CH	4415/10	Anti-Surge Felt	23	F	S4417A	Link Unit	9	AC
4413/156	Roller	71	CK	4415/16A	Dashpot Cylinder CP	25	E	4417/4	Spring Anchor Plate	75	C
4413/157	Eccentric Pivot	71	CJ	4415/21	Retaining Washer	25	P	4417/9	Guide Pin	75	N
4413/159	Tension Spring	71	DU	4415/22	Dashpot Clamp	25	Q	4417/13	Special Washer	65	S
4413/160	Changeover Ratchet CP	71	CO	4415/24	Stop Pin	25	N	4417/22A	Transfer Bar No. 1	75	E
4413/163	Type Carriage Sub Assembly	69	-	4415/25A	Shim	25	G	4417/23A	Transfer Bar No. 2	75	F
4413/164A	L.H. Support Spindle	71	CC	4415/26	Gasket	25	O	4417/24A	Transfer Bar No. 3	75	G
4413/165	L.H. Roller CP	71	AV	4415/27	Dashpot Piston Assembly	25	F	4417/25A	Transfer Bar No. 4	75	H
4413/200	Type Basket Casting CP	69	J	S4416B	Motor Control Switch Unit	15	DL	4417/26A	Transfer Bar No. 5	75	J
4413/201A	Stop	69	K	4416/1	Drive Ratchet	73	R	4417/27	Spring Collar	75	T
4413/203A	Spacer	69	AC	4416/2	Driven Ratchet	73	S	4417/37	Shift Bar	75	K
4413/207	Spring Anchor	69	AB	4416/3C	Pawl	73	X	4417/49A	Spacing Collar	75	B
4413/208	Jockey Lever Assembly	69	Y	4416/5	Ratchet Pivot Pin	73	Z	4417/50	Link Unit Frame CP	75	U
4413/209C	Code Sector Bellcrank CP	69	-	4416/10A	Shouldered Screw	73	E	4417/51	Link Unit Frame	75	A
4413/212	E.O.L. Roller Plate CP	71	CA	4416/11	Cut-Out Lever	73	D	4417/54A	Latch Release Bar	75	P
4413/221A	Feed Rack	71	CA	4416/12B	Reset Trip Lever	73	L	4417/55	Pivot Pin	75	L
4413/222B	Feed Rack	71	CA					4417/56A	Stop Bracket	75	D
								4417/57	Spacing Washer	75	O
								4417/58B	Latch	75	Q
								4417/70	Cover	75	-
								4418/1	Main Shaft Pinion	27	E
								4418/2	Motor Pinion	11	RF

Part No.	Part Name	Page	Index Letter	Part No.	Part Name	Page	Index Letter
4418/3	Motor Pinion ..	11	BF	4419/58	Tape Out Lever Link ..	79	DE
4418/4	Motor Pinion ..	11	BF	4419/59A	Link Lever CP ..	79	CL
4418/5	Motor Pinion ..	11	BF	4419/62	Shouldered Pin ..	79	CW
4418/6	Transmitter Pinion ..	15	EZ	4419/63	Alarm Lever Shaft ..	79	CD
4418/10A	Transmitter Gear CP ..	27	F			17	Q
4418/11A	Feed Unit Gear ..	39	EH			25	C
4418/14A	Motor Gear CP ..	33	W			37	CF
4418/16A	Motor Gear CP ..	15	EY	4419/64A	Special Nut ..	43	HG
4418/18	Motor Gear CP ..	15	EY			79	CG
4418/21	Motor Gear CP ..	15	EY			79	CM
4418/39	Motor Gear CP ..	15	EY			79	DW
4418/42	Motor Pinion ..	15	BF	4419/65	Magnet Lever CP ..	79	EC
4418/43	Motor Gear CP ..	15	BF	4419/68A	Alarm Trip Lever ..	79	CJ
				4419/69A	Clamp Lever ..	79	CE
S4419A	Tape Reader Unit ..	7	B			79	CF
		75	-			79	DU
		77	-			79	DV
		79	-			79	CO
		81	-			79	CR
		83	-			79	DH
4419/1B	Camshaft ..	83	GH	4419/70	Start Inhibit Lever ..	79	DU
4419/2	Striker Cam ..	83	HE	4419/71	Flanged Bush ..	79	CO
4419/3A	Send/Receive Cam ..	83	HB	4419/72A	Rack ..	79	CR
4419/4A	Delay Disk Cam ..	83	HD	4419/73	Rack ..	79	DH
4419/5C	Cam Sleeve ..	83	GK	4419/74	Peckers Spring Blade ..	79	DL
4419/6	Cam Spacer ..	83	HC	4419/75	Peckers Spring Blade ..	79	DL
4419/7	Cam Spacer ..	83	HA	4419/76	Plate ..	79	DK
4419/8	Key ..	83	GL	4419/78	Send/Receive Switch Cam Lever CP ..	79	DJ
4419/10	Felt Washer ..	83	GQ	4419/79	Transmitter Delay Trip Lever Link ..	77	AR
4419/11B	Clutch ..	83	GO	4419/82	Link ..	77	AS
4419/12A	Ratchet Clutch ..	83	GR	4419/83	Striker Lever ..	77	AW
4419/13	Clutch Friction Flange ..	83	GP	4419/84	Striker Lever Shaft ..	77	R
4419/14A	Bearing Retaining Plate ..	83	HH	4419/85	Pin ..	77	AT
4419/19	Retaining Ring ..	83	HF	4419/86	Spring Anchor ..	77	AY
4419/21C	Shouldered Pin ..	83	HN	4419/87	Anchor Pin ..	77	V
4419/23	Clutch Stop Lever ..	83	HO	4419/88	Bracket ..	77	U
4419/25B	Clutch Reset Lever CP ..	83	HQ	4419/89	Bracket ..	83	HY
4419/29	Reset Alarm Stop Lever ..	83	HR	4419/92B	Eccentric Pin ..	83	JJ
4419/30	Clamp Plate ..	77	AU	4419/94	Parallel Pin ..	83	JG
4419/31	Shaft ..	81	EK	4419/95	Parallel Pin ..	83	JC
4419/32A	Sequential Lever ..	81	EP	4419/97A	Start Key Latch Lever ..	83	JF
4419/33	Alarm Stop Lever ..	81	ES	4419/98	Collar ..	83	JB
4419/35A	Feed Cam Lever CP ..	81	EM	4419/99A	Keyboard Inhibit Lever ..	83	JB
4419/37A	Link CP ..	81	EV	4419/101A	Stop Reset Lever ..	83	JA
4419/43D	Tape Guide Plate ..	81	FT	4419/103	Parallel Pin ..	83	JN
4419/44A	Feed Wheel ..	81	FH	4419/107E	Mounting Bracket ..	77	A
4419/46B	Pawl Carrier CP ..	81	FB	4419/109C	Tape Gate ..	77	FX
4419/50A	Pawl ..	81	FE	4419/110	Parallel Pin ..	81	FZ
4419/51	Pecker ..	79	DC	4419/112B	Tape On Switch Bracket ..	83	HM
4419/52	Rack ..	79	CY	4419/113	Bracket ..	79	CB
4419/53A	Pin ..	79	DA	4419/114	Spring Anchor Pin ..	79	CC
4419/54B	Tape Out Lever CP ..	79	-	4419/115	Alarm Switch Plate ..	79	DT
				4419/116	Switch Clamp Plate ..	31	L
				4419/118	Bracket CP ..	43	JT
				4419/121	Magnet Latch Lever ..	79	EG
				4419/122A	Parallel Pin ..	79	DN
						79	DO
						79	DP

Part No.	Part Name	Page	Index Letter	Part No.	Part Name	Page	Index Letter	Part No.	Part Name	Page	Index Letter
4419/247	Bail	79	CT	4420/3A	Support Pin	85	G	S4424B	Machine Assembly	7	-
4419/248B	Bail Shaft	79	CS	4420/5	Rack Tray	85	A	4424/1	Type Carriage Support Bar	7	M
4419/253	Backing Plate	83	HL	4420/7A	Trip Bar	85	F	4424/2	Special Screw	7	N
4419/255	Cam Lubricator CP	83	HK	4420/8	Carriage Return Bar CP	85	E	4424/4A	Tie Rod	11	BA
4419/256A	Bail Shaft Sub Assembly	79	-	4420/9A	Carriage Return Leaf Spring	85	D	4424/5A	Print Channel	21	B
4419/257	Retaining Washer	83	GV	4420/10A	Spring Anchor Bar	85	C	4424/7	Special Screw	21	E
4419/258	Felt Strip	83	GX							89	CE
4419/259A	Felt Washer	83	GY	4421/3C	R.H. Location Pad	53	N	4424/12	R.H. Side Frame CP	7	G
4419/264A	Special Screw Eccentric	81	EO	4421/5B	L.H. Location Pad	53	U	4424/14A	Bail Lever	25	A
4419/270A	Mounting Bracket CP	77	-	4421/9B	L.H. Guide Dowel	53	V	4424/20	Bail and Shaft CP	25	B
4419/271	Bearing Retainer	77	BG	4421/10A	R.H. Guide Dowel	53	O	4424/21	Special Screw	7	P
4419/274	Link CP	77	AV	4421/13A	Spring Retainer	53	P	4424/24	Connecting Arm Assembly	25	D
4419/276	Leaf Spring	81	GA	4421/20A	Mains Cord Assembly	53	W	4424/35A	Paper Roll Bar Assembly	11	BD
4419/277	Plate	81	GB	4421/21A	L.H. Location Pad Assembly	53	-	4424/41	Felt Washer	15	EF
4419/278	Start Trip Lever CP	83	HZ	4421/24A	Earth Connector CP	53	T	4424/43	L.H. Lifting Handle	9	AO
4419/279	Switch Lever	83	JO	4421/25	Mains Cord	53	AE	4424/56	Special Screw	7	T
4419/280	Clamp Bolt	83	JP	4421/29B	R.H. Location Pad Assembly	53	-	4424/57	R.H. Lifting Handle	7	S
4419/281A	End Cover	83	GT	4421/33	Mains Cord Assembly	53	-	4424/60	Spring Anchor	17	AA
4419/282	Spacer	83	GU	4421/37	Mains Cord	53	-	4424/65	L.H. Spring Anchor Plate	23	G
4419/284	Stop Plate CP	81	FM	4421/38	Mains Cord Assembly	53	-	4424/66A	R.H. Spring Anchor Plate	23	H
4419/286A	Clamp Plate	79	DM					4424/67	Carriage Return Spring CP	23	-
4419/287	Link Adjusting Plate	81	EU	4422/4	Adjustment Washer	23	-	4424/70	Mounting Bracket	13	CX
4419/288A	Stop Lever Rack	77	BD					4424/73	Paper Low Assembly	31	-
4419/290	Link CP	81	-	4422/7	Paper Roll Holder	9	AH	4424/74	Plate	31	A
4419/293	Lever CP	79	DD	4422/8	L.H. Side Frame	15	BJ	4424/75	Paper Low Arm CP	31	B
4419/295	Eccentric Pin	83	JL	4422/10A	Clutch Detent Lever CP	15	DZ	4424/77	Switch Lever	31	D
4419/296	Contact Mounting Plate CP	77	C	4422/11	Roller Pivot	15	EQ	4424/78	Pivot Pin	31	E
4419/298	Plate	77	AF	4422/12	Clutch Detent Lever Pivot Pin	15	ET	4424/79	Spring Anchor	31	F
4419/299	Stop Plate CP	77	P	4422/13	Detent Lever Guide	15	EV	4424/80	Latch Lever	31	G
4419/303A	Jockey Pivot	77	AJ	4422/14	Felt Pad	15	ES	4424/81	Pivot Pin	31	H
4419/304	Anchor Pin	77	AG	4422/15	Felt Washer	15	EU	4424/82	Spacer	31	J
4419/306	Lever CP	79	EB	4422/16A	Dashboard Lever	9	AE	4424/86	Switch Spacer	31	K
4419/307A	Mounting Bracket Casting Assembly	77	-	4422/17	Dashboard Lever Pivot	9	AG	4424/99	Paper Low Arm and Roller CP	9	AP
4419/308	Eccentric Anchor Pin	77	BE	4422/18	Special Washer	9	AF	4424/100	Microswitch and Plug CP	31	-
4419/309	Clamp Plate	77	BJ	4422/19B	Clutch Detent Lever	15	EN	4424/103	Print Suppression Member CP	19	M
4419/314	Cableform CP	79	-	4422/21	Latch Reset Sub CP	15	EA				
4419/315	Cableform CP	83	-	4422/25A	Latch Reset Pivot Pin	15	ED	S4425A	Tape Punch Unit	9	AK
4419/316A	Spacer and End Cover CP	83	-	4422/27A	Eccentric Roller Pivot	15	EB				
4419/319	Belt	83	HG	4422/31	Code Read Lever CP	15	EG				
4419/320	Plate	83	HJ	4422/32A	Pivot Pin	15	EK				
4419/321	Roller Bracket	79	DY	4422/33	Roller	15	EC				
4419/322	Belt Tensioner Assembly	79	-	4422/34A	Code Read Lever Assembly	15	EH				
4419/323	Latch	81	FW	4422/36	Storage Latch Reset CP	15	-				
4419/324	Release Button	81	FU	4422/38	Felt Lubrication	23	B				
4419/354	Jockey Assembly	77	-	4422/41	L.H. Side Frame	15	DZ	4425/2	Bush	89	BG
S4420	Pull Bar Assembly	15	DM	4422/43	Clutch Stop Pin	15	EO	4425/3A	Clutch Return Spring	89	BJ
4420/1A	Support Shaft	85	-	4422/44	Platen Spindle Bracket	9	AD	4425/6	Bush	89	BM
4420/2	Pull Bar Rack	85	H	4422/46	L.H. Side Frame	15	AJ	4425/7B	Bearing Bush	87	C

Part No.	Part Name	Page	Index Letter	Part No.	Part Name	Page	Index Letter	Part No.	Part Name	Page	Index Letter
4425/10C	Punch Unit Casting	87	A	4425/99A	Feed Lever 2nd CP	89	BL	4425/2208	Pressure Roller Bracket Assembly	93	-
4425/12	Retention Wheel	89	CC	4425/100A	Drive Arm 2nd CP	89	BF	4425/221D	Switch Bracket	93	FF
4425/13A	Punch Operating Arm	91	DE	4425/101A	Spring Anchor	87	AF	4425/226	Plug Adaptor	93	FL
4425/16B	Punching Frame	91	DD	4425/102A	Clutch Plate CP	89	BH	4425/228B	Magnet Bracket	93	FE
4425/14A	Feed Shaft	89	BZ	4425/106	Code Selecting Bar	91	UH	4425/229	Magnet Push Rod	93	FM
4425/18A	Reset Frame CP	87	U	4425/107B	Rack	87	AH	4425/231	Remote Control Latch	93	EW
4425/19	Spacer	91	DG	4425/112	Anvil Bar Rack	91	DK	4425/234	Latch Pivot	93	EF
4425/23A	Trunnion Block	89	CX	4425/123	Feed Lever Assembly	89	-	4425/237D	Cover Plate CP	93	-
4425/24	Back Feed Ratchet	97	L	4425/124A	Punch Lever Assembly	88	-	4425/238G	Cover Plate	93	EA
4425/32A	Drive Arm CP	89	CD	4425/125	R.H. Cam Lever Assembly	97	-	4425/239	Feed Shaft Outer Bush	93	EE
4425/33C	Clutch Shaft	87	E	4425/127	L.H. Cam Lever Assembly	97	-	4425/240A	Reset Pivot Pin	93	EU
4425/36C	Latch Reset Ring	89	BE	4425/128	Cam Lever Spacer	97	H	4425/241A	Reset Link	93	ES
4425/39B	Manual On/Off Control	87	F	4425/129B	Cam Lever Eccentric	97	G	4425/242A	Remote Control Off Lever	93	EC
4425/40	Reset Roller	87	AC	4425/130A	Drive Crank Pivot	97	N	4425/243	Cableform	93	EZ
4425/41A	Anvil Bar Rack	91	V	4425/132A	Shaft Retaining Plate	97	O	4425/244A	Spring Anchor	93	EN
4425/43	Reading Bar Pivot	87	DN	4425/134B	Cam Lever Bracket	97	M	4425/245	Locating Dowel Sleeve	79	FJ
4425/44A	Punch Frame Pivot	87	AS	4425/135	L.H. Cam Lever CP	97	C	4425/249B	Electromagnet CP	93	-
4425/45A	Punch Bar	91	DR	4425/137	R.H. Cam Lever CP	97	J	4425/249A	Reset Arm CP	93	EV
4425/46A	Punch Bar Rack	87	DF	4425/138	Cam Lever Bolt	97	A	4425/250	Spacer	95	GN
4425/47A	Transfer Bar Rack	87	AG	4425/139B	Drive Crank CP	97	D	4425/251A	Special Bolt	87	H
4425/49	Bracket	91	DM	4425/140A	Drive Arm Assembly	7	D	4425/254B	Cover Plate 2nd Assembly	93	-
4425/50	Retention Lever	89	BS	4425/142A	Roller	97	C	4425/255C	Cover Plate Assembly	93	-
4425/53	Shaft Locating Plate	89	CB	4425/144	Roller Pivot	99	E	4425/256	Spring Anchor	93	EG
4425/55	Eccentric Bush	89	BW	4425/153	Tape Roller	99	G	4425/257B	Spring Anchor 2nd CP	93	-
4425/54A	Roller Pivot	89	BT	4425/156	Roller Pivot Assembly	99	H	4425/258B	Cableform 1st Assembly	93	EZ
4425/55	Retention Roller	89	BU	4425/159A	Switch Operating Arm	99	O	4425/259B	On/Off Control Lever Assembly	93	-
4425/56A	Cam Spacer	91	DH	4425/171	Button Bracket	95	D	4425/267	Back Space Pawl Assembly	93	-
4425/60	Special Screw	91	DJ	4425/172	Roller	95	FR	4425/268A	Anvil Bar Assembly	89	-
4425/61A	Pawl Lever Pivot	89	BB	4425/173	On Link	95	FX	4425/269A	Suppression Frame Assembly	91	-
4425/65	Back Feed Pawl	89	BC	4425/178	On/Off Latch Lever Assembly	95	FU	4425/270A	Drive Arm Assembly	87	-
4425/66A	Washer	89	BV	4425/179	Button Pivot Pin	95	-	4425/271	Suppression Latch Assembly	87	-
4425/68	Roller Pivot	87	W	4425/180	Clutch Operating Rod	95	GC	4425/276	Retention Lever Assembly	89	-
4425/69A	Suppression Lever Rack	87	S	4425/181	Latch Pivot	95	FV	4425/283	Deflector	95	GP
4425/70	Suppression Latch Pivot	87	Q	4425/183	Button Stop	95	FZ	4425/284A	Code Reading Bar No. 1	87	AJ
4425/72	Latch Pin	87	P	4425/184A	Latch Lever Pivot	95	GL	4425/285A	Code Reading Bar No. 2	87	AK
4425/73A	Punch Suppression Latch	87	O	4425/186	Retention Release Lever	95	FT	4425/286A	Code Reading Bar No. 3	87	AL
4425/80B	Reset Frame Pivot	87	X	4425/188B	Tape Release Key	95	FS	4425/287A	Code Reading Bar No. 4	87	AM
4425/81B	Suppression Lever Pivot	87	L	4425/191	Latch CP	95	GM	4425/288A	Code Reading Bar No. 5	87	AN
4425/82A	Reset Sleeve	87	G	4425/192	Back Space Key	95	GJ	4425/301B	Actuator	93	FH
4425/83A	Anvil Return Pin	87	K	4425/195A	Perforator Off Key	95	GA	4425/359	Clutch Spring Retaining Plate	89	BK
4425/84C	Punch Suppression Frame	87	J	4425/196	Perforator On Key	95	GG	4425/363	Remote Control Lever	93	ER
4425/85B	Punch Suppression Lever	87	AP	4425/201	Punch Unit Button Assembly	95	GE	4425/364	Oil Felt	89	CA
4425/89	Oil Felt	87	T	4425/214D	Pressure Roller	95	GD	4425/376A	Clutch Shaft Assembly	89	-
4425/90	Retaining Washer	89	ET	4425/215	Pressure Roller Pivot	93	EJ	4425/378	Spring Anchor Plate	87	AB
4425/91	Feed Lever CP	89	FW	4425/217A	Pivot Pin	93	EK	4425/381	Washer	87	AD
4425/95B	Punch Unit Casting CP	87	CO	4425/218B	Bearing Bush	93	EL	4425/383	Snatch Roller Assembly	9	AM
4425/96B	Suppression Reset Ball CP	37	-	4425/219B	Control Bar Rack	93	EB	4425/394	Snatch Roller Bracket	99	K
4425/97	Pawl Lever CP	89	BA				ED				
4425/98A	Feed Selecting Bar	91	DP								

Part No.	Part Name	Page	Index Letter	Part No.	Part Name	Page	Index Letter	Part No.	Part Name	Page	Index Letter
4425/395	Roller Pin	89	CH	4426/15	Socket Mounting Plate.. ..	13	CH	AA NUMBERS			
4425/396	Roller	89	CG	4426/16C	Signal Cableform CP.. ..	13	BQ	AA19/1	Motor Brush CP	109	S
4425/397	Roller Bracket CP	99	N	4426/26	Double Plug Plate CP	13	BR	AA20/1	Motor Brush CP	109	S
4425/400	Roller Bracket Assembly	89	J	4426/27	Double Plug Plate	13	BR	AA21/1	Governor Brush CP	109	AF
4425/401	Roller Bracket	89	CF	4426/28	Capacitor Support Plate	13	CN	BO NUMBERS (BOUGHT OUT)			
4425/405C	Cuttings Chute CP	91	DC	4426/29	Capacitor Support Plate CP ..	13	CP	BO2633/2	Ink Ribbon	7	L
4425/407A	Tape Guide A ssembly	93	AN	4426/30	Capacitor Clamp	13	CO	BO2659	Capacitor	105	F
4425/413	Tape Guide CP	9	DU	4426/32	Capacitor Insulator	13	CU	BO2670A	3-Pin Samp Socket.. .. .	111	P
4425/415	Punch Withdrawing Bracket CP ..	91	DV	4426/33	Capacitor and Resistor	13		BO2677	3-Pin 5amp Plug	53	AG
4425/418	Punch Withdrawing Frame	91	DL	4426/34	Support Plate	13		BO2678	9-Way Plug	53	
4425/419	Rack Retainer	91	CU	4426/36	Support Plate CP	13	CR	BO2679	9-Way Socket	53	
4425/420	Feed Lever Pivot	89	EH	4426/38	Resistor Support Plate CP.. ..	13	BV	BO2933/9	Fuse Link	111	Y
4425/421	Pressure Roller Bracket	93	BY	4428/3A	Resistor Insulator	13	BW	BO3326/103	Resistor.. .. .	13	CT
4425/422	Back Space Pawl Guide	89	DB	S4429A	Cover Window and L ectern ..	57	F	BO3548/8	Resistor.. .. .	111	M
4425/426A	Punch Block Mounting Frame	91	K	4429/9A	L ectern F ixing Plate	57	O	BO3549/8	Resistor.. .. .	105	N
4425/441	Eccentric Pin	97	Z	4429/10	L ectern Plate.. .. .	57	A	BO3549/10	Resistor.. .. .	13	
4425/442A	Reset Link Assembly	87	AA	4429/11	L ectern Blade Bar	57	B	BO3549/21	Resistor.. .. .	13	DF
4425/443	R.H. Reset Link CP	87	AL	4429/13	L ectern Blade	57	C	BO3549/31	Resistor.. .. .	111	AF
4425/444A	Tape Reel Assembly	9	A	S4430	Governor CP	107	R	BO3815/13	Resistor.. .. .	111	AJ
4425/568	Tape Reel Holder	99		4430/1	Governor Spring CP.. .. .	113	P	BO3854/3	Thrust Bearing	83	GS
4425/569	Tape Reel Holder CP	99		4442/26	Keyboard Mask	55		BO3942/18	Resistor Mounting	111	AH
4425/574	Tape Out Lever A ssembly.. .. .	99		4442/28	Special Nut	23	C	BO3993/1	Microswitch	45	JH
4425/608	Stop Pin	93	FN	4450/2	RIS Unit CP	13	DE			79	KN
4425/611	Feed Pawl Eccentric	89	CT	4455/11	RIS Box CP	13	DE			83	JS
4425/612	Feed Pawl CP	89	CS	4493/11	3-Way Plug	65	Q			93	FA
4425/613	Feed Lever 2nd A ssembly.. .. .	89	EO	4494/16	Stator CP	103	A			83	JM
4425/615A	Tape Guide Bracket CP	93	CL	MOTORS						77	BL
4425/616	Roller	89	CK	Ref 652	Governed Motor	107	Q			45	Y
4425/617	Roller Pin	99	L	MR656/0102		109				7	KG
4425/618	Roller	89	CK	MR656/0103						13	J
4425/625	Roller Spindle	89	CJ	MR656/0202	Synchronous Motor	101	Q			43	DA
4425/626	Spring	95	GQ	MR656/1202		103				61	JO
4425/628	Tape Guide 1st A ssembly.. .. .	93	EP	MR656/0903						77	AR
4425/631	Tape Reel Centre CP	99	B	MR656/0703	Governed Motor	107	Q			87	RN
S4426C	Signal Cableform CP	13								87	AU
4426/1	Location Dowel	13	CF							93	FK
4426/2	Punch Unit Socket Bracket	13	CE							13	DB
4426/3	Socket Mounting Plate	13	CC							109	AH
4426/8A	Mains Cableform CP	13	BX							105	R
4426/11	Motor Socket Mounting Plate	13								95	GO
4426/12	Transmitter Socket Mounting	13								13	CV
4426/13	Tape Reader Socket Mounting	13								105	H
4426/14	Punch Unit Socket Bracket CP	13								111	R
										105	C
										33	Y
										45	KC
										27	D
										105	C

Part No.	Part Name	Page	Index Letter	Part No.	Part Name	Page	Index Letter	Part No.	Part Name	Page	Index Letter
CT NUMBERS (CONNEXION TABS)											
CT1273	Earth Connector CP.	107	Z	PG3347	Clutch Band	39	DH	PG5221A	Compression Spring	25	L
CT1273	Earth Connector CP.	107	U	PG3348	Torsion Spring	29	AC	PG5222A	Compression Spring	25	M
CT5133	Connecting Link	111	AQ	PG3350A	Pressure Roller Spring	93	BL	PG5225	Compression Spring	43	HN
KB NUMBERS (KEYBUTTON)											
KB1020	Keybutton	49	AP	PG3351	Torsion Spring	81	EM	PG5227	Tension Spring	31	CM
PB NUMBERS (BUSHES)											
PB4839	Bush	79	CV	PG3353	Torsion Spring	83	JD	PG7297	Trip Spring	49	Y
PB4390	Collar	35	J	PG3354	Torsion Spring	83	JE	PG7480	Trip Latch Spring	33	AO
PB5034	Resistor Cover Spacer	111	AB	PG3355	Latch Spring	33	BC	PG7695A	Tension Spring	29	AN
PC NUMBERS (CONTACTS)											
PC3015	Contact Screw	113	G	PG3356A	R.H. Torsion Spring	71	DO	PG7696	Tension Spring	29	AC
PE NUMBERS (INSULATORS)											
PE1156	Insulating Sleeve	105	G	PG3357A	L.H. Torsion Spring	71	DN	PG7697	Tension Spring	29	AB
PE1255	Sleeve	111	Q	PG3358	Torsion Spring	71	CT	PG7698	Tension Spring	29	AA
PF NUMBERS (LUBRICATORS)											
PF1113	Felt Washer	79	CH	PG3359	Torsion Spring	71	CR	PG7700	Tension Spring	17	Y
PF1115	Oil Felt	85	K	PG3360A	Torsion Spring	37	BJ	PG7701A	Tension Spring	17	R
PF1116	Felt Washer	43	HQ	PG3361A	Torsion Spring	35	AJ	PG7702A	Tension Spring	17	Z
PF1212	Oil Felt	85	J	PG3363A	Torsion Spring	37	CH	PG7703A	Tension Spring	83	HW
PF1213	Felt Lubrication	67	AK	PG3364	Torsion Spring	41	EV	PG7705	Tension Spring	37	CS
PF1214	Print Bail Oiling Felt	69	W	PG3366	Torsion Spring	63	AS	PG7708A	Tension Spring	73	AF
PG NUMBERS (SPRINGS)											
PG3015	Lectern Blade Spring	57	F	PG3367	Torsion Spring	43	GO	PG7709	Tension Spring	15	EE
PG3326C	Tors on Spring	37	BX	PG3370	Torsion Spring	37	CD	PG7710	Tension Spring	91	DQ
PG3334A	Torsion Spring	29	AF	PG3384	Send and Receive Lever Spring	37	BQ	PG7711	Tension Spring	15	DR
PG3335	Tors on Spring	29	R	PG3400A	Tape Tension Spring	99	M	PG7712	Tension Spring	73	J
PG3337A	Tors on Spring	67	BU	PG3441	Torsion Spring	75	M	PG7715	Tension Spring	81	AZ
PG3339	Tors on Spring	73	Y	PG3444	R.H. Torsion Spring	31	J	PG7716A	Tension Spring	77	BA
PG3340	Tors on Spring	79	CX	PG3445	L.H. Torsion Spring	29	AV	PG7717	Tension Spring	77	ED
PG3341C	Tors on Spring	81	FC	PG3452	R.H. Torsion Spring	29	AU	PG7719	Tension Spring	79	BB
PG3342B	Tors on Spring	81	ER	PG3463	L.H. Torsion Spring	29	AU	PG7723A	Tension Spring	81	DX
PG3343	Compression Spring	83	HU	PG3454	Torsion Spring	83	JQ	PG7724	Tension Spring	63	EW
PG3344	Tors on Spring	83	JM	PG3455A	Torsion Spring	81	FV	PG7725	Tension Spring	63	G
PG3346B	Tors on Spring	73	T	PG3456	Torsion Spring	73	AE	PG7727	Tension Spring	63	AX
PH NUMBERS (LUBRICATORS)											
PH1113	Felt Washer	79	CH	PG3458	Torsion Spring	29	AV	PG7728	Tension Spring	63	AF
PH1115	Oil Felt	85	K	PG3459	Torsion Spring	29	AV	PG7729A	Tension Spring	63	S
PH1116	Felt Washer	43	HQ	PG3460	Torsion Spring	29	AF	PG7730A	Tension Spring	63	AE
PH1212	Oil Felt	85	J	PG5189	Compression Spring	53	R	PG7731	Tension Spring	37	T
PH1213	Felt Lubrication	67	AK	PG5190A	Compression Spring	53	X	PG7732	Clutch Detent Spring	33	CU
PH1214	Print Bail Oiling Felt	69	W	PG5191	Compression Spring	17	M	PG7734	Feed Lever Tension Spring	33	AP
PG NUMBERS (SPRINGS)											
PG3015	Lectern Blade Spring	57	F	PG5192	Compression Spring	51	H	PG7736	Tension Spring	69	AS
PG3326C	Tors on Spring	37	BX	PG5193	Spring Ejection	51	N	PG7737	Tension Spring	71	DG
PG3334A	Torsion Spring	29	AF	PG5197	Compression Spring	47	AH	PG7738A	Tension Spring	71	CN
PG3335	Tors on Spring	29	R	PG5198A	Compression Spring	47	C	PG7739B	Tension Spring	69	DT
PG3337A	Tors on Spring	67	BU	PG5199	Compression Spring	39	DY	PG7740	Tension Spring	71	AP
PG3339	Tors on Spring	73	Y	PG5200	Compression Spring	33	I	PG7741	Shift Beam Spring	67	DQ
PG3340	Tors on Spring	79	CX	PG5201	Compression Spring	83	GM	PG7742	Tension Spring	67	BT
PG3341C	Tors on Spring	81	FC	PG5202	Compression Spring	83	GN	PG7743	Tension Spring	57	AR
PG3342B	Tors on Spring	81	ER	PG5203	Compression Spring	63	BF	PG7744	Tension Spring	57	AS
PG3343	Compression Spring	83	HU	PG5205	Compression Spring	77	X	PG7745A	Tension Spring	67	AT
PG3344	Tors on Spring	83	JM	PG5207B	Compression Spring	81	FK	PG7746	Tension Spring	67	AU
PG3346B	Tors on Spring	73	T	PG5212	Compression Spring	87	AE	PG7747	Tension Spring	61	AV
				PG5217	Torsion Spring	15	EM	PG7748	Tension Spring	61	AK
				PG5219	Compression Spring	65	H	PG7749	Tension Spring	59	AJ
											F

Part No.	Part Name	Page	Index Letter	Part No.	Part Name	Page	Index Letter	Part No.	Part Name	Page	Index Letter
PG7750	Tension Spring	73	AA	PG7834	Tension Spring	91	DW	PW5232	Shim	73	AJ
PG7751	Trip Bar Spring	85	L	PG7843	Tension Spring	73	AG	PW5232	Shim	83	HV
PG7752	Tension Spring	85	M	PG7846	Tension Spring	63	AW	PW5491	Special Washer	15	EP
PG7454B	Tension Spring	43	GG	PG7851	Tension Spring	83	JR	PW5429	Special Washer	33	AE
PG7706A	Tension Spring	93	EY	PG7854	Tension Spring	79	DEI	PW5560	Washer	13	DD
		75	S	PG7857A	Tension Spring	43	GV	PW5760	Shim	13	COI
		31	M			77	AO	PW5790	Shim	83	HX
PG7755	Tension Spring	35	L					PW5794	Spring Washer	49	BJ
		37	BL					PW5803	Shim	73	F
PG7755	Tension Spring	35	AW			105	D			81	GC
PG7756	Tension Spring	35	AQ	PK NUMBERS (CLEATS)				PW5838	Retaining Washer	101	M
PG7757	Tension Spring	41	FC	PK1210	Capacitor Clip					107	M
PG7758	Tension Spring	41	FA							101	C
PG7759	Tension Spring	39	FC					PW5840	Retaining Washer	107	D
PG7760	Tension Spring	41	FO							107	V
PG7761	Tension Spring	35	AZ			11	BK			53	Q
		37	CP					PW5931	Special Washer	53	Y
PG7762	Tension Spring	41	FH	PP NUMBERS (PINS)						81	FL
PG7763	Tension Spring	37	CO	PP8141	Dowel Pin	101	H	PW5934	Washer	69	L
PG7764	Tension Spring	37	CQ			107	H	PW5937	Shim	83	HOI
PG7765	Tension Spring	41	FJ	PP8142	Socket Plate Dowel Pin	101	J	PW5946	Special Washer	89	BQI
PG7766B	Tension Spring	15	EW			107	J				
PG7767	Tension Spring	23	E								
PG7768	Tension Spring	89	BD	PS NUMBERS (SCREWS)							
PG7768A	Tension Spring	89	EX	PS5032	Special Screw	101	N				
PG7770	Tension Spring	87	AX	PS5194	Stop Screw	107	N	RB NUMBER (RUBBER FEET)			
PG7771	Tension Spring	87	AO	PS5289	Special Screw	65	L	RB1057	Clamping Washer	57	L
PG7773	Tension Spring	89	BR	PS5751A	Special Screw	111	AA	RB1059	Rubber Stop	101	V
PG7774B	Tension Spring	87	N	PS6527	Adjusting Screw	71	DW				
PG7775B	Tension Spring	87	F			113	R	RL NUMBERS (ROLLERS)			
PG7776	Tension Spring	99	AT	PS7156	Motor Unit Screw	101	L	RL1211	Lectern Blade	57	D
PG77779	Tension Spring	87	GB			107	L				
PG7780	Tension Spring	95	GF	PS7157	Cover Screw	101	D	SP NUMBERS (SPACE BARS)			
PG7781	Tension Spring	95	GH	PS7158	Special Shouldered Screw	101	C	SP1010	Space Pad CP	49	AF
PG7782	Tension Spring	95	GK	PS7159	Special Screw	107	CZ	SP1011/2	Figs Pad	49	AH
PG7783	Tension Spring	95	FY	PS7245	Special Screw	13	U	SP1011/3	Letters Pad CP	49	AK
PG7801	Tension Spring	69	AE	PS7252	Special Screw	57	E				
PG7802A	Tension Spring	35	AL	PS7263	Screw Pozidriv	51	K				
PG7719	Tension Spring	79	CN	PS7264	Screw Pozidriv	53	D				
PG7820A	Jockey Spring	43	JS	PS7265	Screw Pozidriv	53	G				
PG7822A	Pawls Tension Spring	33	BH	PS7268	Special Screw	57	K				
		79	CO	PS8628	Screw Pozidriv	69	N				
PG7823	Tension Spring	79	DQ			13	AD				
PG7824	Tension Spring	79	CP	PS8630	Pozidriv Screw	13	CB				
PG7825	Tension Spring	75	R			29	DC				
PG7830	Governor Brush Spring	103	AG	PS8705/76	Pozidriv Screw	57	AO				
PG7831A	Jockey Lever Spring	67	F				Q				
PG7832	Tension Spring	31	N	PW NUMBERS (WASHERS)							
PG7833	Tension Spring	31	O	PW4028	Spring Washer	109	N				