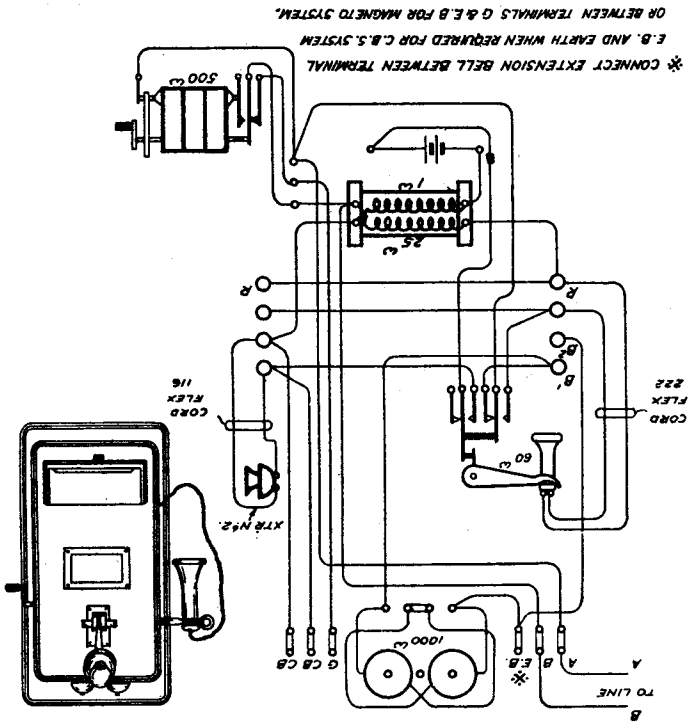
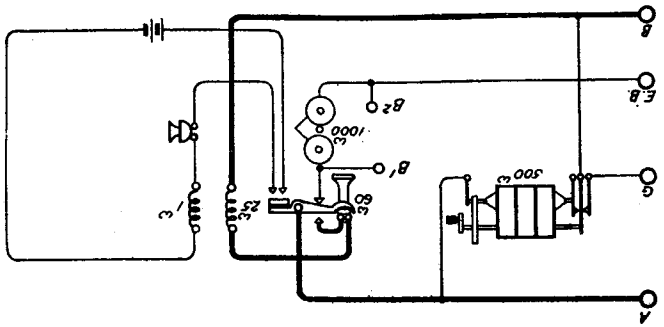


TELEPHONE No. 11

(MARK 238)



FOR C.B.S. WORKING CONNECT E.B. TO EARTH AND JOIN BELL COILS IN PARALLEL.
 FOR MAGNETO WORKING CONNECT E.B. TO GENERATOR TERMINAL G.

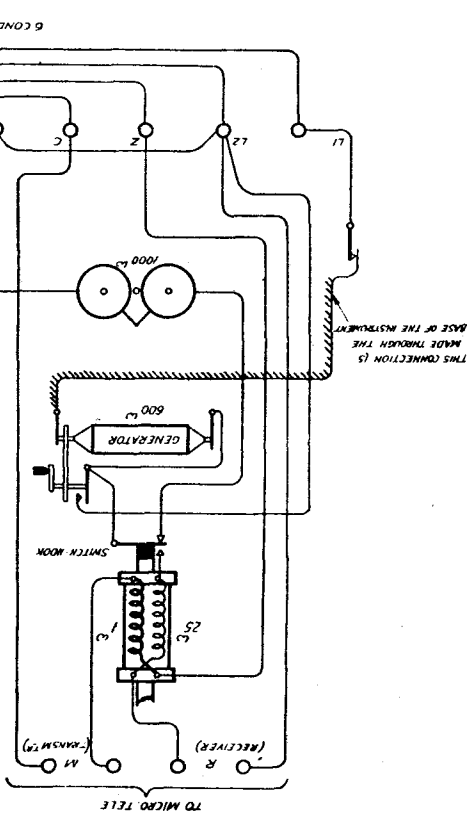
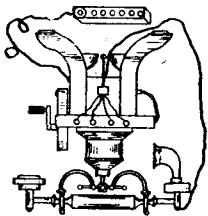


N.111

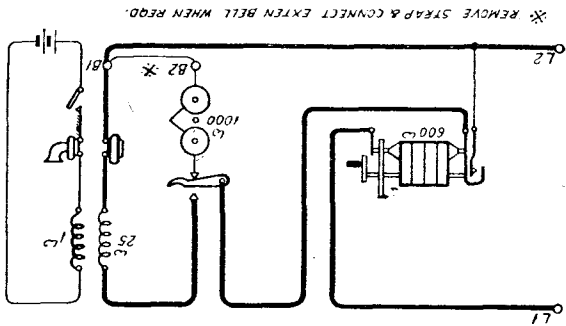
C.B.S. 284

21-3-17

TELEPHONE No. 16.



N.116. TL 208



EXPLANATORY

BELL SET No. 5.

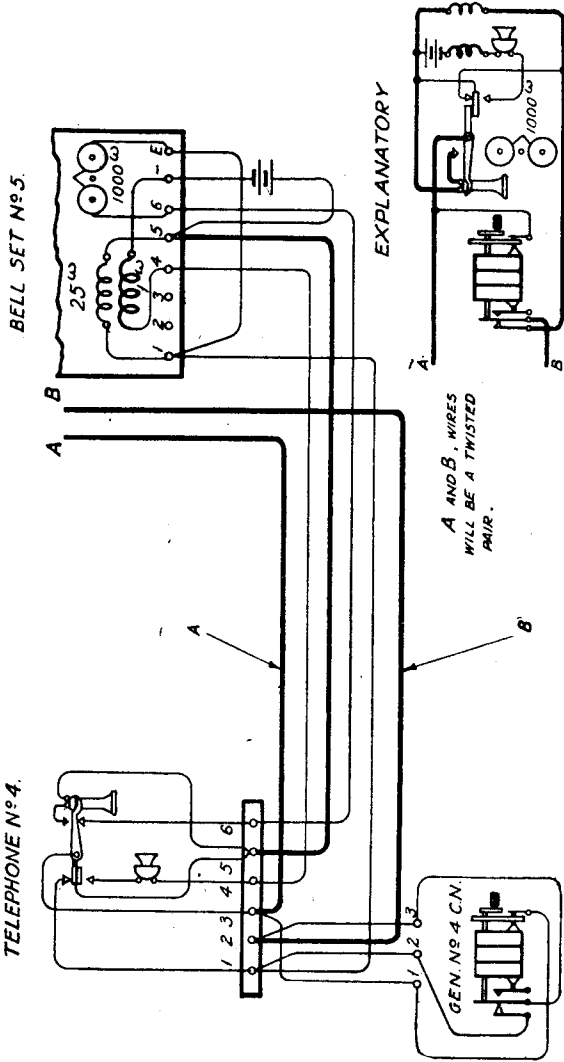
N.505A.

3-7-20

(Sheet 2) C.B.S. 265.

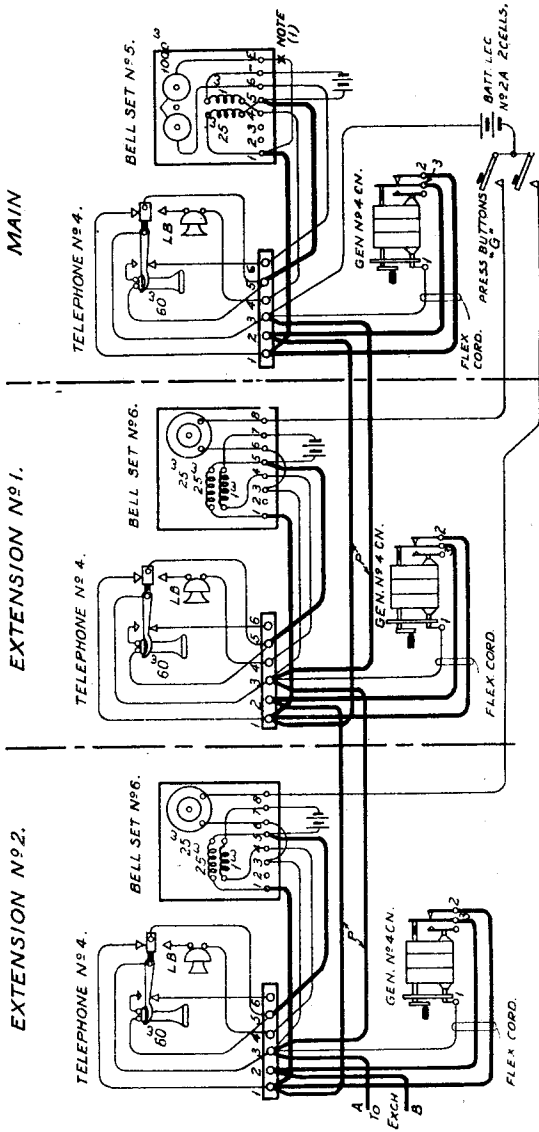
FIG. 4. CONNECTIONS FOR MAGNETO SYSTEM.

TELEPHONE N° 4.



MAGNETO SYSTEM. N.1380. 5-11-20
EXTENSION WORKING. PLAN No. 1 (INTERNAL ONLY). TL 770

MAIN—TABLE SET.
 EXTENSION No. 1—TABLE SET.
 EXTENSION No. 2—TABLE SET



NOTE (1): IN AREAS WHERE THE MAGNETO SUBSCRIBER CONTROLS THE SUPERVISORY SIGNAL AT A DISTANT C.B. EXCH., INSERT 2 M.F. CONDENS. AT POINT X.

MAGNETO SYSTEM.

N.1381

15-11-20

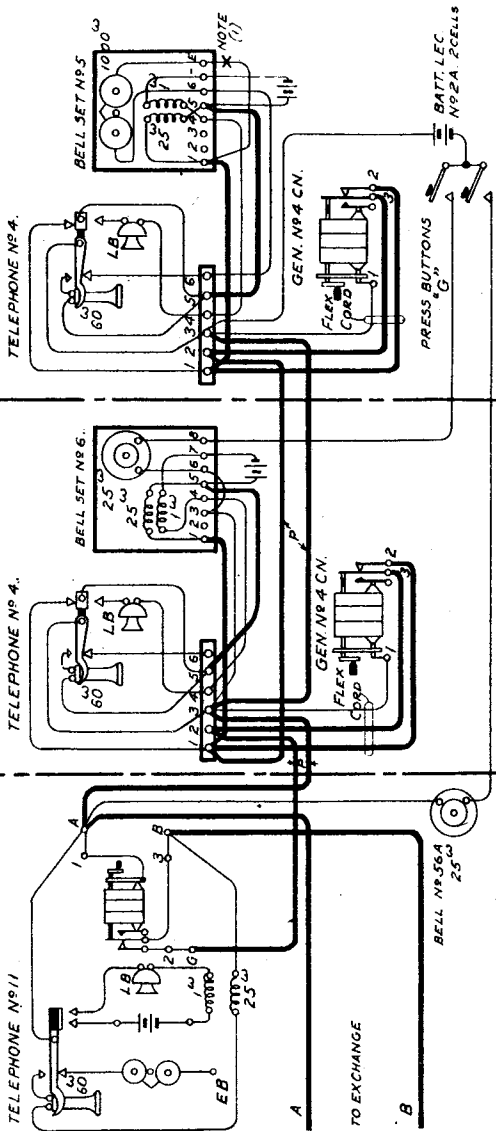
EXTENSION WORKING. PLAN No. 1 (INTERNAL ONLY). TL 771

MAIN—TABLE SET.
EXTENSION No. 1—TABLE SET.
EXTENSION No. 2—WALL SET.

EXTENSION No 2.

EXTENSION No 1.

MAIN.



NOTE (1)—IN AREAS WHERE THE MAGNETO SUBSCRIBER CONTROLS THE SUPERVISORY SIGNAL AT A DISTANT CB EXCHANGE, INSERT 2 MF CONDENSER AT POINT X.

MAGNETO SYSTEM.

N.1382. 11-11-20

EXTENSION WORKING. PLAN NO. 1 (INTERNAL ONLY). TL 772

MAIN—TABLE SET
EXTENSION NO. 1—WALL SET.
EXTENSION NO. 2—WALL SET

EXTENSION No 2.

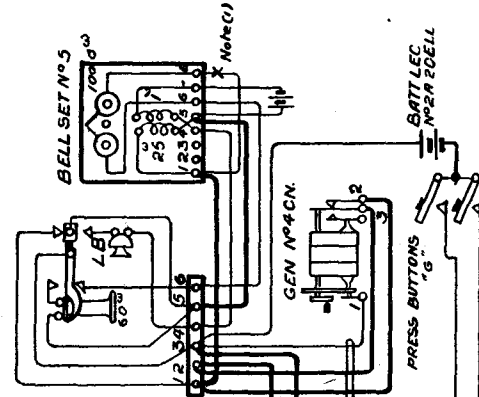
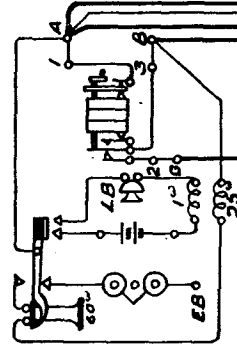
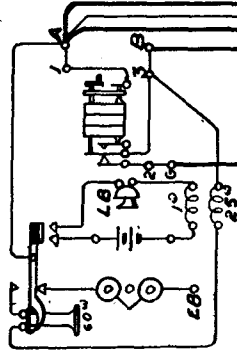
EXTENSION No 1.

MAIN.

TELEPHONE No 11.

TELEPHONE No 11

TELEPHONE No 4.



TO EXCHANGE.

B

BELL No 50R 25

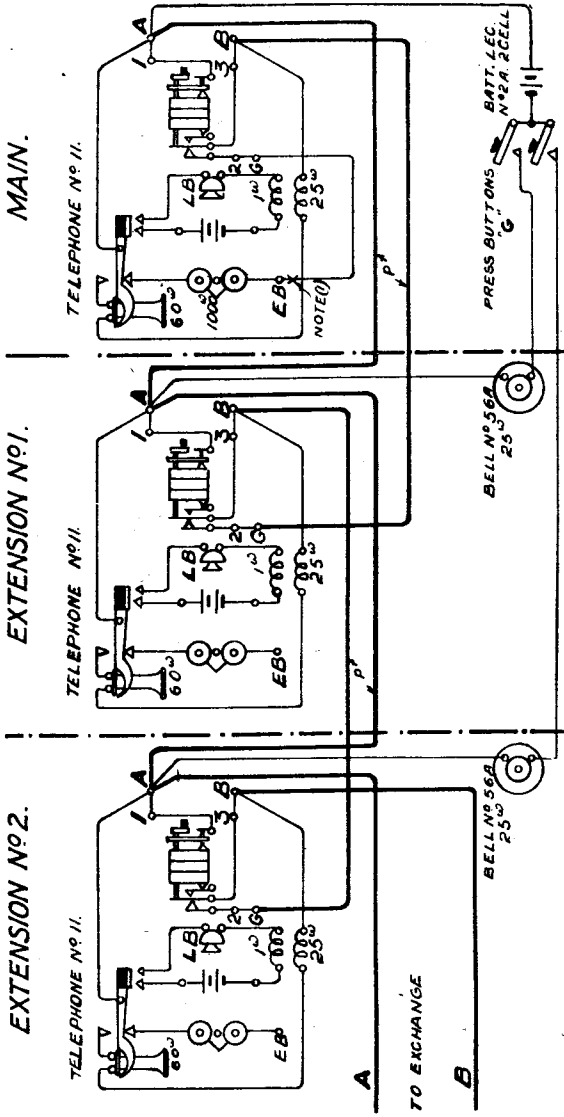
BELL No 50R 25

BATT LEC
No 2A 20CELL

NOTE (1)—IN AREAS WHERE THE MAGNETO SUBSCRIBER CONTROLS THE SUPERVISORY SIGNAL AT A DISTANT CB EXCHANGE, INSERT 2 MF CONDENSER AT POINT X.

MAGNETO SYSTEM. N.1383. 12-11-20
EXTENSION WORKING. PLAN No. 1 (INTERNAL ONLY). TL 773

MAIN—WALL SET.
 EXTENSION No. 1—WALL SET.
 EXTENSION No. 2—WALL SET.



NOTE (1)—IN AREAS WHERE THE MAGNETO SUBSCRIBER CONTROLS THE SUPERVISORY SIGNAL AT A DISTANT CB EXCHANGE, INSERT 2 MF CONDENSER AT POINT X.

MAGNETO SYSTEM. EXTENSION WORKING. PLAN No. 1 (INTERNAL ONLY).

N.1384.

14-11-00

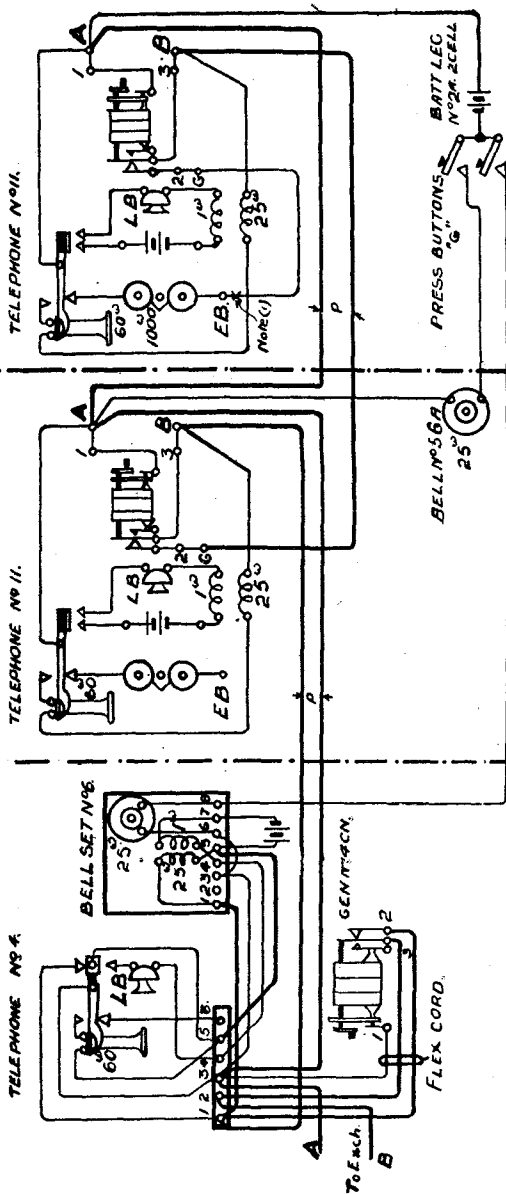
TL 774

MAIN—WALL SET.
EXTENSION No. 1—WALL SET.
EXTENSION No. 2—TABLE SET

EXTENSION No 2.

EXTENSION No 1.

MAIN.



NOTE (1)—IN AREAS WHERE THE MAGNETO SUBSCRIBER CONTROLS THE SUPERVISORY SIGNAL AT A DISTANT CB EXCHANGE, INSERT 2 MF CONDENSER AT POINT X.

**MAGNETO SYSTEM.
EXTENSION WORKING. PLAN No. 1 (INTERNAL ONLY).**

15-11-20

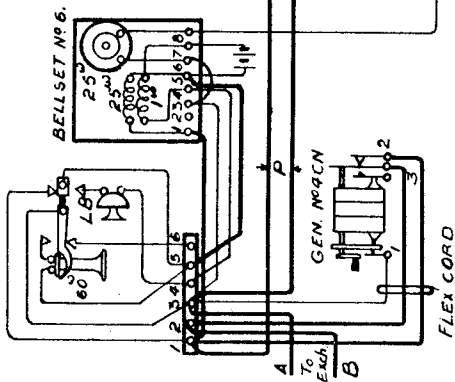
N.1385.

TL 775

MAIN—WALL SET.
EXTENSION No. 1—TABLE SET.
EXTENSION No. 2—TABLE SET.

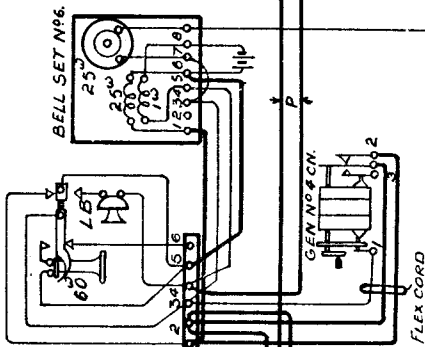
EXTENSION No 2.

TELEPHONE No 4.



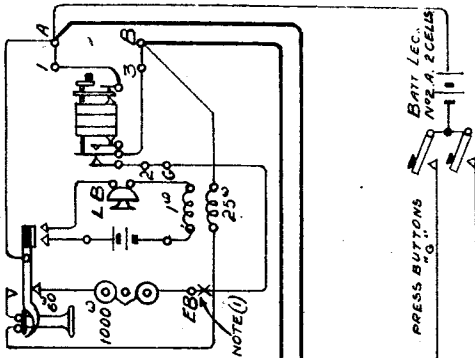
EXTENSION No 1.

TELEPHONE No 4.



MAIN.

TELEPHONE No 11



NOTE (1)—IN AREAS WHERE THE MAGNETO SUBSCRIBER CONTROLS THE SUPERVISORY SIGNAL AT A DISTANT CB EXCHANGE, INSERT 2 MF CONDENSER AT POINT X.

**MAGNETO SYSTEM.
EXTENSION WORKING. PLAN NO. 1A (INTERNAL ONLY).**

N.1386.

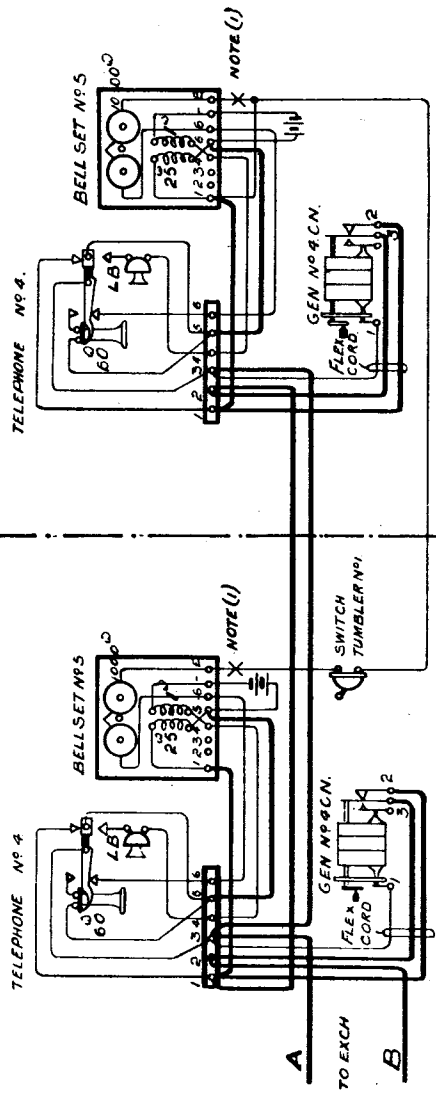
17-11-20

TL 776

MAIN—TABLE SET.
EXTENSION—TABLE SET.

EXTENSION.

MAIN.



NOTE (1)—IN AREAS WHERE THE MAGNETO SUBSCRIBER CONTROLS THE SUPERVISORY SIGNAL AT A DISTANT CB EXCHANGE, INSERT 2 MF CONDENSER AT POINTS X.

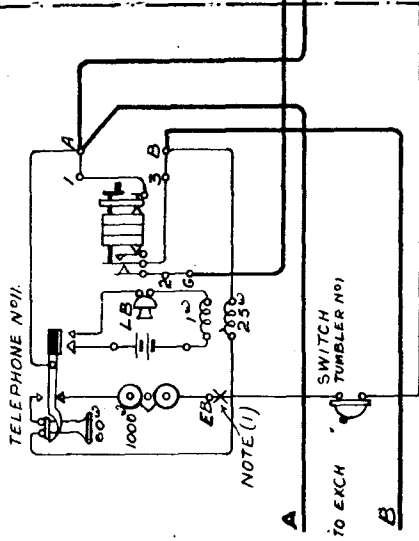
MAGNETO SYSTEM.

N.1387. 18-11-20

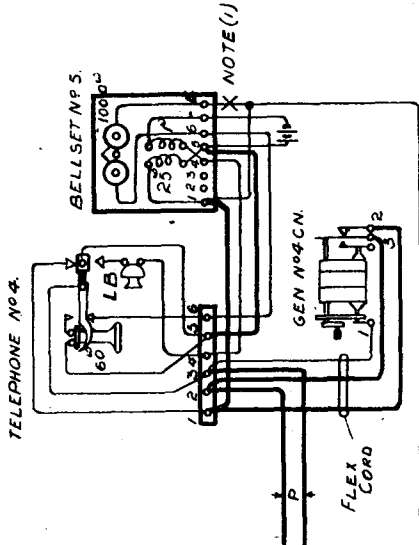
EXTENSION WORKING. PLAN NO. 1A (INTERNAL ONLY). TL 777

MAIN—TABLE SET
EXTENSION—WALL SET.

EXTENSION.



MAIN.



NOTE (1)—IN AREAS WHERE THE MAGNETO SUBSCRIBER CONTROLS THE SUPERVISORY SIGNAL AT A DISTANT CB EXCHANGE, INSERT 2 MF CONDENSER AT POINTS X.

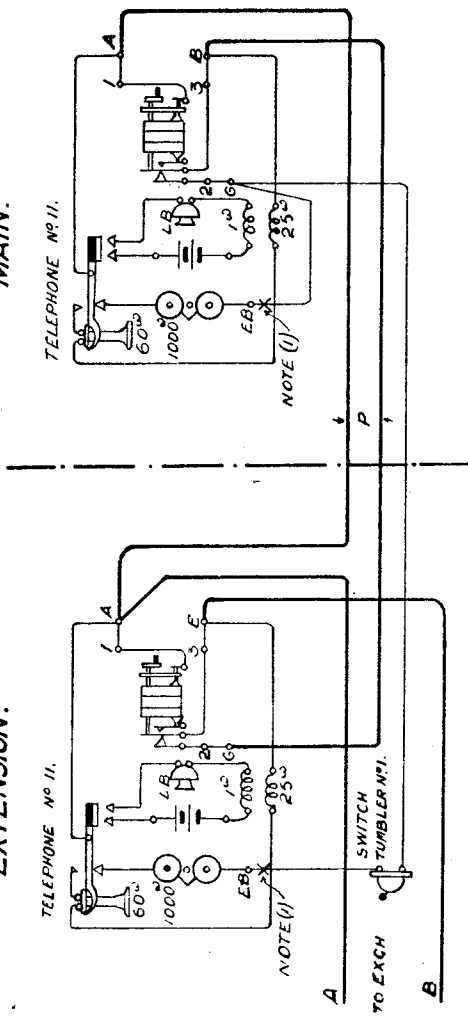
**MAGNETO SYSTEM.
EXTENSION WORKING. PLAN NO. 1A (INTERNAL ONLY).**

N.1388.
19-11-20
TL 778

MAIN—WALL SET.
EXTENSION—WALL SET

EXTENSION.

MAIN.



NOTE (1)—IN AREAS WHERE THE MAGNETO SUBSCRIBER CONTROLS THE SUPERVISORY SIGNAL AT A DISTANT CB EXCHANGE, INSERT 2 MF CONDENSER AT POINTS X.

MAGNETO SYSTEM.

N.1389.

19-11-20

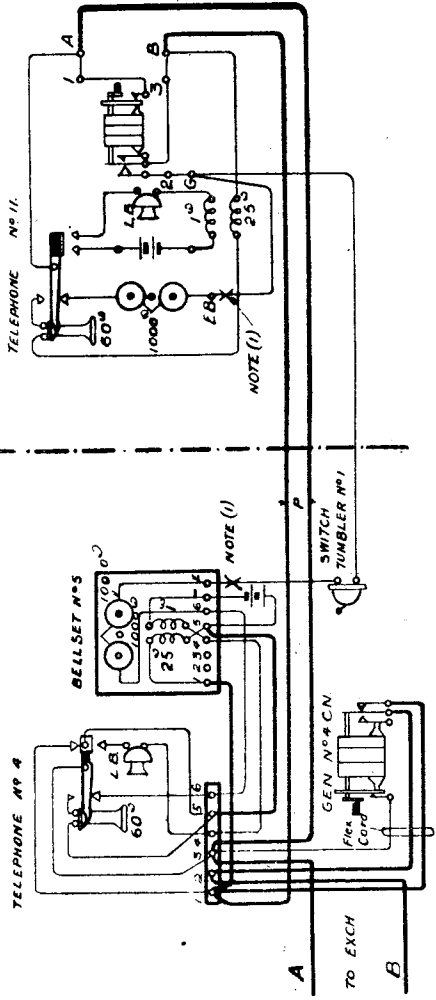
EXTENSION WORKING. PLAN No. 1A (INTERNAL ONLY)

TL 779

MAIN—WALL SET.
EXTENSION—TABLE SET.

EXTENSION.

MAIN.



NOTE (1)—IN AREAS WHERE THE MAGNETO SUBSCRIBER CONTROLS THE SUPERVISORY SIGNAL AT A DISTANT CB EXCHANGE, INSERT 2 MF CONDENSER AT POINTS X.

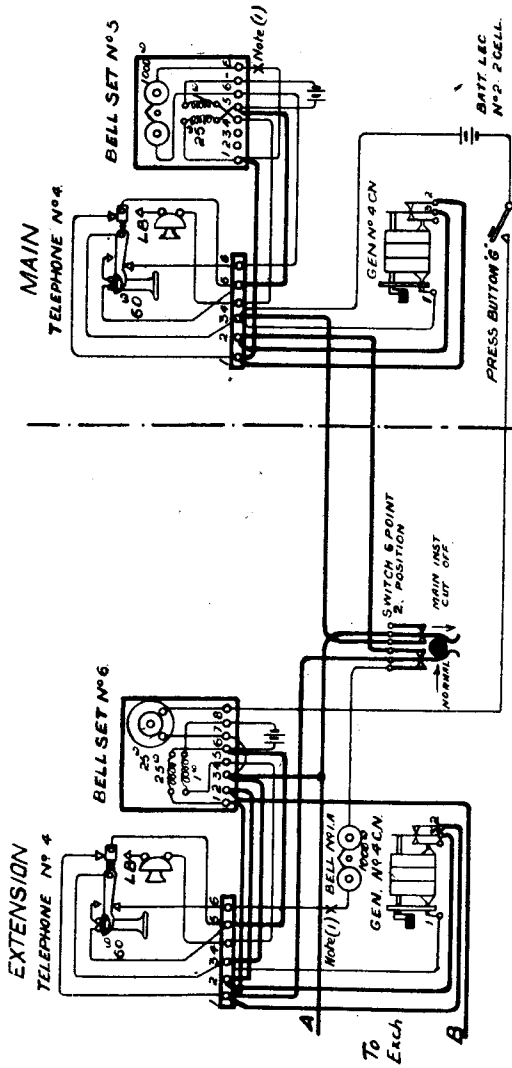
MAGNETO SYSTEM.

N. 1390.

EXTENSION WORKING. PLAN No. 3 (INTERNAL ONLY).

TL 780

MAIN—TABLE SET.
EXTENSION—TABLE SET.



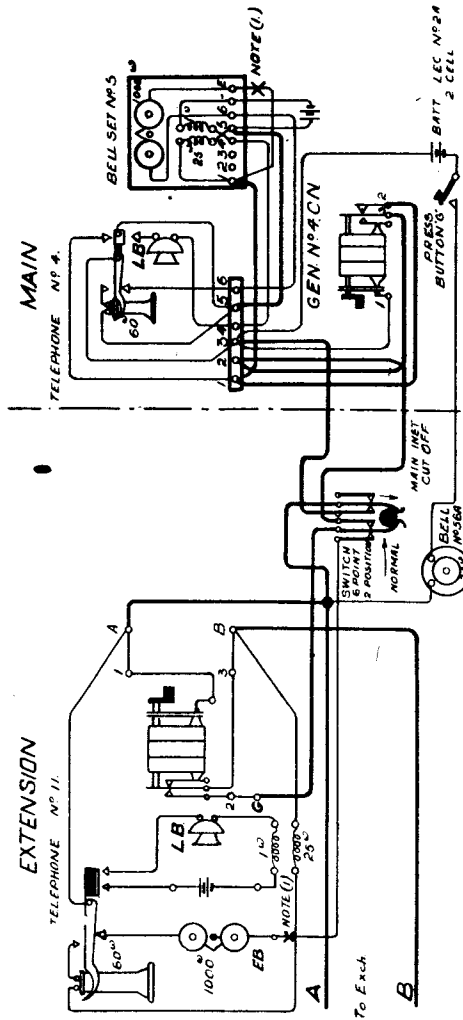
NOTE (1)—IN AREAS WHERE THE MAGNETO SUBSCRIBER CONTROLS THE SUPERVISORY SIGNAL AT A DISTANT CB EXCHANGE, INSERT 2 MF CONDENSER AT POINTS X.

MAGNETO SYSTEM.

N.1391. 30-11-20

EXTENSION WORKING. PLAN No. 3 (INTERNAL ONLY). TL 781

MAIN—TABLE SET.
EXTENSION—WALL SET.



NOTE (1)—IN AREAS WHERE THE MAGNETO SUBSCRIBER CONTROLS THE SUPERVISORY SIGNAL AT A DISTANT CB EXCHANGE, INSERT 2 MF CONDENSER AT POINTS X

MAGNETO SYSTEM.

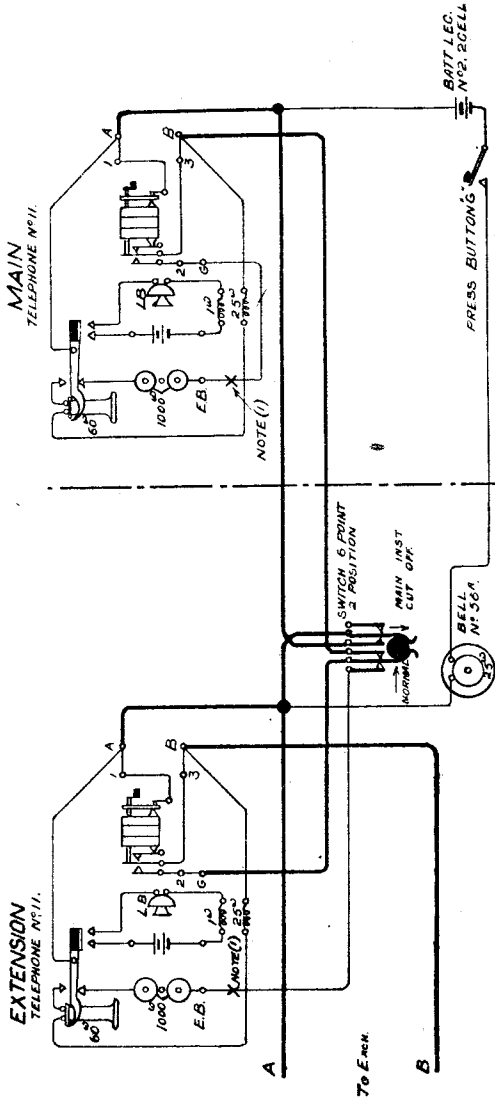
N.1392.

12-2

EXTENSION WORKING. PLAN No. 3 (INTERNAL ONLY).

TL 782

MAIN—WALL SET.
EXTENSION—WALL SET.



NOTE (1)—IN AREAS WHERE THE MAGNETO SUBSCRIBER CONTROLS THE SUPERVISORY SIGNAL AT A DISTANT CB EXCHANGE, INSERT 2 MF CONDENSER AT POINTS X.

MAGNETO SYSTEM.

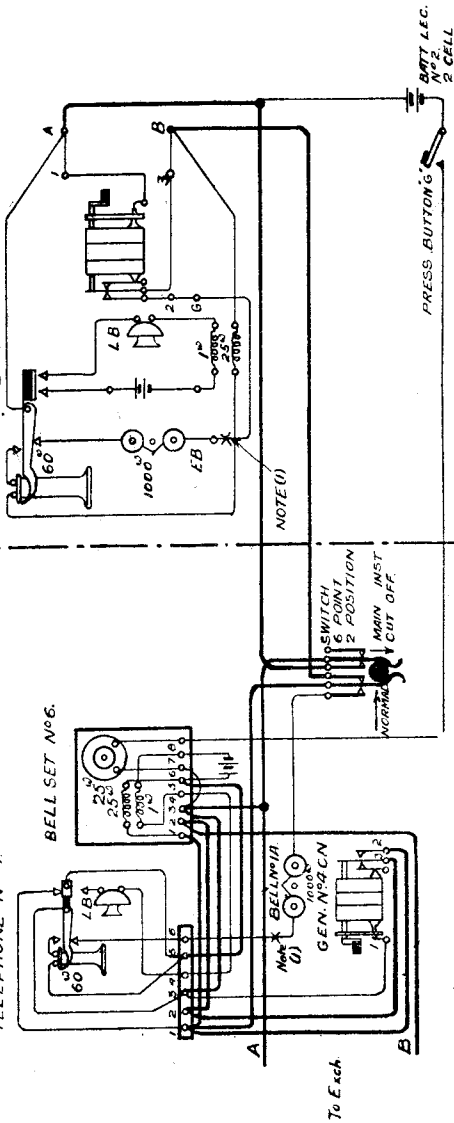
N.1393.

EXTENSION WORKING. PLAN No. 3 (INTERNAL ONLY). TL 783

MAIN—WALL SET.
EXTENSION—TABLE SET.

EXTENSION
TELEPHONE No 4.

MAIN
TELEPHONE No 11



NOTE (1)—IN AREAS WHERE THE MAGNETO SUBSCRIBER CONTROLS THE SUPERVISORY SIGNAL AT A DISTANT CB EXCHANGE, INSERT 2 MF CONDENSER AT POINTS X.

MAGNETO SYSTEM.

N. 1395^A

3-1-21

EXTENSION WORKING. PLANS Nos. 5 & 5^A (INTERNAL ONLY).

TL 785A

MAIN—TABLE SET.

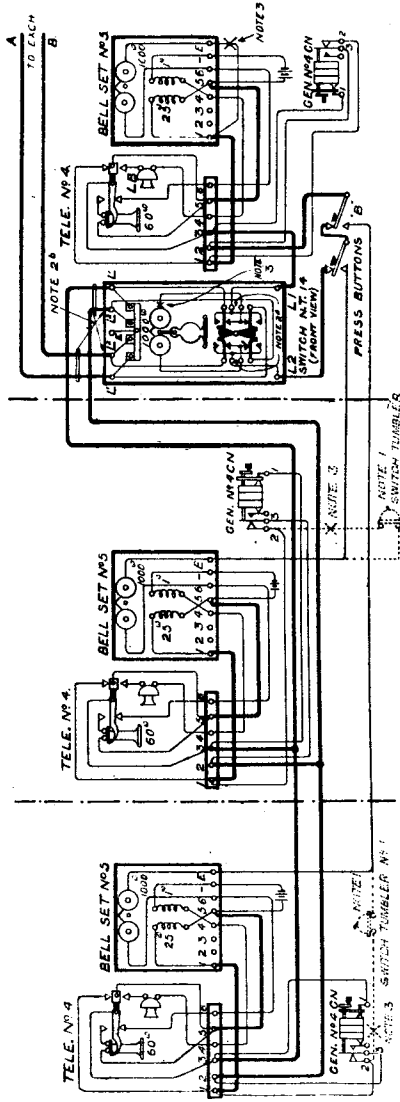
EXTENSION No. 1—TABLE SET.

EXTENSION No. 2—TABLE SET

EXTENSION No. 2

EXTENSION No. 1

MAIN



NOTE 1.—Either of the extensions may be allowed night service, but not both. The dotted wiring and "Switch Tumbler No. 1" to be fitted only at point where night service is required.

NOTE 2.—In Plan 5a the normal connections of the switch should be used as shown. In Plan 5 the extensions are "non secret" against the main, and the following alterations should be made on the switch N.T. 14:—

- (a) The connections of the 1000 ω bell and the main inst. to be reversed on the springs inside the switch.
 - (b) The two pairs of wires serving the exch. line and the extns. to be reversed on the external terminals at the top of the switch.
- NOTE 3.—In areas where the magneto subscriber controls the supervisory signal at a distant C.B. Exchange, insert 2 MF condensers at points X. If a night service is provided a 2 MF condenser should also be fitted on the bell at the extension concerned.

MAGNETO SYSTEM.

N. 1396^A

4-1-21

EXTENSION WORKING. PLANS Nos. 5 & 5^A (INTERNAL ONLY). TL 786A

TL 786A

MAIN—TABLE SET.

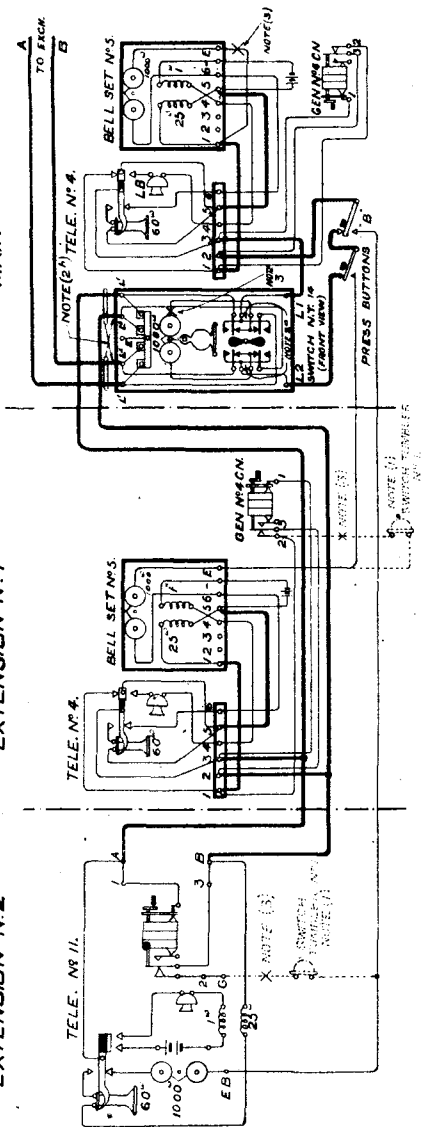
EXTENSION No. 1—TABLE SET.

EXTENSION No. 2—WALL SET

EXTENSION No. 2

EXTENSION No. 1

MAIN



NOTE 1.—Either of the extensions may be allowed night service, but not both. The dotted wiring and "Switch Tumbler No. 1" to be fitted only at point where night service is required.

NOTE 2.—In Plan 5a the normal connections of the switch should be used as shown. In Plan 5 the extensions are "non secret" against the main and the following alterations should be made on the switch N.T. 14:—

- (a) The connections of the 1000 μ bell and the main inst. to be reversed on the springs inside the switch.
- (b) The two pairs of wires serving the exchange line and the extensions to be reversed on the external terminals at the top of the switch.

NOTE 3.—In areas where the magneto subscriber controls the supervisory signal at a distant C.B. Exchange, insert 2 MF condensers at points X. If a night service is provided a 2 MF condenser should also be fitted on the bell at the extension concerned.

MAGNETO SYSTEM.

N. 1397A 10 1-21

EXTENSION WORKING. PLANS Nos. 5 & 5A (INTERNAL ONLY). TL 787A

MAIN—TABLE SET.

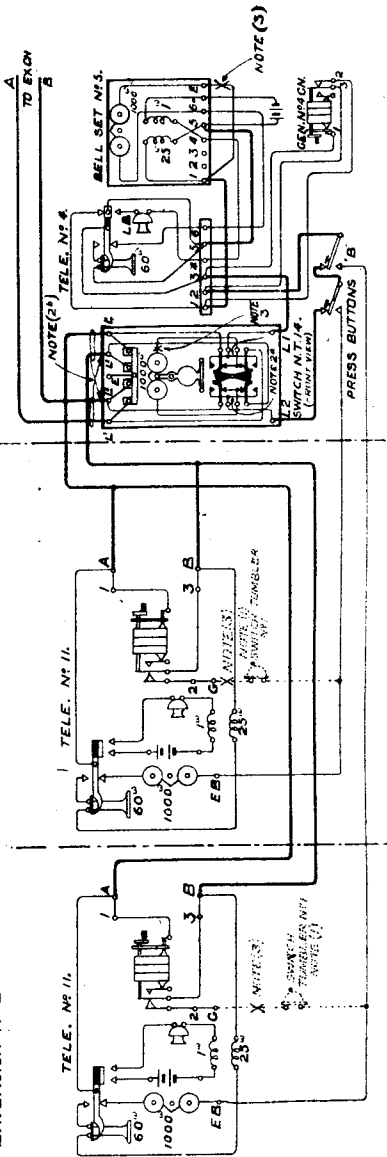
EXTENSION No. 1—WALL SET.

EXTENSION No. 2—WALL SET.

EXTENSION No 2

EXTENSION No 1.

MAIN.



NOTE 1.—Either of the extensions may be allowed night service, but not both. The dotted wiring and "Switch Tumbler No. 1" to be fitted only at point where night service is required.

NOTE 2.—In Plan 5a the normal connections of the switch should be used as shown. In Plan 5 the extensions are "non secret" against the main and the following alterations should be made on the switch N.T. 14 :—

- (a) The connections of the 1000Ω bell and the main inst. to be reversed on the springs inside the switch.
- (b) The two pairs of wires serving the exchange line and the extensions to be reversed on the external terminals at the top of the switch.

NOTE 3.—In areas where the magneto subscriber controls the supervisory signal at a distant C.B. Exchange, insert 2 MF condensers at points X. If a night service is provided a 2 MF condenser should also be fitted on the bell at the extension concerned.

MAGNETO SYSTEM.

N. 1398^A

17-1-21

EXTENSION WORKING. PLANS Nos. 5 & 5^A (INTERNAL ONLY). TL 788A

MAIN—WALL SET.

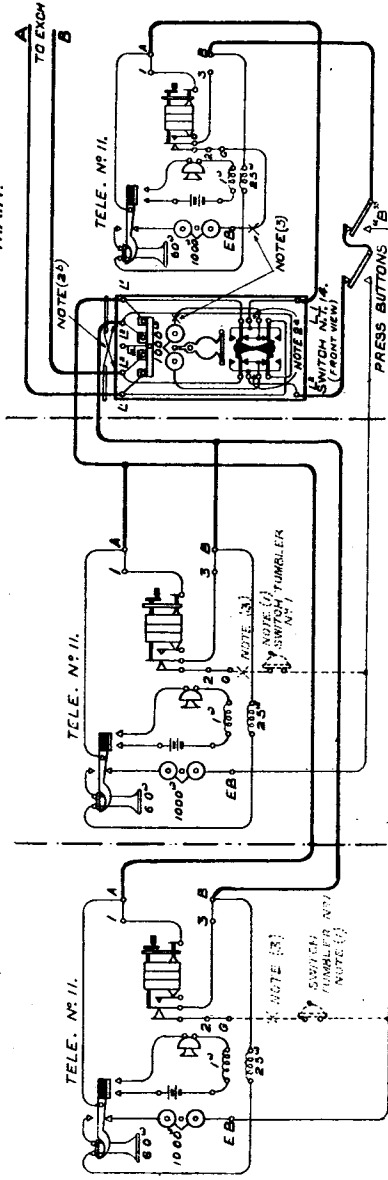
EXTENSION No. 1—WALL SET.

EXTENSION No. 2—WALL SET.

EXTENSION No 2.

EXTENSION No 1.

MAIN.



NOTE 1.—Either of the extensions may be allowed night service, but not both. The dotted wiring and "Switch Tumbler No. 1" to be fitted only at point where night service is required.

NOTE 2.—In Plan 5a the normal connections of the switch should be used as shown. In Plan 5 the extensions are "non secret" against the main and the following alterations should be made on the switch N.Y. 14:—

- (a) The connections of the 1000 ω bell and the main inst. to be reversed on the springs inside the switch.
- (b) The two pairs of wires serving the exchange line and the extensions to be reversed on the external terminals at the top of the switch.

NOTE 3.—In areas where the magneto subscriber controls the supervisory signal at a distant C.B. Exchange, insert 2 MF condensers at points X. If a night service is provided a 2 MF condenser should also be fitted on the bell at the extension concerned.

MAGNETO SYSTEM.

N. 1399^A

21-1-21

EXTENSION WORKING. PLANS Nos. 5 & 5^A (INTERNAL ONLY). TL 789A

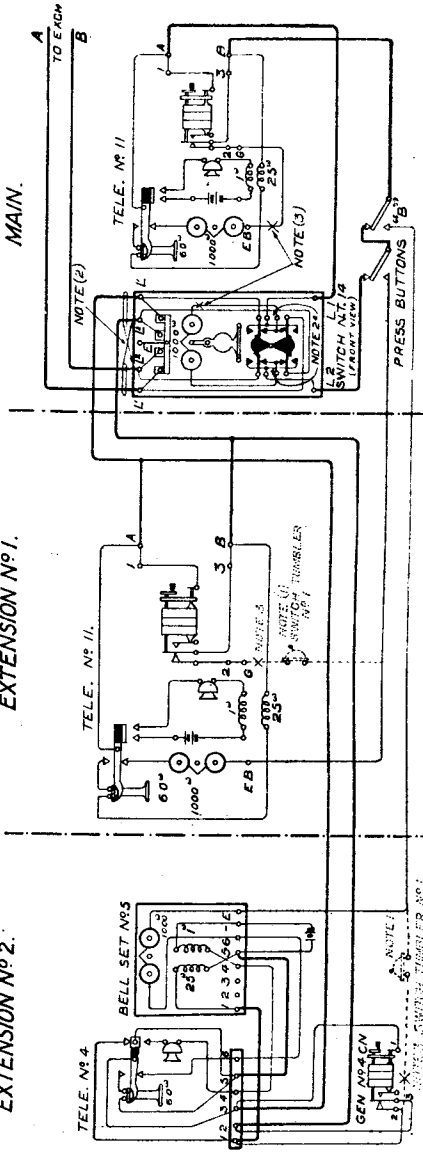
MAIN—WALL SET. EXTENSION No. 2—TABLE SET.

EXTENSION No. 1—WALL SET.

EXTENSION No. 2.

EXTENSION No. 1.

MAIN.



NOTE 1.—Either of the extensions may be allowed night service, but not both. The dotted wiring and "Switch Tumbler No. 1" to be fitted only at point where night service is required.

NOTE 2.—In Plan 5a the normal connections of the switch should be used as shown. In Plan 5 the extensions are "non secret" against the main and the following alterations should be made on the switch N.T. 14:—

- (a) The connections of the 1000 μ bell and the main inst. to be reversed on the springs inside the switch.
- (b) The two pairs of wires serving the exchange line and the extensions to be reversed on the external terminals at the top of the switch.

NOTE 3.—In areas where the magneto subscriber controls the supervisory signal at a distant C.B. Exchange, insert 2 MF condensers at points X. If a night service is provided a 2 MF condenser should also be fitted on the bell at the extension concerned.

MAGNETO SYSTEM.

N. 1400^A .25-1-21

EXTENSION WORKING. PLANS Nos. 5 & 5^A (INTERNAL ONLY).

TL 790A

MAIN—WALL SET.

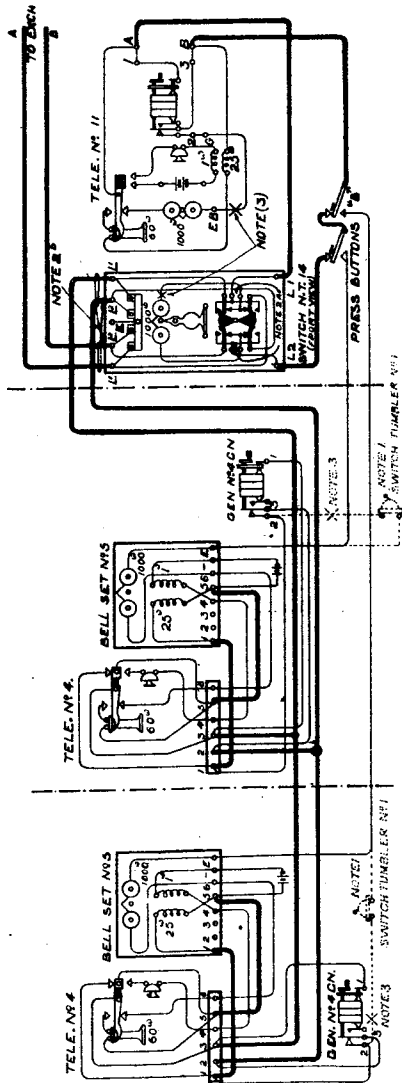
EXTENSION No. 1—TABLE SET.

EXTENSION No. 2—TABLE SET.

EXTENSION No. 2.

EXTENSION No. 1.

MA/N.



NOTE 1.—Either of the extensions may be allowed night service, but not both. The dotted wiring and "Switch Tumbler No. 1" to be fitted only at point where night service is required.

NOTE 2.—In Plan 5a the normal connections of the switch should be used as shown. In Plan 5 the extensions are "non secret" against the main and the following alterations should be made on the switch N. T. 14 :—

(a) The connections of the 1000 Ω bell and the main inst. to be reversed on the springs inside the extension at the top of the switch.

(b) The two pairs of wires serving the exchange line and the extensions to be reversed on the external terminals at the top of the switch.

NOTE 3.—In areas where the magneto subscriber controls the supervisory signal at a distant C.B. Exchange, insert a 2 MF condenser at points X. If a night service is provided a 2 MF condenser should also be fitted on the bell at the extension concerned.

MAGNETO SYSTEM.

N.1401

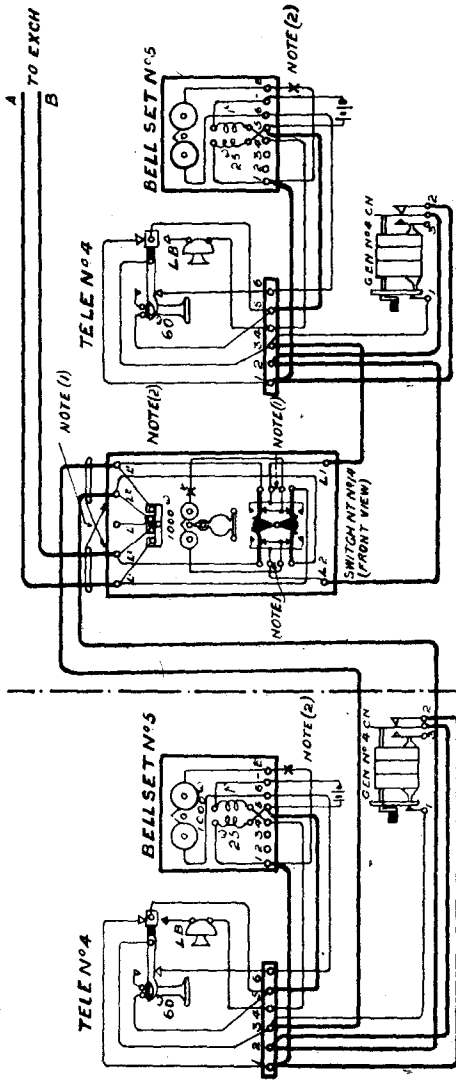
TL 791

EXTENSION WORKING. PLAN NOS. 7 & 7A (INTERNAL OR EXTERNAL).

MAIN—TABLE SET WITH SWITCH N.T. No. 14.
EXTENSION—TABLE SET.

EXTENSION.

MAIN.



NOTE 1.—The switch N.T. No. 14 as shown represents the normal wiring connections, and these provide for secrecy against the main, i.e., Plan No. 7a. If the extension is to be "non secret" against the main, i.e., Plan No. 7, the following alterations should be made on switch N.T. No. 14:—

- (a) The connections of the 1000 Ω bell and the main inst. to be reversed on the springs inside the switch.
 - (b) The two pairs of wires serving the exchange line and the extension to be reversed on the external terminals at the top of the switch
- NOTE 2.—In areas where the magneto subscriber controls the supervisory signal at a distant C.B. Exchange, insert a 2 MF condenser at points X.

MAGNETO SYSTEM.

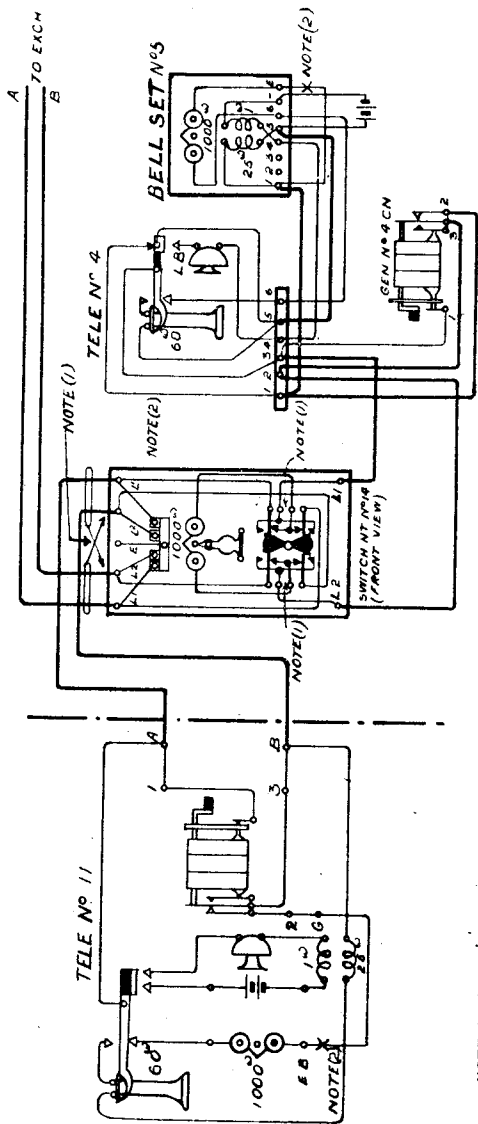
N.1402
TL 792

EXTENSION WORKING. PLAN Nos. 7 & 7^A (INTERNAL OR EXTERNAL).

MAIN—TABLE SET WITH SWITCH N.T. No. 14.
EXTENSION—WALL SET.

EXTENSION

MAIN.



NOTE 1.—The switch N.T. No. 14 as shown represents the normal wiring connections, and these provide for secrecy against the main, i.e., Plan No. 7a. If the extension is to be "non secret" against the main, i.e., Plan No. 7, the following alterations should be made on switch N.T. No. 14:—

(a) The connections of the 1000Ω bell and the main inst. to be reversed on the springs inside the switch.

(b) The two pairs of wires serving the exchange line and the extension to be reversed on the external terminals at the top of the switch.

NOTE 2.—In areas where the magneto subscriber controls the supervisory signal at a distant C.B. Exchange, insert a 2 MF condenser at points X.

MAGNETO SYSTEM.

N.1403

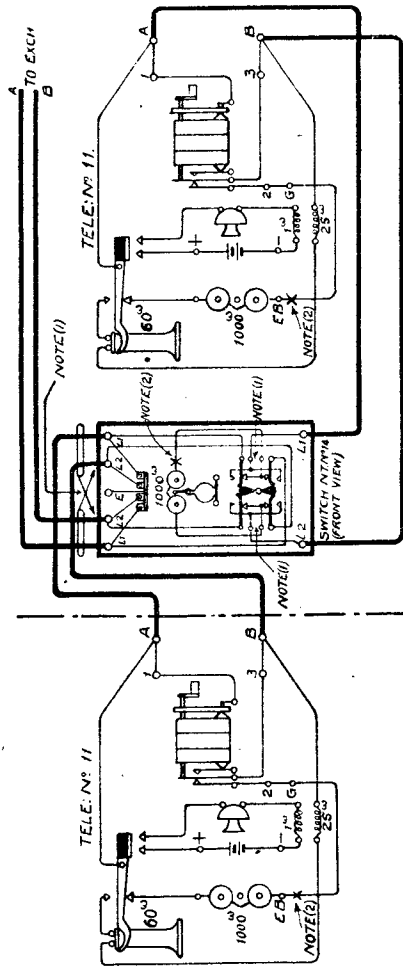
TL 793

EXTENSION WORKING. PLAN NOS. 7 & 7A (INTERNAL OR EXTERNAL).

MAIN—WALL SET WITH SWITCH N.T. No. 14.
EXTENSION—WALL SET.

EXTENSION.

MAIN.



NOTE 1.—The switch N.T. No. 14 as shown represents the normal wiring connections, and these provide for secrecy against the main, i.e., Plan No. 7a. If the extension is to be "non-secret" against the main, i.e., Plan No. 7, the following alterations should be made on switch N.T. No. 14:—

- (a) The connections of the 1000Ω bell and the main inst. to be reversed on the springs inside the switch.
- (b) The two pairs of wires serving the exchange line and the extension to be reversed on the external terminals at the top of the switch.

NOTE 2.—In areas where the magneto subscriber controls the supervisory signal at a distant C.B. Exchange, insert a 2 MF condenser at points X.

MAGNETO SYSTEM.

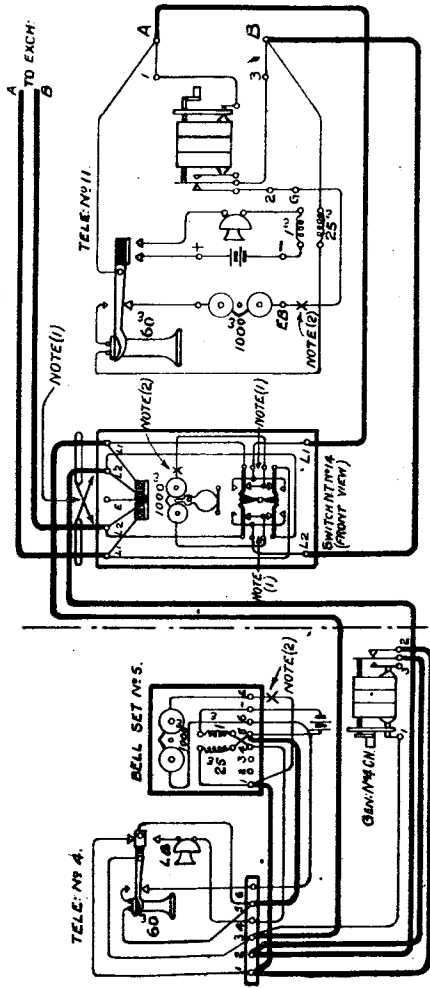
N. 1404
TL 784

EXTENSION WORKING. PLAN NOS. 7 & 7^A (INTERNAL OR EXTERNAL).

MAIN—WALL SET WITH SWITCH N.T. No. 14.
EXTENSION—TABLE SET.

EXTENSION.

MAIN.



NOTE 1.—The switch N.T. No. 14 as shown represents the normal wiring connections and these provide for secrecy against the main, i.e., Plan No. 7a. If the extension is to be "non secret" against the main, i.e., Plan No. 7, the following alterations should be made on switch N.T. No. 14:—

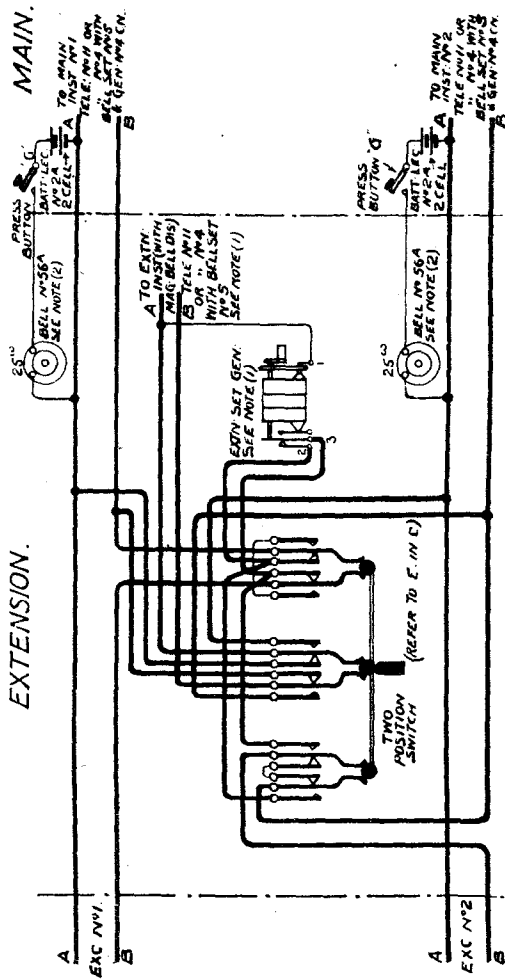
- (a) The connections of the 1000Ω bell and the main inst. to be reversed on the springs inside the switch.
- (b) The two pairs of wires serving the exchange line and the extension to be reversed on the external terminals at the top of the switch.

NOTE 2.—In areas where the magneto subscriber controls the supervisory signal at a distant C.B. Exchange, insert a 2 MF condenser at points X.

MAGNETO SYSTEM.

N.1405
TL 786

EXTENSION WORKING. PLAN No. 8 (INTERNAL ONLY).



SWITCH NORMAL—Exc. No. 1 on to Main No. 1 with extn. in parallel. Exch. No. 2 on to Main No. 2.

SWITCH OPERATED—Exc. No. 2 on to Main No. 2 with extn. in parallel. Exch. No. 1 on to Main No. 1.

NOTE 1.—The generator shown is associated with the extn. Inst. if a tele. No. 1 is fitted, use existing generator. If a tele. No. 4 is fitted, a separate generator (No. 4CN) is required.

NOTE 2.—The bells No. 56a should have different toned gongs.

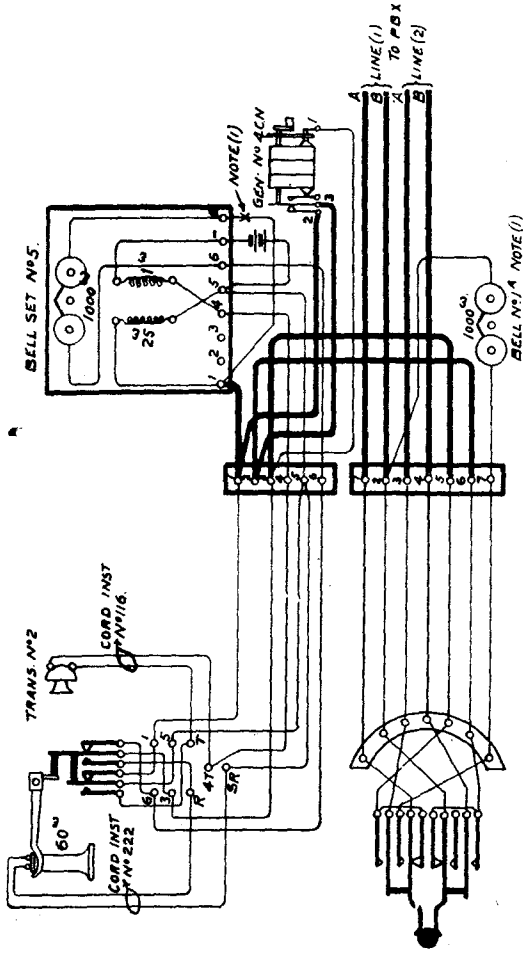
NOTE 3.—In areas where the magneto subscriber controls the supervisory signal at a distant C.B. Exchange, a 2 MF condenser should be inserted in series with the 1000 ω bell on both the main instruments.

MAGNETO SYSTEM.

N.1406 18-12-20

TL 796

EXTENSION WORKING. PLAN No. 9 (INTERNAL or EXTERNAL)



KEY NORMAL—Line (1) on telephone, line (2) disconnected.

KEY THROWN—Line (1) on addtl. bell, line (2) on telephone.

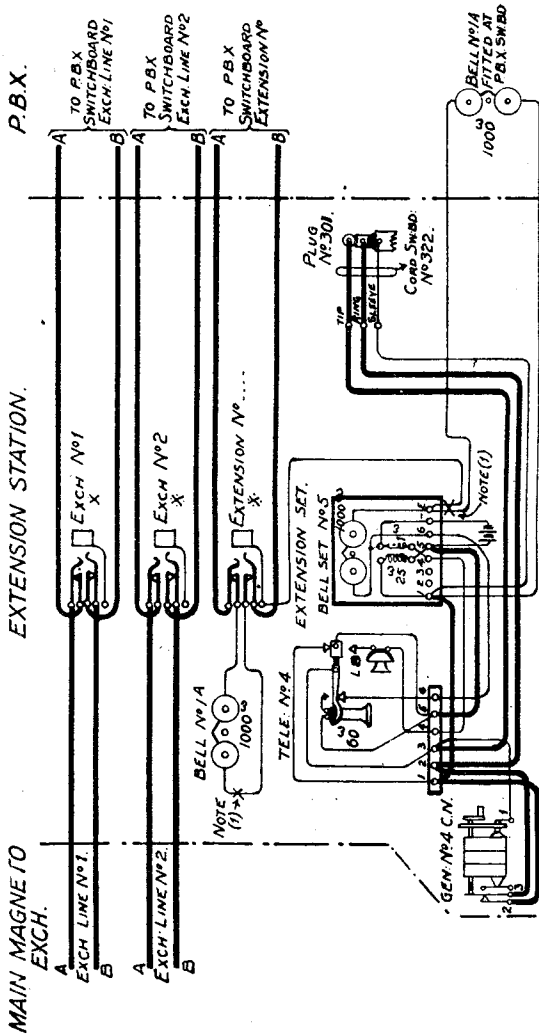
NOTE 1.—In areas where the magneto P.B.X. extension controls the supervisory signal at a distant C.B. Exchange, insert 2 MF condenser at point X and make bell No. 1A. 250 ω resistance.

MAGNETO SYSTEM.

N.1407

TL 797

EXTENSION WORKING. PLAN No. 10.



The extension instrument plug must be kept normally in the extension line jack, and all calls must be originated via the P.B.X. the interception jacks only being used after a call has been established.

* When two jacks are required use jacks No. 14. When three jacks are required use jacks No. 2.

NOTE (1)—In areas where the magneto P.B.X. extension controls the supervisory signal at a distant C.B. Exchanges, insert 2 MF condensers at point X and between terminal "E" and wires connected thereto.

MAGNETO SYSTEM:

N.1408

1-12-20

EXTENSION WORKING. PLAN No. 11 (INTERNAL ONLY).

TL 798

MAIN—TABLE SET.

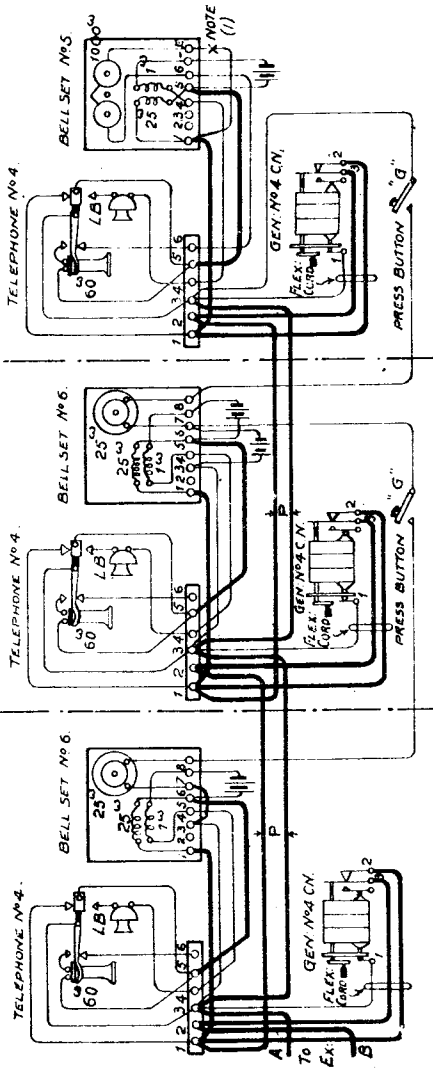
EXTENSION No. 1—TABLE SET.

EXTENSION No. 2—TABLE SET.

EXTENSION No 2.

EXTENSION No 1.

MAIN.



MAGNETO SYSTEM.

N.1409

30-11-20

EXTENSION WORKING. PLAN No. 11 (INTERNAL ONLY).

TL 799

EXTENSION No. 2—WALL SET.

EXTENSION No. 1—TABLE SET.

MAIN—TABLE SET.

EXTENSION No 2.

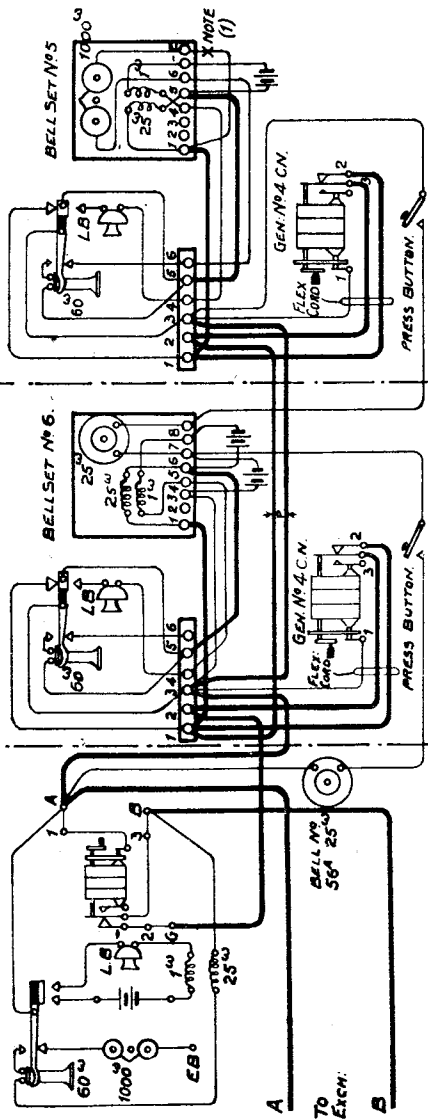
EXTENSION No 1.

MAIN.

TELEPHONE No 11

TELEPHONE No 4.

TELEPHONE No 4.



NOTE 1.—IN AREAS WHERE THE MAGNETO SUBSCRIBER CONTROLS THE SUPERVISORY SIGNAL AT A DISTANT C.B. EXCHANGE, INSERT 2 MF. CONDENSER AT POINT X.

MAGNETO SYSTEM.

N.1410 1-12-20

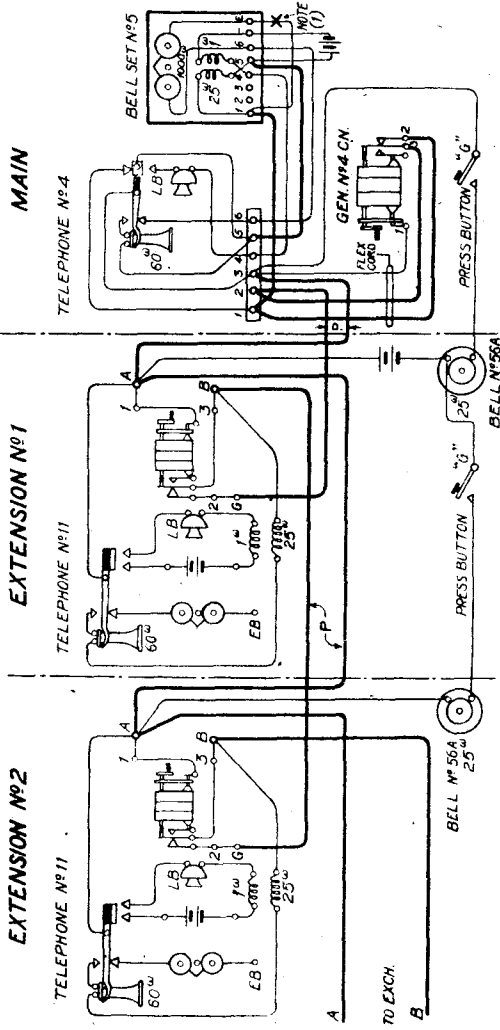
EXTENSION WORKING. PLAN No. 11 (INTERNAL ONLY).

TL 800

MAIN—TABLE SET.

EXTENSION No. 1—WALL SET.

EXTENSION No. 2—WALL SET.



NOTE 1.—IN AREAS WHERE THE MAGNETO SUBSCRIBER CONTROLS THE SUPERVISORY SIGNAL AT A DISTANT C.B. EXCHANGE, INSERT A 2 MF. CONDENSER AT POINT X.

MAGNETO SYSTEM.

N.1411 2-12-20

EXTENSION WORKING. PLAN NO. 11 (INTERNAL ONLY).

TL 801

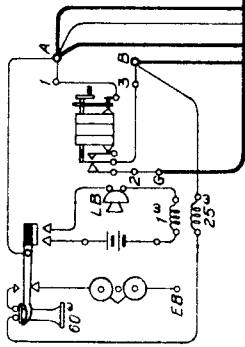
MAIN—WALL SET.

EXTENSION No. 1—WALL SET.

EXTENSION No. 2—WALL SET.

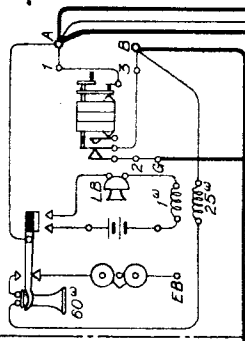
EXTENSION No 2

TELEPHONE No 11



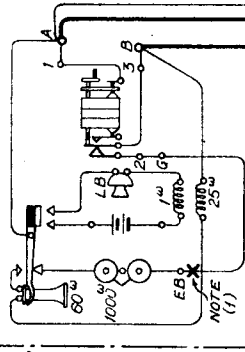
EXTENSION No 1

TELEPHONE No 11



MAIN

TELEPHONE No 11



A

TO EXCH.

B

BELL N°56A
25 w

PRESS BUTTON
"G"

BELL N°56A
25 w

PRESS BUTTON
"G"

NOTE 1.—IN AREAS WHERE THE MAGNETO SUBSCRIBER CONTROLS THE SUPERVISORY SIGNAL AT A DISTANT C.B. EXCHANGE, INSERT 2 MF. CONDENSER AT POINT X.

MAGNETO SYSTEM.

N.1412

3-12-20

EXTENSION WORKING. PLAN NO. 11 (INTERNAL ONLY).

TL 802

MAIN—WALL SET.

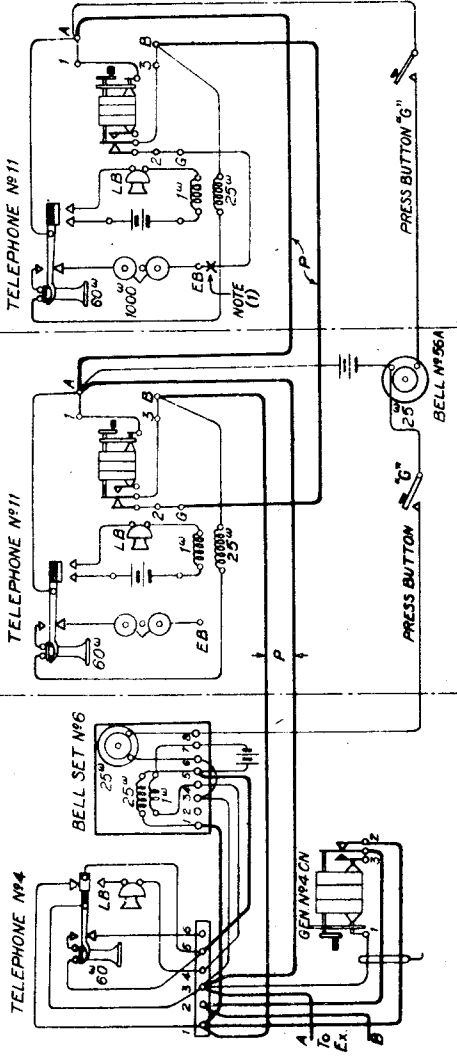
EXTENSION No. 1—WALL SET.

EXTENSION No. 2—TABLE SET.

EXTENSION No. 2.

EXTENSION No. 1.

MAIN



NOTE 1.—IN AREAS WHERE THE MAGNETO SUBSCRIBER CONTROLS THE SUPERVISORY SIGNAL AT A DISTANT C.B. EXCHANGE, INSERT 2 MF. CONDENSER AT POINT X.

MAGNETO SYSTEM.

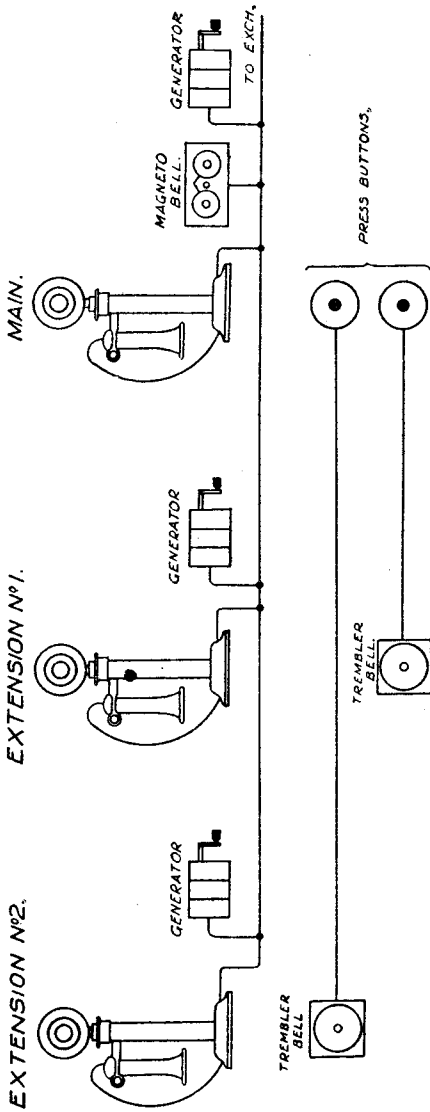
N. 1440

23-11-20

TELE. SER. INSTN. B I REFERS.

EXTENSION WORKING. PLAN No. 1 (INTERNAL ONLY).

FOR WIRING DIAGRAMS SEE N.1380 TO N.1385 INCLUSIVE.



Main set and one or two extensions in parallel.
Incoming calls received at main telephone. Main calls extension by press button. Either station calls exchange by ringing.
No secrecy or intercommunication between stations.

MAGNETO SYSTEM.

N.1441

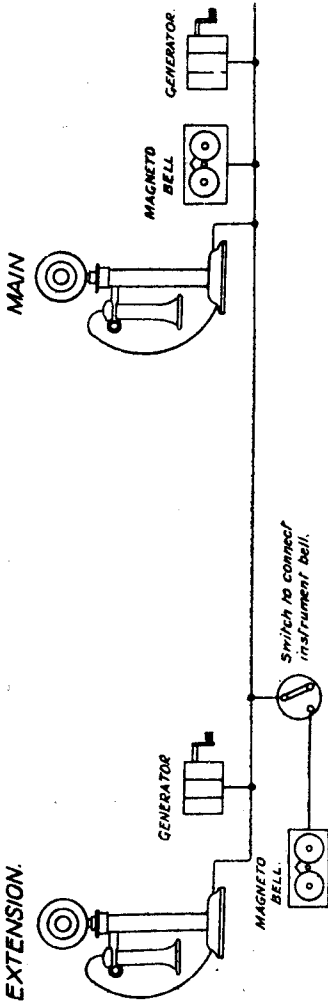
22-11-20

TELE. SER. INSTN. B I REFERS.

EXTENSION WORKING. PLAN NO. 1^A (INTERNAL ONLY).

FOR WIRING DIAGRAMS SEE N.1386 TO N.1389.

EXTENSION.



Main set and one extension in parallel.

Incoming calls received normally at main telephone only but when desired at extension telephone also.

Either station calls exchange by ringing.

No secrecy or intercommunication between stations.

MAGNETO SYSTEM.

N. 1442

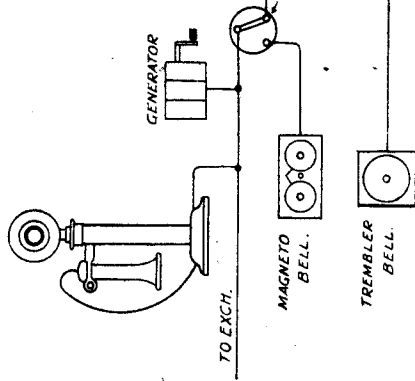
23-11-20

TELE. SER. INSTN. B I REFERS.

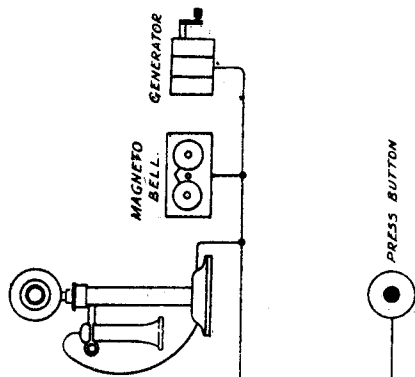
EXTENSION WORKING. PLAN No. 3 (INTERNAL ONLY).

FOR WIRING DIAGRAMS SEE N.1390 TO N.1393.

EXTENSION.



MAIN.



Main set and one extension with secrecy.
Incoming calls received normally at main telephones. Main calls extension by press button. Either extension calls exchange by ringing. No intercommunication between stations.
On an established exchange call the extension can cut out the main station if desired and speak secretly by operating the switch.

MAGNETO SYSTEM.

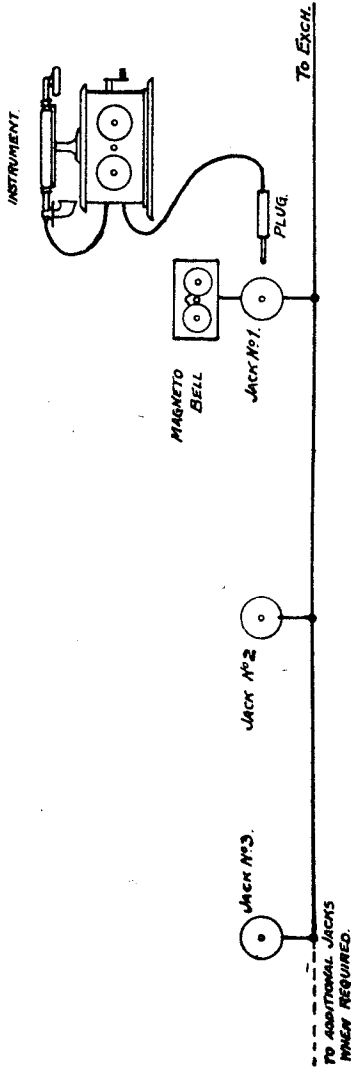
N.1443

24-11-20

TELE. SER. INSTR. B I REFERS.

EXTENSION WORKING. PLAN No. 4 (INTERNAL ONLY).

FOR WIRING DIAGRAM SEE N.1394.



Telephone may be moved from Jack to Jack as required. Calls received normally at Jack No. 1, to which an extension bell is connected. When this telephone is moved to another Jack, calls are received on the bell at No. 1 Jack and also on the telephone bell at whatever Jack it is.

MAGNETO SYSTEM.

N.1444

23-11-20

TELE. SER. INSTN. B I REFERS.

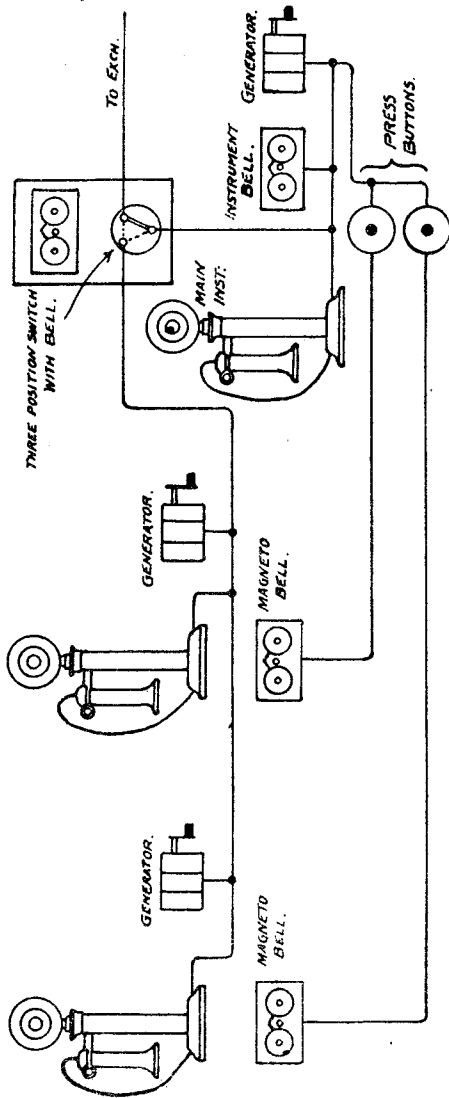
EXTENSION WORKING. PLAN No. 5 (INTERNAL ONLY).

FOR WIRING DIAGRAMS SEE N.1395 TO N.1400.

EXTENSION No 2.

EXTENSION No 1.

MAIN.



Main set and two extensions with limited intercommunication. Suitable where intercommunication is only occasionally required between stations. Incoming calls received normally at main telephone. Main calls extension by generator ring in conjunction with press button. Extensions call main by generator ring. Main station secret against the extensions. Extensions not secret against the main when fitted in conjunction with Plan 7, but secret when fitted in conjunction with Plan 7A. Extensions not secret against each other. Night service may be provided for either extension, but not both. Where this facility is required a switch is fitted to connect the extension instrument bell to the line at night

MAGNETO SYSTEM.

N. 1445

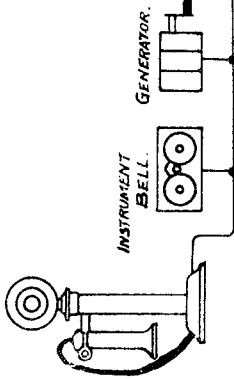
23-11-20

TELE. SER. INSTN. B I REFERS.

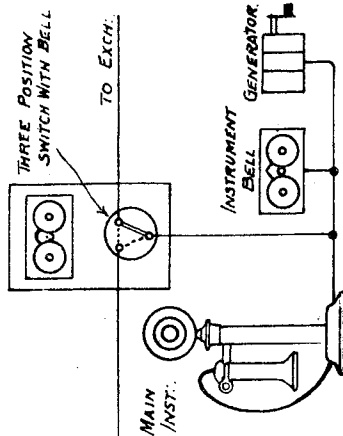
EXTENSION WORKING. PLAN No. 7 & 7^A (INTERNAL OR EXTERNAL).

FOR WIRING DIAGRAMS SEE N.1401 TO N.1404 INCLUSIVE.

EXTENSION.



MAIN.



Main set and one extension with intercommunication. Main station secret against extension. Incoming calls received normally at main telephone, but may if desired be received at the extension. Main calls extension and extension calls the main by generator ring.

MAGNETO SYSTEM.

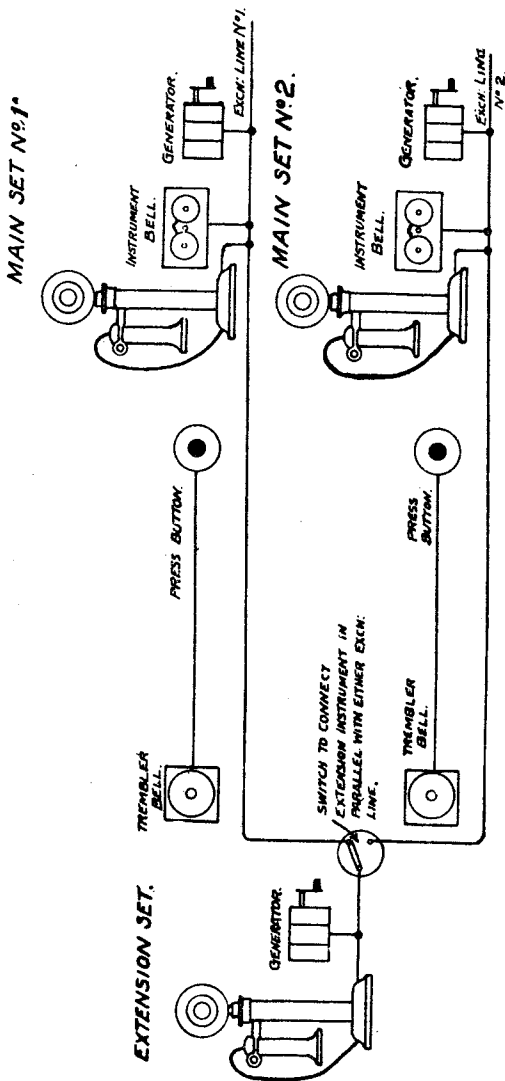
N.1446

24-11-20

TELE. SER. INSTN. B1 REFERS.

EXTENSION WORKING. PLAN No. 8 (INTERNAL ONLY).

FOR WIRING DIAGRAM SEE N.1405.



Two exchange lines and one extension in parallel. A two position switch enables the user at the extension station to connect his telephone in parallel with either exchange line. Incoming calls received normally at the main stations. Main stations call extension on bells of distinctive tones by ringing. Either station calls exchange by ringing. No secrecy or intercommunication between stations.

MAGNETO SYSTEM.

N. 1447

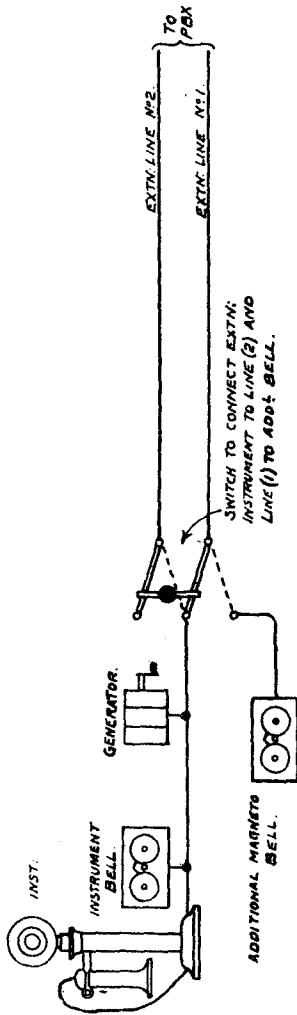
24-11-20

TELE. SER. INSTN. B I REFERS.

EXTENSION WORKING. PLAN No. 9 (INTERNAL OR EXTERNAL).

FOR WIRING DIAGRAM SEE N.1406.

EXTENSION SET



Two extensions from a Private Branch Exchange are terminated on an extension instrument with a two way switch and additional magneto bell. All calls incoming to the extension station are connected on the first line. When dealing with a call on the first line the operation of the two way switch enables an enquiry to be made independently over the second line of any other extension on P.B.X. The extension originates all ordinary calls on the first line, reserving the second line exclusively for originating local enquiries in conjunction with a call already in progress on the first line.

MAGNETO SYSTEM.

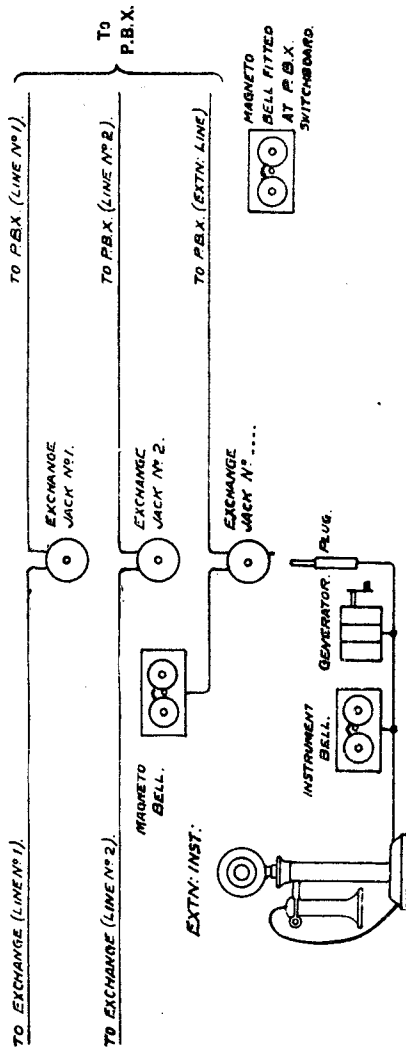
N. 1448

23-11-20

TELE. SER. INSTN. B I REFERS.

EXTENSION WORKING. PLAN NO. 10 (INTERNAL ONLY).

FOR WIRING DIAGRAM SEE N.1407.



Private Branch Exchange. Internal extension with secrecy against the P.B.X. The extension instrument plug is normally in the extension line jack and all calls are completed via the P.B.X. If the extension desires to speak secretly on an already established exchange call, the instrument plug is removed from the extension jack and placed in the exchange line jack, thus disconnecting the exchange line from the P.B.X. switchboard. If the plug is inadvertently left in an exchange line jack an incoming ring will ring both the instrument bell and the additional bell located at the P.B.X. switchboard.

MAGNETO SYSTEM.

N.1449

24-11-20

TELE. SER. INSTN. B I REFERS.

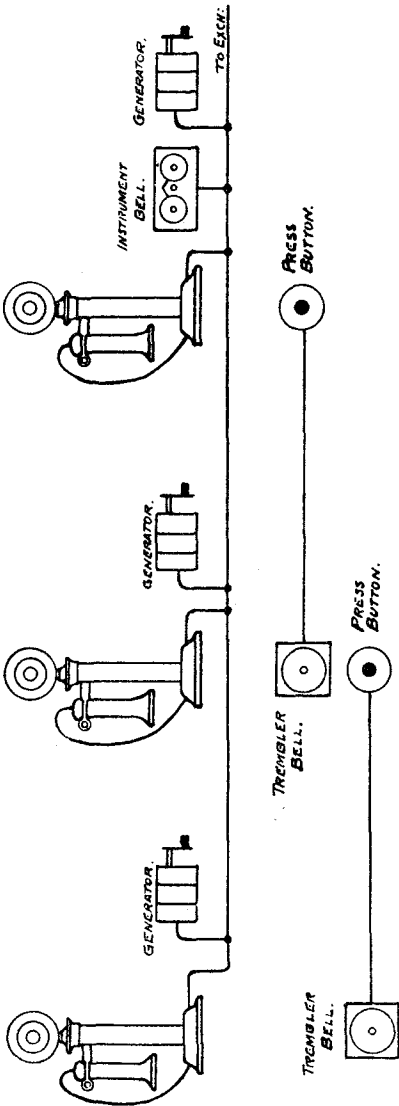
EXTENSION WORKING. PLAN No. 11 (INTERNAL ONLY).

FOR WIRING DIAGRAMS SEE N.1408 TO N.1413.

EXTENSION No. 2.

EXTENSION No. 1.

MAIN.



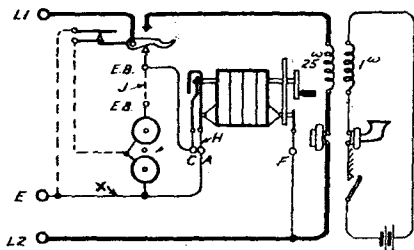
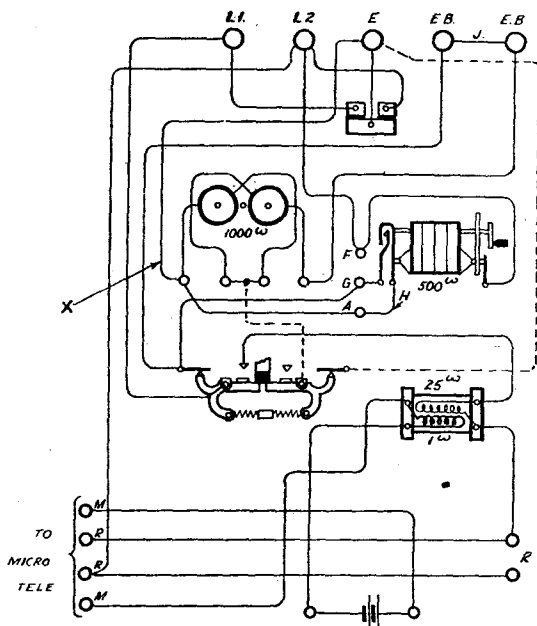
Main set and two extensions in parallel with "filtering" facilities.

Incoming calls received at main telephone. Main calls No. 1 extension by press button. Extension No. 1 calls extension No. 2 by press button. Either station calls exchange by ringing.

No secrecy or intercommunication between stations.

TELEPHONE No. 69 IS TELEPHONE No. 59 WITHOUT GENERATOR.

TELEPHONE No. 59.



NOTE - THE SET IS SHOWN READY FOR MAGNETO WORKING. FOR C.B.S. WORKING: - CONNECT TERMINAL "E" TO EARTH: IF GENERATOR IS REQUIRED REMOVE CONNECTION "H"; IF NOT REQUIRED RECOVER AND LEAVE TERMINALS "A", "C" AND "F" DISCONNECTED. JOIN BELL COILS IN PARALLEL, IF EXTENSION BELL IS NEEDED ON EITHER SYSTEM REMOVE CONNECTION "J" AND CONNECT BELL IN PLACE THEREOF. IF GENERATOR NO. 4 IS FITTED CONNECT TERMINAL "F" TO LONG SPRING, TERMINAL "C" TO FRAME, & TERMINAL "H" TO OUTER SPRING. FOR CENTRE POINT CLEARING, DISCONNECT WIRE X & CONNECT CENTRE OF BELL COILS TO EARTH VIA SWITCH - NOOK AS SHOWN DOTTED.

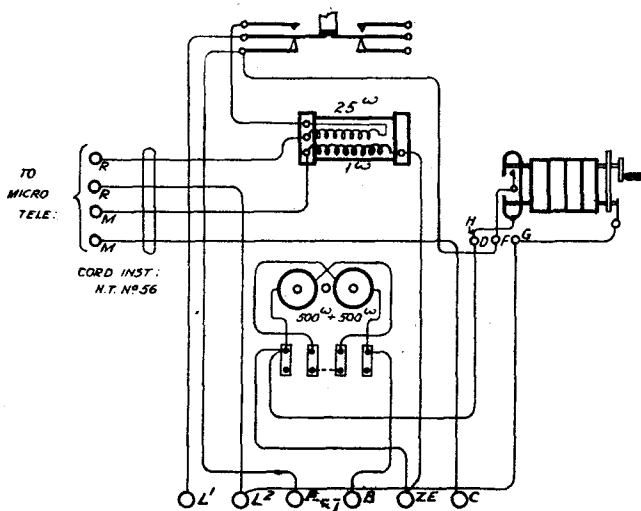
C.B.S. 203 C.

N.159.

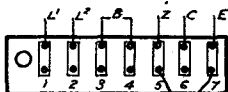
10-4-17

TELEPHONE No. 90 IS TELEPHONE No. 88 WITHOUT GENERATOR.

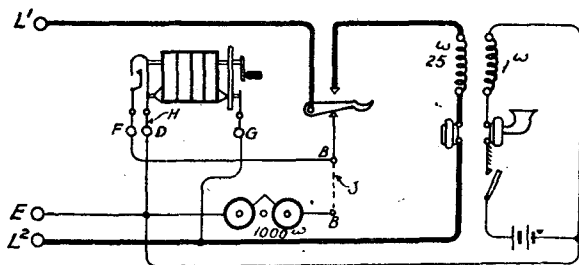
TELEPHONE No. 88.



WHEN FITTED WITH "FLEXIBLE CORD CONNECTION STRIP 7 TERM." AND CORD FLEXIBLE No 804," CONNECT AS SHOWN:-



EXPLANATORY



NOTE:-

THE SET IS SHOWN READY FOR MAGNETO WORKING.
 FOR C.B.S. WORKING CONNECT TERMINAL E TO EARTH.
 IF GENERATOR IS REQUIRED REMOVE CONNECTION H.
 IF NOT REQUIRED RECOVER AND LEAVE TERMINALS D, F, G.
 DISCONNECTED, JOIN BELL COILS IN PARALLEL.
 IF EXTENSION BELL REQUIRED ON EITHER SYSTEM REMOVE
 CONNECTION J AND CONNECT BELL IN PLACE THEREOF.

N.188.
 G.B. 292.