

Internal Construction Guide

Strowger

Miscellaneous Small Parts

INTERNAL CONSTRUCTION GUIDE

STROMGER: MISCELLANEOUS SMALL PARTS

FOREWORD

This guide for Internal Construction Staff has been produced by extracting relevant information from the Equipment Selection and Ordering Guide (ESOG) which is available to Internal Planners and Works Controls. This guide may also be of use to Stores Staff as a means of identifying items when checking stores against delivery notes.

References to the ESOG have been retained in two ways:-

- 1 The ESOG Section and page number
- 2 The identification letters shown alongside the items.

These two references will enable Planners and Controls to assimilate with the Internal Construction and Stores Staff in the field during their communications.

The guide is sectionalised into the following headings.

Numerical Index	Page
Frames	1
Linefinder	4
O/H Ironwork	5
Power Distribution	9
Routine	16
Switchboards and Desks	17
Traffic Recorder	19
2 Motion Selector & Apparatus Racks	20
UAX	24
Uniselector	25
Common Parts	27

Index

Part No.	Section	Page	Part No.	Section	Page	Part No.	Section	Page
Busbar	Power Distribution	9						
Busbar Tube	" "	9	ES 6466	O/H Ironwork	7			
			ES 6467	" "	7	TP355	Frames	2
			ES 6470	" "	7	TP356	"	2
			ES 6471	" "	7			
						TP360	Frames	3
ES 5910	O/H Ironwork	5	TP135	O/H Ironwork	8			
ES 5911	" "	5						
ES 5912	" "	5	TP201	UAX	24			
ES 5913	" "	5	TP202	Power Distribution	9	TP401	Routiner	16
ES 5914	" "	5	TP203	2 Motion Sel'r & Apparatus Racks	20			
ES 5915	" "	5						
ES 5916	" "	6	TP209	Uniselector	25			
ES 5917	" "	6						
ES 5918	" "	6	TP211	2 Motion Sel'r & Apparatus Racks	20			
ES 5919	" "	6						
ES 5920	" "	6	TP215	Common Parts	27			
ES 5921	" "	6						
ES 5922	" "	6	TP223	Uniselector	25			
ES 5923	" "	6				TP550	Common Parts	27
ES 5924	" "	6	TP228	Routiner	16			
ES 5946	" "	6	TP237	2 Motion Sel'r & Apparatus Racks	20			
ES 5950	" "	7	TP310	Common Parts	27			
			TP346	Frames	1			
			TP347	"	1			
ES 5957	" "	7						
			TP350	"	1	TP600	Common Parts	28,29

Index

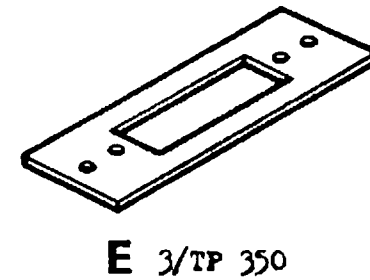
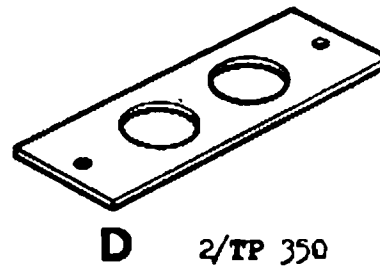
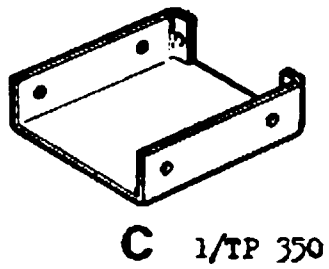
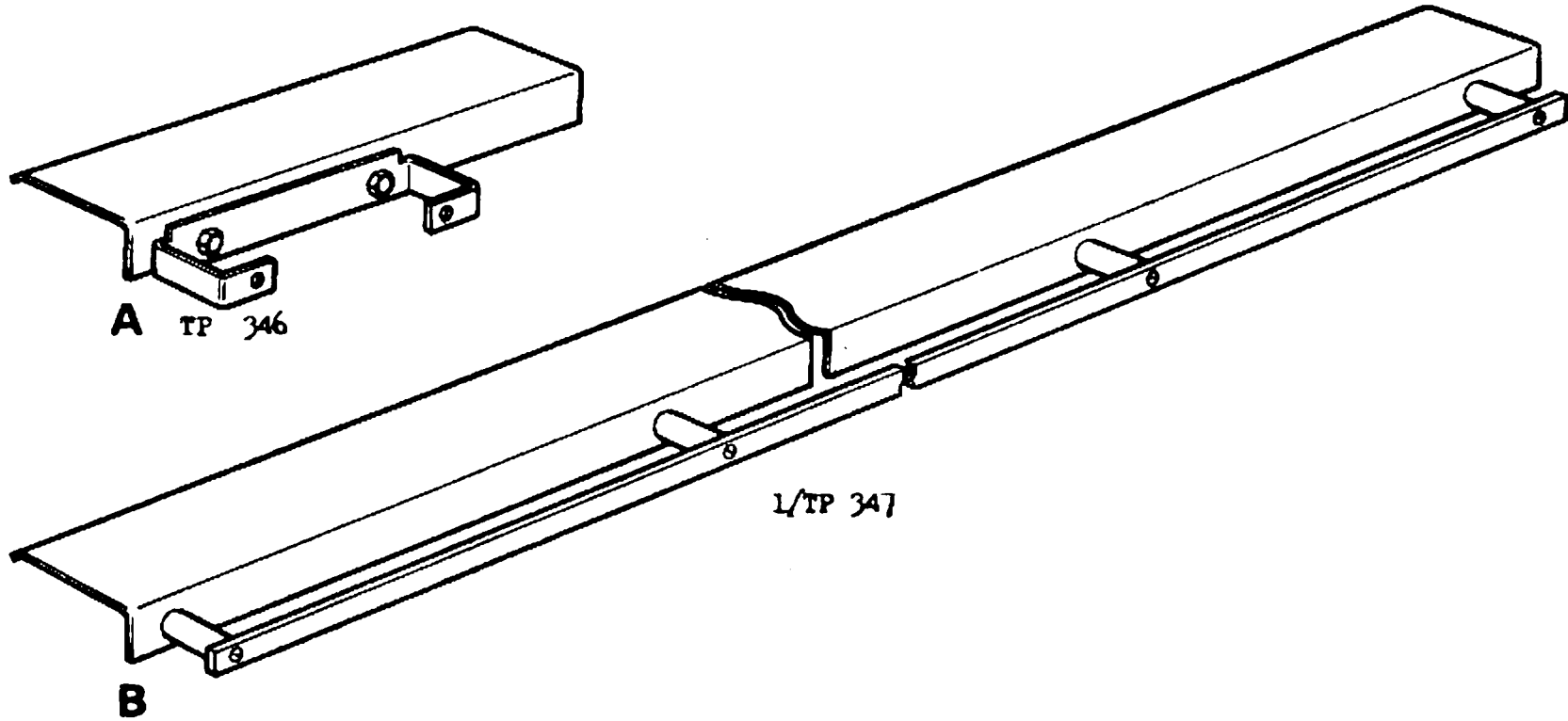
Part No.	Section	Page	Part No.	Section	Page	Part No.	Section	Page
TP608	Common Parts	30	TP1008	Power Distribution	14	TP1106	Common Parts	36
TP609	Traffic Recorder	19	TP1009	" "	14	TP1107	" "	36
TP610	Common Parts	31	TP1010	" "	14			
TP612	Power Distribution	10-12	TP1011	Common Parts	33			
TP613	" "	13	TP1012	" "	33			
TP614	Common Parts	31				TP1115	Uniselector	25
TP616	Power Distribution	13				TP1116	Common Parts	36
TP623	Common Parts	31	TP1019	2 Motion Sel'r & Apparatus Racks	21	TP1123	Uniselector	26
TP633	" "	31	TP1021	" " " " " "	21	TP1125	Common Parts	36
TP634	" "	31	TP1022	" " " " " "	21	TP1127	Uniselector	26
TP643	Power Distribution	13	TP1023	" " " " " "	21	TP1128	Common Parts	36
			TP1024	Common Parts	33			
			TP1025	" "	34	TP1132	" "	37
			TP1026	" "	34	TP1133	" "	38
			TP1027	2 Motion Sel'r & Apparatus Racks	22			
			TP1028	Common Parts	34	TP1135	2 Motion Sel'r & Apparatus Racks	22
			TP1031	" "	34	TP1140	" " " " " "	22
TP698	Common Parts	32						
TP699	" "	33	TP1040	Power Distribution	15	TP1165	2 Motion Sel'r & Apparatus Racks	22
			TP1050	Common Parts	34	TP1167	" " " " " "	22
TP999	Switchboards & Desks	17, 18	TP1055	" "	35	TP1168	" " " " " "	22
TP1001	Common Parts	33	TP1079	" "	35	TP1169	" " " " " "	23
TP1003	" "	33	TP1105	" "	35	TP1170	" " " " " "	23
TP1006	Power Distribution	14				TP1178	Common Parts	39

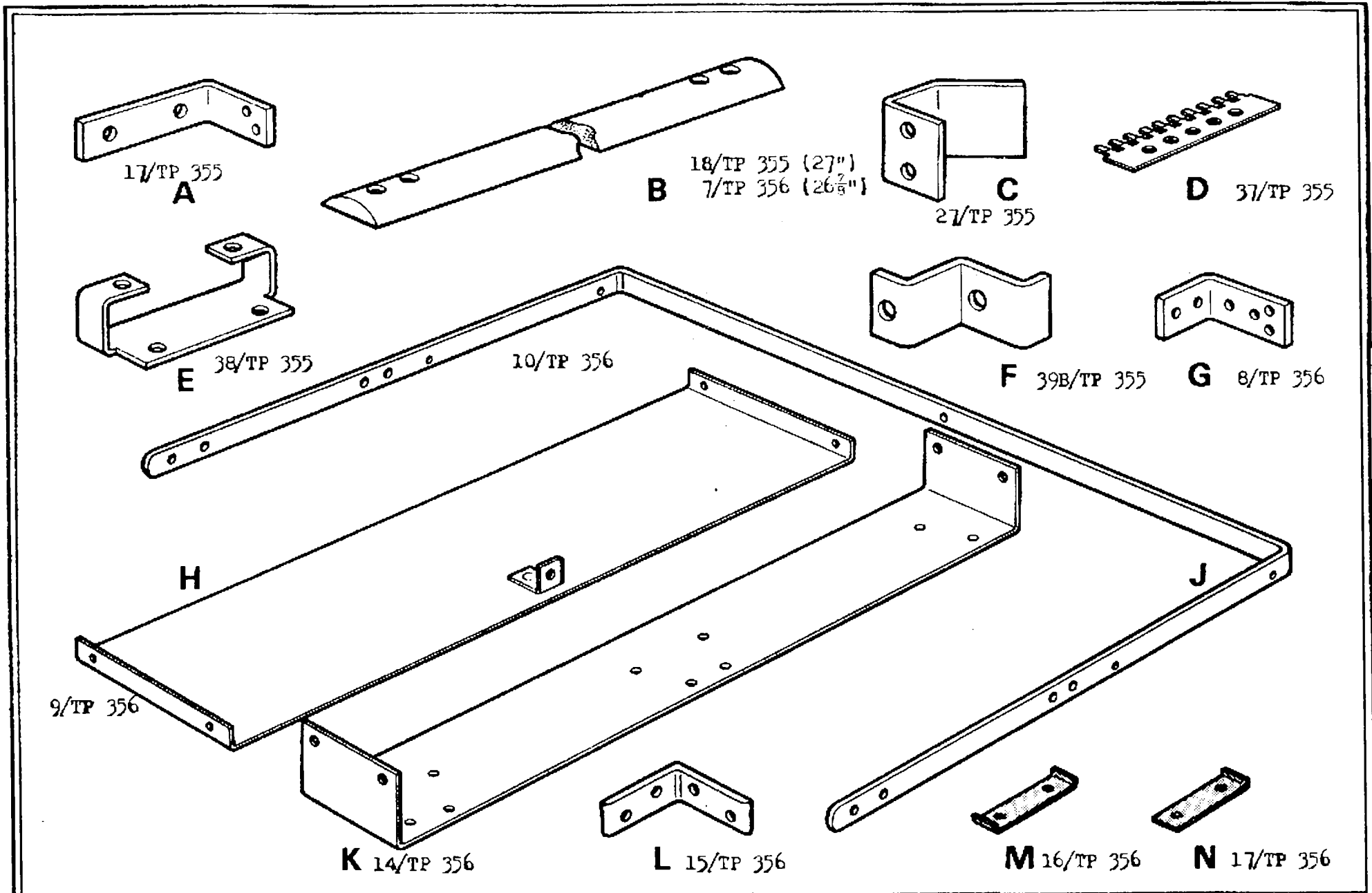
Index

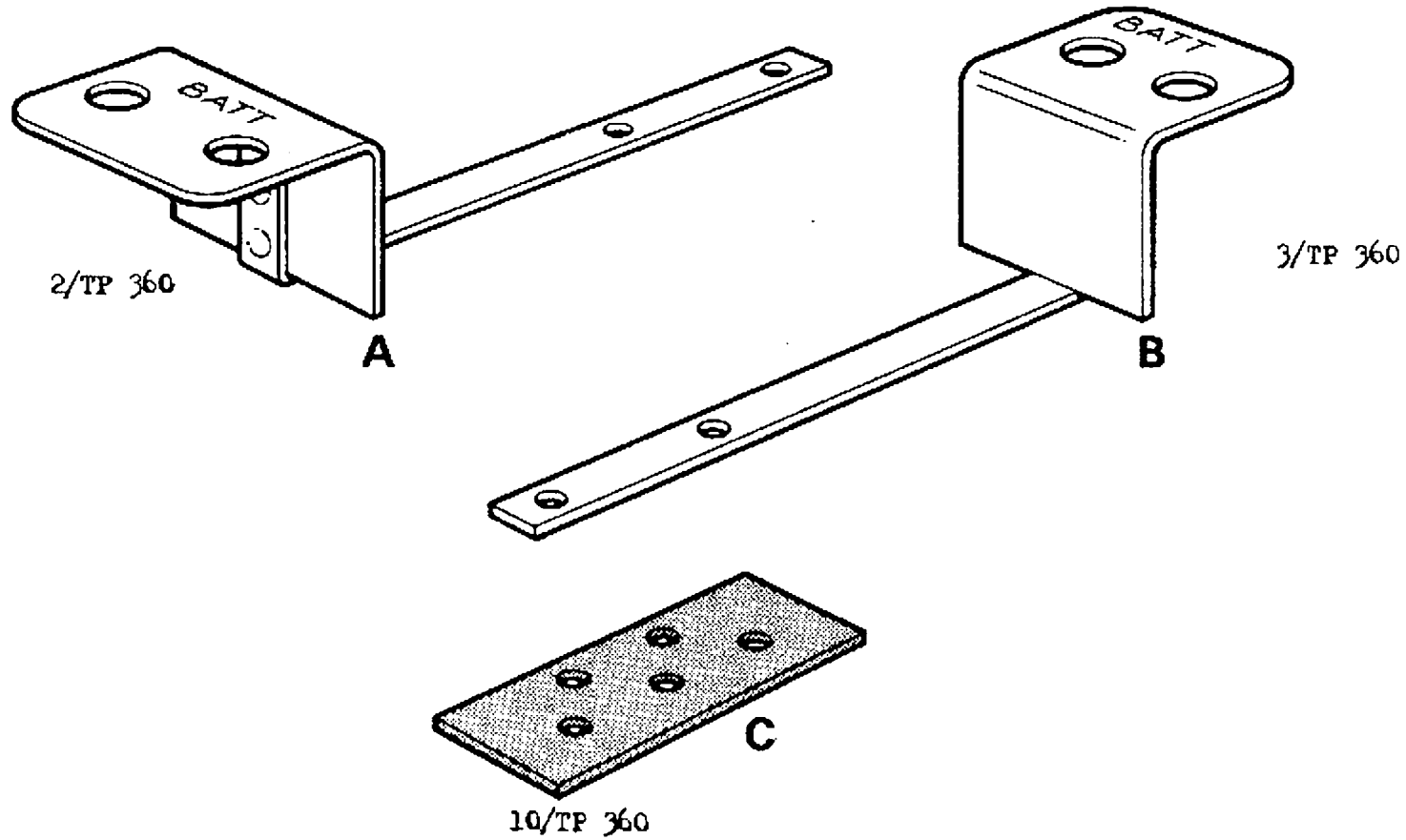
Part No.	Section	Page	Part No.	Section	Page	Part No.	Section	Page
TP1182	Linefinder	4	TP5143	2 Motion Sel'r & Apparatus Racks	23	TP5908	Common Parts	41
TP1188	Common Parts	39				TP5937		41
TP1222	Common Parts	39	TP5613	2 Motion Sel'r & Apparatus Racks	23			
TP1223	" "	39	TP5614	" " " " " "	23	TP5952	Common Parts	41
TP1244	Common Parts	39	TP5657	Common Parts	40	TP6000	UAX	24
TP1247	" "	39				TP6019	"	24
TP1261	Uniselector	26	TP5696	Linefinder	4	TP6032	Common Parts	41
			TP5716	"	4			
			TP5742	Common Parts	40			
TP1302	Power Distribution	15				TP8090	Switchboards & Desks	18
TP1306	Power Distribution	15	TP5769	2 Motion Sel'r & Apparatus Racks	23	TP8175	Traffic Recorder	19
TP1308	" "	15				TP8190	Common Parts	42
						TP8196	" "	42
TP3130	Uniselector	26	TP5901	Common Parts	40	TP8202	Switchboards & Desks	18
TP3131	"	26				TP8360	Common Parts	42

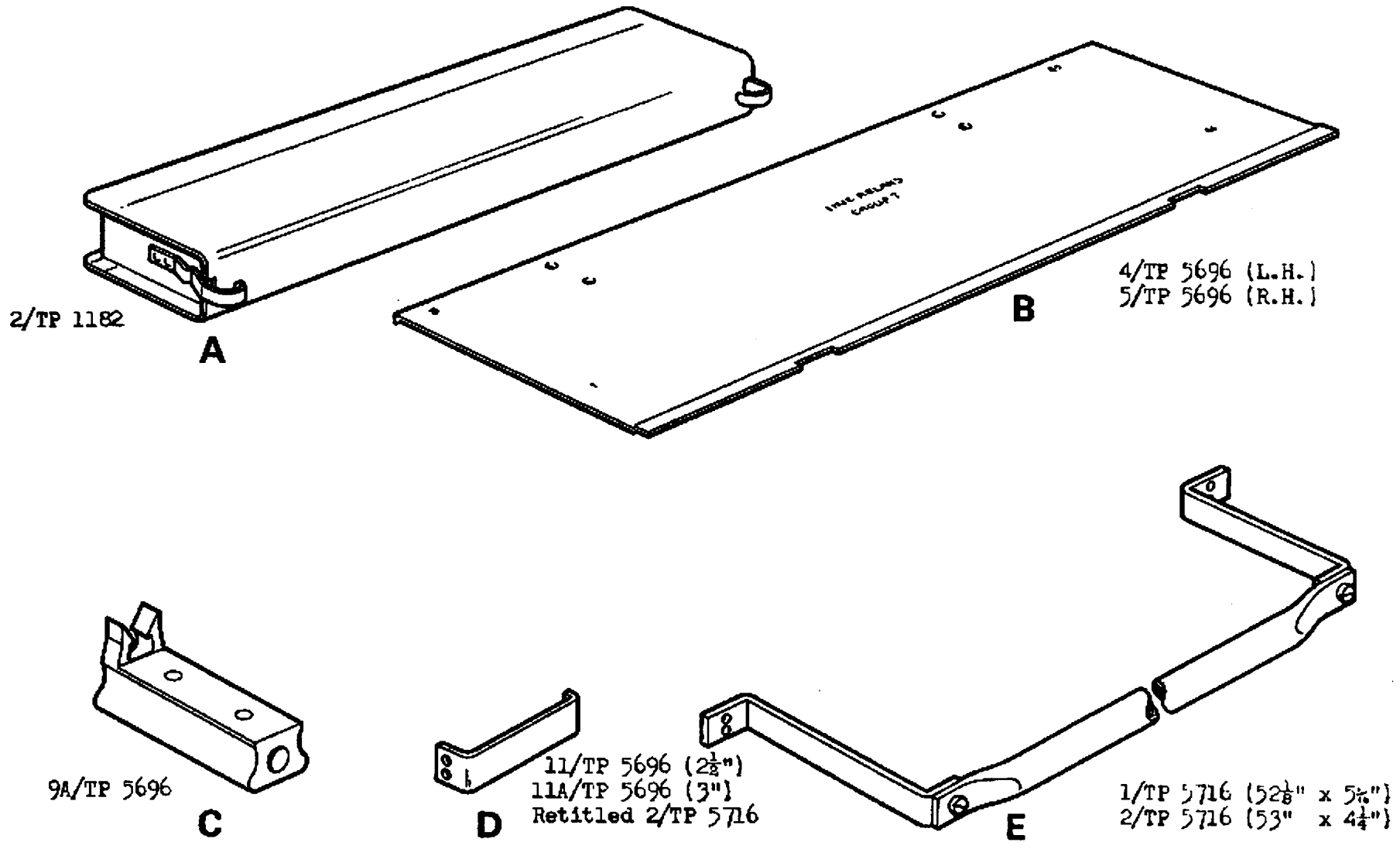
Index

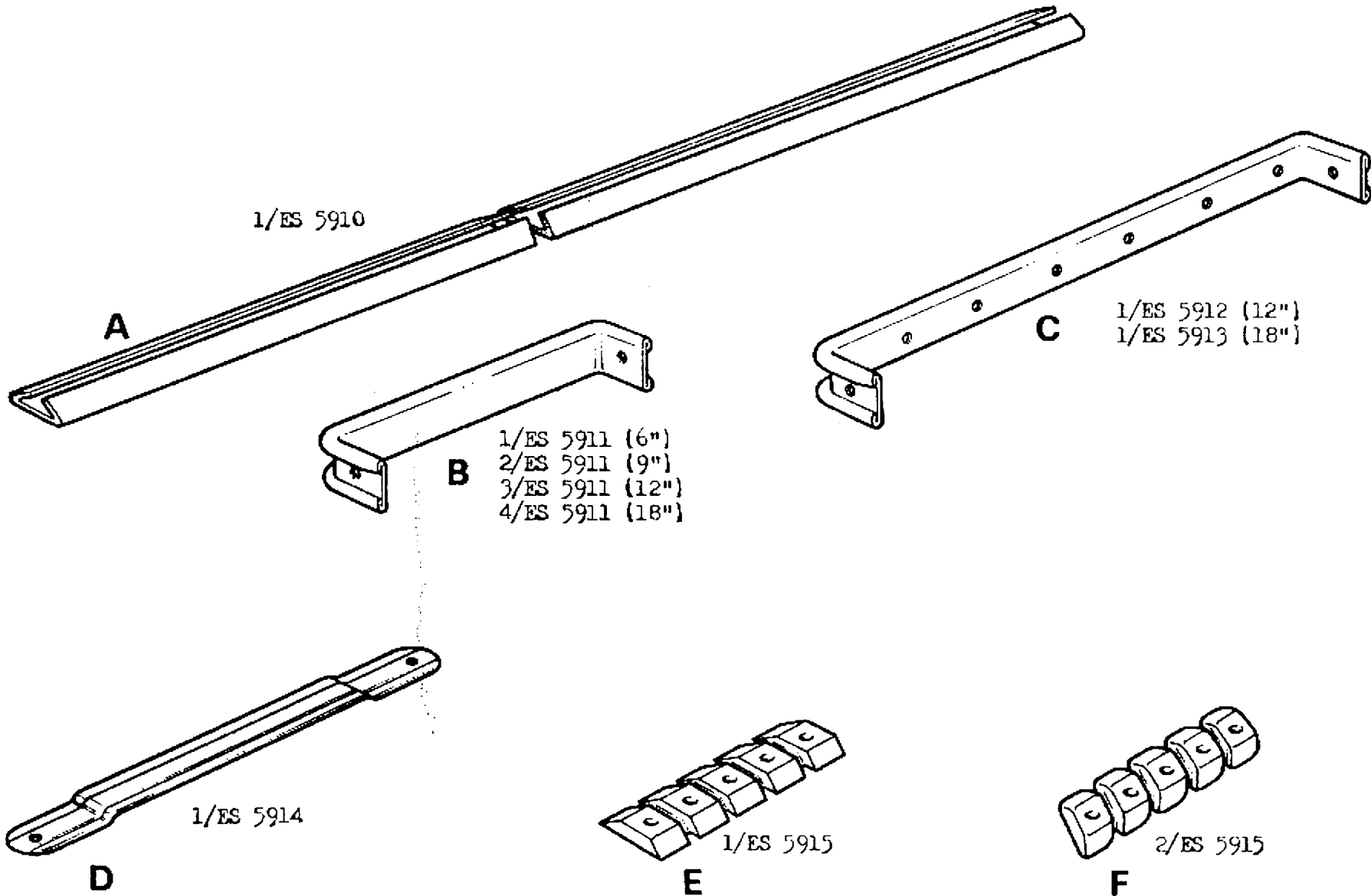
Part No.	Section	Page	Part No.	Section	Page	Part No.	Section	Page
TP8509	UAX	24						
TP9102	Common Parts	42						

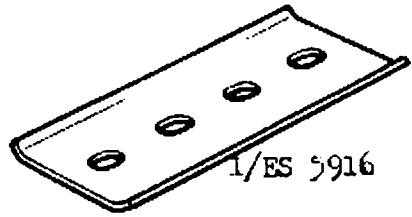






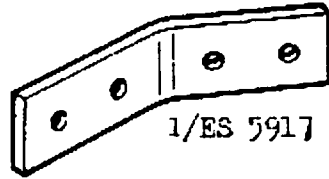






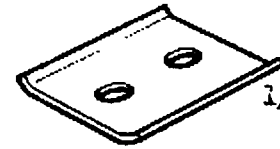
1/ES 5916

A



1/ES 5917

B



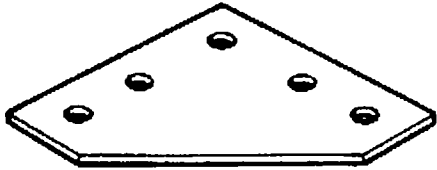
1/ES 5918

C

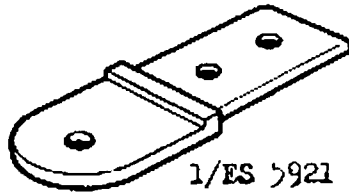


1/ES 5919

D

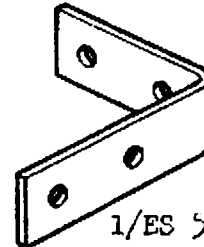


E 1/ES 5920



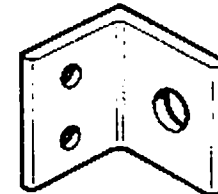
1/ES 5921

F



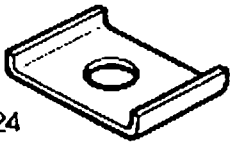
1/ES 5922

G



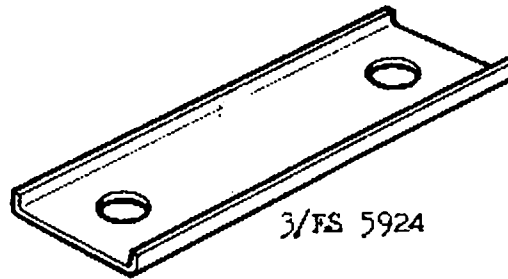
1/ES 5923

H



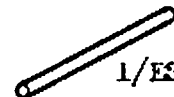
1/ES 5924

J



3/ES 5924

K



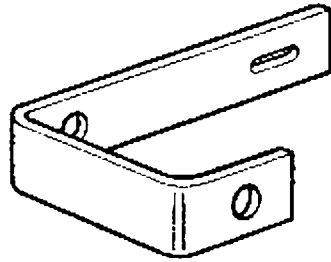
1/ES 5946

L



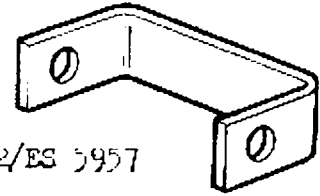
1/ES 5950

A



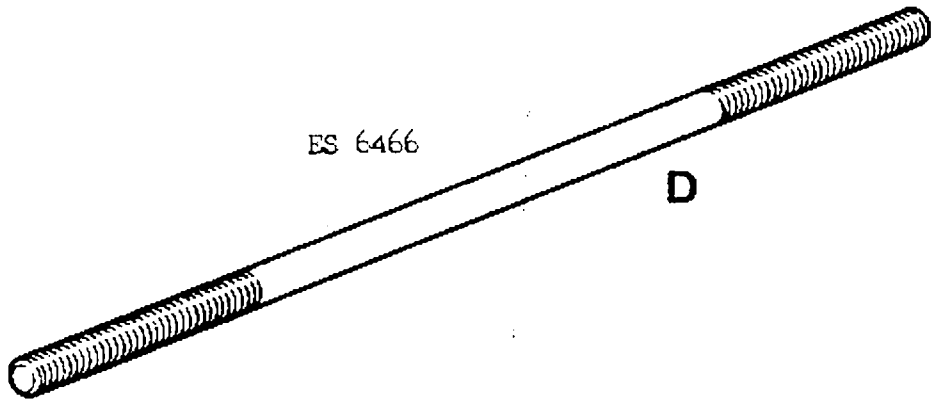
1/ES 5957

B



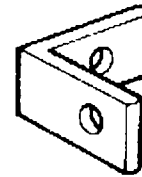
2/ES 5957

C



ES 6466

D



ES 6467

E



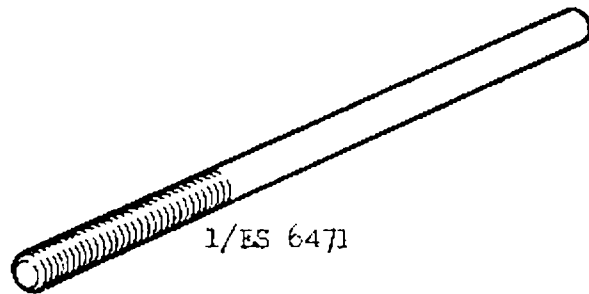
1/ES 6470

F



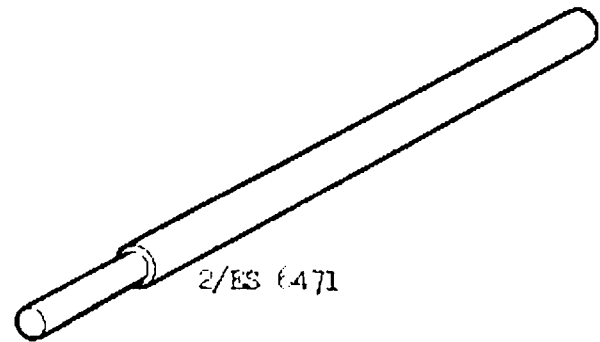
2/ES 6470

G



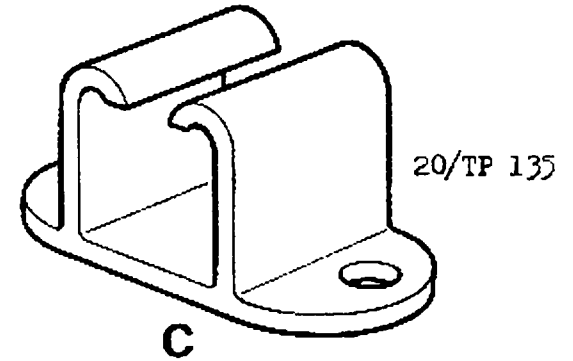
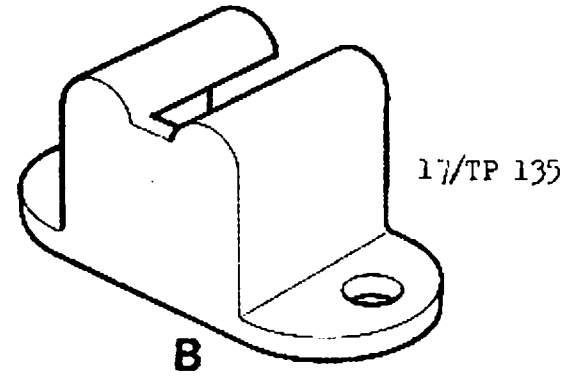
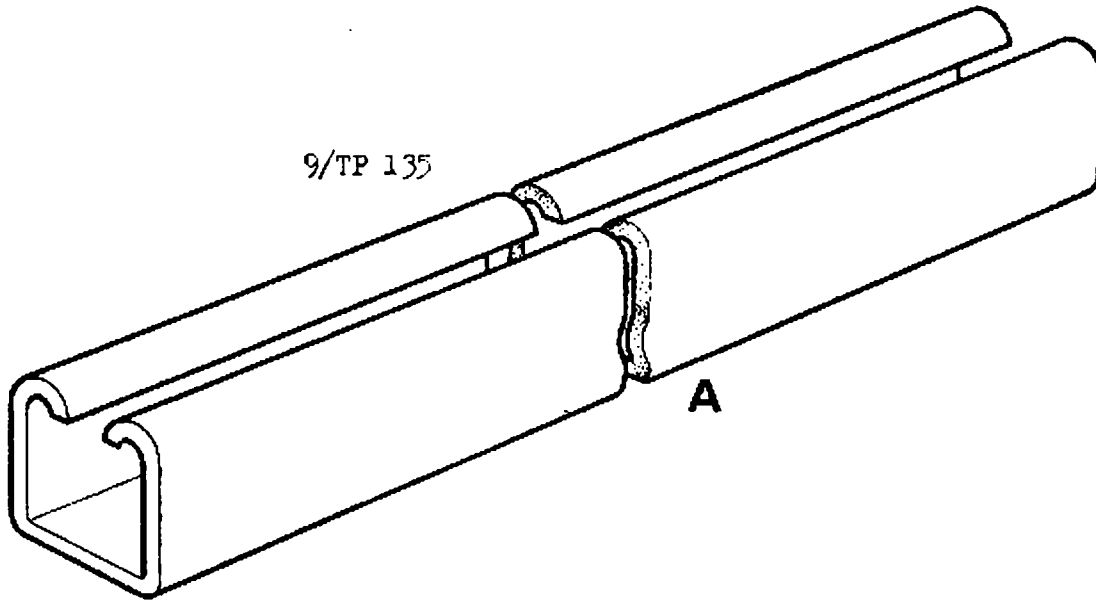
1/ES 6471

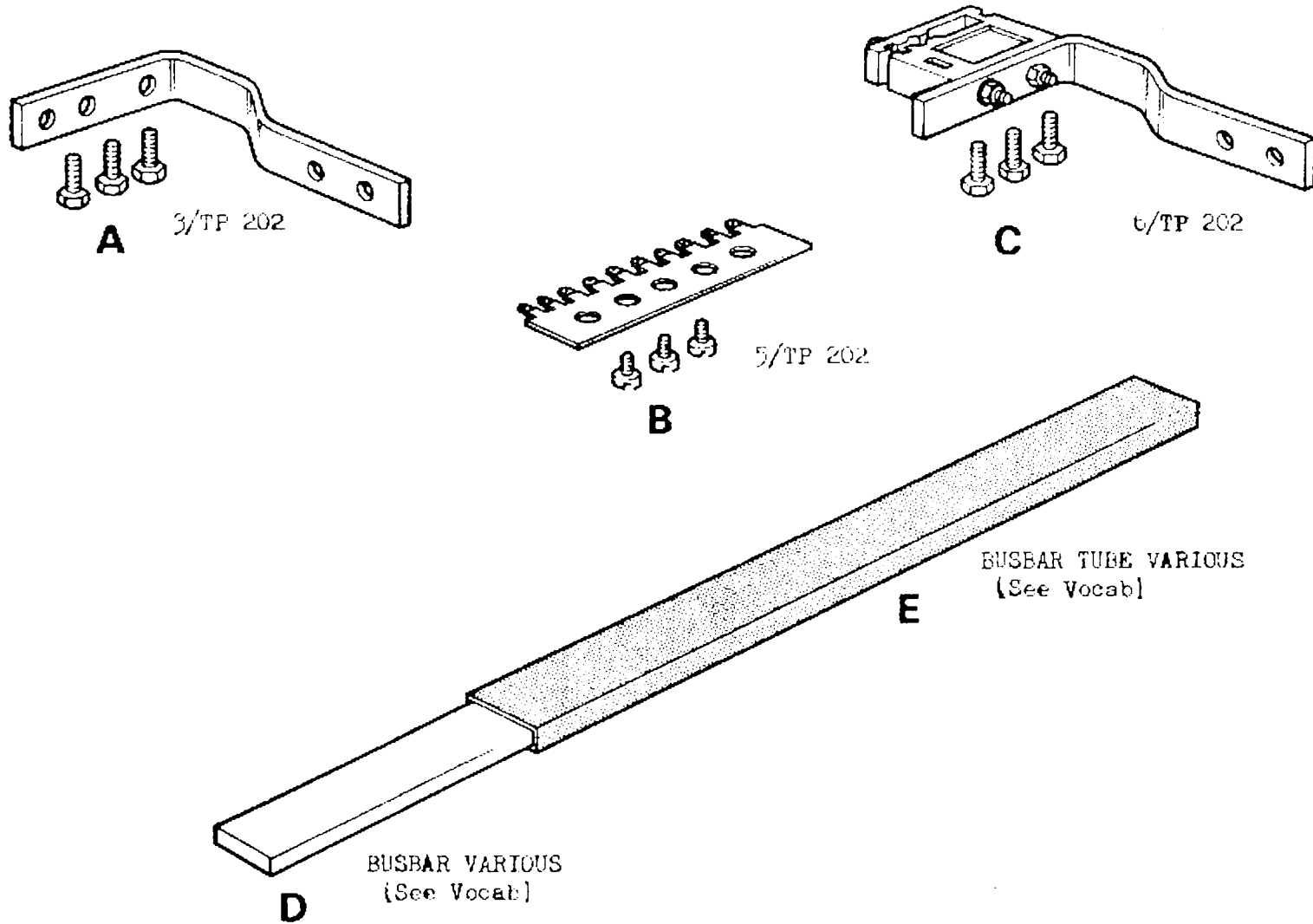
H

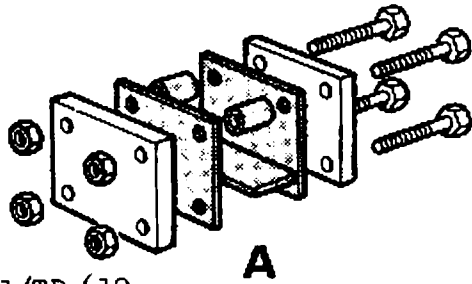


2/ES 6471

J

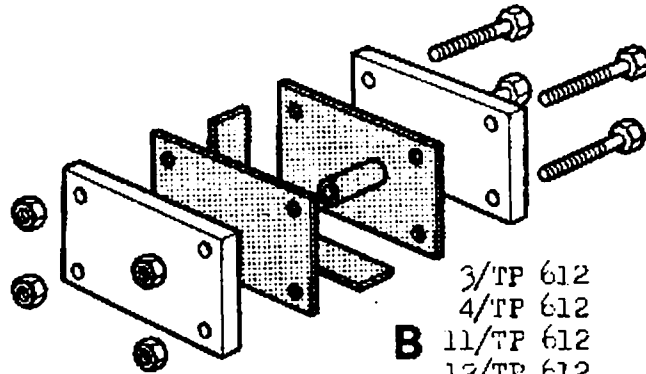






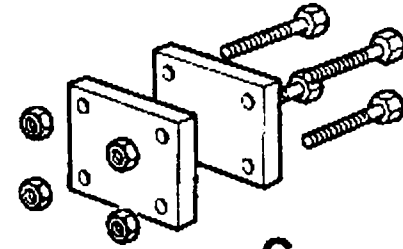
A

1/TP 612
2/TP 612
19/TP 612 to 24/TP 612



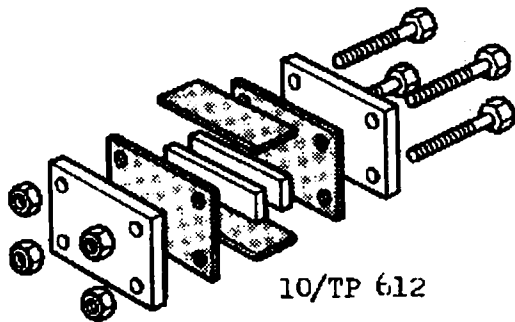
B

3/TP 612
4/TP 612
11/TP 612
12/TP 612
16/TP 612
17/TP 612



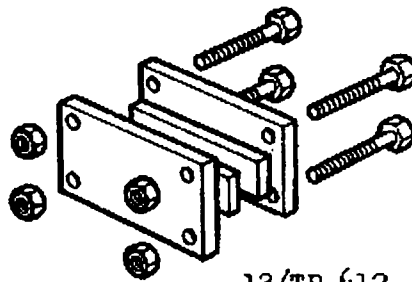
C

5/TP 612 to 9/TP 612
14/TP 612
15/TP 612



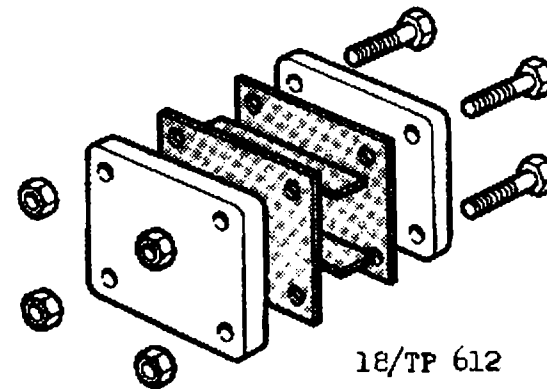
D

10/TP 612



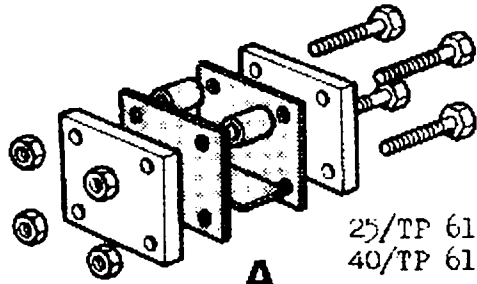
E

13/TP 612



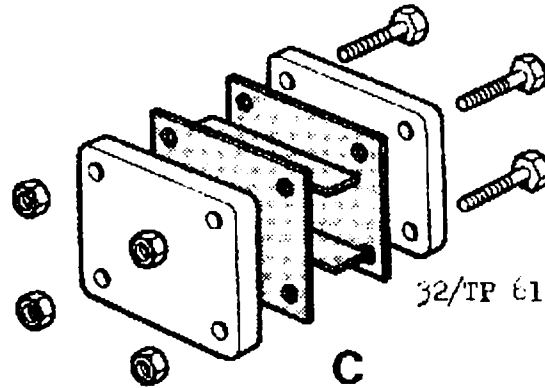
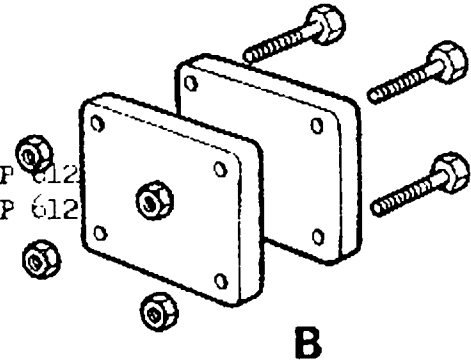
F

18/TP 612

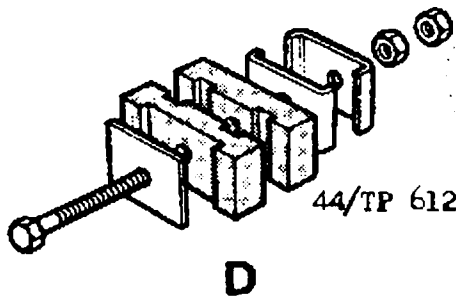


25/TP 612 to 27/TP 612
40/TP 612 to 43/TP 612

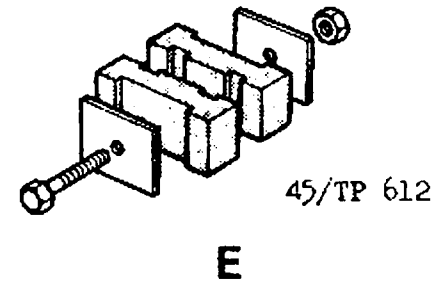
28/TP 612 to 31/TP 612
36/TP 612 to 39/TP 612



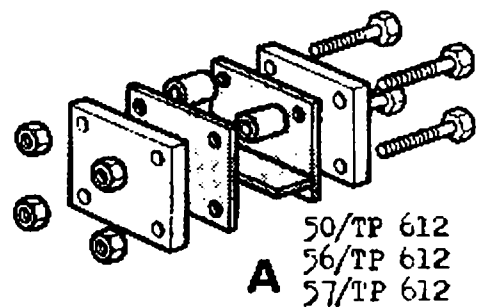
32/TP 612 to 35/TP 612



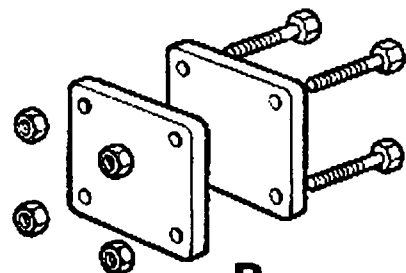
44/TP 612



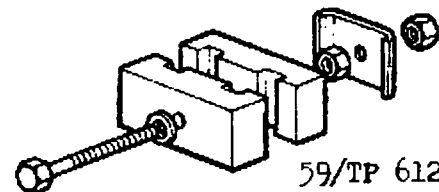
45/TP 612



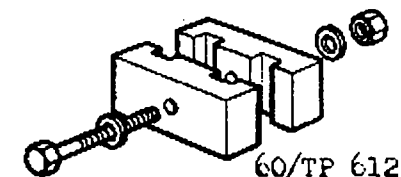
A
50/TP 612
56/TP 612
57/TP 612



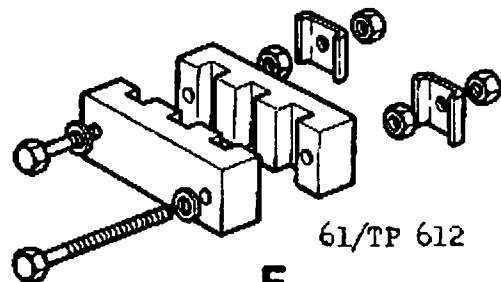
B
51/TP 612 to 55/TP 612



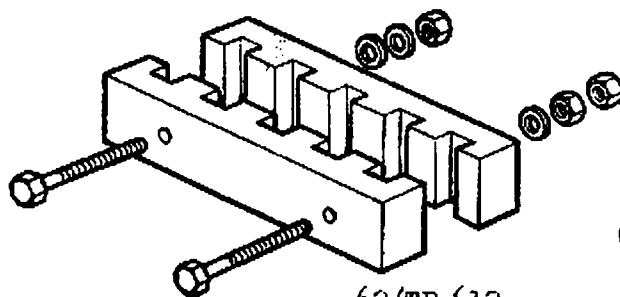
C
59/TP 612



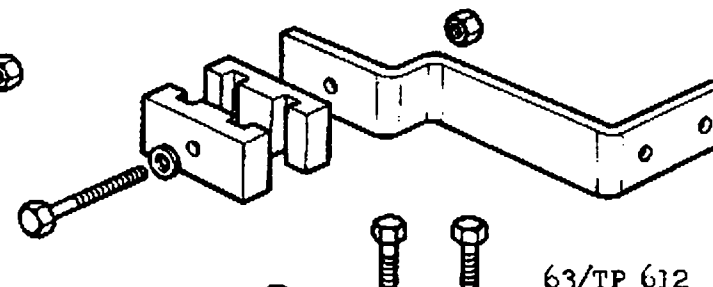
D
60/TP 612



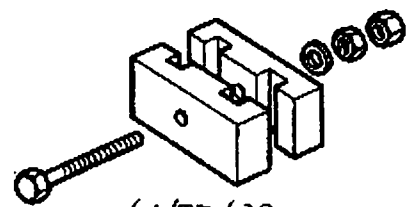
E
61/TP 612



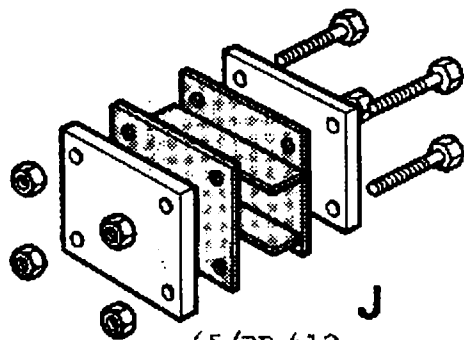
F
62/TP 612



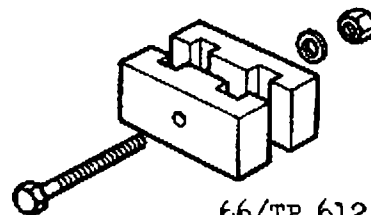
G
63/TP 612



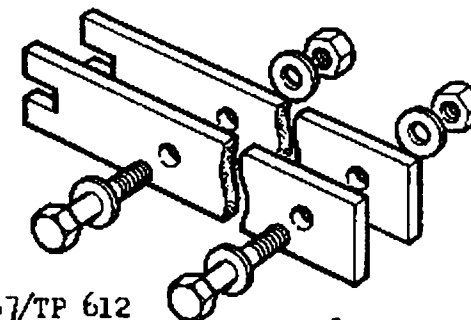
H
64/TP 612



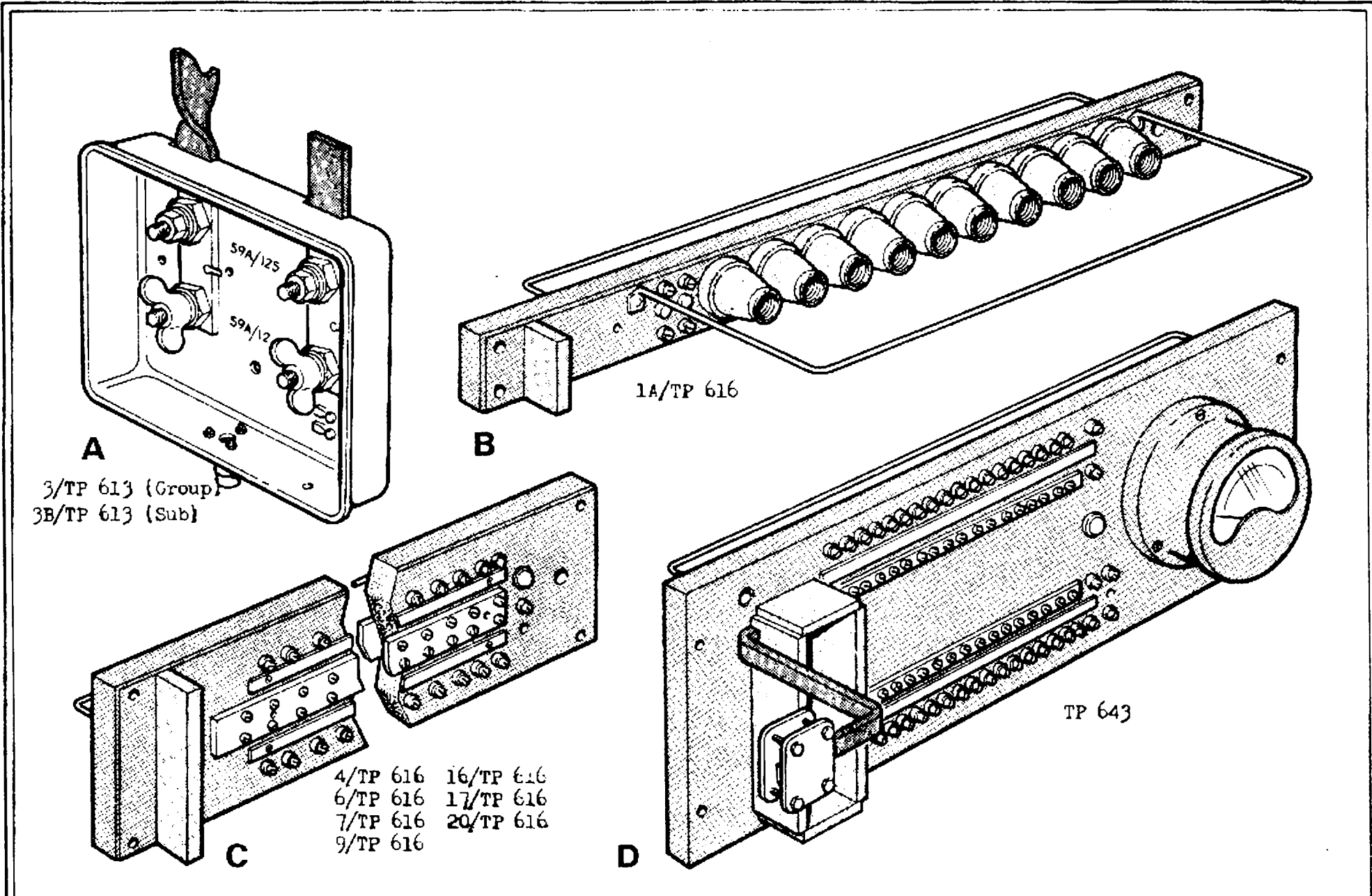
J
65/TP 612

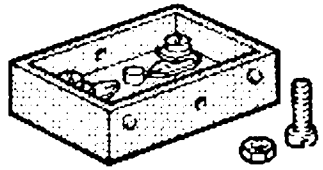


K
66/TP 612

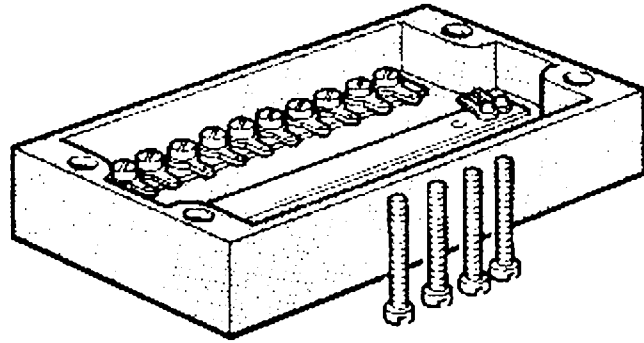


L
67/TP 612
68/TP 612

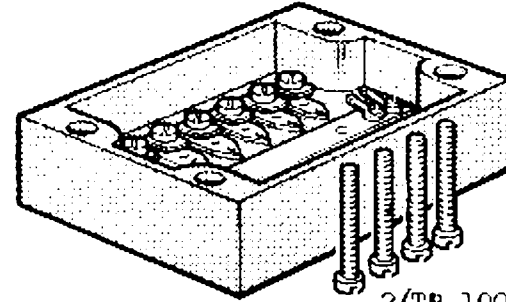




A TP 1006



B 1/TP 1008



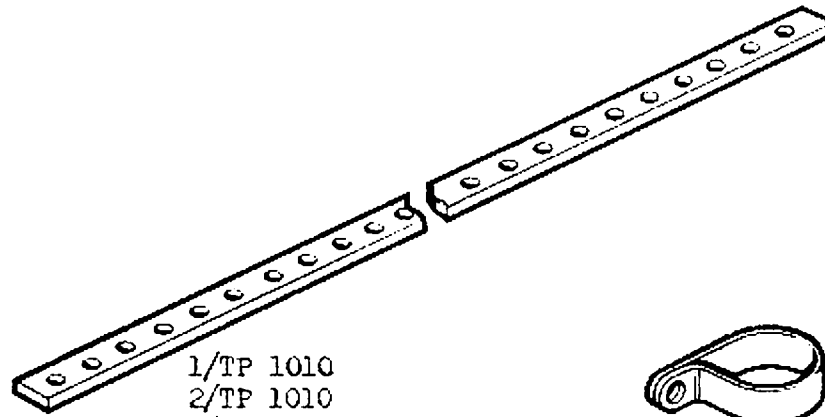
C 2/TP 1008



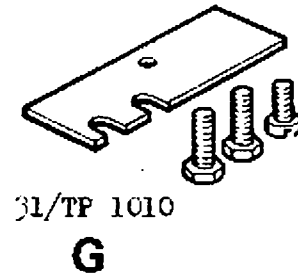
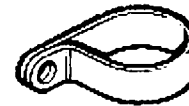
D
3/TP 1009
4/TP 1009



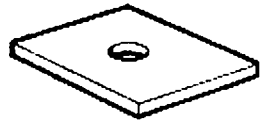
E
7/TP 1009



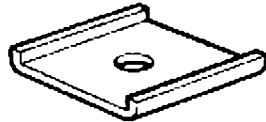
F
1/TP 1010
2/TP 1010
10/TP 1010



G
31/TP 1010



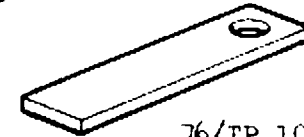
A 68/TP 1040



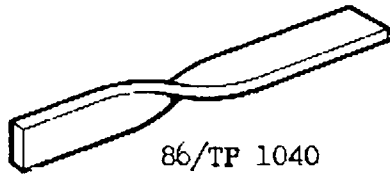
B 69/TP 1040



C 75/TP 1040

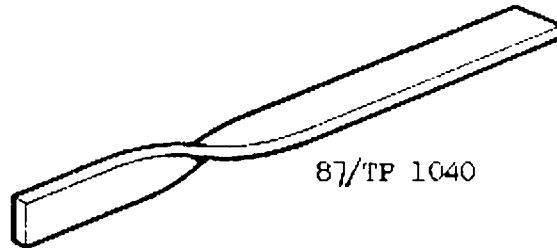


D 76/TP 1040



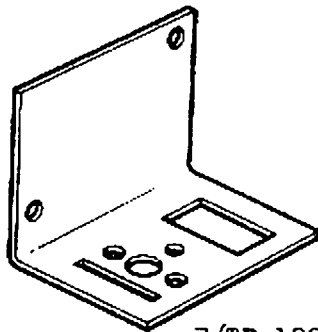
E

86/TP 1040



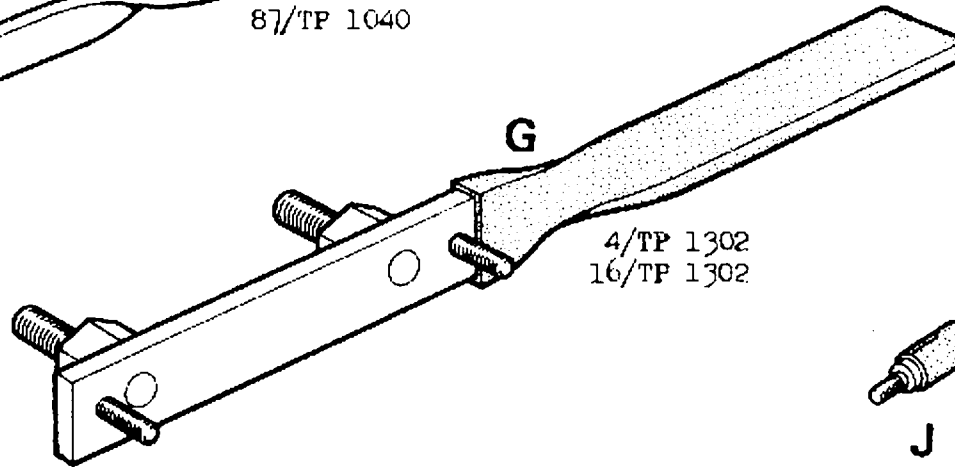
F

87/TP 1040



H

7/TP 1302



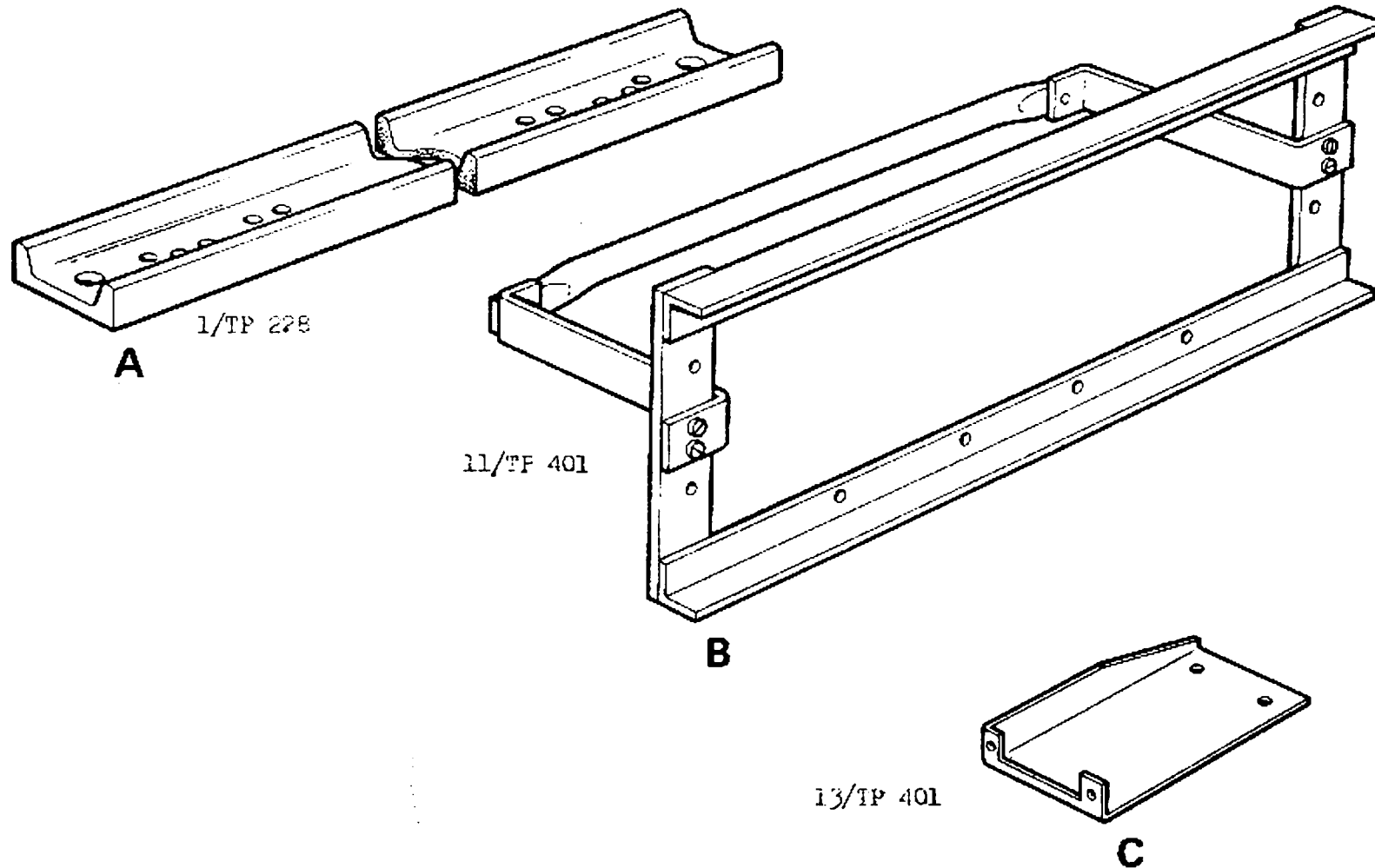
G

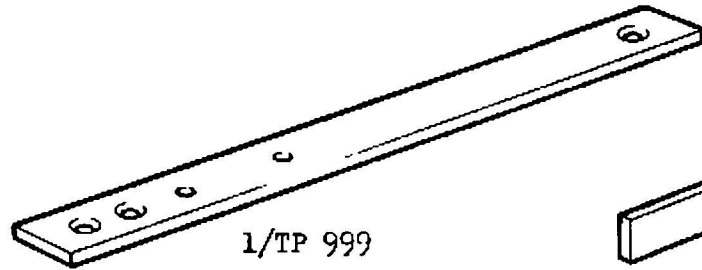
4/TP 1302
16/TP 1302



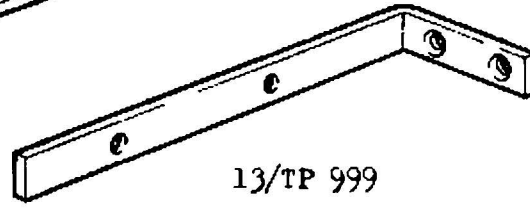
J

TP 1306
TP 1308

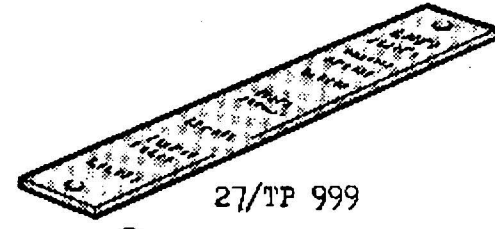




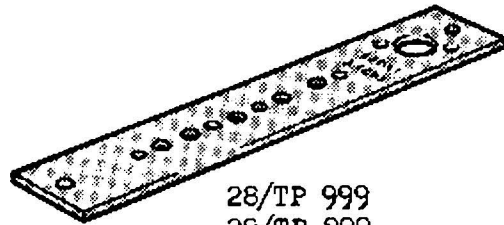
A



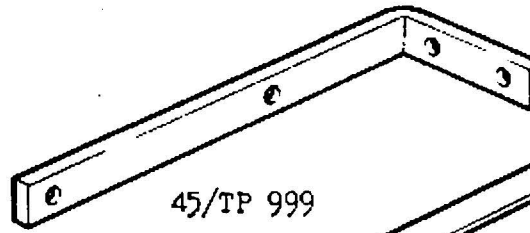
B



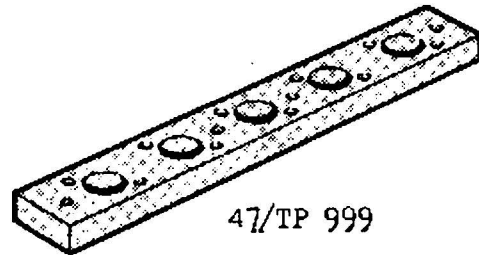
C



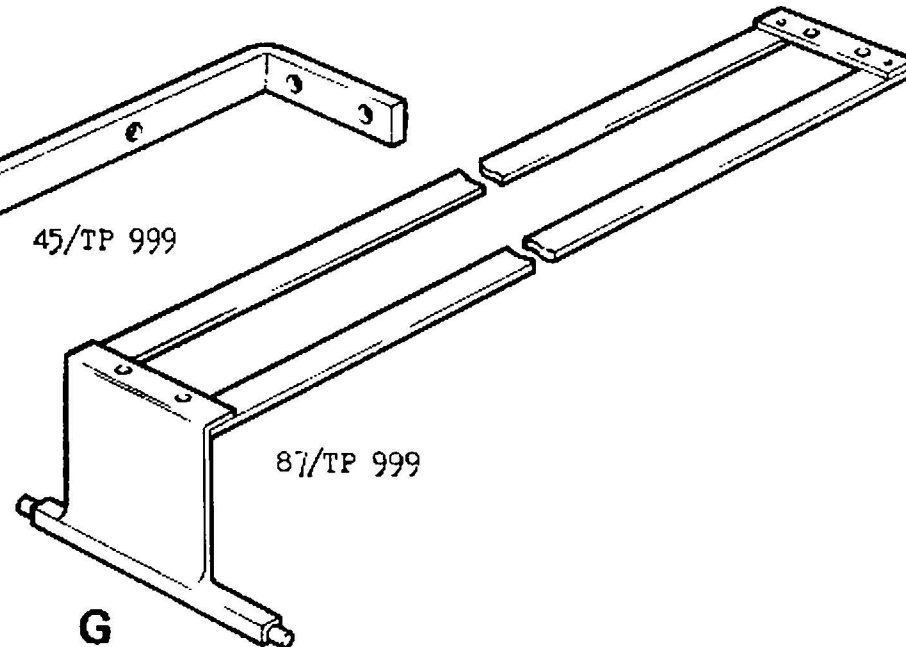
D



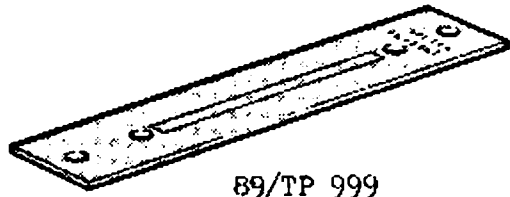
E



F

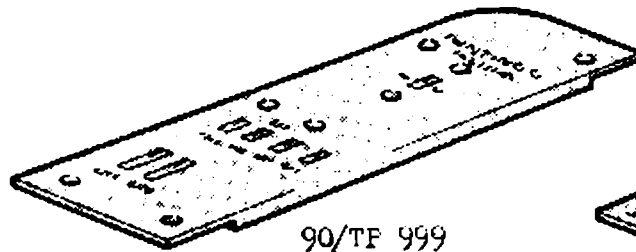


G



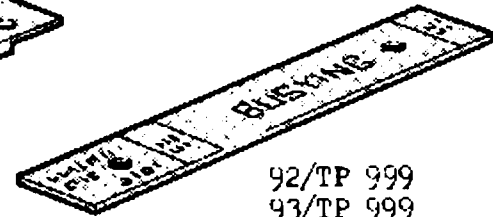
89/TP 999

A



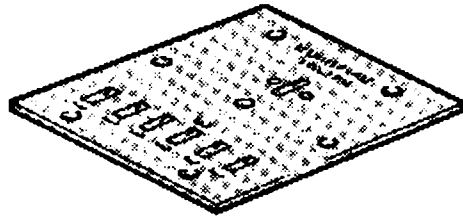
90/TP 999
91/TP 999

B



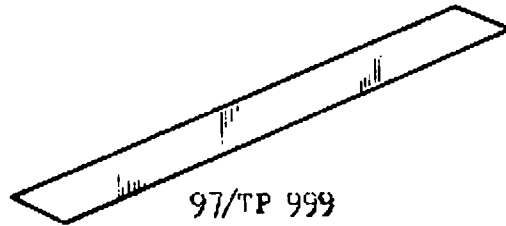
92/TP 999
93/TP 999
95/TP 999

C



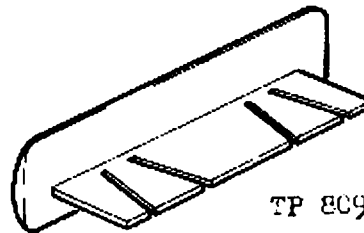
94/TP 999

D



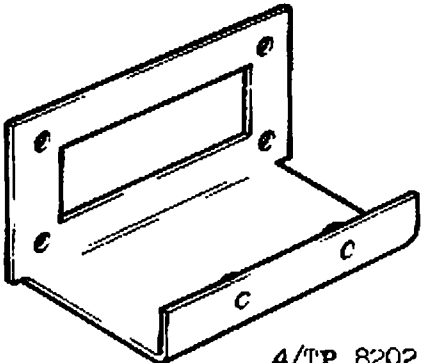
97/TP 999

E



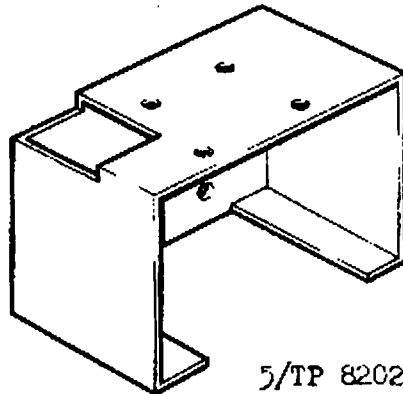
TP 809C

F



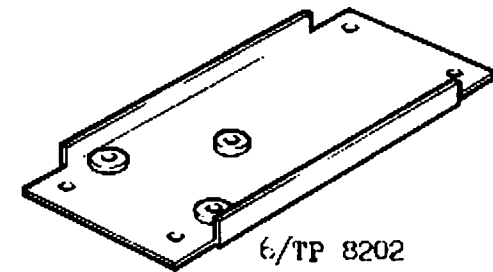
4/TP 8202

G



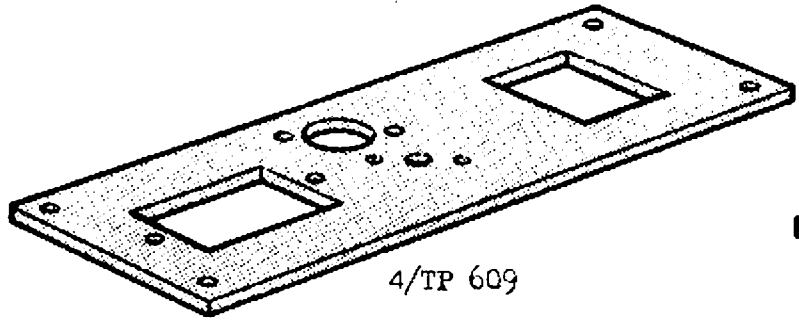
5/TP 8202

H



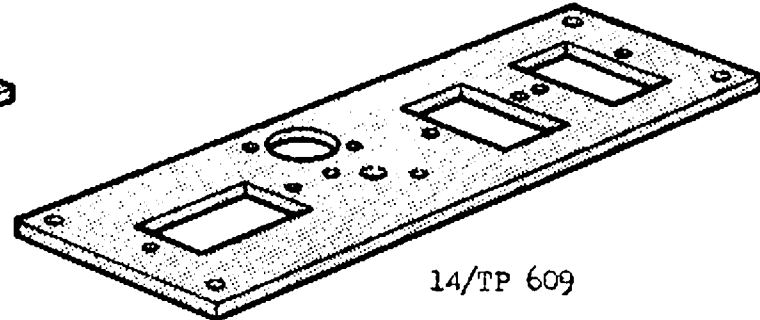
6/TP 8202

J



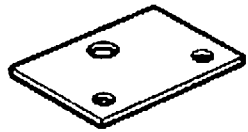
A

4/TP 609



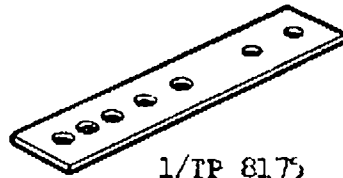
B

14/TP 609



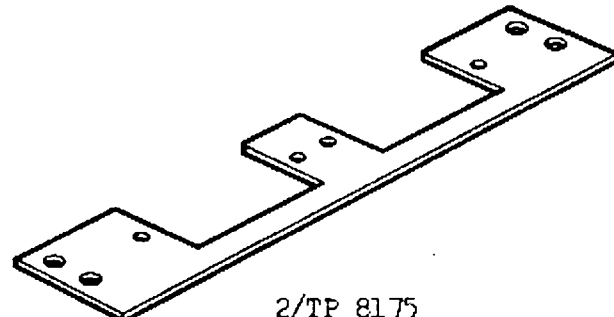
C

15/TP 609



D

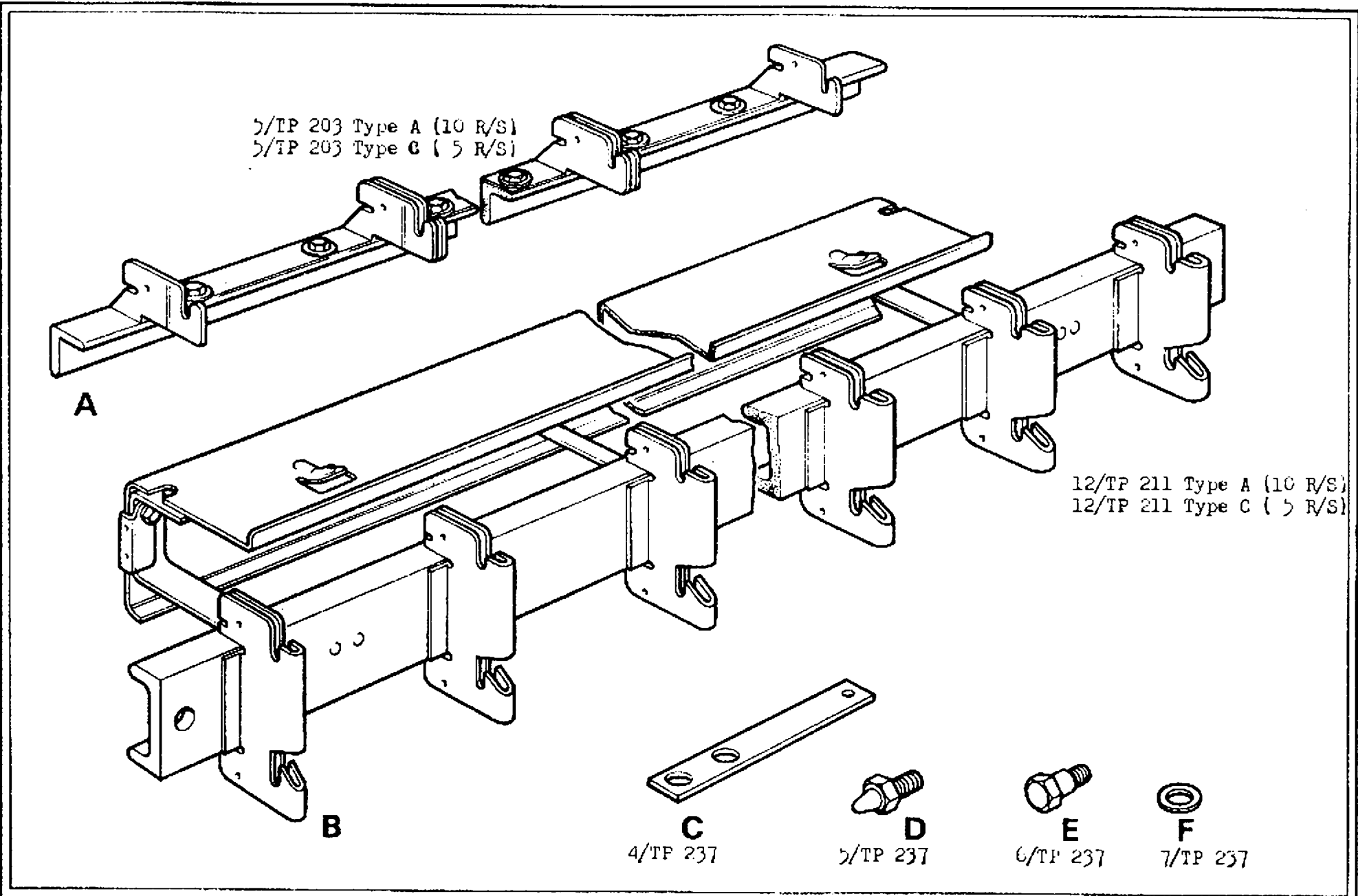
1/TP 8175

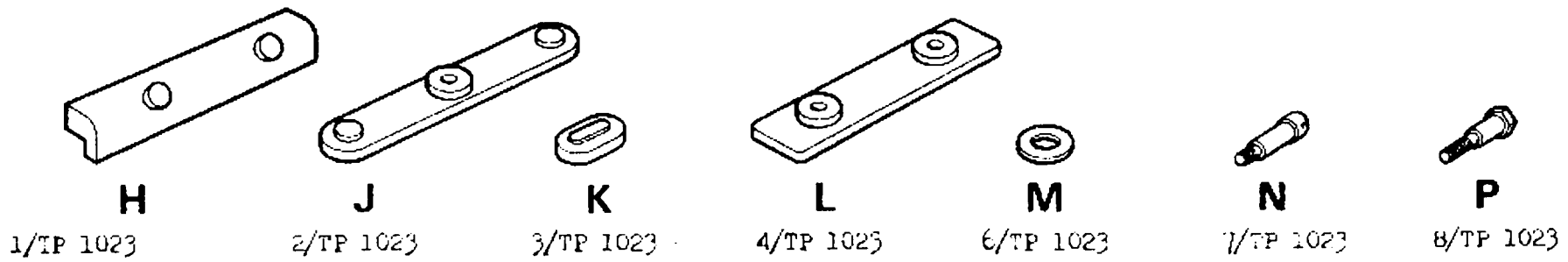
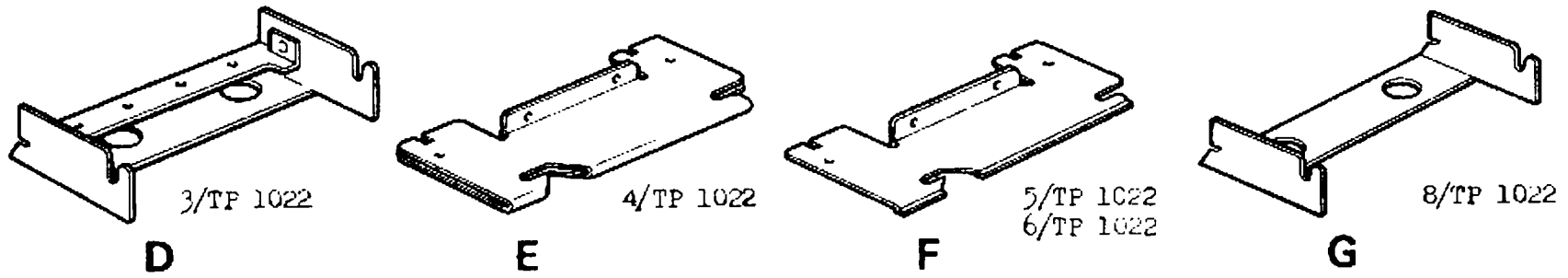
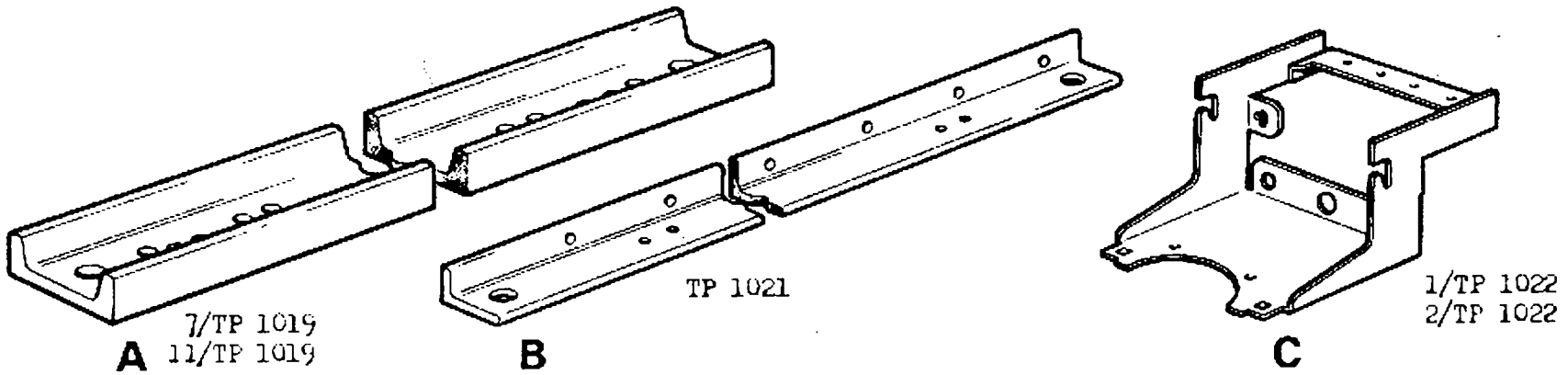


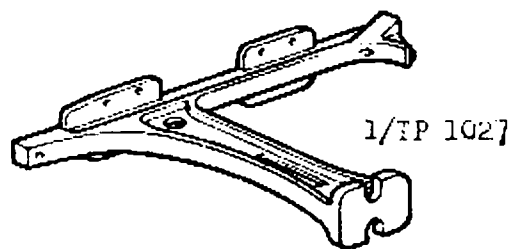
E

2/TP 8175

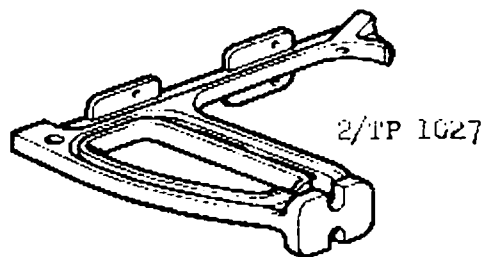
2 Motion Selector and Apparatus Racks



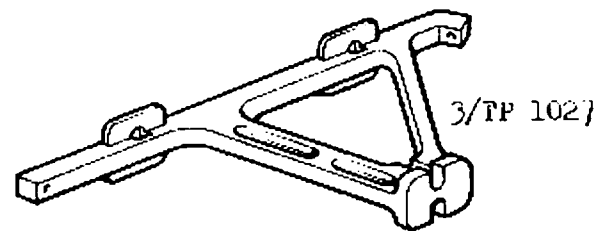




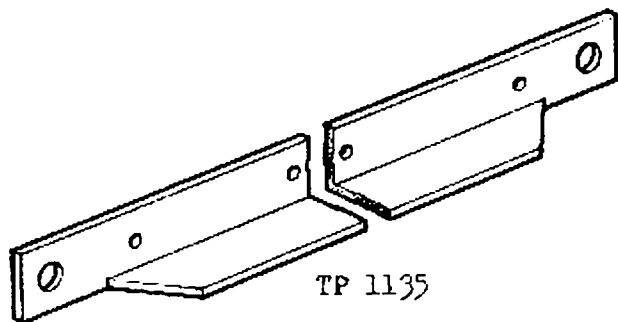
A



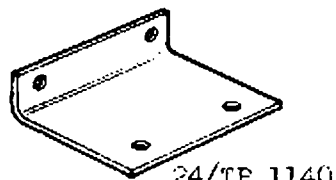
B



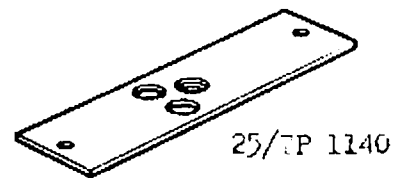
C



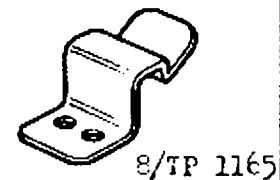
D



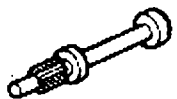
E



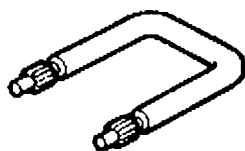
F



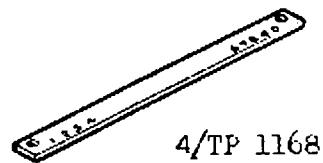
G



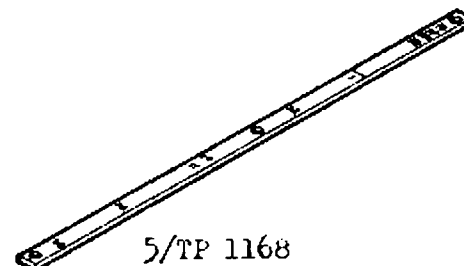
H



J



K



L

1/TP 1167

2/TP 1167

4/TP 1168

5/TP 1168

TP 1135

24/TP 1140

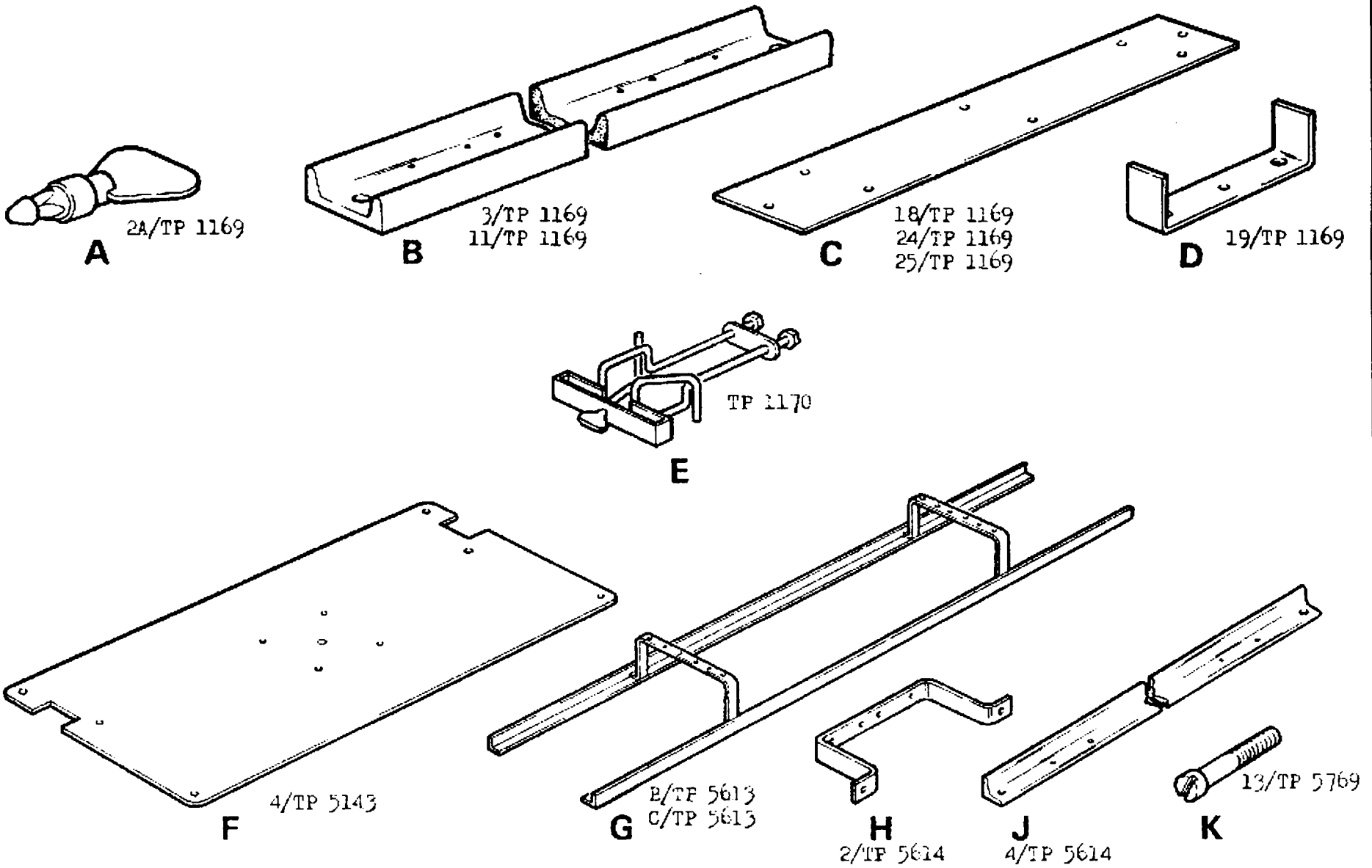
25/TP 1140

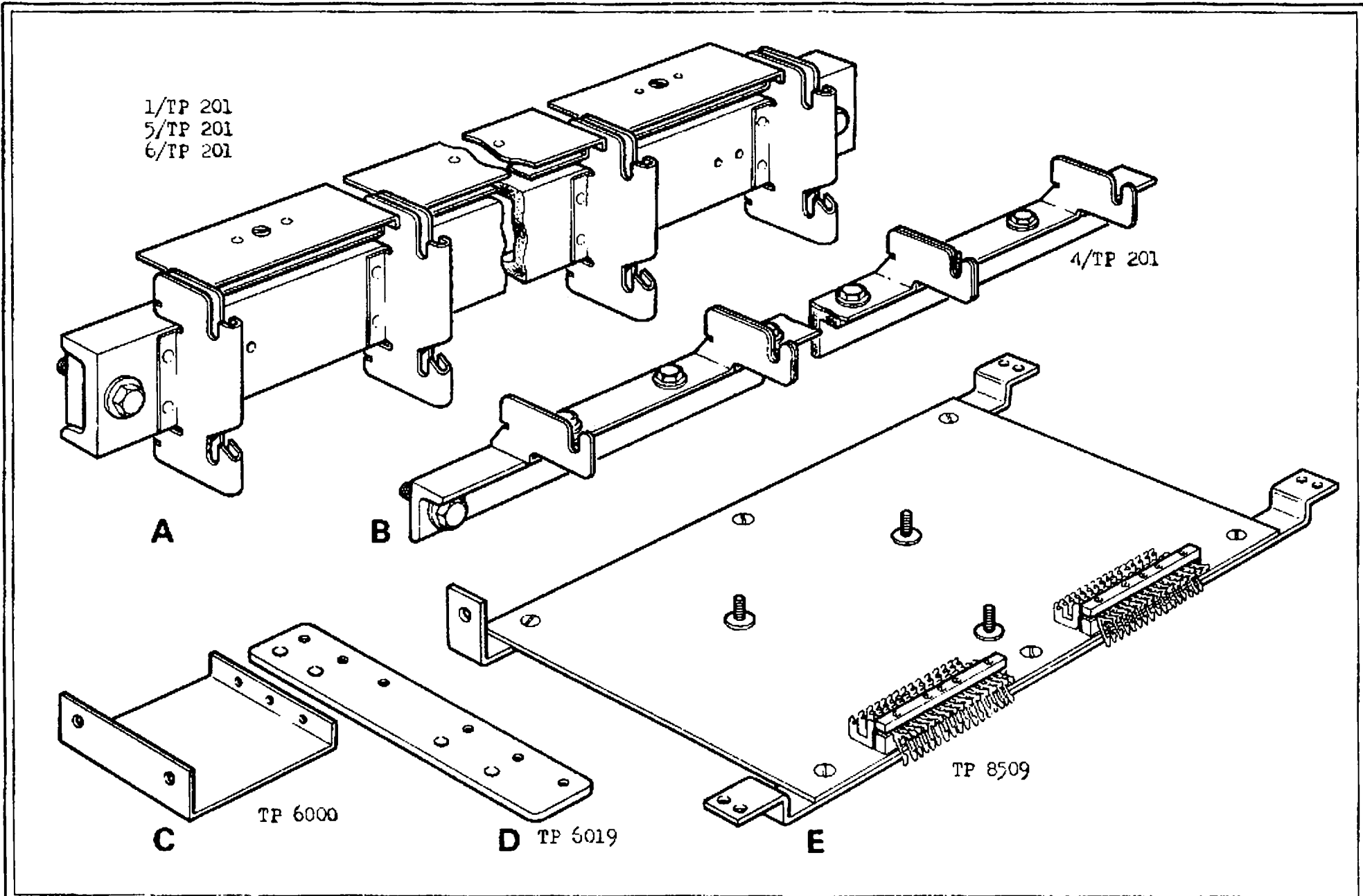
8/TP 1165

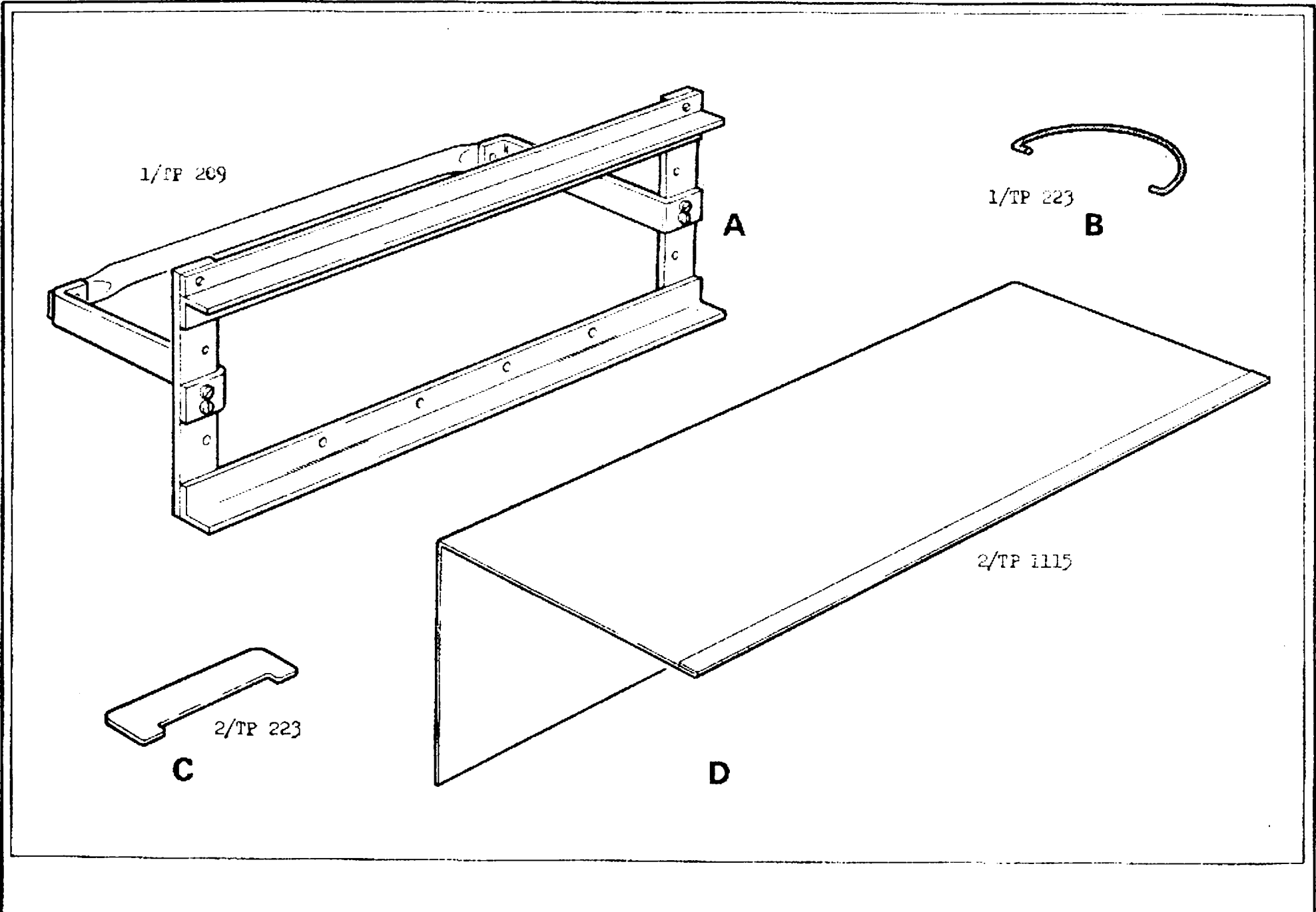
1/TP 1027

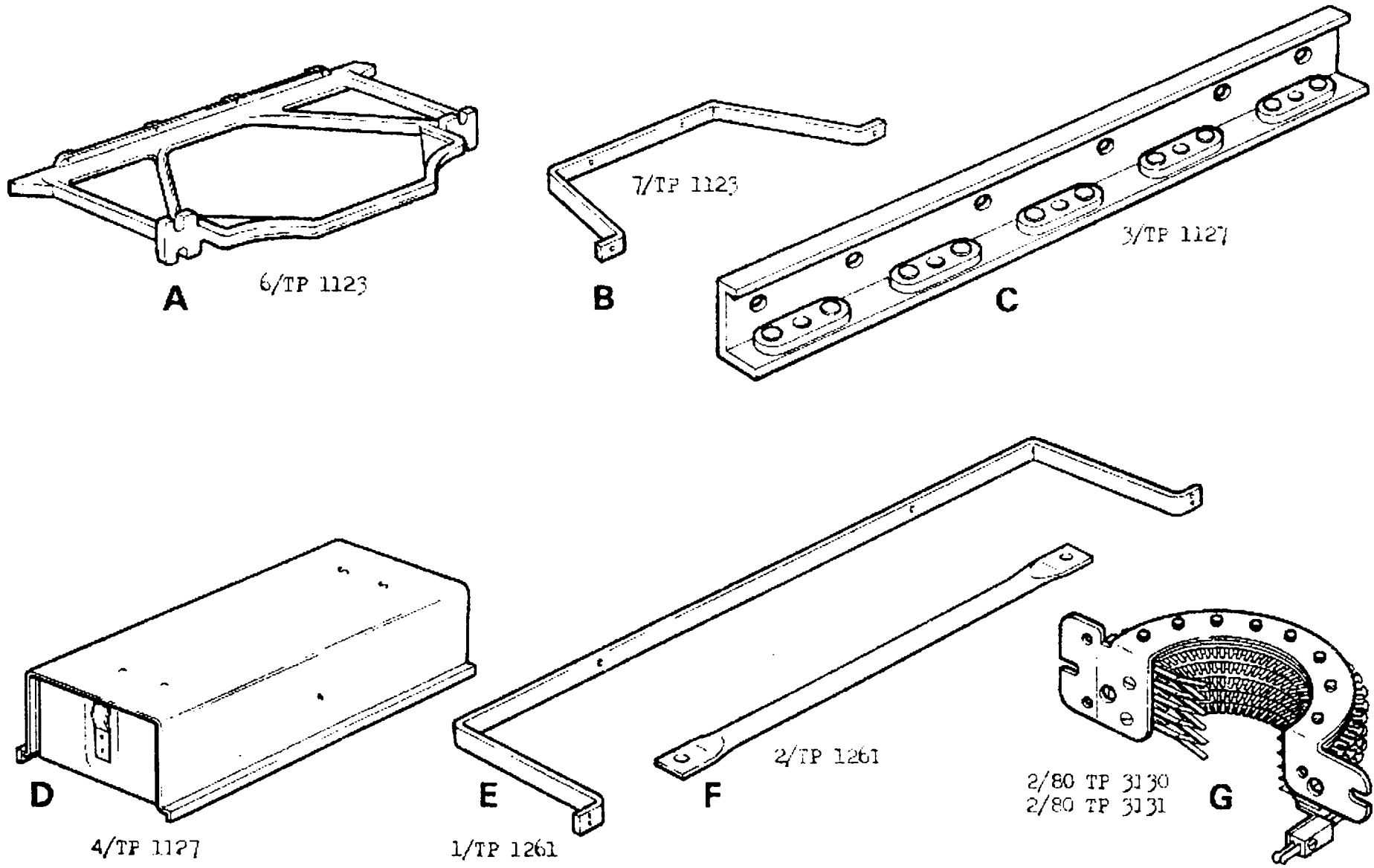
2/TP 1027

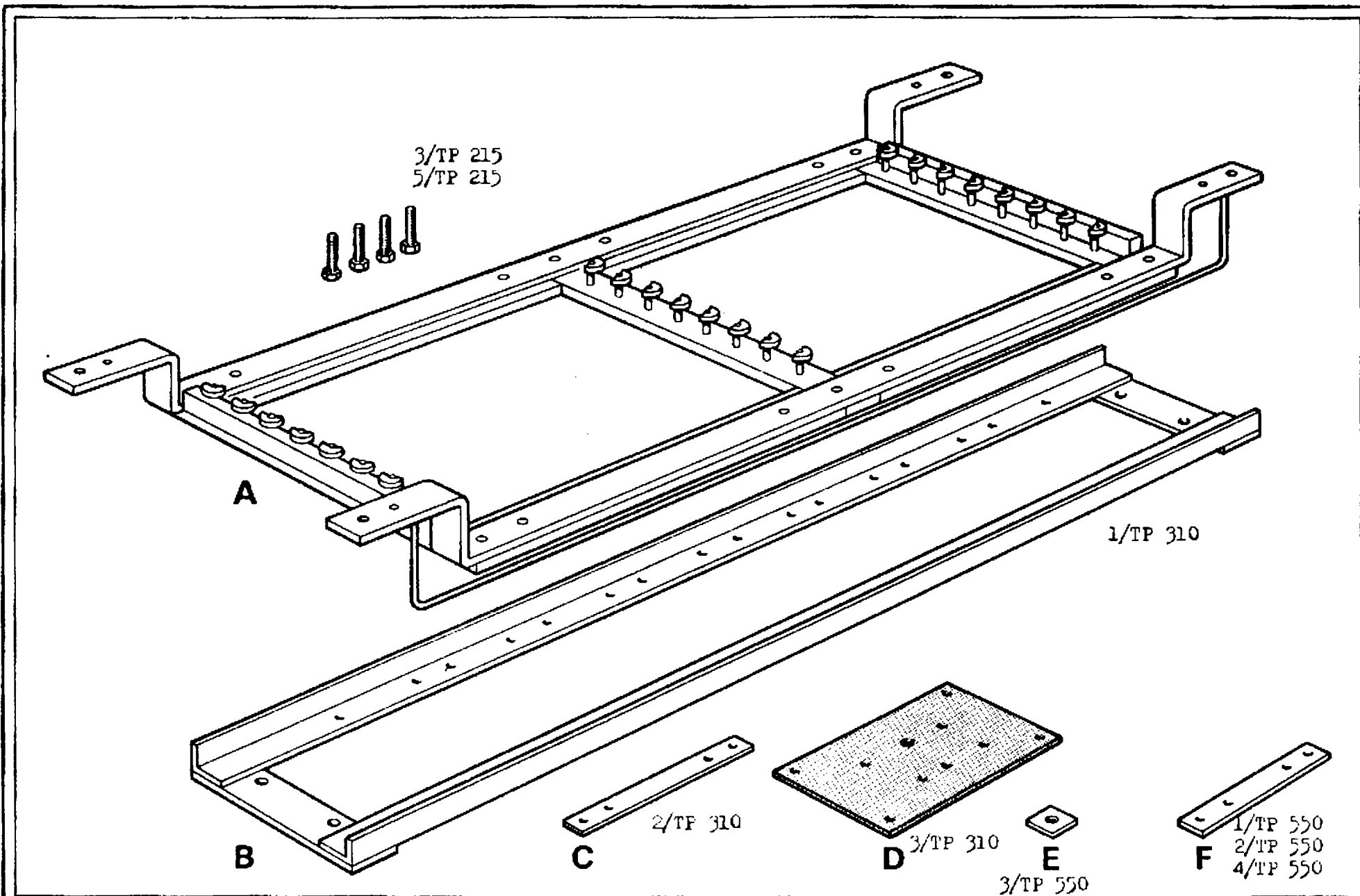
3/TP 1027

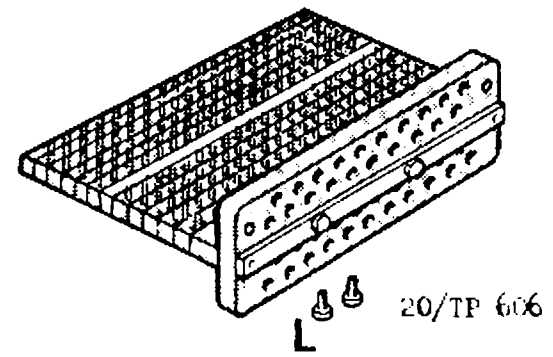
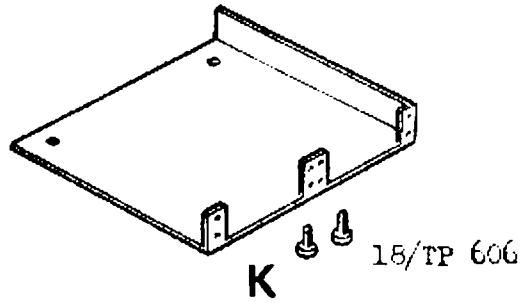
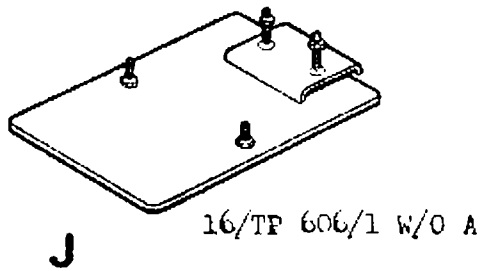
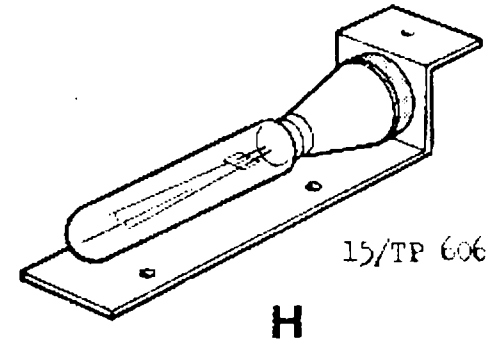
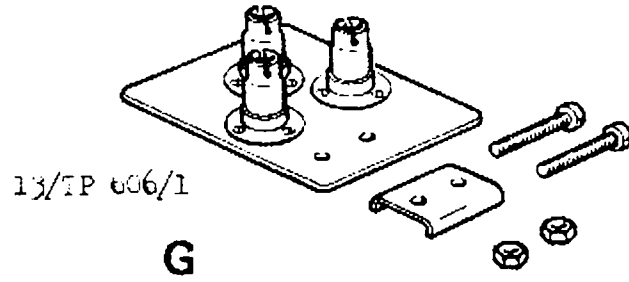
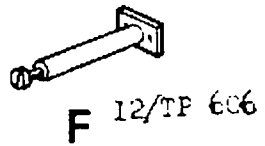
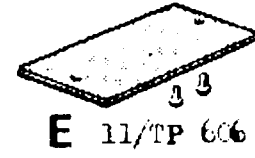
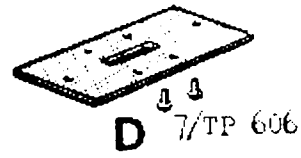
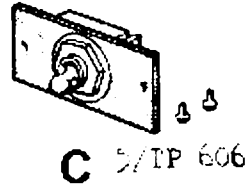
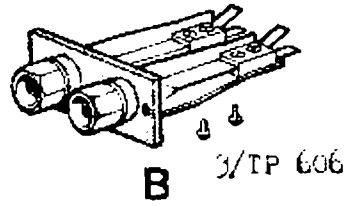
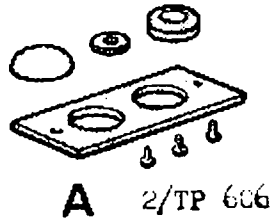


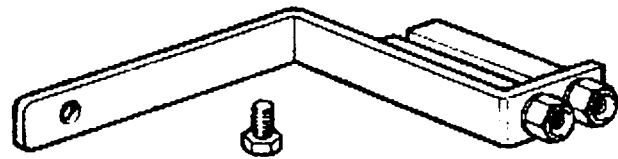




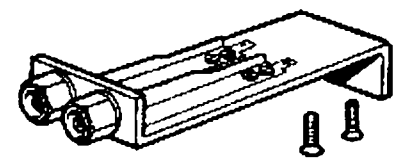




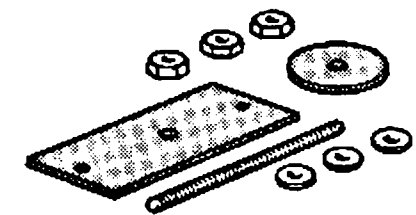




A 21/TP 606

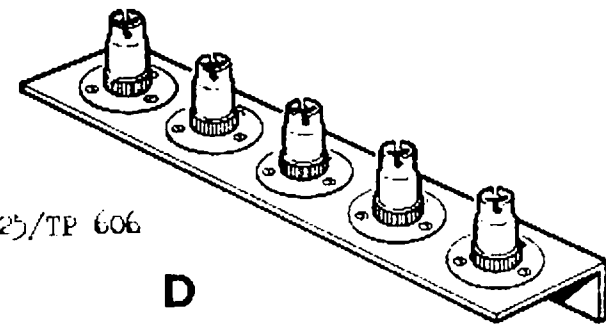


B 23/TP 606



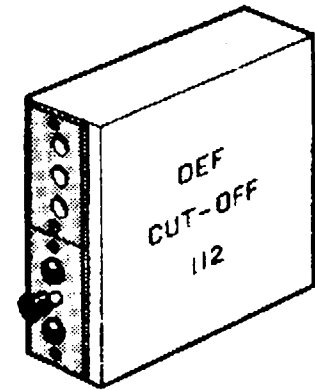
24/TP 606

C



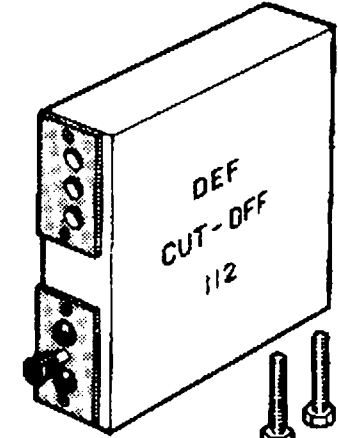
25/TP 606

D



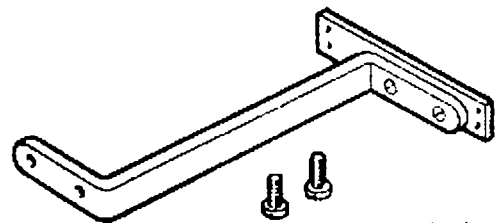
27/TP 606

E



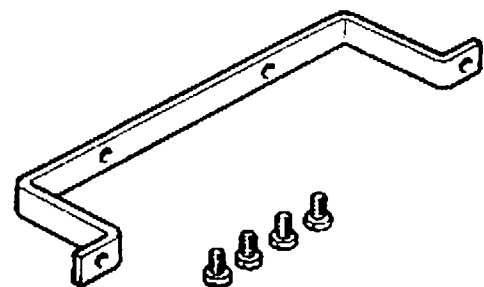
29/TP 606

F



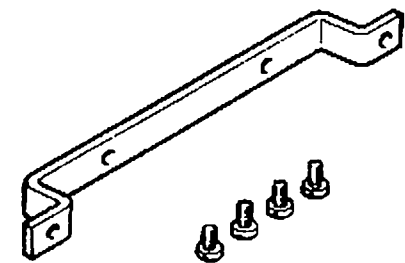
32A/TP 606

G



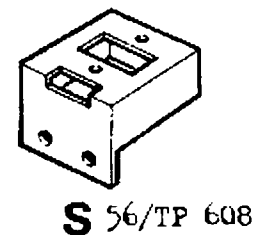
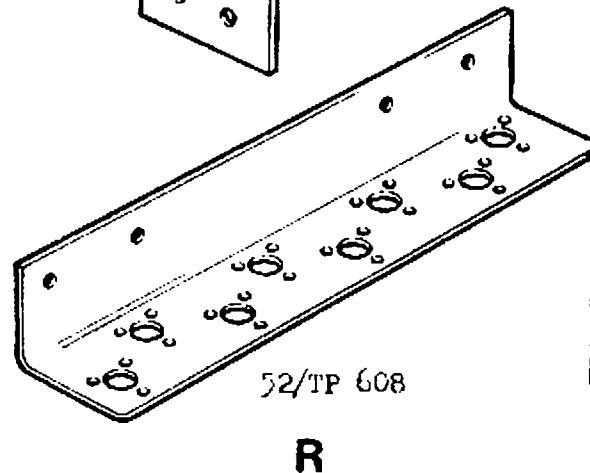
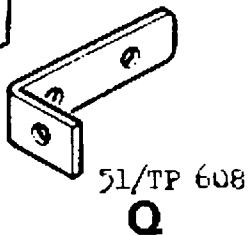
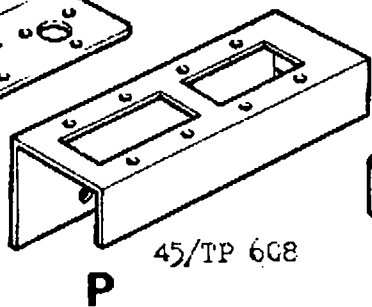
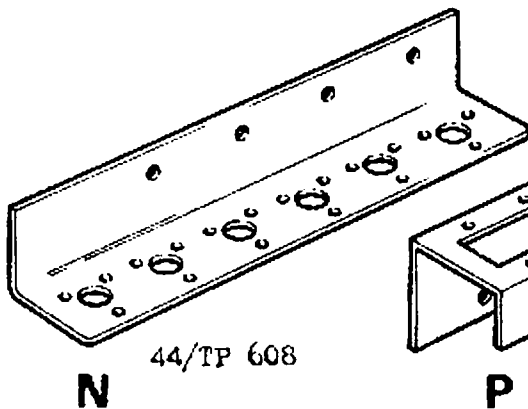
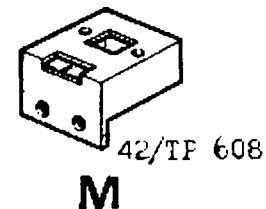
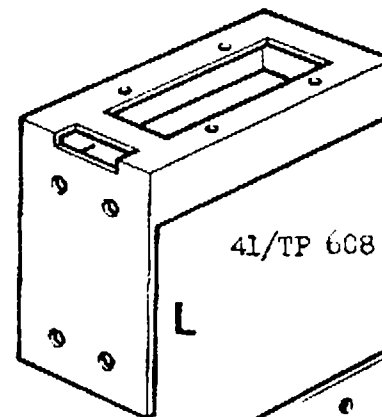
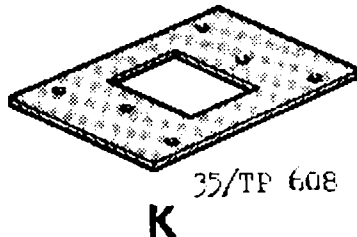
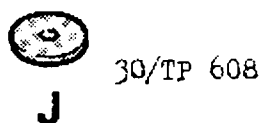
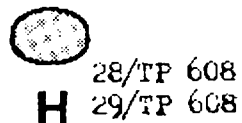
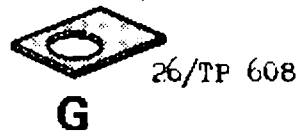
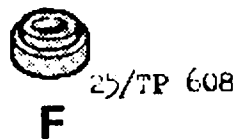
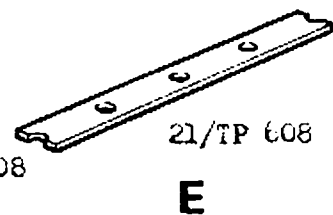
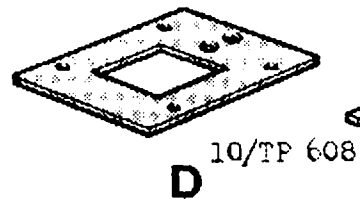
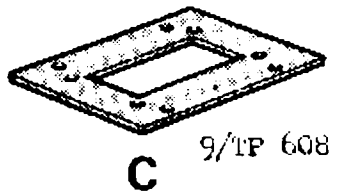
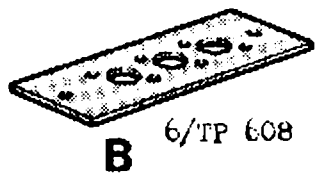
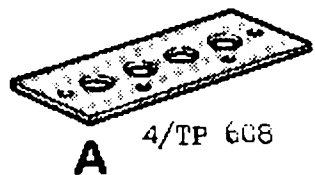
33A/TP 606

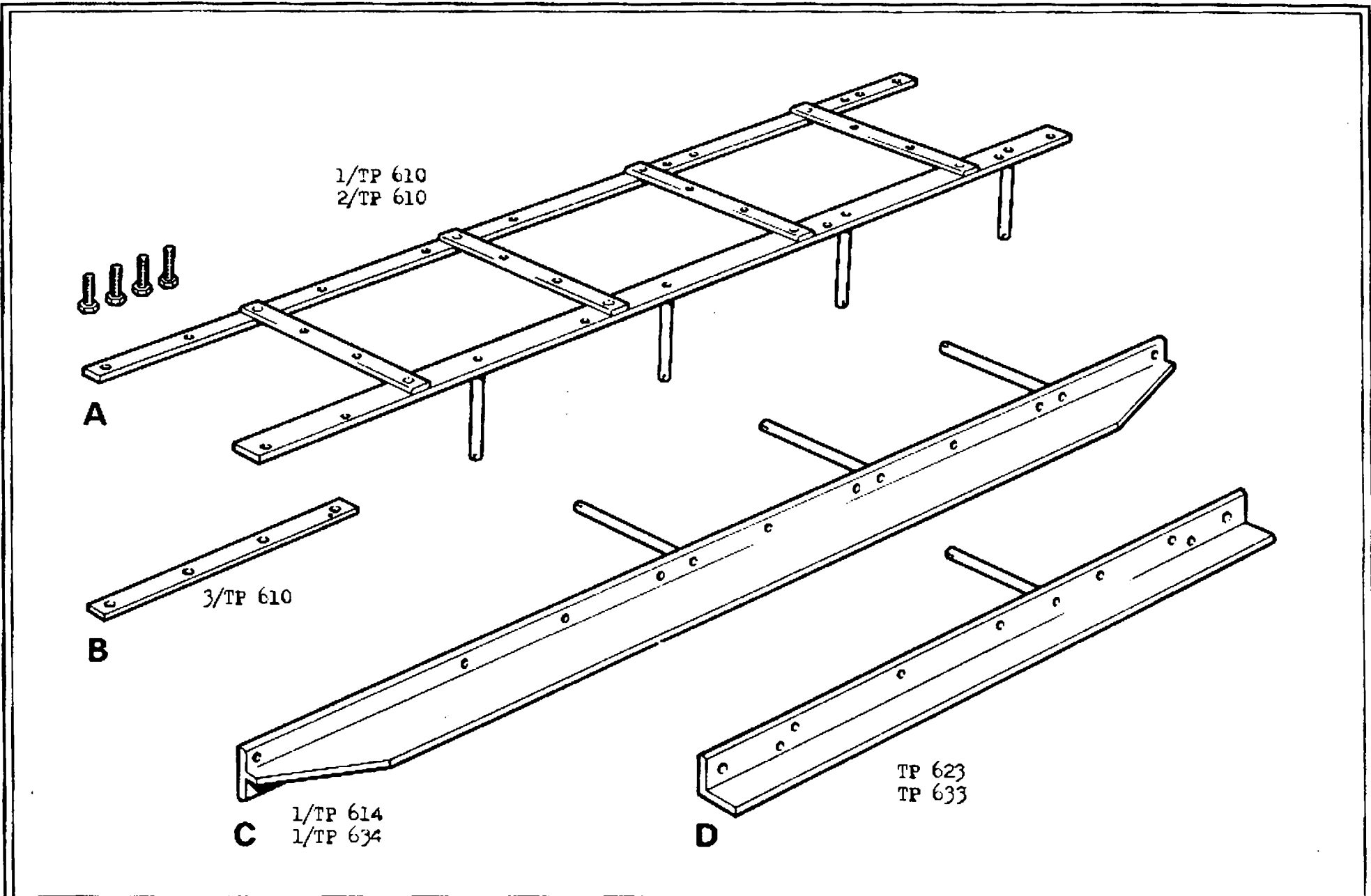
H



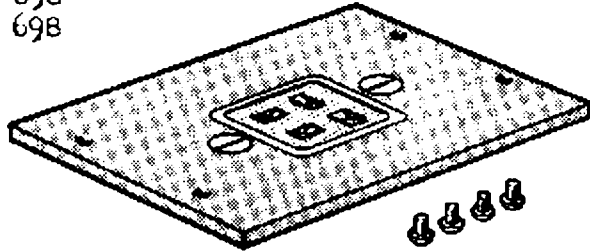
33B/TP 606

J



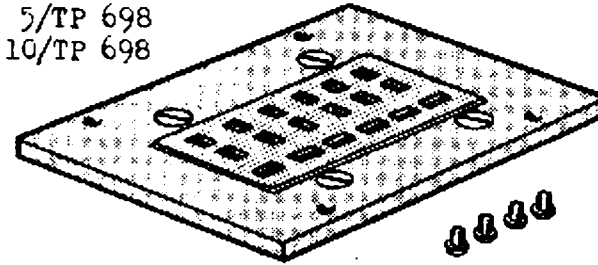


1/TP 698
2/TP 698
6/TP 698
7/TP 698



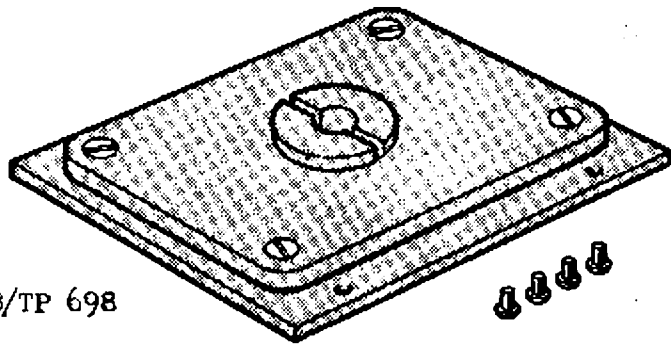
A

5/TP 698
10/TP 698

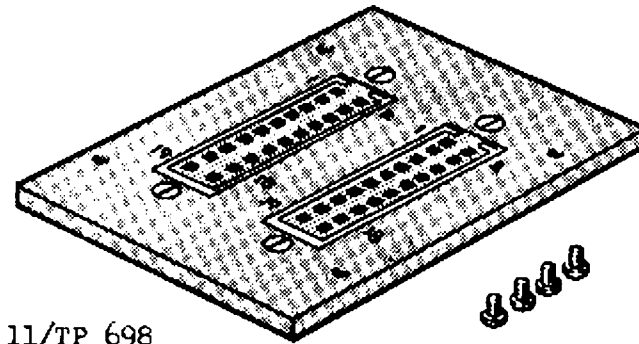


B

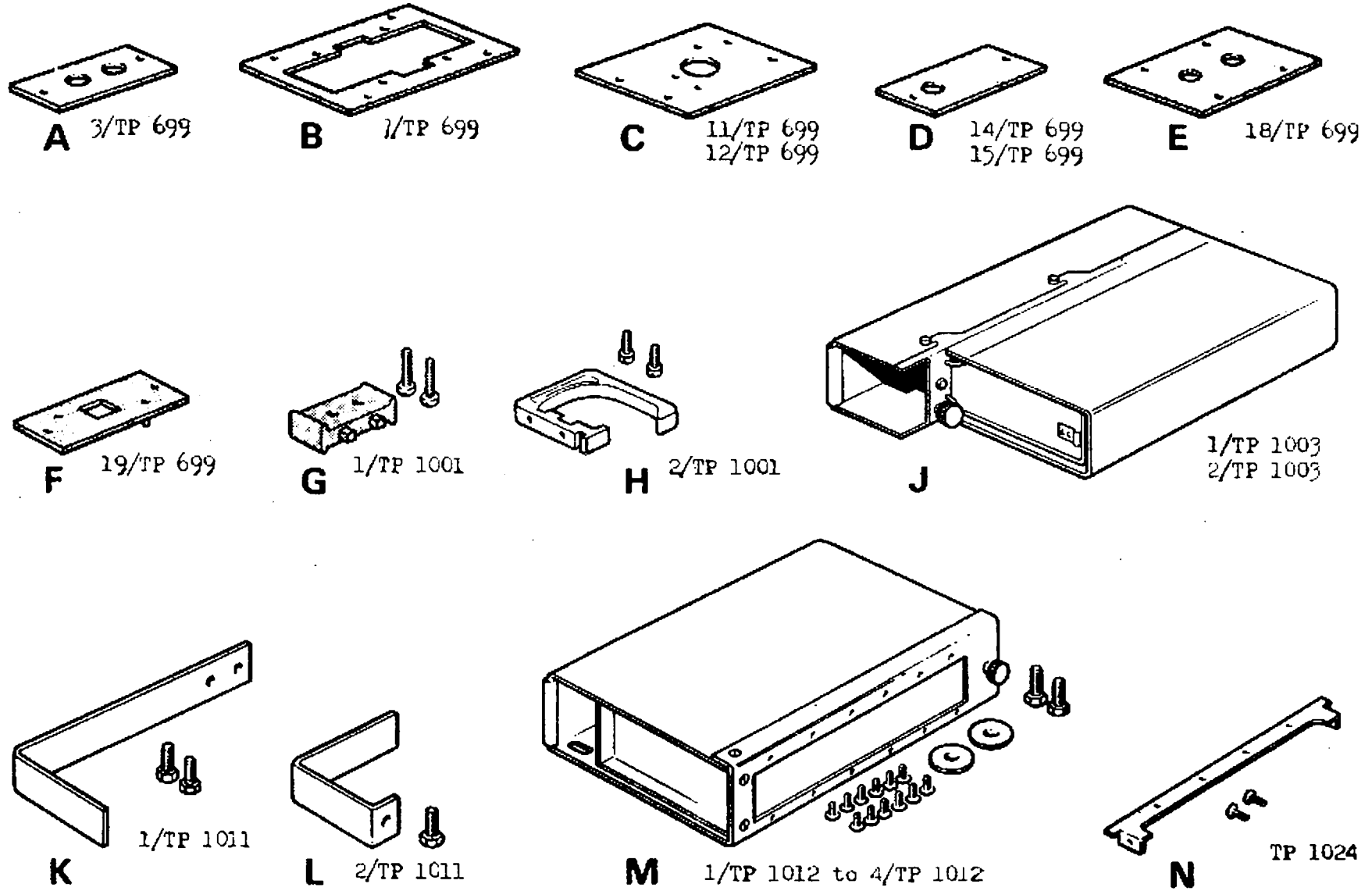
8/TP 698

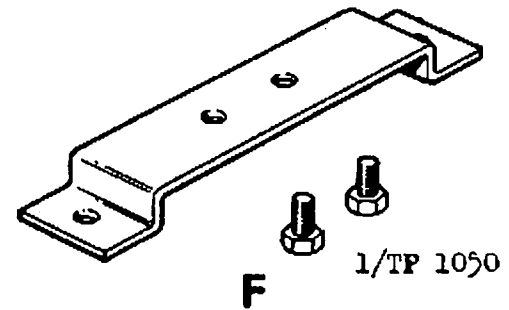
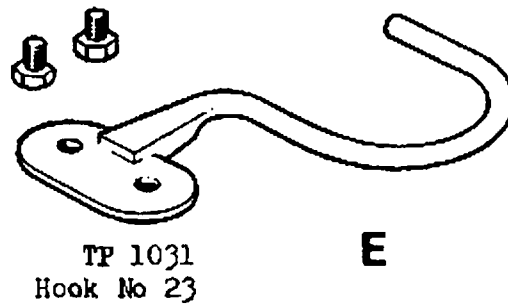
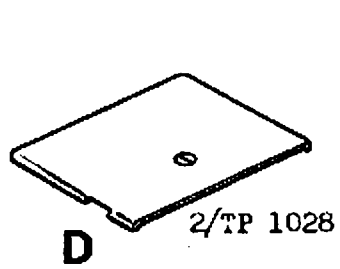
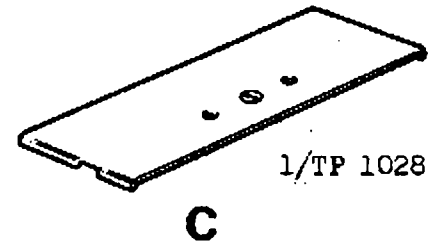
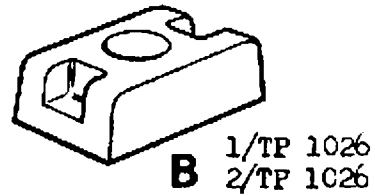
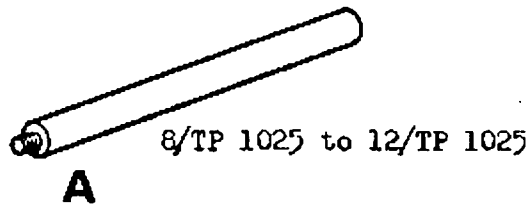


11/TP 698
12/TP 698
15/TP 698



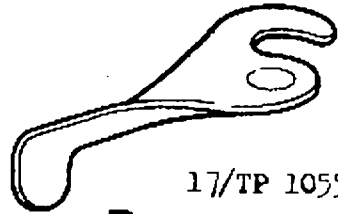
D



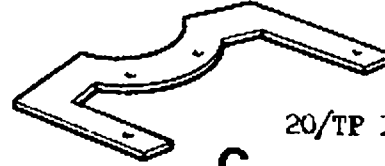




A 9/TP 1055



B 17/TP 1055



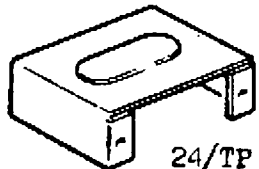
20/TP 1055

C



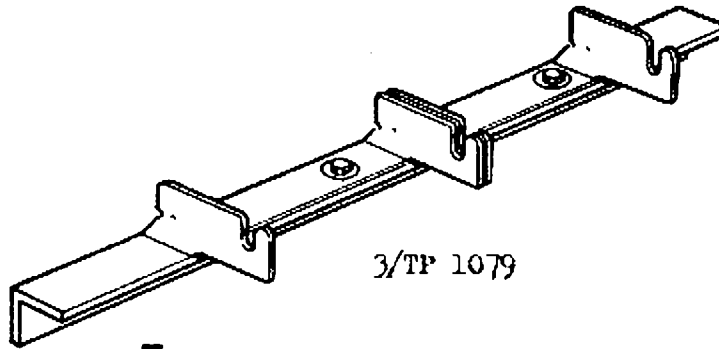
21/TP 1055

D



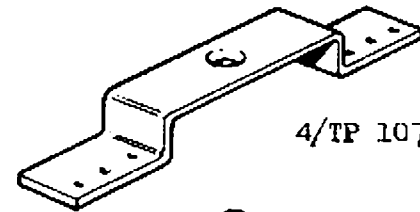
24/TP 1055

E



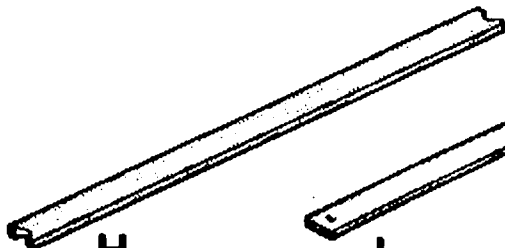
3/TP 1079

F



4/TP 1079

G



1/TP 1105
4/TP 1105

H



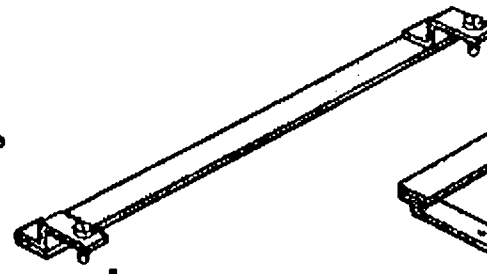
2/TP 1105
5/TP 1105

J



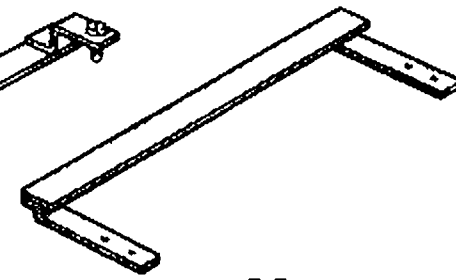
3/TP 1105

K



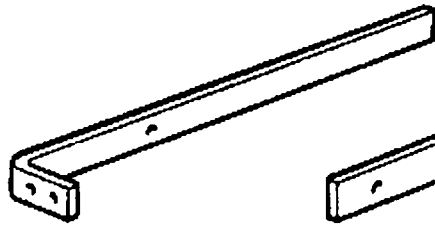
6/TP 1105

L

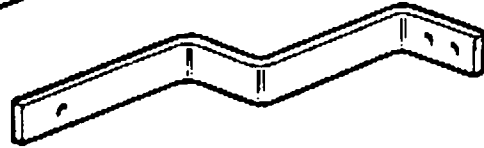


7/TP 1105

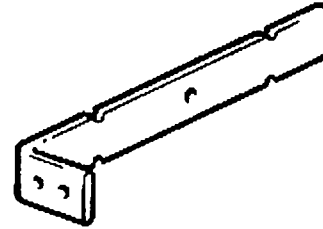
M



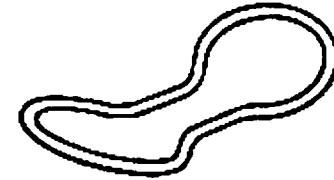
A
3/TP 1106
4/TP 1106



B
5/TP 1106



C
7/TP 1106
8/TP 1106



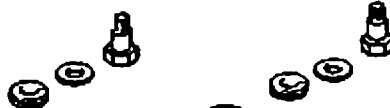
D
1/TP 1107



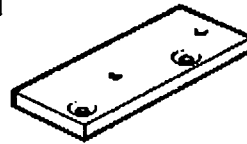
E
2/TP 1107



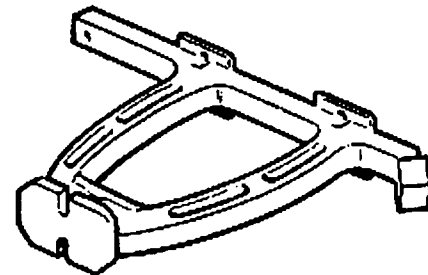
F
A/TP 1116



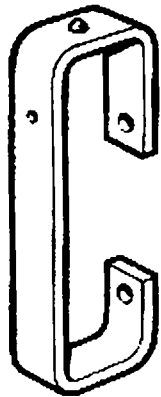
G
B/TP 1116



H
2/TP 1125

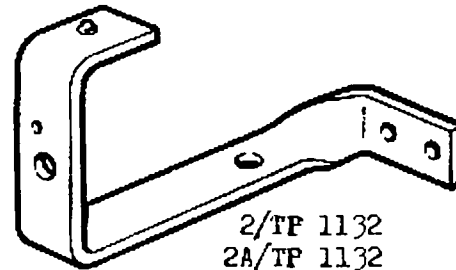


J
TP 1128



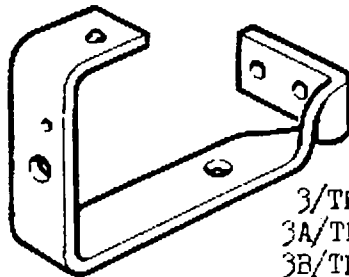
1/TP 1132
1A/TP 1132
1B/TP 1132

A



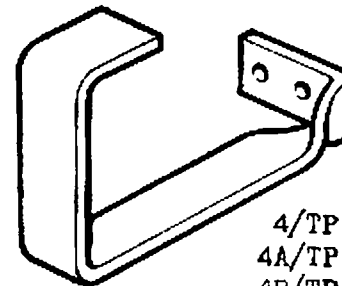
2/TP 1132
2A/TP 1132
2B/TP 1132

B



3/TP 1132
3A/TP 1132
3B/TP 1132

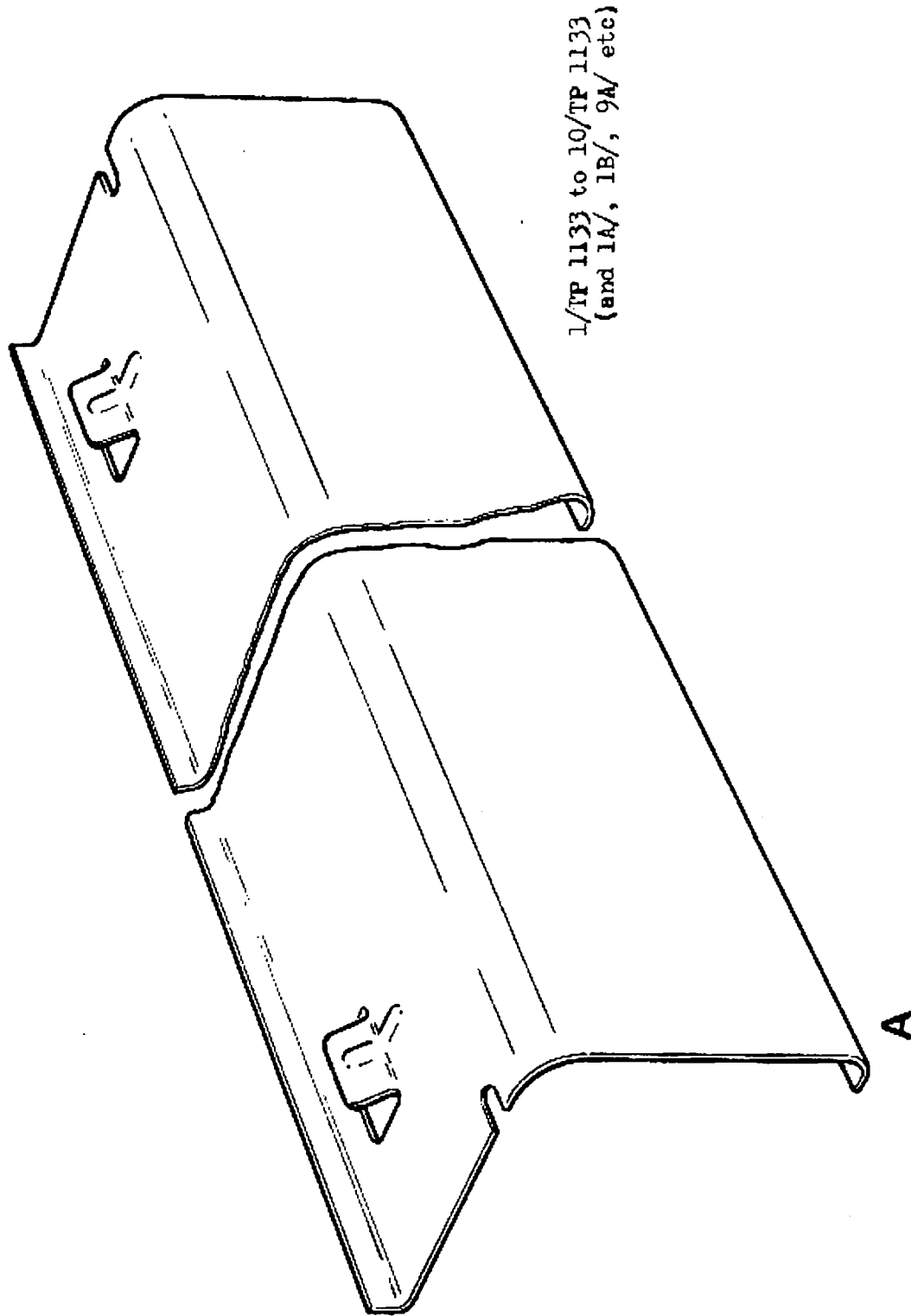
C



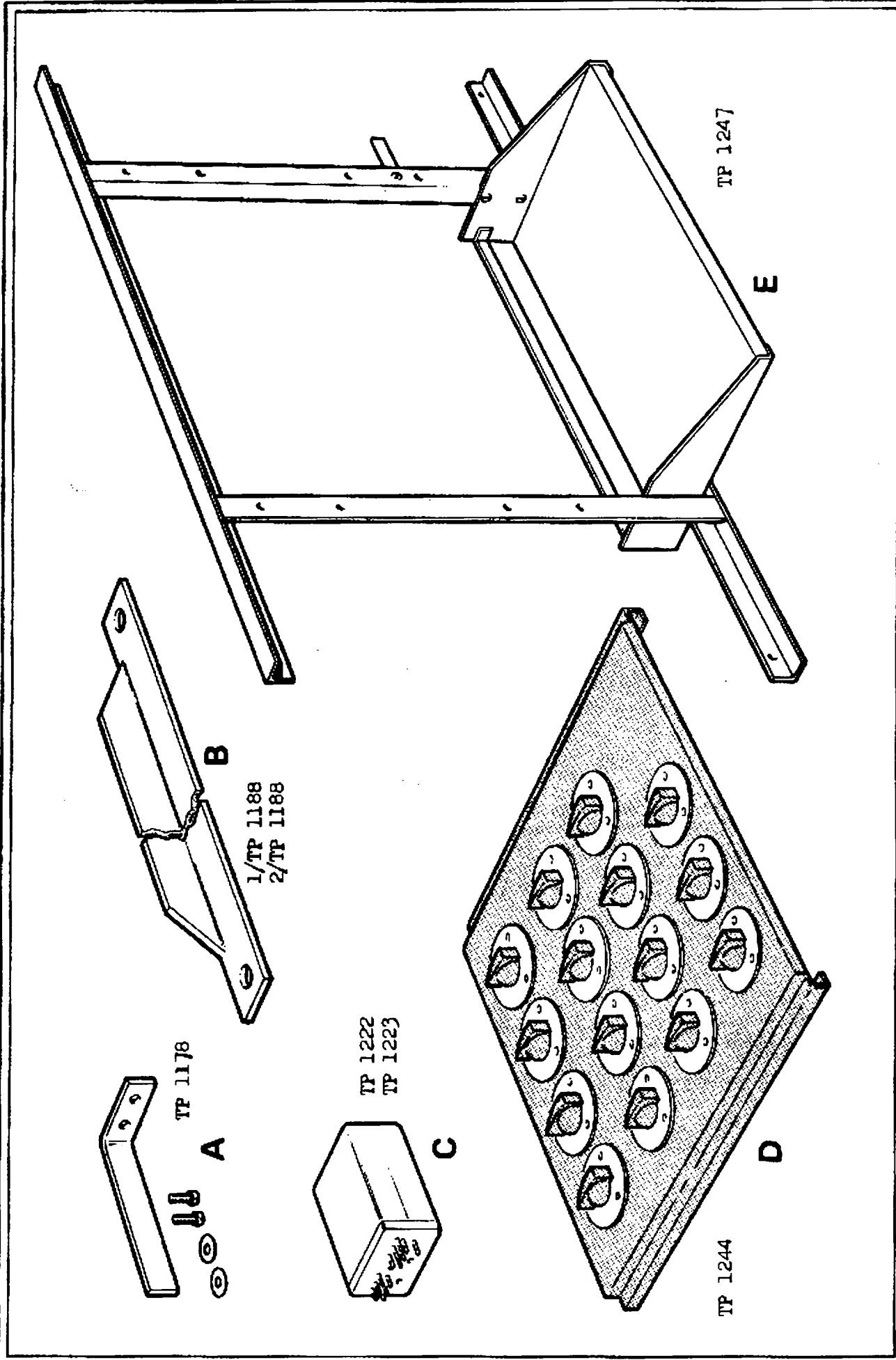
4/TP 1132
4A/TP 1132
4B/TP 1132

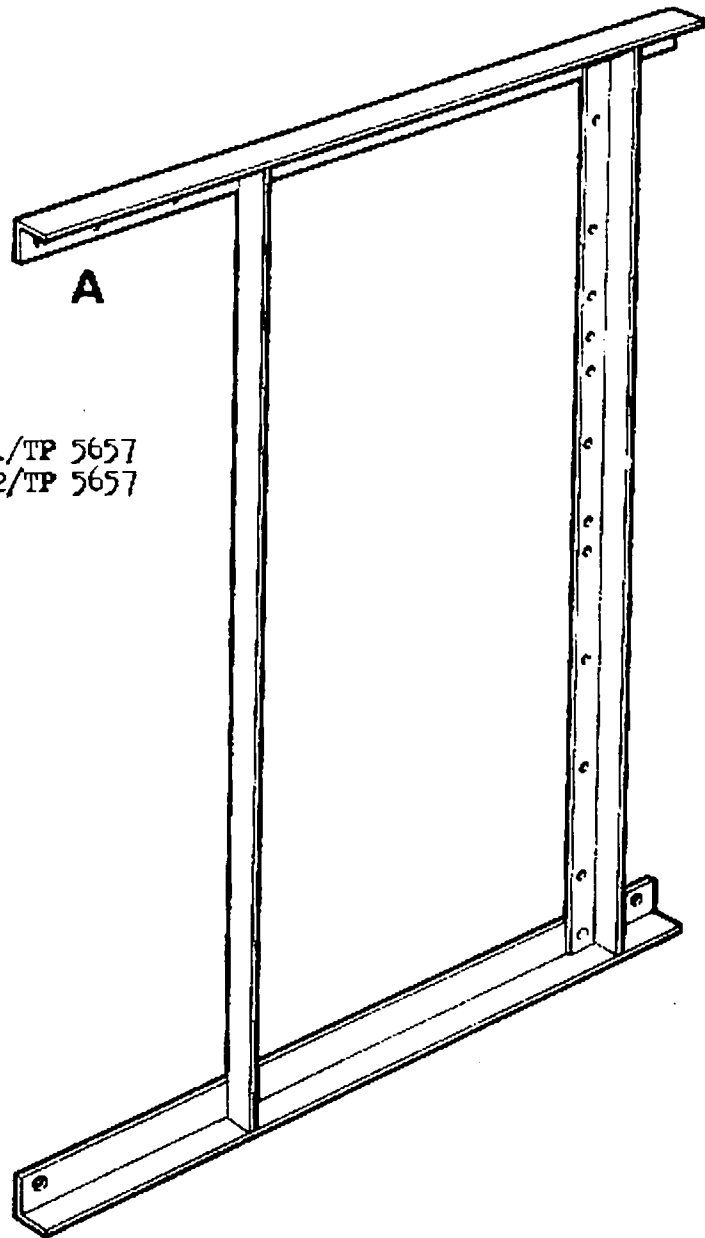
D

Common Parts



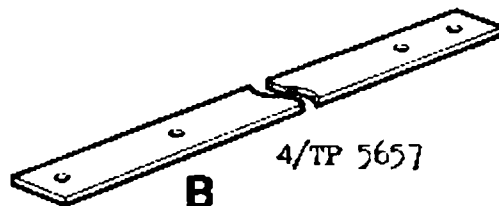
ESOG Issue 18/76 E 211 Page 32 refers





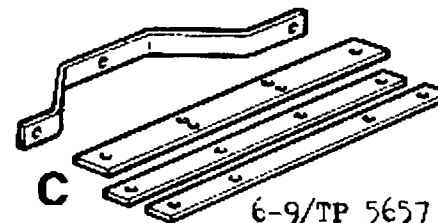
A

1/TP 5657
2/TP 5657



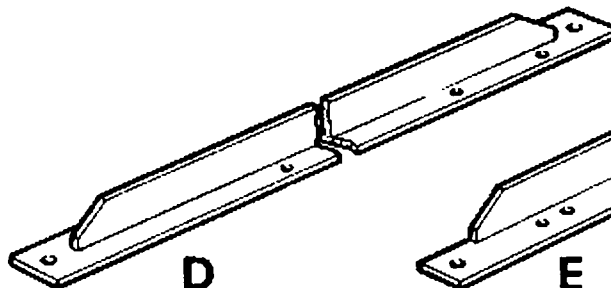
B

4/TP 5657



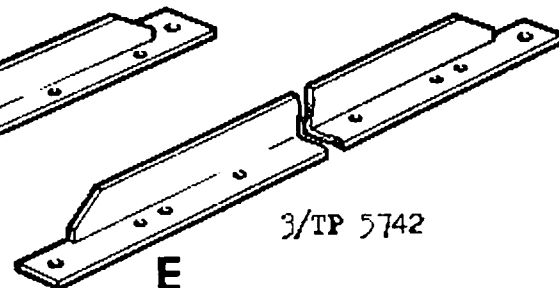
C

6-9/TP 5657 (Set)



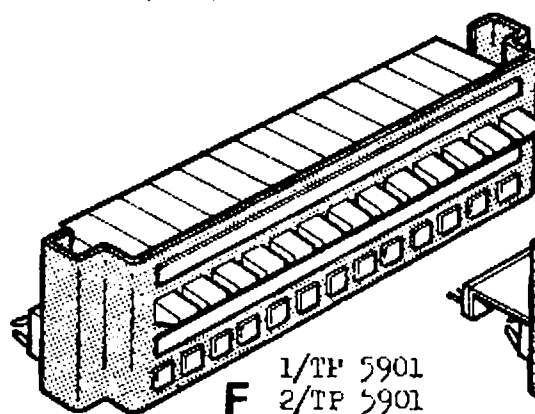
D

1/TP 5742
2/TP 5742



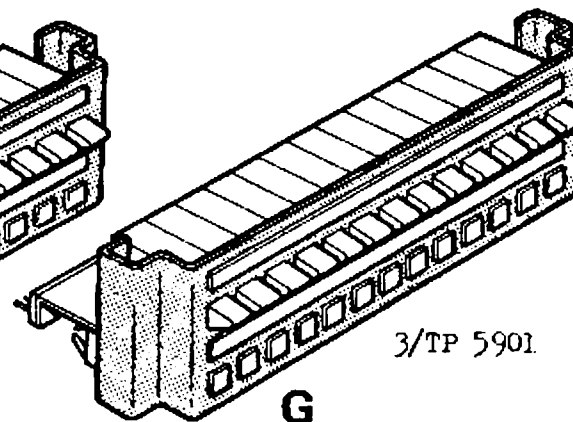
E

3/TP 5742



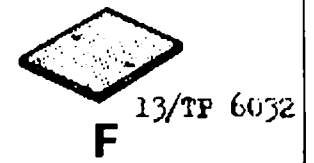
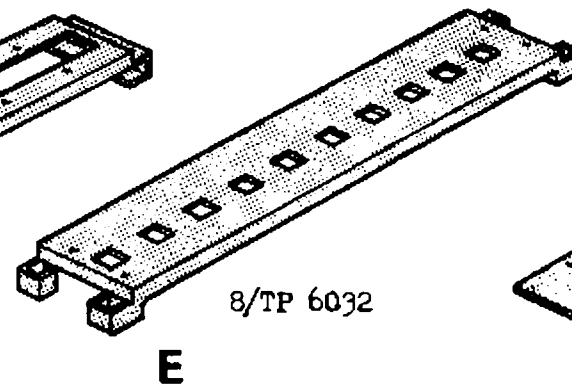
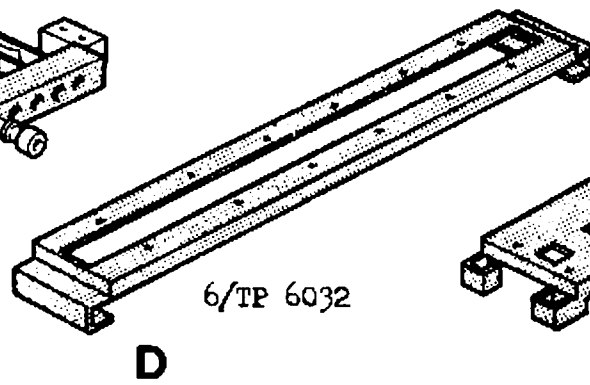
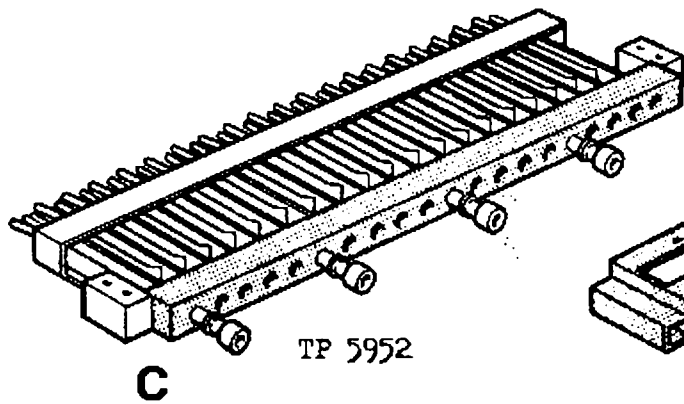
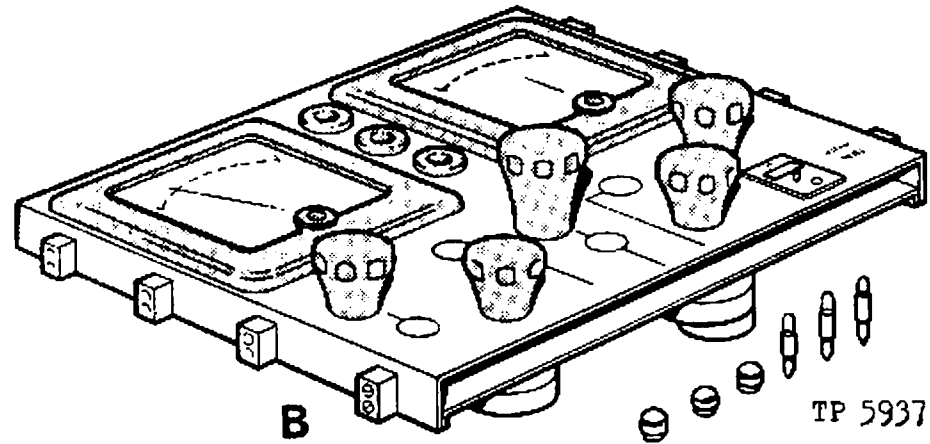
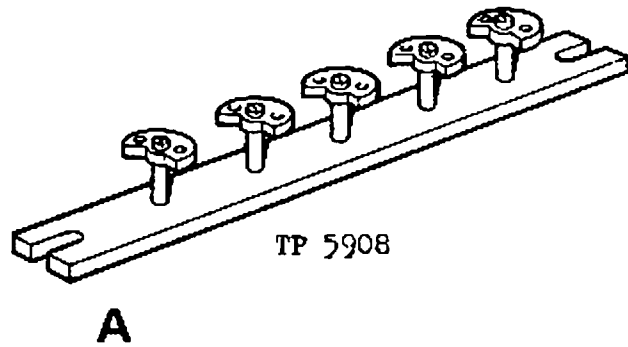
F

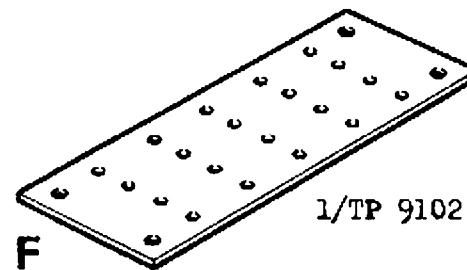
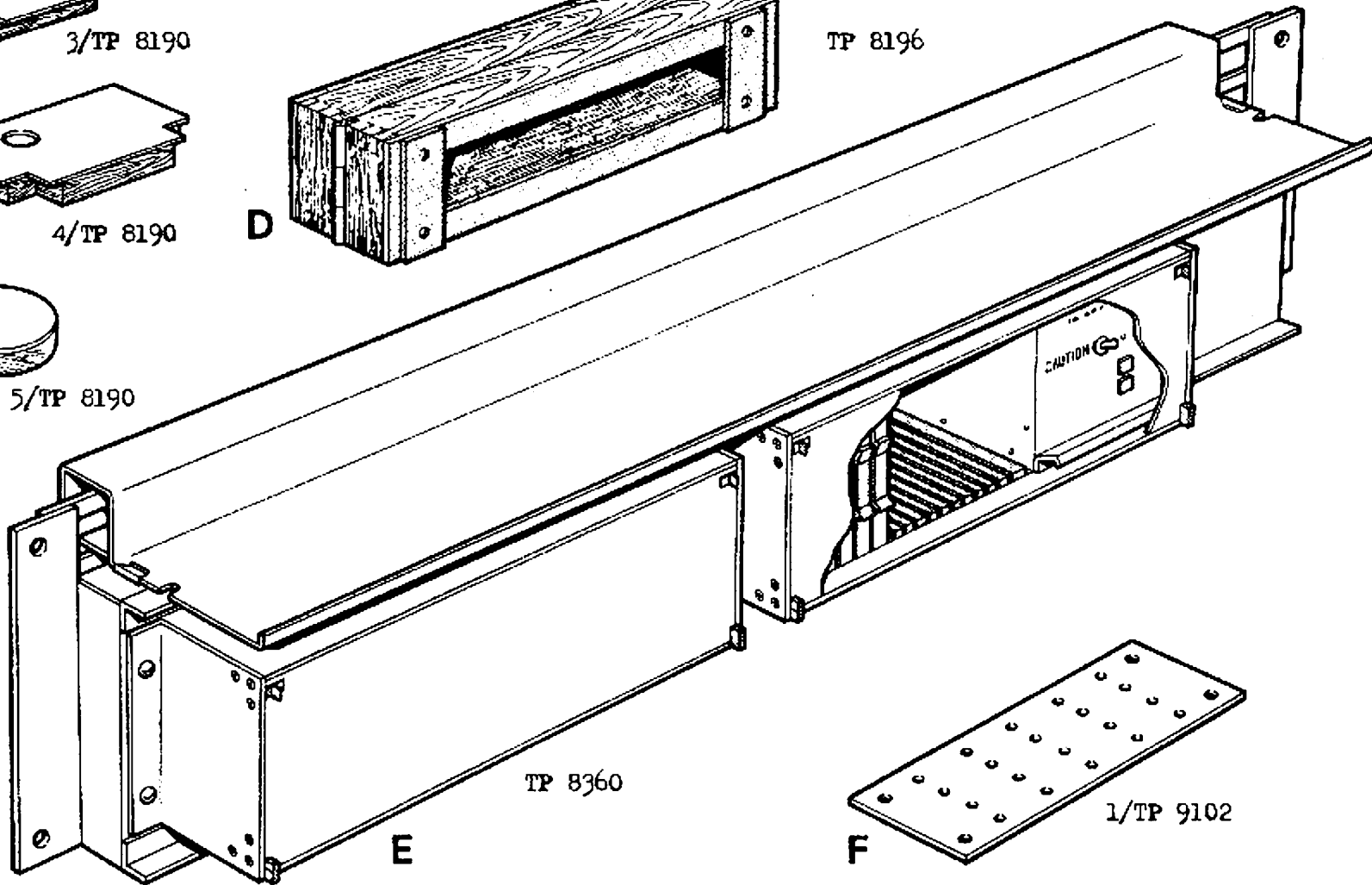
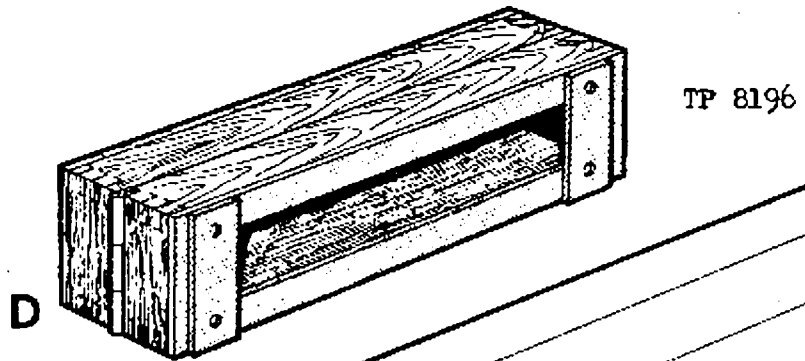
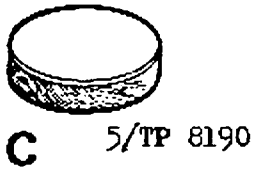
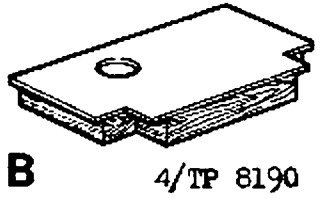
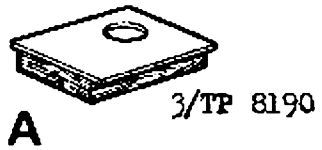
1/TP 5901
2/TP 5901



G

3/TP 5901





CAUTION