

P L A N E X T E N S I O N S .

These diagrams are based on the use of combined set (one-piece) telephones, incorporating press-buttons where necessary.

Where older types of telephones are in use, separate press-buttons, keys, switches, bells etc. are fitted to provide similar facilities.

For further particulars (including charges, permissible combinations of plan extensions and provision of plan extensions on private branch exchange extensions) see:-

Telephone Service Instructions B1 34 - 38 and 40
Engineering Instructions - Telephones Stations A - D

Plan 1. This consists of a main telephone instrument and one to six internal extensions in parallel.

Facilities:

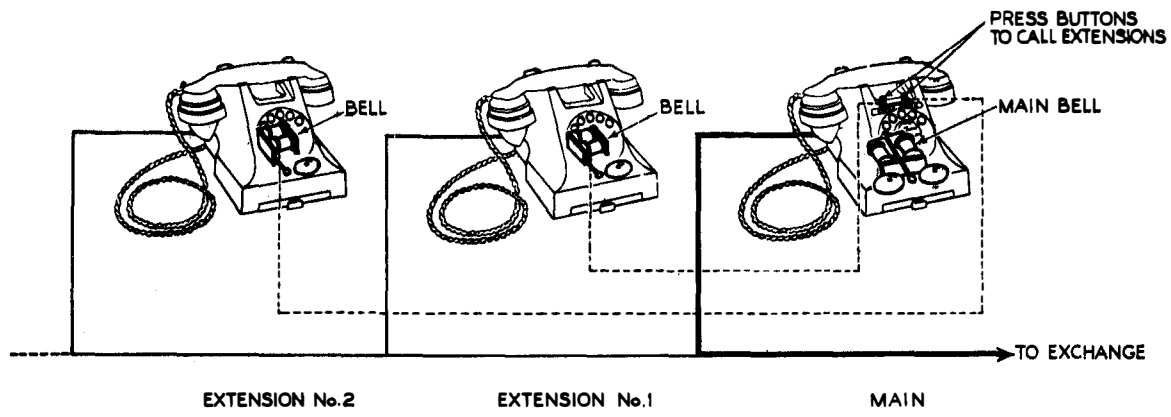
Incoming calls are received at the main telephone.

The main telephone can call any extension by pressing a button.

All telephones call exchange direct.

No secrecy or intercommunication between main and extension telephones is provided.

EXTENSION PLAN 1



Plan 1A. This consists of a main telephone and one internal extension in parallel. Two extensions may be provided if table telephones are fitted.

Facilities:

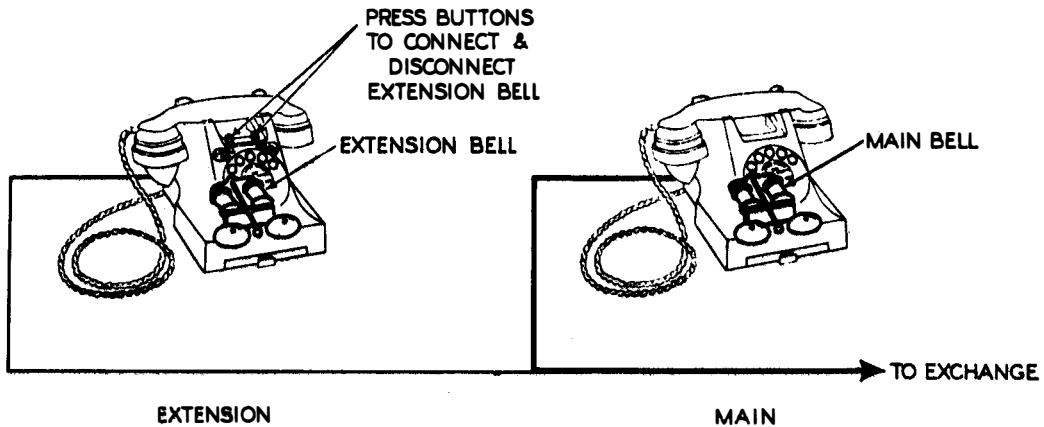
Incoming calls are normally received at the main telephone but may, if desired, be received at the extension also.

No means of calling extension from main telephone or vice-versa.

Main and extension telephones call exchange direct.

No secrecy or intercommunication between main and extension telephones is provided.

EXTENSION PLAN 1A



Plan 1B. This consists of a main telephone and one to six internal extensions in parallel. The plan is suitable only where the main bell can be heard at all extensions.

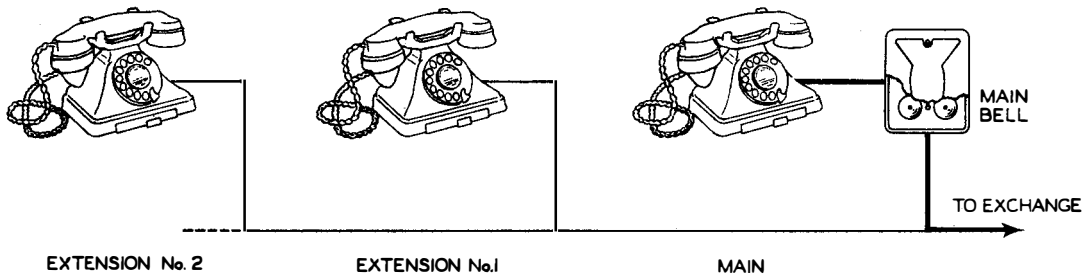
Facilities:

Incoming calls ring the bell associated with the main telephone and they can be answered at main or extension.

No means of calling extension from main telephone are provided.

Main and extension telephones can call exchange direct. No secrecy or intercommunication between main and extension telephones is provided.

EXTENSION PLAN 1B



Plan 3. This consists of a main telephone and one internal extension (with secrecy). Two telephones, wall or table, normally in parallel, are connected to one exchange line with a secrecy press-button at the extension telephone.

Facilities:

Incoming calls are normally received at the main telephone but may, if desired, be received at the extension. Extension bell is connected when 'secrecy' press-button is operated.

A press-button enables the user of the main telephone to call the extension.

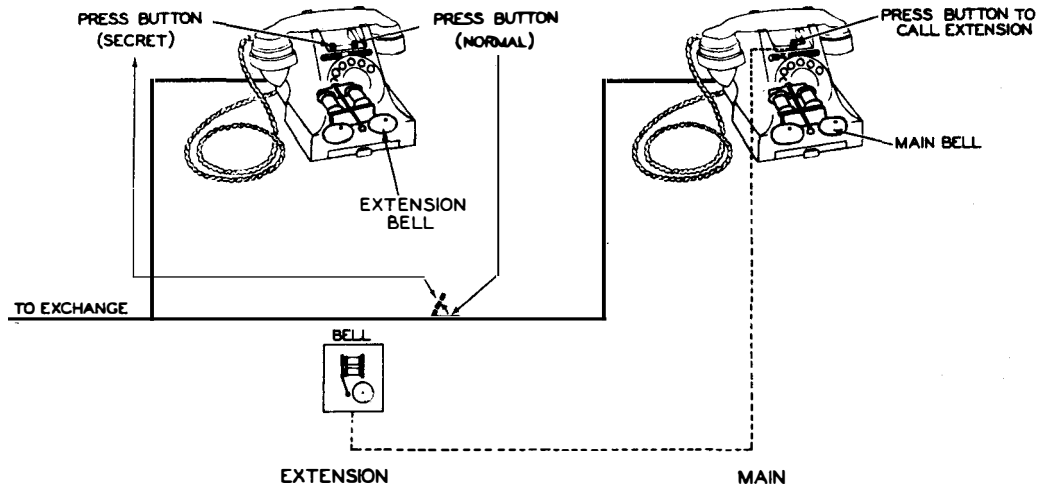
Main or extension telephones can call exchange direct provided that the extension press-button is in the normal position.

No intercommunication between main and extension telephones is provided.

The extension can cut out the main telephone if desired, by means of the 'secrecy' press-button.

Can be fitted with self restoring key.

EXTENSION PLAN 3

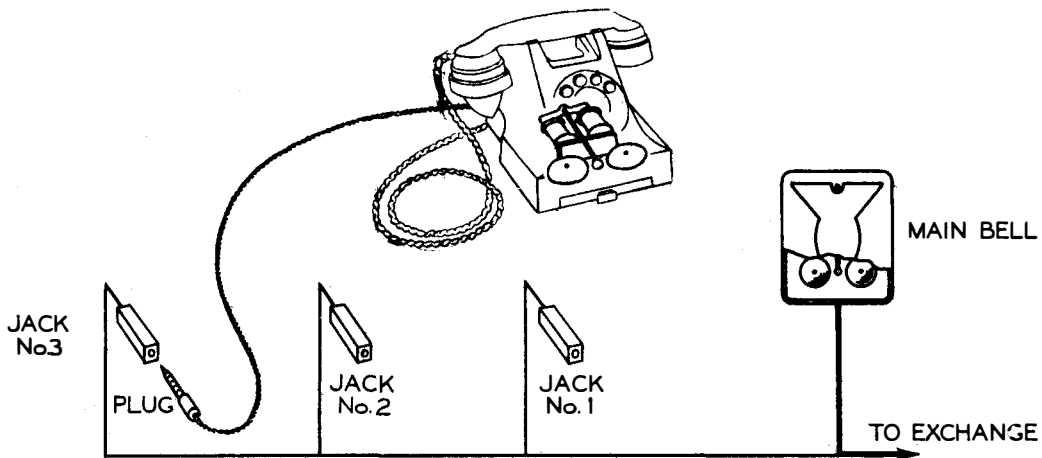


Plan 4 (internal only). This consists of one exchange line with jacks (sockets) in parallel and portable telephone(s), all within the one building. A number of telephone instruments may be supplied; a plug is provided at the end of the cord on each instrument so that it may be moved from jack to jack as required.

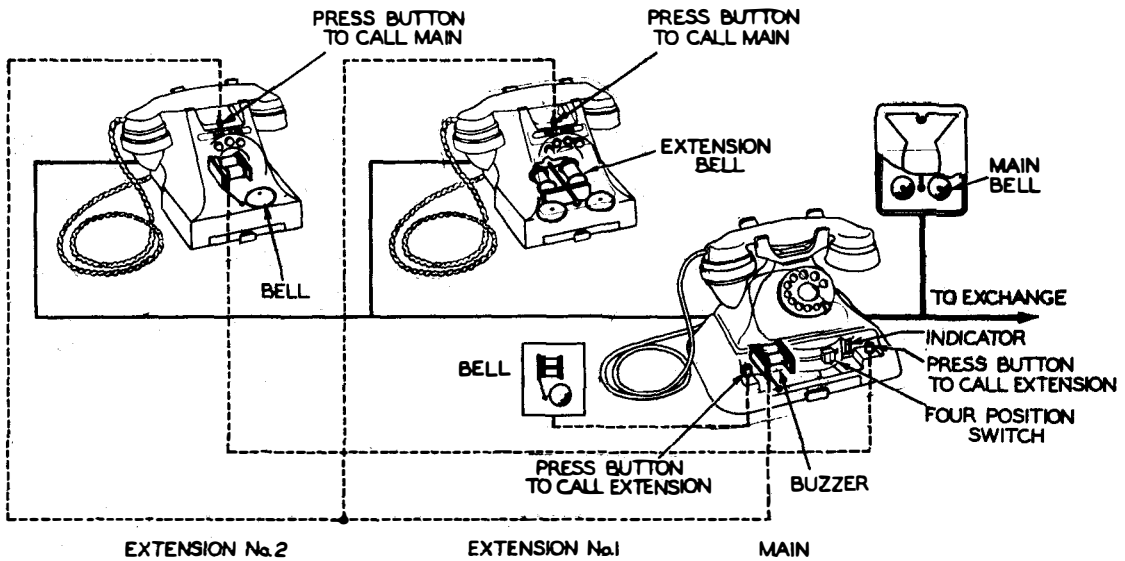
Facilities:

Incoming calls ring the main bell (normally associated with jack No. 1) and also the bell on any telephone connected to any jack point. Calls may be originated from or accepted at any jack point.

EXTENSION PLAN 4



EXTENSION PLAN 5 (INTERNAL)



Plan 5 (internal only). This consists of a main telephone and two internal extensions having limited intercommunication.

This plan is designed to avoid fitting small switchboards where intercommunication is only occasionally required between telephones, especially where an internal installation in accordance with plan 7 already exists and a second internal extension is required; the second extension is connected in parallel with the first extension.

Facilities:

Incoming calls received normally at main telephone.

Press-buttons enable the user of the main telephone to call either of the extensions, (and vice-versa).

Exchange calls from main telephone cannot be heard at the extensions.

Extension-to-exchange calls are not secret from main telephone or each other.

Either extension, but not both, may be arranged for connection to the exchange at times when the main telephone is unattended.

The main telephone can hold exchange line and speak to an extension without being heard on the exchange line.

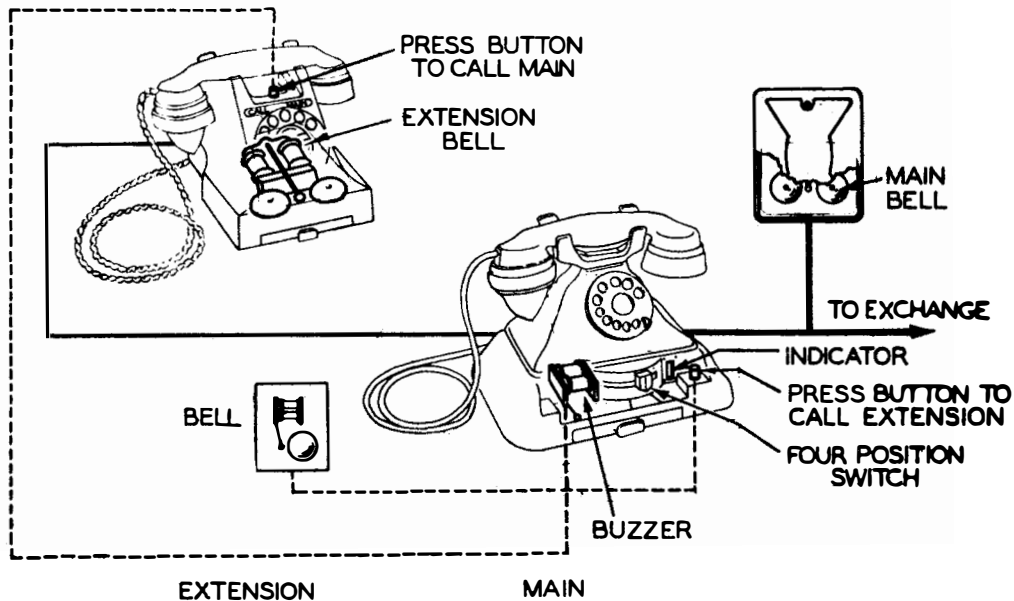
Except

Except in the case of certain of the older type of exchange systems, the indicator at the main telephone shows when the exchange line is in use by an extension.

Plan 5A (internal). This is similar to plan 5, except that extension-to-exchange calls cannot be heard by main telephone.

It is used instead of plan 7A when a second extension is required.

EXTENSION PLAN 7 (INTERNAL)



Plan 7 (internal). This consists of a main telephone and one internal extension with intercommunication facilities.

Facilities:

Incoming calls are normally received at the main telephone but may, if desired, be received at the extension.

A press-button enables the user of the main telephone to call extension, (and vice-versa).

Exchange calls from the main telephone cannot be heard at the extension but extension-to-exchange calls are not secret from the main telephone.

Main telephone can hold the exchange line and speak to extension without being heard on the exchange line.

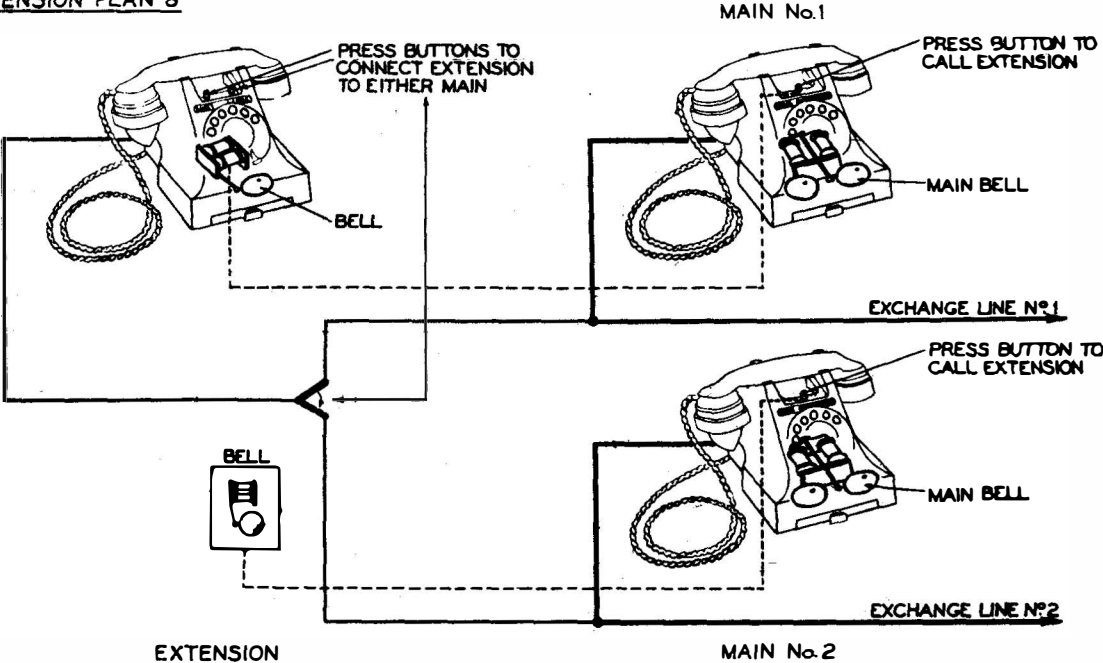
Except in the case of certain of the older type of exchange systems, the indicator at the main telephone shows when the exchange line is in use by an extension.

Plan 7 (external)

Plan 7 (external). This is generally similar to Plan 7 (internal) but with the extension in a different building from the main **telephone** and the replacement of the press-button by hand generators for **calling** between main and extension.

Plan 7A. This is similar to Plan 7 except that extension-to-exchange calls are secret from the main telephone.

EXTENSION PLAN 8



Plan 8. This consists of two exchange lines and one internal extension which may be connected in parallel on either line.

Facilities:

Press-buttons enable the user at the extension to connect his telephone to either exchange line.

Incoming calls are received normally at the main telephones. The main telephones can call the extension on bells of distinctive tones by press-button.

Main and extension telephones can call exchange direct.

No secrecy or intercommunication between extension and main telephones, but conversations on either main telephone cannot be heard by the other main instrument.

Plan 8A. (not illustrated). This gives similar facilities to plan 8, but provides secrecy for extension-to-exchange calls.

The extension telephone, which does not have press-buttons, includes a bell on which incoming calls may be received.

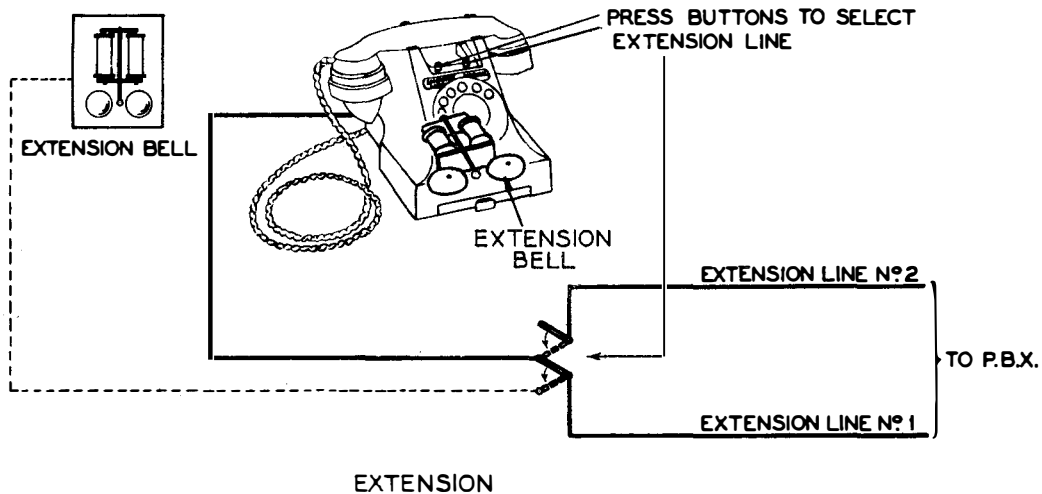
Associated with the extension telephone is a separate cabinet (measuring 10" x 7" x 7") containing:-

A three-position key to connect the extension telephone with either exchange line.

Two indicators which show when the exchange lines are in use.

A bell and a buzzer on which the extension may be called from the main telephones.

EXTENSION PLAN 9



Plan 9.

Duplicated lines from a private branch exchange to an internal or external extension.

This plan is designed to meet the needs of an extension user who wishes to originate enquiries by telephone while holding a previous call.

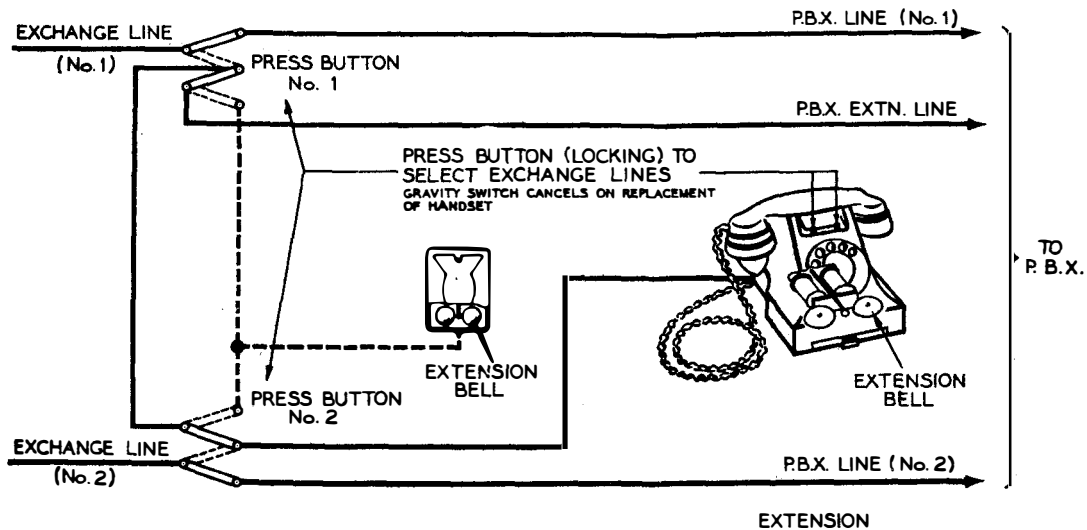
Facilities;

All calls incoming to the extension are connected via extension line No. 1.

The extension originates all ordinary outgoing calls on extension line No. 1.

When a call on extension line No. 1 is being dealt with, enquiries can be made independently and with 'secrecy over extension line No. 2.

EXTENSION PLAN 10 (INTERCEPTING 1 OR 2 EXCHANGE LINES ONLY)



Plan 10.

This plan is designed to give an internal extension secrecy from the private branch exchange on exchange line calls.

The diagram shows the arrangements when secrecy is required on one or two exchange lines only.

If secrecy is required on more than two exchange lines a separate key unit is fitted instead of the press-button(s) on the extension telephone.

Facilities:

All calls to or from the extension should be connected initially via the P.B.X. operator.

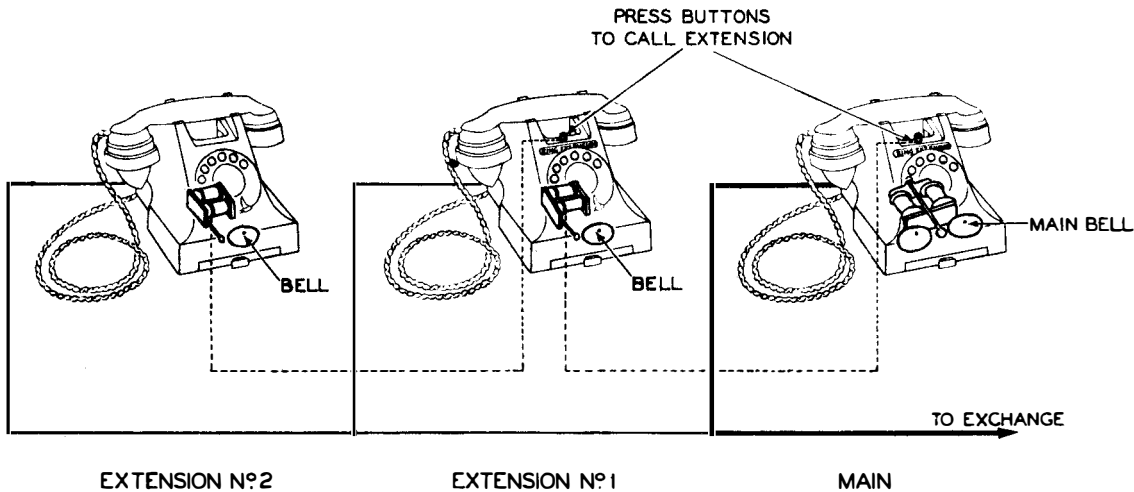
If, on an established exchange call, the extension wishes to speak secretly, depression of the appropriate press-button (or key) disconnects the exchange line from the switchboard and at the same time connects an extension bell to the P.B.X. extension line.

NOTE

NOTE. It is essential for all calls to be handled initially by the operator and, when the plan is wired for two or more exchange lines, for the operator to advise the extension of the exchange line in use.

Replacement of the handset at the extension restores circuit conditions to normal.

EXTENSION PLAN 11



Plan 11. This consists of a main telephone and two internal extensions with 'filtering' facilities. This plan is designed to meet cases where it is desired that incoming calls should be filtered through one extension before being passed on to the other, so avoiding unnecessarily troubling a principal.

Facilities:

Incoming calls are received at the main telephone.

A press-button enables the user of the main telephone to call the No. 1 extension.

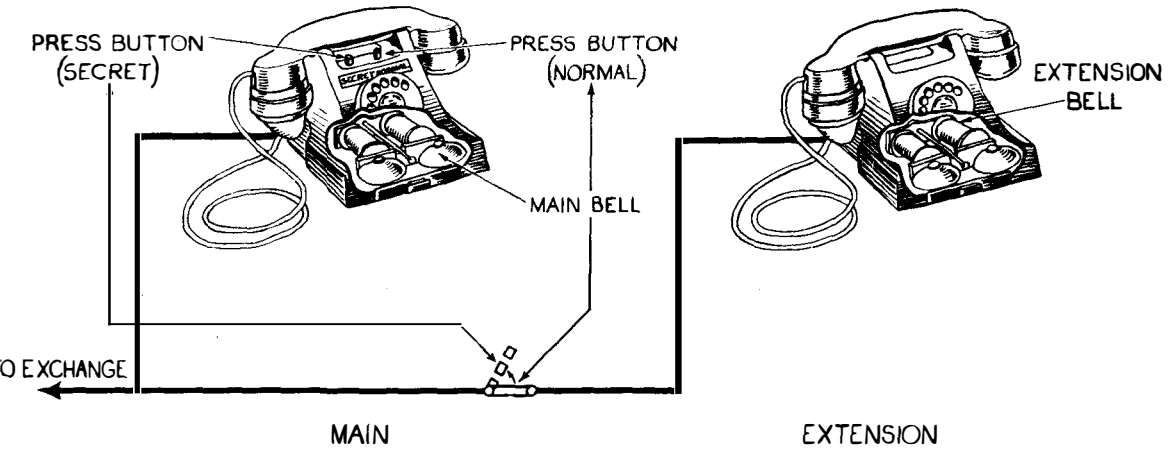
No. 1 extension calls No. 2 extension by press-button.

Main and extension telephones can call the exchange direct.

No secrecy or intercommunication between telephones.

EXTENSION PLAN 12

HANDSET
CANCELS SECRECY
ON REPLACEMENT.



Plan 12. This consists of a main telephone and one internal (or exceptionally, external) telephone with secrecy. Two telephones (which must be combined set, one-piece, instruments) normally in parallel, are connected to one exchange line, with a secrecy press-button at the main telephone.

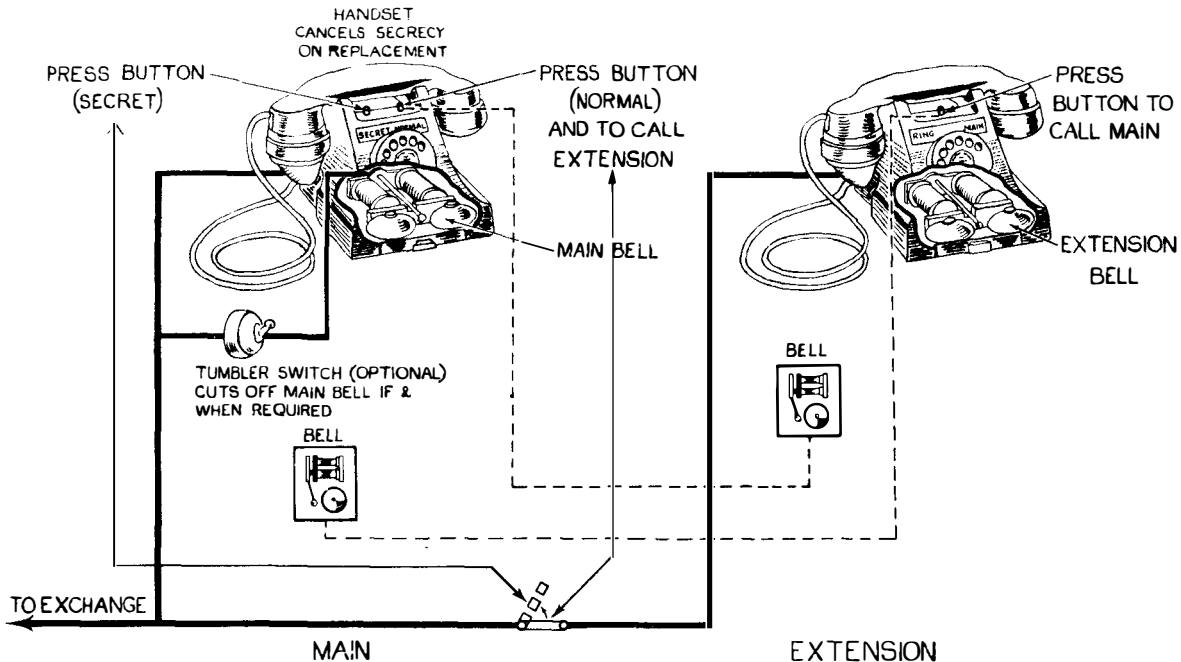
This plan extension is provided only on certain official circuits in the Post Office and other Government Departments.

Facilities:

Incoming calls ring both main and extension telephone bells and are normally answered at the main telephone. If continuous ringing indicates that the main telephone is unattended, the call may be answered at the extension. Main or extension telephones can call exchange direct. No inter-communication between main and extension telephones is provided.

The main can cut out the extension telephone, if desired, by pressing the "secret" button. Normal (non-secret) conditions are restored by pressing the "normal" button, or by replacing the telephone.

EXTENSION PLAN 12A



Plan 12A. This consists of a main telephone and one internal (or exceptionally, external) telephone, with secrecy. Two telephones (which must be combined set, one-piece instruments) normally in parallel, are connected to one exchange line with a secrecy press-button at the main telephone.

This plan extension, which is provided only on certain official circuits in the Post Office and other Government Departments, is similar to plan 12 but provides, in addition, for bothway signalling between main and extension telephones and, if desired, for the main telephone bell to be disconnected at will.

Facilities:

Incoming calls ring both main and extension telephone bells, and are normally answered at the main telephone.

If continuous ringing indicates that the main telephone is unattended or that the bell has been switched off, the call may be answered at the extension.

Main

Main or extension telephones can call exchange direct.

No intercommunication between main and extension telephones is provided.

The main can cut out the extension telephone, if desired, by pressing the "secret" button. Normal (non-secret) conditions are restored by pressing the "normal" button, or by replacing the telephone.

Press buttons enable the main and extension to call each other. At the main telephone, press-button may be additional to the "secret" and "normal" buttons, or the "normal" button may be used also to call the extension.