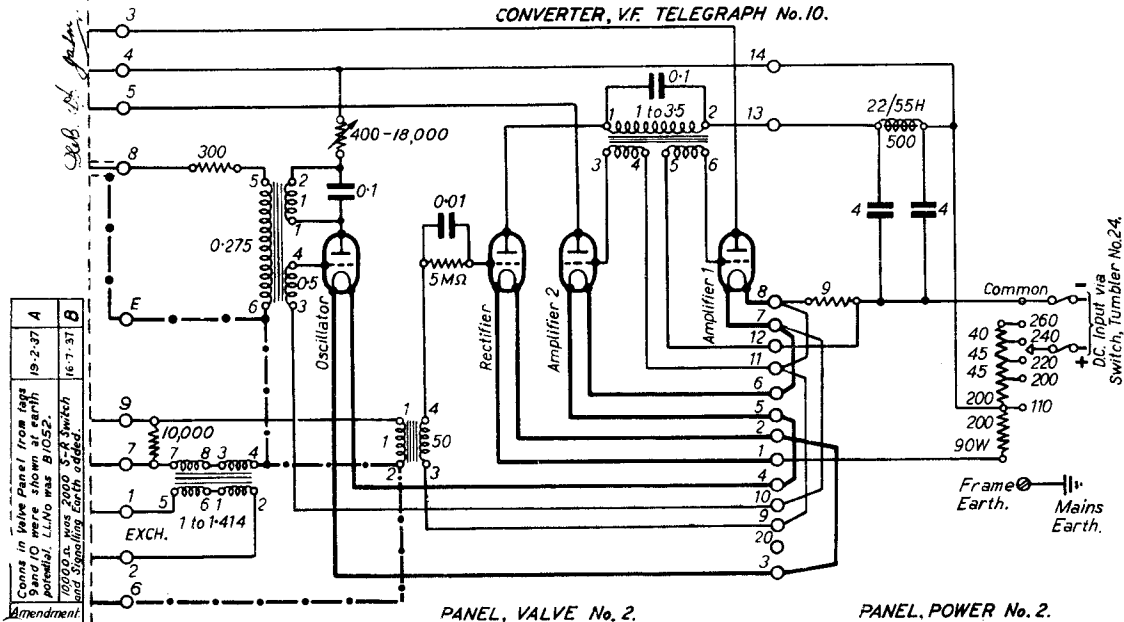


TELEX CIRCUIT 1500 P.P.S.


TG(L)998 B. 9-3-36

SCHEMATIC CONNECTIONS FOR D.C. MAINS SUPPLY.

CONVERTER, V.F. TELEGRAPH No. 10.



NOTES

- 1 For Schematic Connections for A.C. Mains Supply, see TG(L) 997.
- 2 For Schematic Connections of Converter, see TG(L) 756 & TG(L) 993.
- 3 For Schematic Connections of Teleprinter No. 7... see TG(L) 780.
- 4  Indicates connections at earth potential.

 Indicates Filament circuit.

 Indicates Screened conductor.

