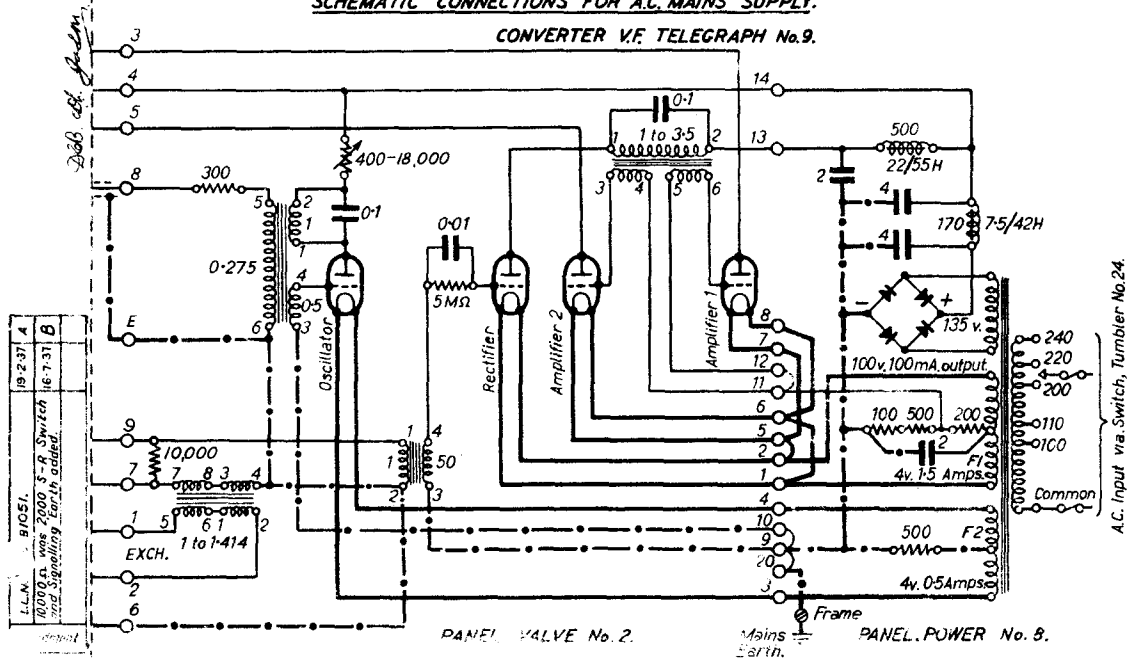


TELEX CIRCUIT 1500 P.P.S.  
SCHEMATIC CONNECTIONS FOR A.C. MAINS SUPPLY.

TG(L)997B. 9.3.36

CONVERTER V.F. TELEGRAPH No.9.

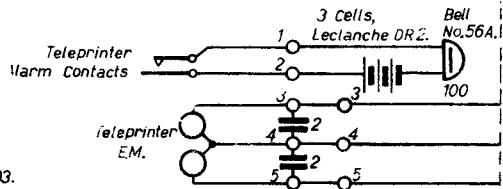


LL.N.	B105E1.	19.2.37	A
		16.7.37	B
10000 Ω was 2000 S-R Switch 2nd Signalling Earth added.			

PANEL VALVE No. 2.

Mains Earth.

PANEL POWER No. 8.



**NOTES**

- 1 For Schematic Connections for DC Mains Supply see TG(L) 998.
- 2 For Schematic Connections of Converter see TG(L) 756 & TG(L) 993.
- 3 For Schematic Connections of Teleprinter No.7... see TG(L) 780.

- 4 Indicates connections at earth potential.
- Indicates Filament circuit.
- Indicates Screened conductor.

