

# CONVERTERS, V.F. TELEGRAPH Nos. 9 & 10.

TG(L) 994 14-12-35

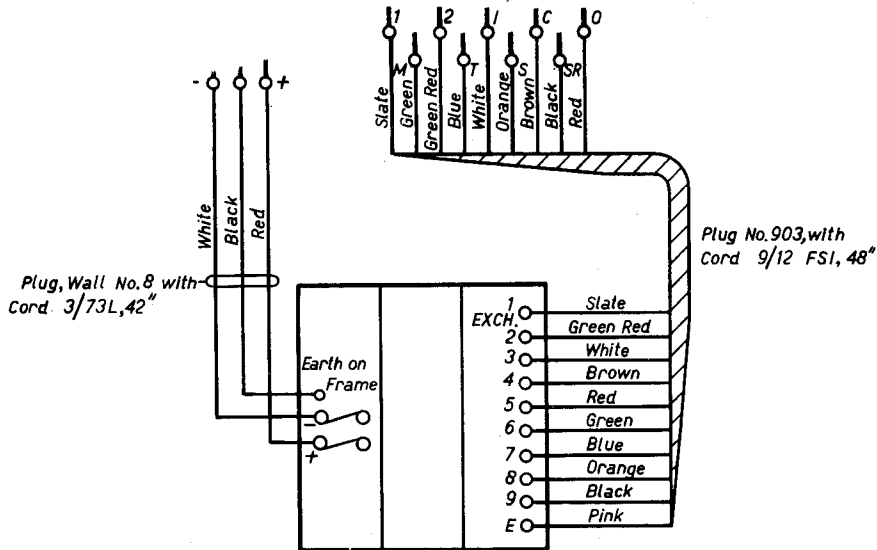
## CONNECTIONS OF PLUGS & CORDS.

(TELEX 1500 P.P.S.)

For Schematic Connections see TG(L)997 & TG(L)998.

*ed. S. B. J. W. T. Jones*

LL No. was B 1048.	A
Amendment.	



CONVERTER, V.F. TELEGRAPH  
No. 9 (A.C.) or No. 10 (D.C.)