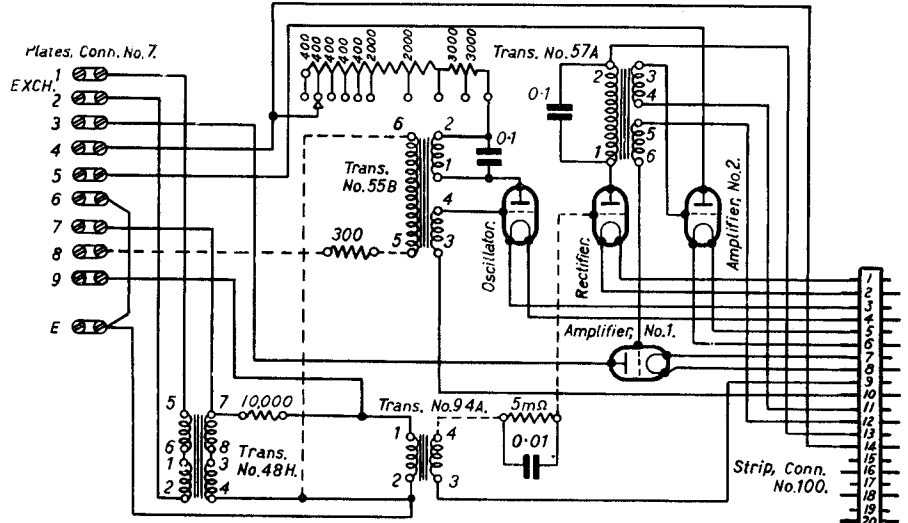


4013 W. J. G. J. W.

**PANEL VALVE No. 2.**  
**FOR CONVERTERS V.F. TELEGRAPH Nos. 9 & 10**  
**(TELEX. 1500 P.P.S)**

TG(L)993.B 4.12.35

FOR SCHEMATIC CONNECTIONS SEE B1051 & B1052



Trans. No. 57A was 57AA, with Cond. 0-2	<b>A</b>
Adjusted const. to Trans. No. 55B wire	4.3.36
10,000 Ω was 2000 Ω, Conn. to Terminal	<b>B</b>
5 was to Terminal 6, Conn. to Tag 20 deleted	16.7.37
2, 300 Ω added. L.L. No. was B1047.	
Amendment	

The connections shown dotted to be Wire, Flameproof 1 wire/20, to be as short as possible, and separate from Cable Form.

CIRCULATION

GENERAL

## PANEL, VALVE No.2.

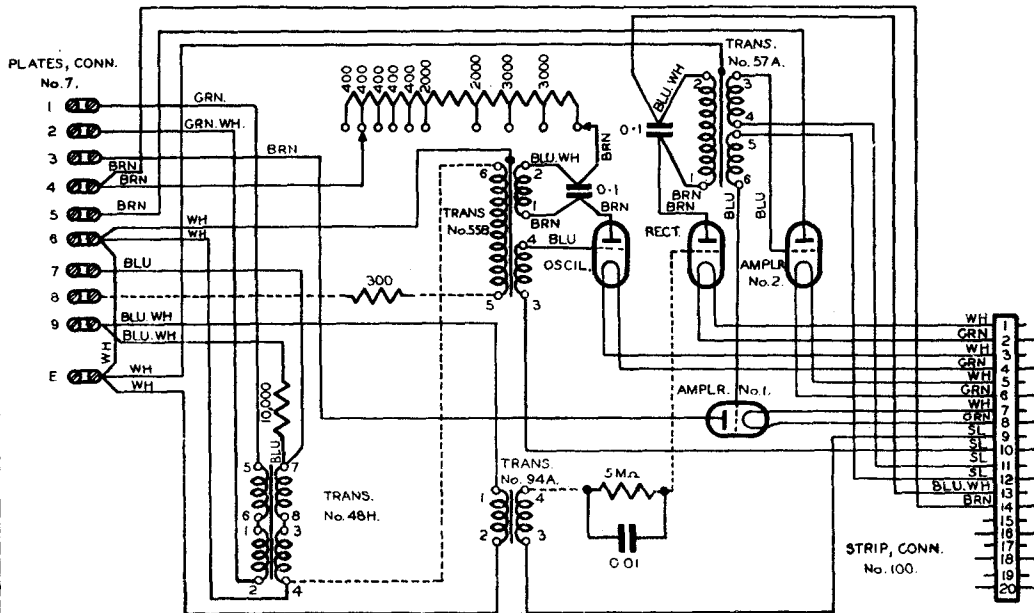
TG(L)993.

FOR CONVERTERS V.F. TELEGRAPH Nos.9&amp;10 (TELEX 1500 P.P.S.)

10.9.40.

FOR SCHEMATIC CONNEXIONS SEE TG995

15,000 ohms 2,000 Ohms to Terminals 9 was to Terminal 6	14-137 B
Terminal 6 to be 20 ohms added.	10-940 C
Redrawn Colour scheme added.	5-44 D
Coms to pins 55B & 57A amended	
Amendment	



THE CONNEXIONS SHOWN DOTTED TO BE WIRE, FLAMEPROOF 1 WIRE/20,  
TO BE AS SHORT AS POSSIBLE AND SEPARATE FROM CABLE FORM.

W