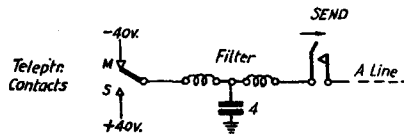
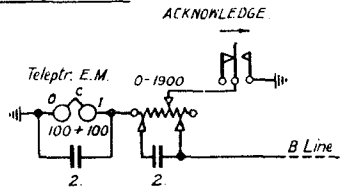


NOTES.

1. ALL BATTERIES 40V
2. FOR 10 LINE SYSTEM BI CONTACT IS REPLACED BY SPRING SET OF BROADCAST KEY.
3. FOR 20 AND 30 LINE SYSTEMS THE COILS OF THE ADDITIONAL BROADCAST RELAYS ARE CONNECTED IN SERIES, ON THE BASIS OF 1 PER 10 LINES.
4. C RELAY OPERATES ON A CURRENT OF NOT LESS THAN 25 MA.
- 5 SWITCH, TUMBLER NO.9½, TO BE INSERTED IN THE POWER CIRCUIT OF EACH HEADQUARTERS TELEPRINTER POSITION.

OUT STATION.



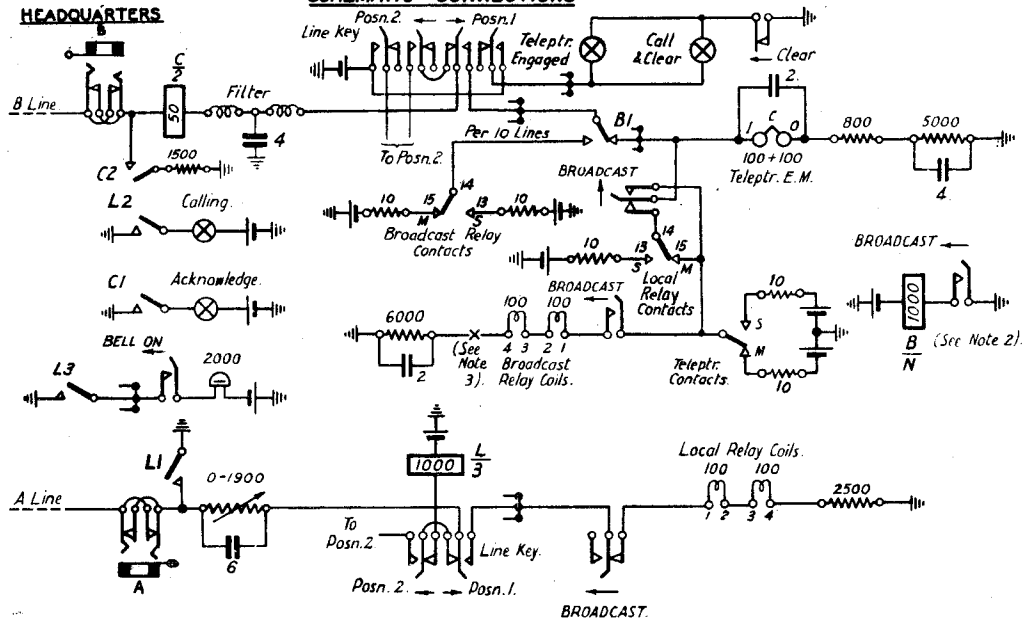
TELEPRINTER P. W. BROADCAST SYSTEM.

WITH DOUBLE CURRENT WORKING FROM OUT STATION

SCHEMATIC CONNECTIONS

TG (L) 989 24-4-36.

888. 50. 10. 1. 10. 4.



A	B
11-9-48	B
LL No. was B108B	
B JACK CONNECTIONS REVERSED.	
Approved by _____	

NOTES.

1. ALL BATTERIES 40V.
2. FOR 10 LINE SYSTEM BI CONTACT IS REPLACED BY SPRING SET OF BROADCAST KEY.
3. FOR 20 AND 30 LINE SYSTEMS THE COILS OF THE ADDITIONAL BROADCAST RELAYS ARE CONNECTED IN SERIES, ON THE BASIS OF 1 PER 10 LINES.
4. C RELAY OPERATES ON A CURRENT OF NOT LESS THAN 25 MA.
- 5 SWITCH, TUMBLER NO.9½, TO BE INSERTED IN THE POWER CIRCUIT OF EACH HEADQUARTERS TELEPRINTER POSITION.

OUT STATION.

