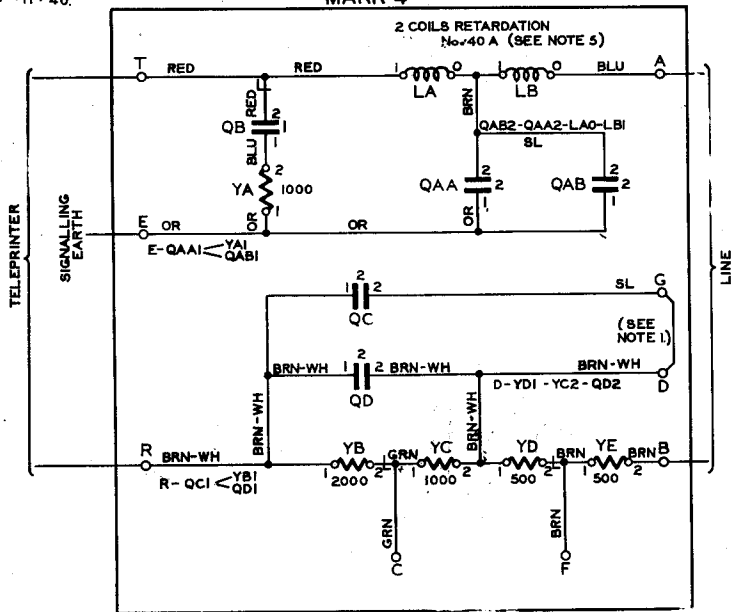


TG(L) 988/1

2 PANELS 2
9-11-40.

MARK 4



NOTES:-

1. D & G ARE PERMANENTLY STRAPPED, & FOR 80V WORKING. IF B LINE CURRENT IS BELOW 16mA STRAP B & D. FOR 40V WORKING. STRAP TAGS R & C, & IF B LINE CURRENT IS BELOW 16mA. STRAP TAGS B & F OR TAGS B & D AS REQUIRED, TO KEEP B LINE CURRENT WITHIN THE RANGE 16-20mA.
2. FOR B LINE ACKNOWLEDGEMENT (SEE TG(L) 1052) WHERE A CURRENT OF OVER 35mA IS REQUIRED TO OPERATE A MARGINAL RELAY, THE CLEAR KEY WILL BE WIRED FROM EARTH TO TAG C OR D DEPENDING ON THE LINE RESISTANCE.
3. THE 2 COILS LA & LB & THE CONDENSER QA, FORM A FILTER FREQUENCY No. 4 B.
4. WHERE A U.A.A., TG 988 MARK II OR MARK III REPLACES A U.A.A., TG 988 MARK I IN A CIRCUIT IT SHOULD BE NOTED THAT THE SIGNALLING EARTH SHOULD BE TERMINATED ON THE E TAG ONLY & NOT ON EITHER THE E OR C TAGS AS IN THE MARK I UNIT.
5. THE 2 COILS LA & LB AND CONDENSERS QAA & QAB. FORM A FILTER FREQUENCY No. 4 A.

NOTES :-

1. D & G ARE PERMANENTLY STRAPPED, & FOR 60V WORKING. IF B LINE CURRENT IS BELOW 16mA STRAP B & D.
FOR 40V WORKING STRAP TAGS R & C, & IF B LINE CURRENT IS BELOW 16mA. STRAP TAGS B & F OR TAGS B & D AS REQUIRED. TO KEEP B LINE CURRENT WITHIN THE RANGE 16 - 20mA.
2. FOR B LINE ACKNOWLEDGEMENT (SEE TG(L) 1052) WHERE A CURRENT OF OVER 35mA IS REQUIRED TO OPERATE A MARGINAL RELAY THE CLEAR KEY WILL BE WIRED FROM EARTH TO TAG C OR D DEPENDING ON THE LINE RESISTANCE.
3. THE 2 COILS LA & LB & THE CONDENSER QA, FORM A FILTER FREQUENCY No. 4 B.
4. WHERE A U.A.A., TG 988 MARK II OR MARK IX REPLACES A U.A.A., TG 988 MARK I IN A CIRCUIT IT SHOULD BE NOTED THAT THE SIGNALLING EARTH SHOULD BE TERMINATED ON THE E TAG ONLY & NOT ON EITHER THE E OR C TAGS AS IN THE MARK I UNIT.
5. THE 2 COILS LA & LB AND CONDENSERS QAA & QAB FORM A FILTER FREQUENCY No. 4 A.

