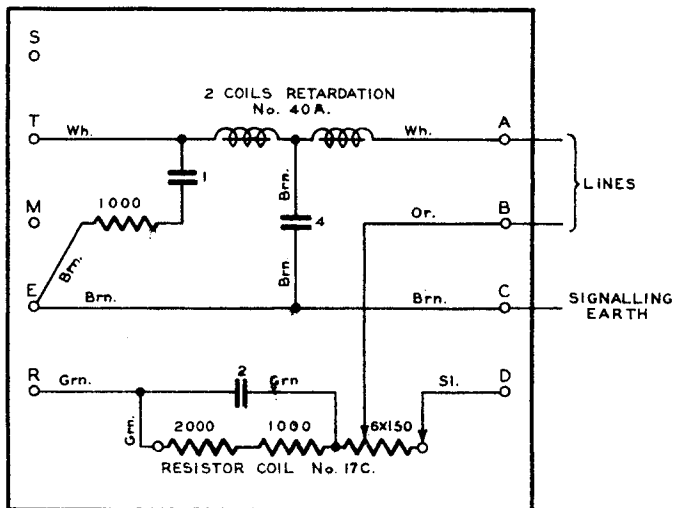


CIRCULATION

GENERAL

UNIT, AUXILIARY APPARATUS TG 988 (MARK I) TG(L)988/0

SUPERSEDED FOR NEW WORK
BY TG(L)988/1.
8.2.41.



NOTES:-

1. THE B LINE CURRENT SHOULD BE ADJUSTED TO 20mA. BY MEANS OF THE ORANGE TAPPING ON RESISTOR, COIL No.17C. (FOR 40V. WORKING THE 2000 OHM COIL SHOULD BE STRAPPED OUT).
2. FOR B LINE ACKNOWLEDGEMENT (SEE TG(L) 1052) WHERE A CURRENT OF OVER 35mA. IS REQUIRED TO OPERATE A MARGINAL RELY, THE ACK (OR CLEAR) KEY WILL BE WIRED FROM EARTH TO TAG D AND THE SLATE TAPPING ON THE RESISTOR COIL SUITABLY ADJUSTED.

L.L. No. was B1045, Strip Com. was Black Term. 21537 D
 Redrawn, Title & Notes amended. Supersession note added 1.3.41 E
 Amendment.

W