

Strip Conn was Black Terminal. 28.5.37 E

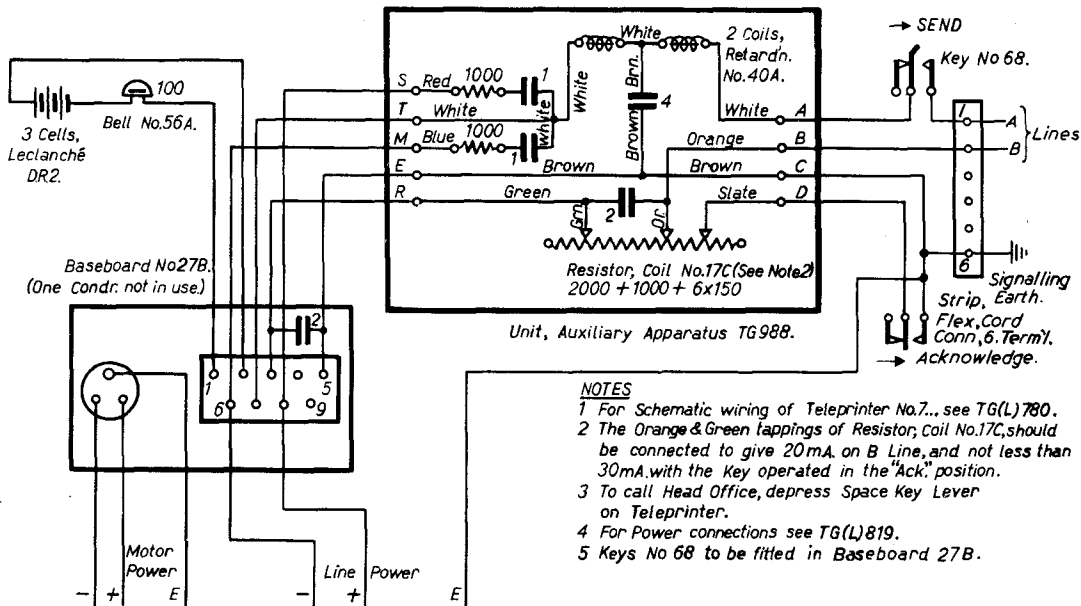
J.G.B. ed. R.N.R. H.G.D.

TELEPRINTER P.W. BROADCAST SYSTEM.

TG(L) 987E 16.8.35

CONNECTIONS FOR TELEPRINTER No.7... FOR DOUBLE CURRENT WORKING AT OUT-STATION.

	A	B	C	D
See Superseded Tracing				
Redrawn UAA TG 988 was No 79	11.3.36			
Notes amended.			6.7.36	
Line Terms Re-designated			12.12.36	
Baseboard was No 27 2 keys were key				
No 174. Note 5 added. LL No was B104				
Amendment				



NOTES

- 1 For Schematic wiring of Teleprinter No.7... see TG(L) 780.
- 2 The Orange & Green tappings of Resistor, Coil No. 17C, should be connected to give 20 mA. on B Line, and not less than 30 mA. with the Key operated in the "Ack." position.
- 3 To call Head Office, depress Space Key Lever on Teleprinter.
- 4 For Power connections see TG(L) 819.
- 5 Keys No 68 to be fitted in Baseboard 27B.