

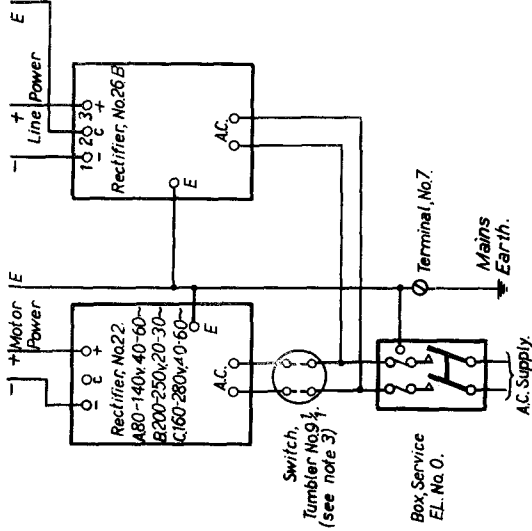
TELEPRINTER P.W. CIRCUITS.

TG(L)979 B. 16-8-35

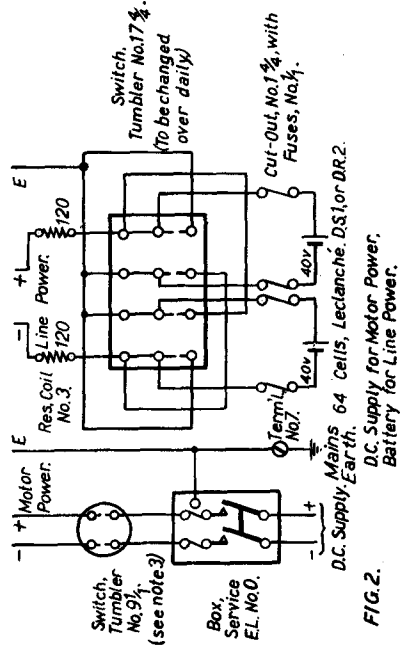
POWER ARRANGEMENTS AT BROADCAST OUT-STATION, AND TARIFF "A" RENTERS' OFFICE.

Amendment	Fig. 2 Cells were D.R.I. Resist. & Fuses added.	14.10.34	A
	L.L. No was B1046.	28.5.37	B

Feb. 20th. 1935. A.S.D.



F/G.1 A.C. Supply for Motor and Line Power.



F/G.2.

- NOTES
- 1 For connections of Rectifier No. 22... see TG(L) 802.
 - 2 " Rectifier No. 26B see TG(L) 1058
 - 3 Switch, Tumbler No. 9 1/4 is not required for Broadcast Out-Station.