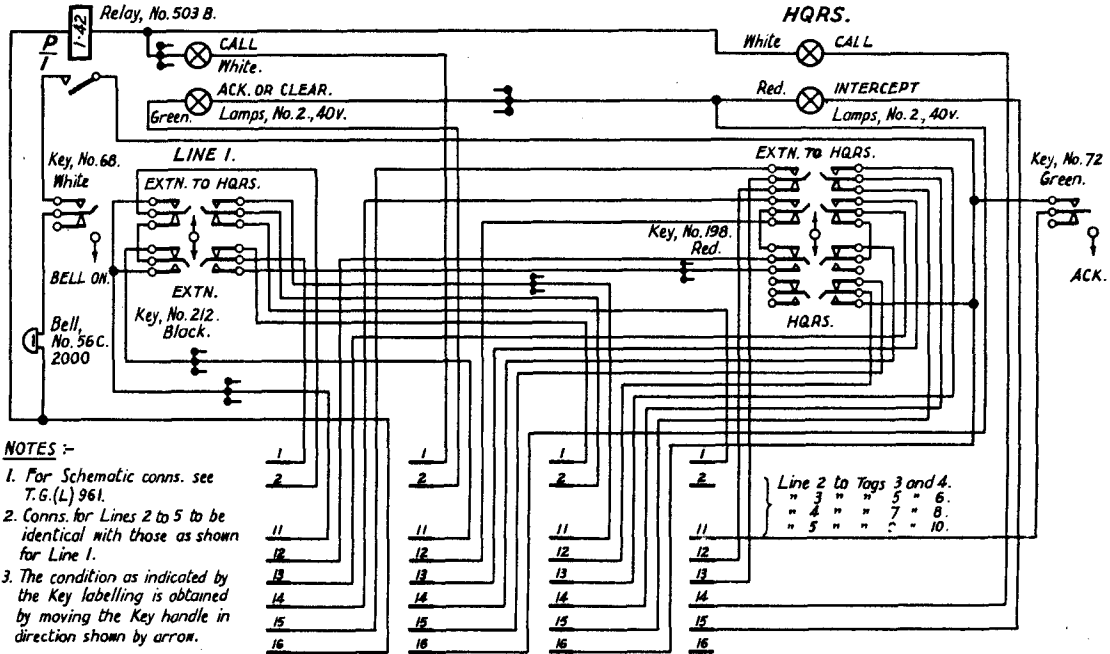


SWITCHBOARD, T. G. 964 $\frac{1+N}{6}$

TG(L) 964 6-4-35.

FOR INTERMEDIATE STATION OF TELEPRINTER PRIVATE WIRE BROADCAST SYSTEM.



LL No. was B 1039.

Amendment.

A. As per T. G. 964.