

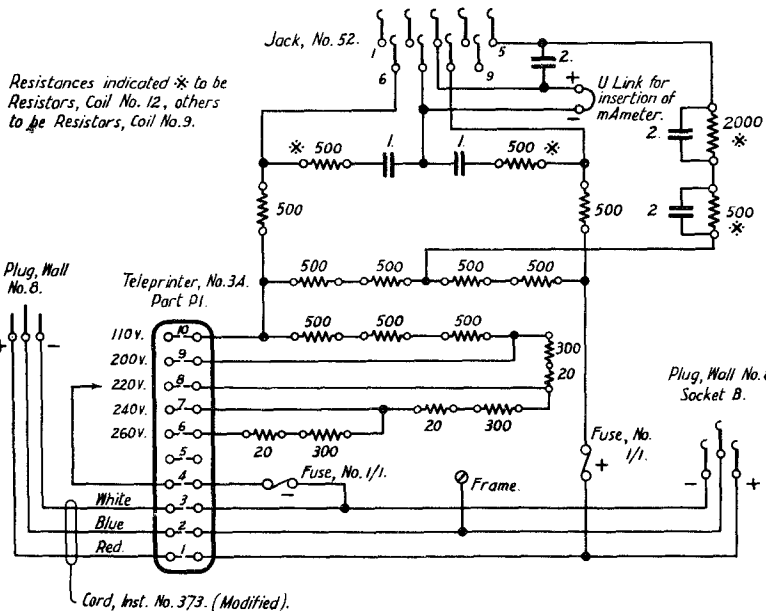
# TESTER, T.G. 949.

FOR TESTING TELEPRINTERS No. 7... IN LOCAL.

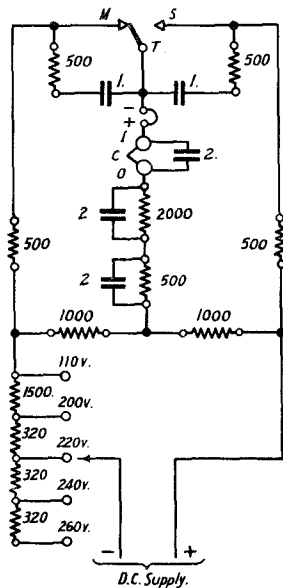
TG(L)949

15-10-34.

B. LL No. was B1035  
 A. Conns. to E.M. reversed. H.B. 6/2/34  
 C.D. H.B. 6/2/34



## SCHEMATIC CONNECTIONS.



# TESTER, T. G. 949.

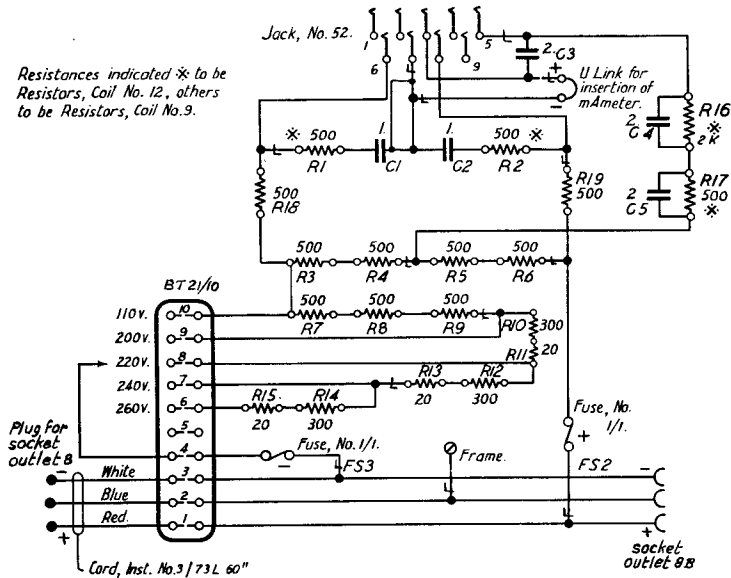
FOR TESTING TELEPRINTERS No. 7... IN LOCAL.

TG(L)949

15 · 10 · 34.

Resistances indicated \* to be Resistors, Coil No. 12, others to be Resistors, Coil No. 9.

S. Coiled components  
 A. LL No. was BT035  
 A. Conn's. to E.M. reversed. AIB. L&K. Rev. 22-2-35.  
 of. H.A.P. L.C. 949.



## SCHEMATIC CONNECTIONS.

