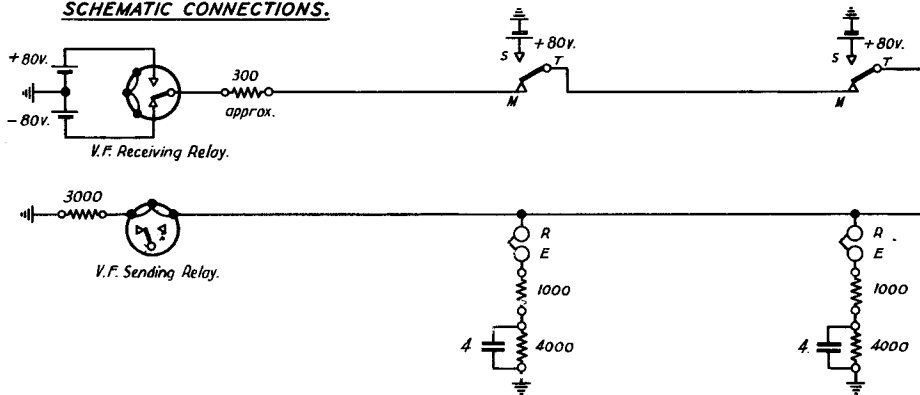


TELEPRINTER, No. 3A.

TG(L)943 A. 7-12-34

OMNIBUS CIRCUIT EXTENDED FROM MULTIPLE V. F. TELEGRAPH SYSTEM.

SCHMATIC CONNECTIONS.

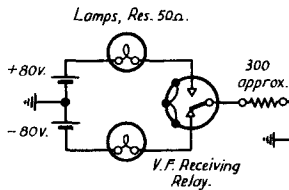


- NOTES:-**
1. When single screened conductors or overhead lines are used for the extensions the earthed "B" lines should be disregarded.
 2. The Filter, Frequency should only be fitted when the extension loops are in main telephone cables.
 3. For conn's. of Teleprinter, No. 3A see TG(L)862.
 4. For power conn's. of Motor circuit see TG(L)819.

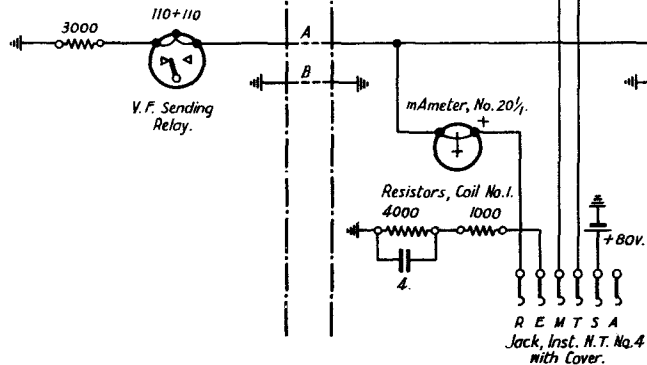
A.B. edit. to G.T. R.M.H.

LL.No was A 1019.	4-5-37 A
Amendment	

V. F. TERMINAL.



EXTENSION 1.



EXTENSION 2.

