

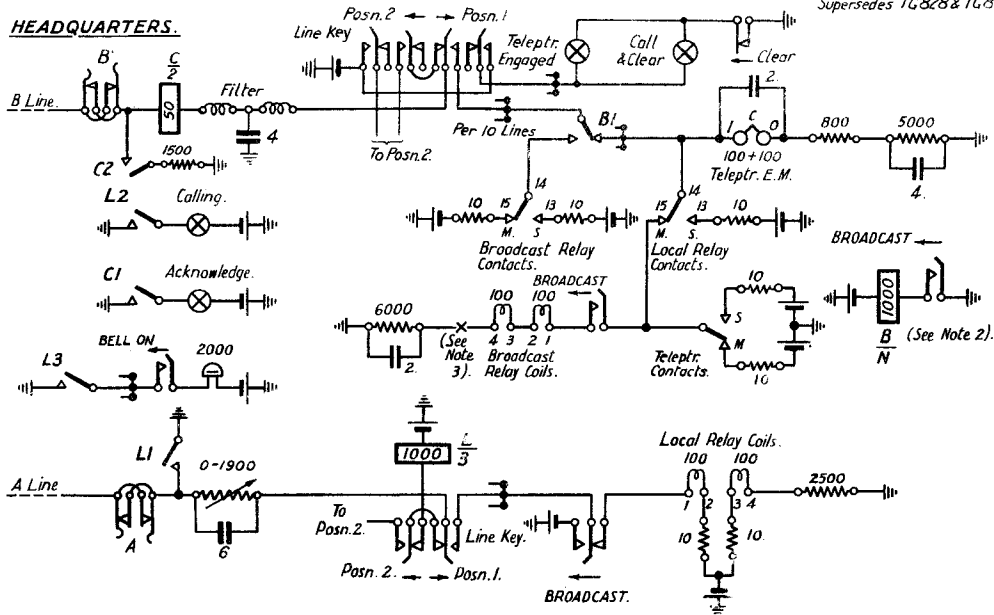
# TELEPRINTER P. W. BROADCAST SYSTEM.

TG (L) 893 29-5-35.

## SCHMATIC CONNECTIONS.

Supersedes TG 828 & TG 848.

### HEADQUARTERS.

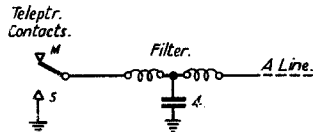
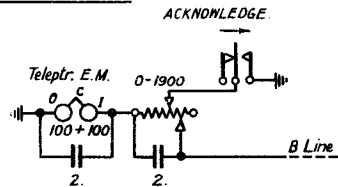


D LL rev was B1030. *W.H. 24. 9. 21. 1935*  
 C Posn. of C Relay & Jacks amended. Bias & L Relay. Bafly was + Posn. Lamp Cct. added. Note 7 deleted. Bafly on Broadcast Key added. *(W.B. 24. 4. 36)*  
 B. Made L.L. Earth on Broadcast Key added and C Contact deleted. *W.H. 24. 10. 1935*  
 / *See Superstated Tracing.*

### NOTES.

1. ALL BATTERIES 40V.
2. FOR 10 LINE SYSTEM B1 CONTACT IS REPLACED BY SPRING SET OF BROADCAST KEY.
3. FOR 20 AND 30 LINE SYSTEMS THE COILS OF THE ADDITIONAL BROADCAST RELAYS ARE CONNECTED IN SERIES, ON THE BASIS OF 1 PER 10 LINES.
4. C RELAY OPERATES ON A CURRENT OF NOT LESS THAN 25 MA.
5. FOR INTERMEDIATE STATION WORKING SEE TG(L)961.
6. IF ALTERNATIVE TELEPHONE FACILITY IS REQUIRED, RELAY L IS TRANSFERRED TO THE B LINE.

### OUT STATION.

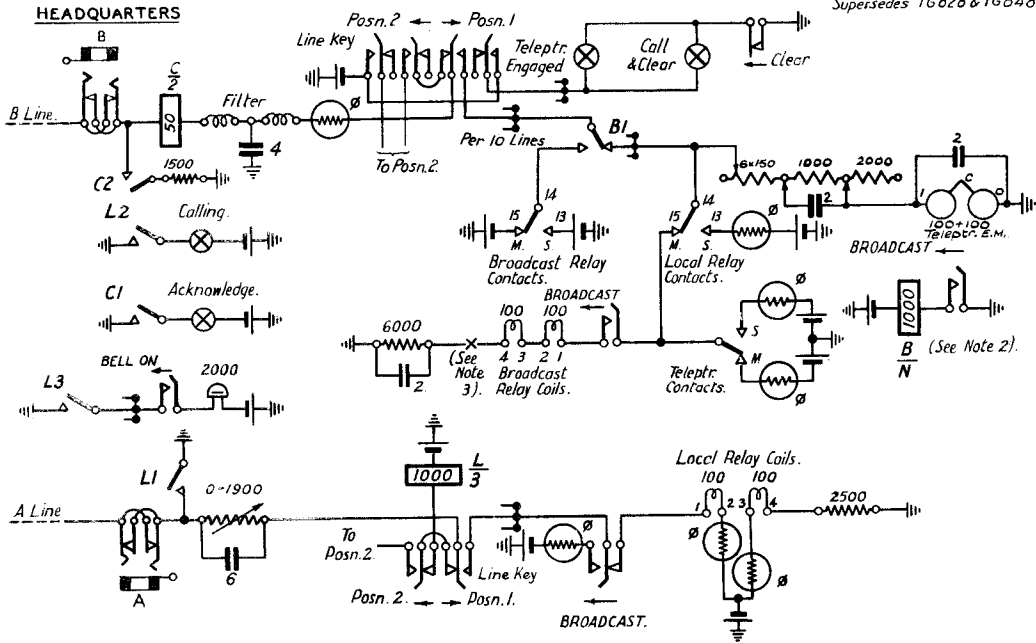


# TELEPRINTER P. W. BROADCAST SYSTEM.

TG(L) 893 29-5-35.

## SCHMATIC CONNECTIONS.

Supersedes TG 828 & TG 848.



- F. B JACK CONNECTIONS REVERSED MMS:MF  
 E Shunted Condenser of E.M. amended by JCA. 7-11-40  
 D. L. No. was B1030. ~~MA. CD. 24. 4 36~~  
 C. Position of C Relay & Jacks amended. B1030 & L Relay Battery was 4. Position Lamp Cct. added. Note 7 deleted. Battery on Broadcast Key added and C Contact deleted. ~~MA. CD. 24. 4 36~~  
 B. ~~MA. CD. 24. 4 36~~  
 A. See Superseded Tracing.

### NOTES.

1. ALL BATTERIES 40V.
2. FOR 10 LINE SYSTEM B1 CONTACT IS REPLACED BY SPRING SET OF BROADCAST KEY.
3. FOR 20 AND 30 LINE SYSTEMS THE COILS OF THE ADDITIONAL BROADCAST RELAYS ARE CONNECTED IN SERIES, ON THE BASIS OF 1 PER 10 LINES.
4. C RELAY OPERATES ON A CURRENT OF NOT LESS THAN 25 MA.
5. FOR INTERMEDIATE STATION WORKING SEE TG(L)961.
6. IF ALTERNATIVE TELEPHONE FACILITY IS REQUIRED, RELAY L IS TRANSFERRED TO THE B LINE.

Ø BULB RESISTOR No.11, 100 Ω

### OUT STATION.

