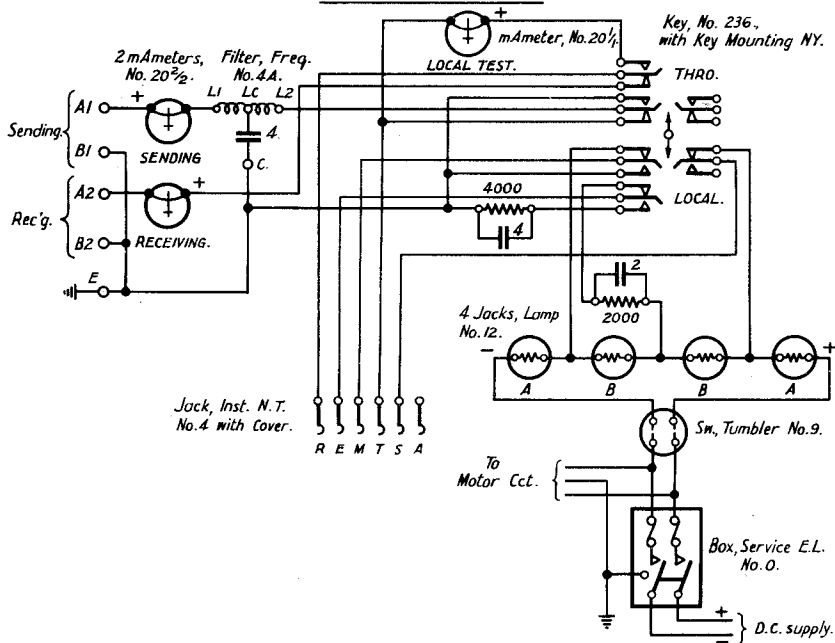


TELEPRINTER, No. 3A.

TG(L)892 B. 12-7-39.

2 WAY SX CCT., C. B. WORKING, WITH D. C. MAINS SUPPLY FOR NON - RACK MOUNTED OFFICES.

Supersedes T.G. 596.



NOTES.

- For conns. of Teleprinter, No. 3A see TG(L)862.
- For Power conns. of Motor Cct. see TG(L)819.
- For 110V. D.C. supply resistances designated A and B to be Resistors, Coil No. 10., 2000 Ω .
For 200-250V. D.C. supply,
A to be Resistors, Coil No. 11., 5000 Ω .
B to be Resistors, Coil No. 10., 2000 Ω .
- One additional Resistor, Coil of the value or values in use should be held as a reserve.
The Jacks, Lamp No. 12 should be placed as far as possible beyond the normal reach of the operating staff.
- For 2 Line working the A and B lines to be connected to terminals A1 and A2 resp. For 2 Pair working the Sending pair to be connected to Terminals A1 and B1 and the Rec'g. pair to A2 and B2.

	A	B
10-1-36		
8-1-37		
Made LL. and amended.		
LL.No was A 1020.		
Amendment		