

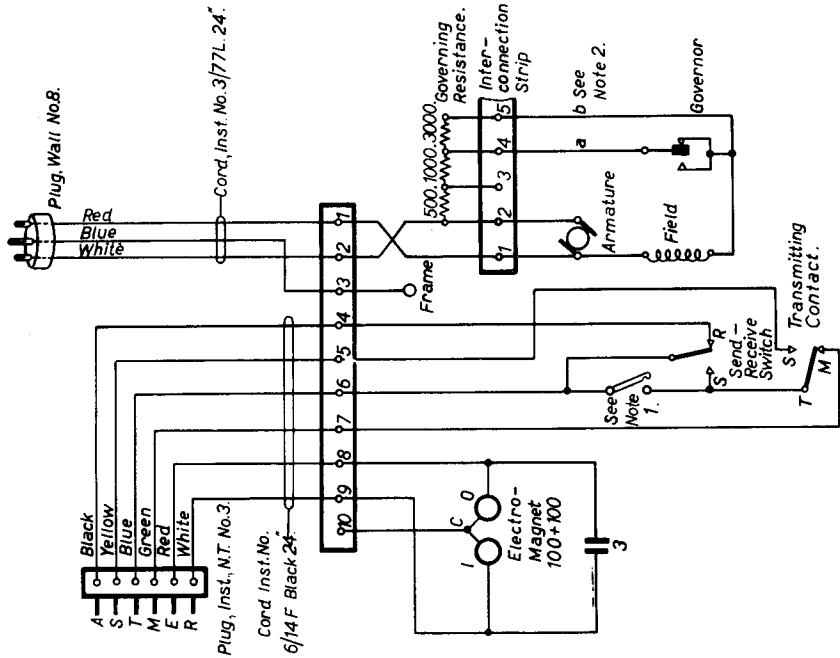
TELEPRINTER No. 3A.

SCHEMATIC CONNECTIONS.

TG(L)862 A. 13-8-34.

For Internal Connections see TG 598.

Redrawn, L.L. No was C1003.	4-5-37 A
Amendment	



- NOTES.**
1. For normal Simplex working strap to be disconnected. For Simplex working on long lines, where a manually operated Send-Receive Key is used, strap to be connected. For Duplex working strap to be connected.
 2. For 200-220 and 230-250v Motor, connect a and b to 4 and 5 respectively. For 110v Motor connect a and b to 3 and 4 respectively.