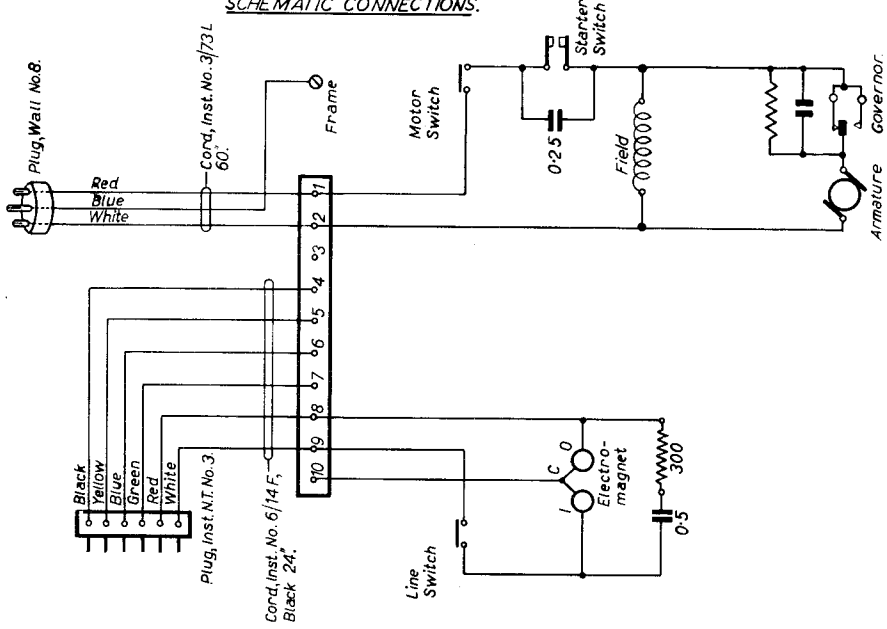


TELEPRINTER REPERFORATOR.

SCHEMATIC CONNECTIONS.

TG(L) 851 A. 22.6.34.



Redrawn LL.No was C1006.	16 7-37 A
Amendment.	