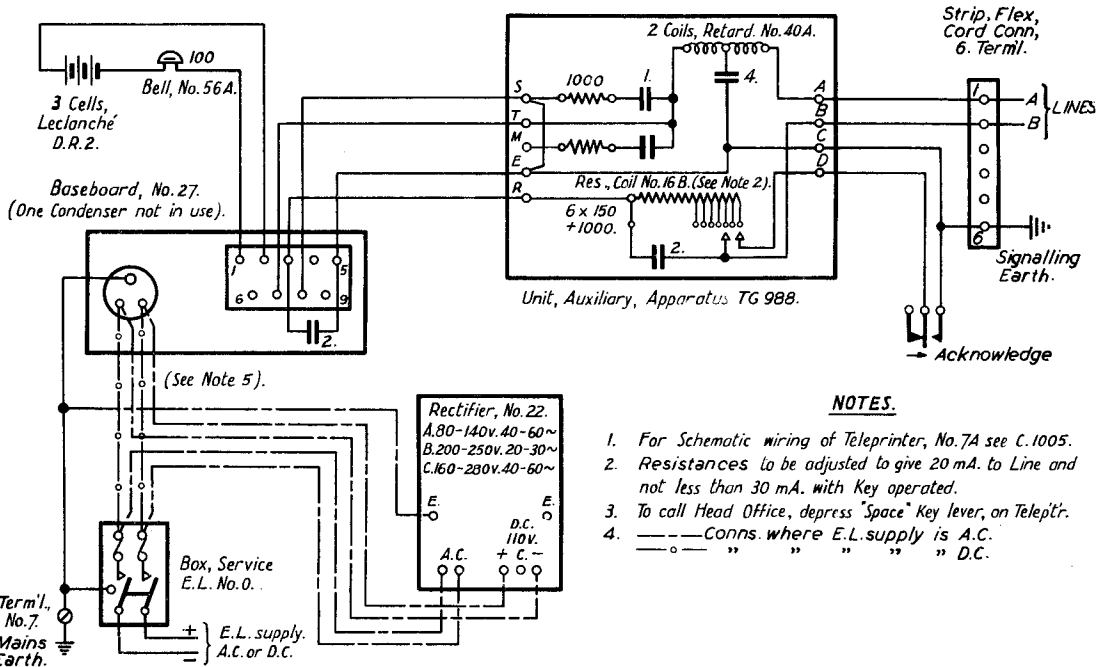


TELEPRINTER P. W. BROADCAST SYSTEM. TG(L)840 C.

CONNECTIONS FOR TELEPRINTER, No. 7A AT OUT STATION.

1-3-35.

A.A. rep. of factory.



NOTES.

1. For Schematic wiring of Teleprinter, No. 7A see C. 1005.
2. Resistances to be adjusted to give 20 mA. to Line and not less than 30 mA. with Key operated.
3. To call Head Office, depress "Space" Key lever, on Telepr't.
4. --- Conns. where E.L. supply is A.C.
 -o- " " " " " D.C.

L.L. No nos B1033 U.A.A. nos No 79,
Strip Conn., nos block Term'l.
Amendment

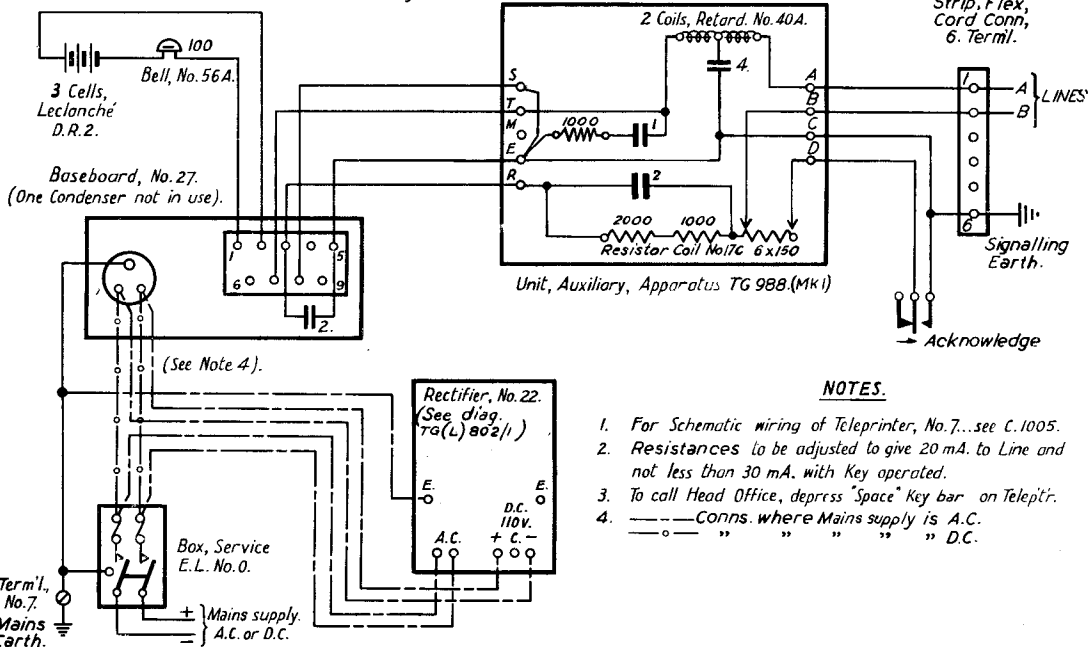
TELEPRINTER P. W. BROADCAST SYSTEM. TG(L)840/O.

1-3-35.

CONNECTIONS FOR TELEPRINTER, No. 7... AT OUT STATION.

(Using U.A.A. TG 988 Mark.1)

H.B. and esp. Japan.



NOTES.

1. For Schematic wiring of Teleprinter, No. 7...see C.1005.
2. Resistances to be adjusted to give 20 mA. to Line and not less than 30 mA. with Key operated.
3. To call Head Office, depress "Space" Key bar on Teletpr.
4. --- Conns. where Mains supply is A.C.
 - - - " " " " " " D.C.

Amendment	L.L. No. was B1033. U.A.A. was No 79, Strip Conn. was block Termi. Made / o. Title amended.	28-6-37	C
		9-1-48	D

TELEPRINTER P.W. BROADCAST SYSTEM
 CONNEXIONS FOR TELEPRINTER No.7. AT OUTSTATION
 (USING U.A.A. TG. 988. MK.2 OR 4)

TG(L) 840/1
 4 PANELS-1
 23-10-47

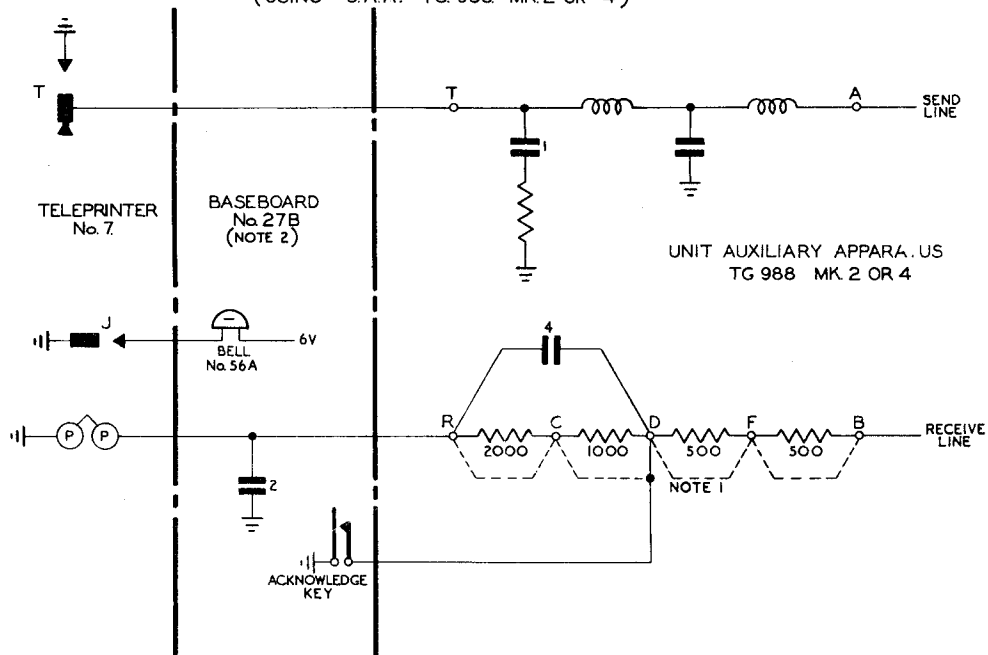


FIG. 1. SCHEMATIC.

W

TG(L) 840/1

4 PANELS - 2

TELEPRINTER P.W. BROADCAST SYSTEM CONNEXIONS FOR TELEPRINTER No.7. AT OUTSTATION

UNIT AUXILIARY APPARATUS TG 988 (MK.2 OR 4)

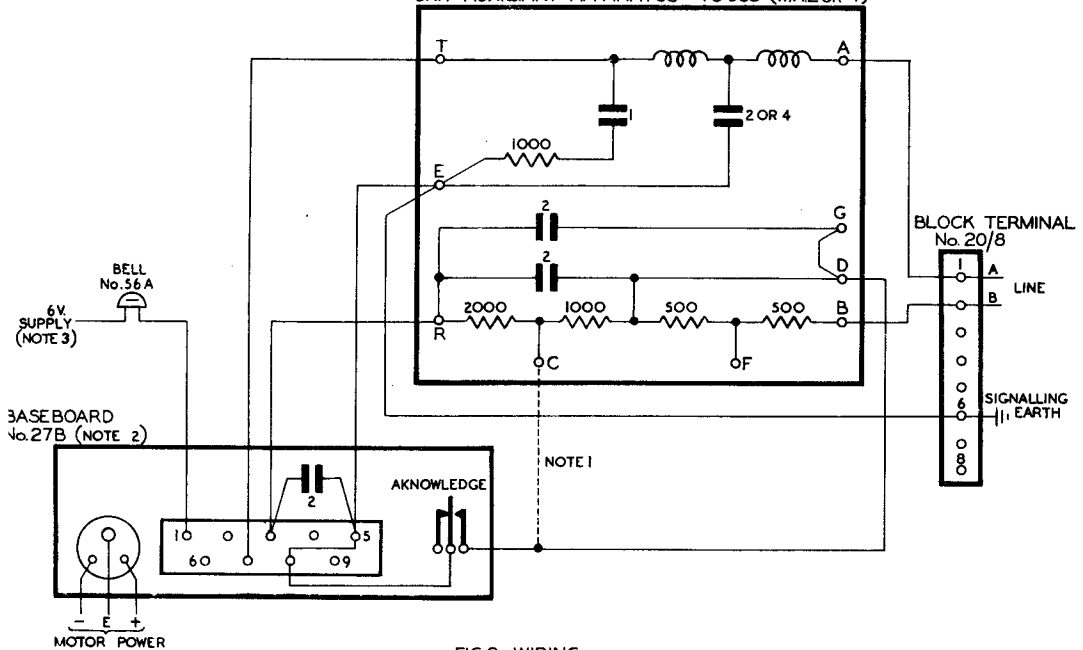


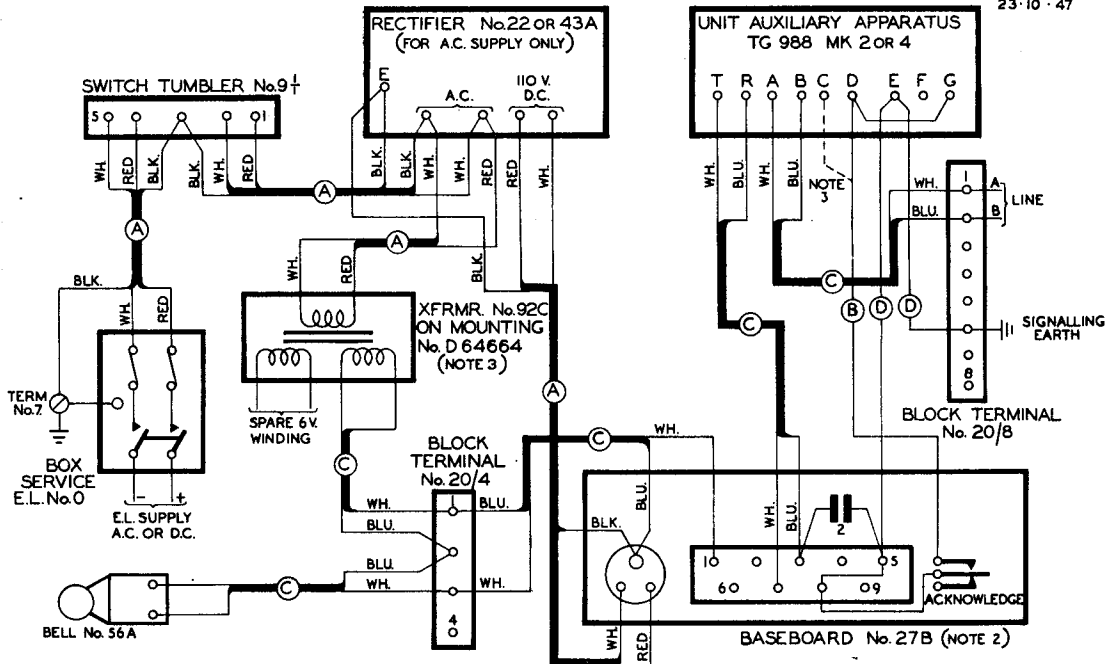
FIG.2. WIRING.

TELEPRINTER P.W. BROADCAST SYSTEM

CONNEXIONS FOR TELEPRINTER No.7. AT OUTSTATION

TG(L) 840/1

4 PANELS - 3
23·10·47



TELEPRINTER P.W. BROADCAST SYSTEM
CONNEXIONS FOR TELEPRINTER No.7. AT OUTSTATION

NOTES:-

1. THESE TERMINALS STRAPPED AS REQUIRED. SEE DIAGRAM TG(L) 988/1.
2. ONE OF THE CONDENSERS IN THE BASEBOARD No.27B IS TO BE DISCONNECTED AND THE OTHER CONNECTED BETWEEN JACK SPRINGS 3 & 5.
3. WHERE A.C. MAINS ARE AVAILABLE THE 6V. SUPPLY WILL BE OBTAINED FROM A TRANSFORMER No.92C AS SHOWN IN FIG.3, AND THE BELL COILS SHOULD BE CONNECTED IN PARALLEL.
WHERE THE MAINS ARE D.C., THE TRANSFORMER No.92C WILL NOT BE FITTED BUT 4 CELLS, LECLANCHE, DR2 WILL BE CONNECTED ACROSS THE TERMINALS 1 AND 2 OF THE BLOCK TERMINAL No.20/4. IN THIS CASE THE BELL COILS SHOULD BE CONNECTED IN SERIES.
4. CABLE DESIGNATIONS ARE AS FOLLOWS:-
 - (A) CORD, FLEXIBLE, E.L. 250V. CLASS D3, 0.001 SQ.INS.
 - (B) CABLE E & C CORE 1 PAIR / 10 BUNCHED.
 - (C) CABLE E & C CORE 1 PAIR / 10.
 - (D) WIRE E & F.P. 1 WIRE / 20.