

# TELEPRINTER P. W. BROADCAST SYSTEM. TG(L)839

1-3-35.

## CONNECTIONS FOR TELEPRINTER, No. 7A AT HEADQUARTERS TABLE POSITION, WITH REPERFORATOR - AUTO-TRANSMITTER FACILITY.

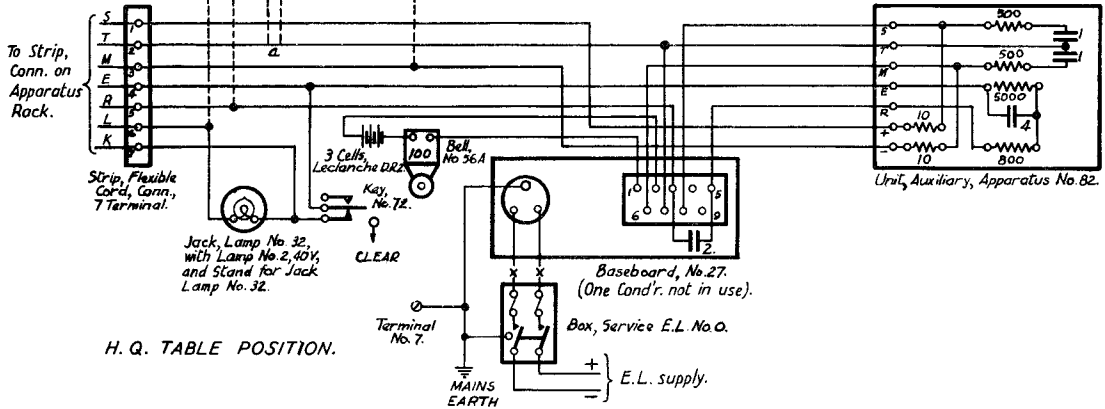
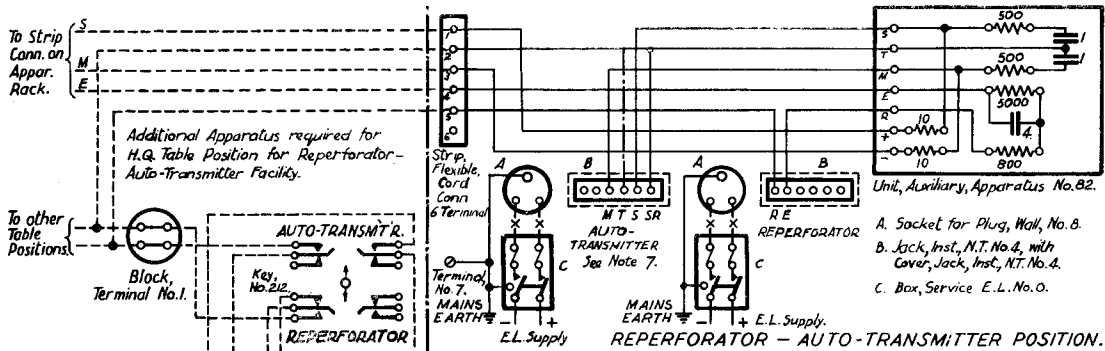
SUPERSEDED FOR NEW WORK  
BY TG(L)3515 & 3516.

### NOTES.

1. FOR SCHEMATIC WIRING OF TELEPRINTER, No. 7A SEE TG(L)780.
2. FOR CONNECTIONS OF REPERFORATOR SEE TG(L)857.
3. FOR CONNECTIONS OF AUTO-TRANSMITTER SEE TG(L)852.
4. THE CONDITION INDICATED BY THE KEY LABELLING IS OBTAINED BY MOVING THE KEY HANDLE IN THE DIRECTION SHOWN BY ARROW.
5. WHEN E. L. SUPPLY IS A. C. INSERT RECTIFIER, No. 22... AT POINTS MARKED x.
6. FOR REPERFORATOR - AUTO-TRANSMITTER FACILITY DISCONNECT AT 'a' AND CONNECT AS SHOWN BY DOTTED LINES.
7. CONNECTION SHOWN CHAIN DOTTED REQUIRED FOR TELEPRINTER AUTO-TRANSMITTER, No. 1B., AND NOT REQUIRED FOR No. 1A.

10 $\Omega$ Resistances in Units Aux Appos No 82 were 40 $\Omega$ . Faults were not designated. L.L. No was B1032. Supersession Note added.	D	25-4-36
	E	28-5-37
Amendment:	F	31-5-40

*CP. H.B. Ford Juma*



H. Q. TABLE POSITION.