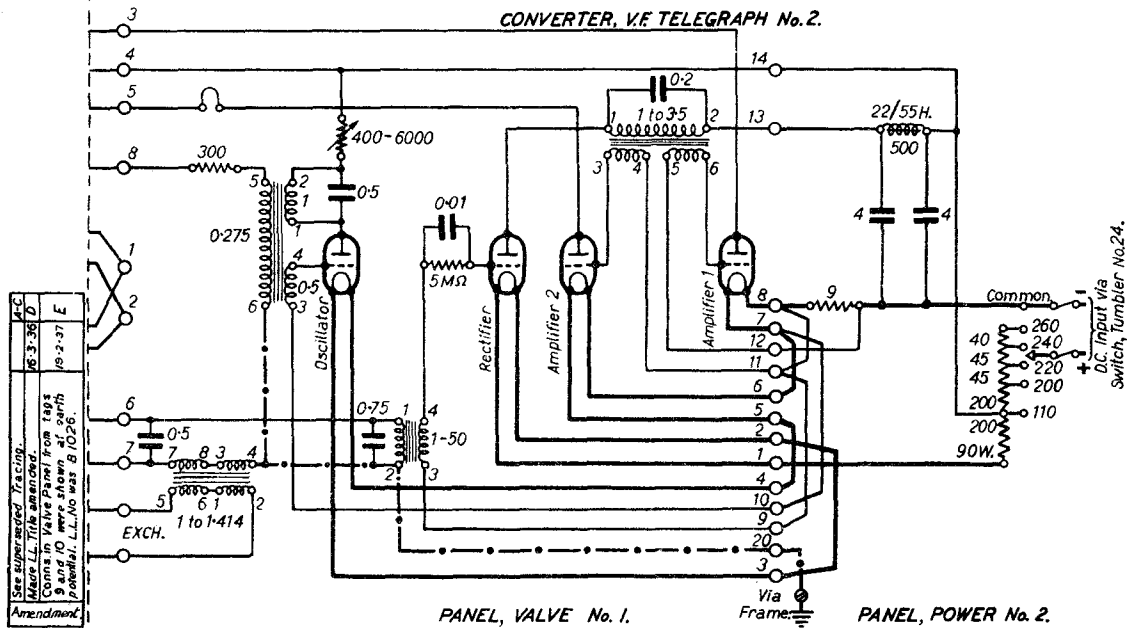


# TELEX CIRCUIT 300 P.P.S.

TG(L)798 E. 16-3-36



## SCHEMATIC CONNECTIONS FOR D.C. MAINS SUPPLY.

### CONVERTER, V.F. TELEGRAPH No. 2.



See superseded Tracing.  
 Macro L.L. Title amended.  
 Conns in Valve Panel from 1493  
 9 and 10 were shown at earth  
 potential. L.L. No was B 1026  
 Amendment

NOTES

- 1 For Schematic Connections for A.C. Mains Supply see TG(L)797.
- 2 For Schematic Connections of Converter see TG(L)799.
- 3 For Schematic Connections of Teleprinter No.7... see TG(L)780.
- 4  Indicates connections at earth potential.
- 5  Indicates Filament circuit.

