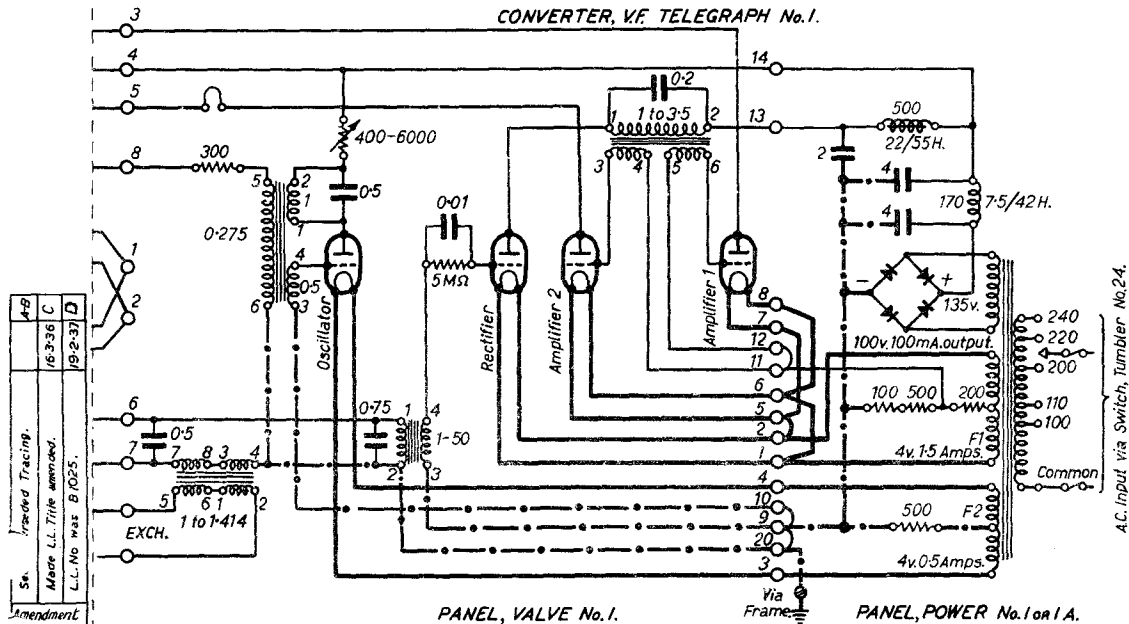


TELEX CIRCUIT 300 P.P.S.
SCHEMATIC CONNECTIONS FOR AC. MAINS SUPPLY.

TG(L)797D. 16-3-36

CONVERTER, V.F. TELEGRAPH No.1.



PANEL, VALVE No.1.

PANEL, POWER No.1 or 1A.

AC. Input via Switch, Tumbler No.24.

NOTES

1 For Schematic Connections for D.C. Mains Supply see TG(L)798.

2 For Schematic Connections of Converter see TG(L)799.

3 For Schematic Connections of Teleprinter No.7... see TG(L)780.

—•—•—•—•— Indicates connections at earth potential.

—■—■—■—■— Indicates Filament circuit.

