

# TELEPRINTER No7A AND No7B

## INTERNAL CONNECTIONS

C 1004 15-2-35  
TG 7790

### COLOUR SCHEME

No	Colour	No	Colour
1	Black-White	13	Red-White
2	Red	14	White
3	Blue	15	Green-White
4	Black	16	Orange-White
5	Green	17	Orange-White
6	Red-Green	18	Red-Black
7	Orange	19	Red-Black
8	Orange-Blue	20	Orange-Black
9	Blue	21	Orange-Black
10	Black-White	22	Blue-White
11	Red	23	Slate
12	Blue-Green	24	Red-Blue

Condensers

A1-For Motor Governor Cct

0.5 $\mu$ F+300V For No7A

0.5 $\mu$ F For No7B

A-For Motor Stop-Start Switch

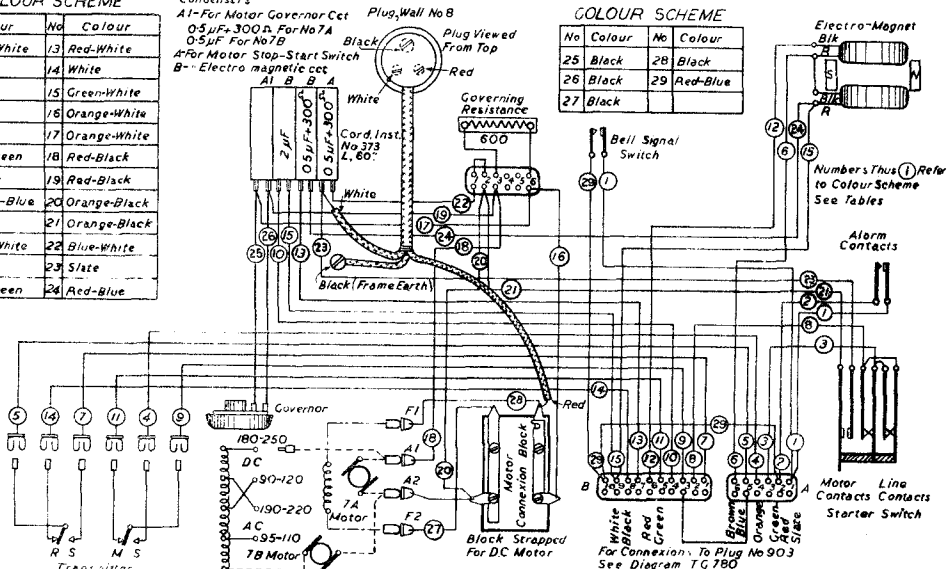
B- Electro magnetic cct

Plug, Wall No B

Plug Viewed From Top

### COLOUR SCHEME

No	Colour	No	Colour
25	Black	28	Black
26	Black	29	Red-Blue
27	Black		



Numbers Thus (1) Refer to Colour Scheme See Tables

Alarm Contacts

Motor Line Contacts Starter Switch

Transmitter

Governor

180-250

DC

90-120

90-220

AC

95-110

7B Motor

F1

A1

A2

F2

7A Motor

28

Red

Motor Connection Block

Block Strapped For DC Motor

29

White

Black

Red

Green

Blue

Orange

Green

Red

Slide

For Connexions To Plug No 903 See Diagram TG 780

--- Indicates Motor Conns For Telepr No7A  
- - - - - No7B

The AC Tappings of The 7B Motor Should Not Be Used Without Special Instructions From The ENG. MEER-IN-CHIEF (Telegraph Branch)

D 119 need and Cord No. Amend No 100 101 102 22.8.35

# TELEPRINTER No7A AND No7B

## INTERNAL CONNECTIONS

TG(L) 779E. 16-2-35

### COLOUR SCHEME

No	Colour	No	Colour
1	Black-White	13	Red-White
2	Red	14	White
3	Blue	15	Green-White
4	Black	16	Orange-White
5	Green	17	Orange-White
6	Red-Green	18	Red-Black
7	Orange	19	Red-Black
8	Orange-Blue	20	Orange-Black
9	Blue	21	Orange-Black
10	Black-White	22	Blue-White
11	Red	23	Slate
12	Blue-Green	24	Red-Blue

### Condensers

A1-For Motor Governor Cct

0.5  $\mu$ F  $\pm$  300  $\Omega$ . For No7A

0.5  $\mu$ F For No7B

A-For Motor Stop-Start Switch

B-- Electro magnetic cct

Plug, Wall No B

Plug Viewed From Top

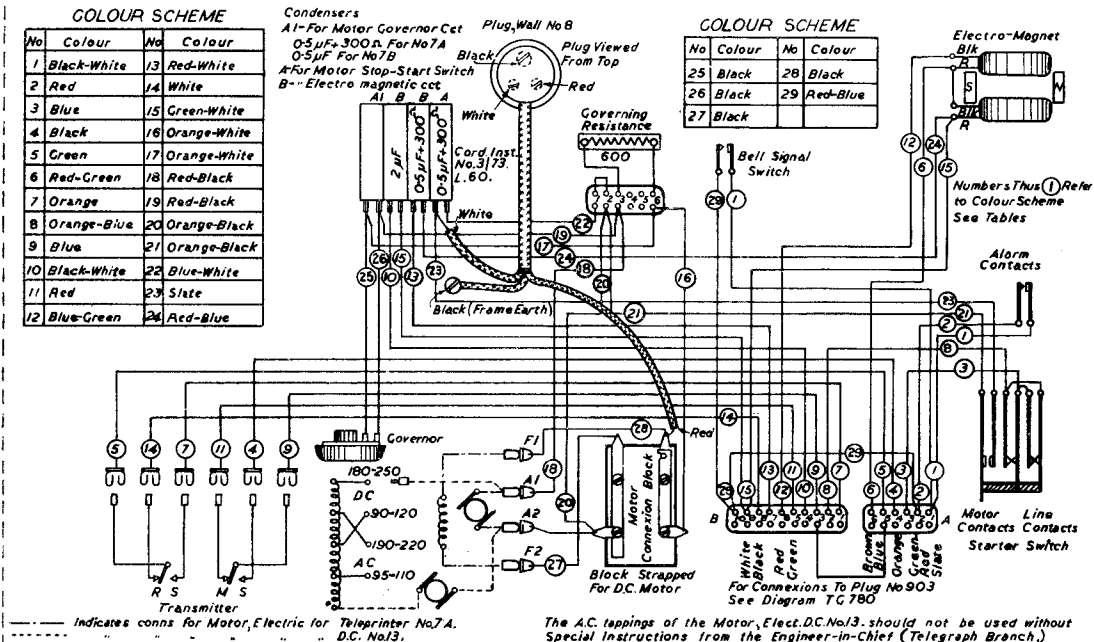
Black

Red

### COLOUR SCHEME

No	Colour	No	Colour
25	Black	28	Black
26	Black	29	Red-Blue
27	Black		

Retraced and Cord No. Amended. 22-8-36 D  
L.L. No was C1004. 18-6-37 E  
Amendment



— Indicates conns for Motor, Electric for Teleprinter No7A.  
- - - - - D.C. No13.

The A.C. tapings of the Motor, Elect.D.C.No13, should not be used without Special Instructions from the Engineer-in-Chief (Telegraph Branch)

# TELEPRINTER No7A AND No7B

## INTERNAL CONNECTIONS

TG(L) 779E<sup>16-2-35</sup>  
 Superseded by TG(L) 1101

### COLOUR SCHEME

No	Colour	No	Colour
1	Black-White	13	Red-White
2	Red	14	White
3	Blue	15	Green-White
4	Black	16	Orange-White
5	Green	17	Orange-White
6	Red-Green	18	Red-Black
7	Orange	19	Red-Black
8	Orange-Blue	20	Orange-Black
9	Blue	21	Orange-Black
10	Black-White	22	Blue-White
11	Red	23	Slate
12	Blue-Green	24	Red-Blue

### Condensers

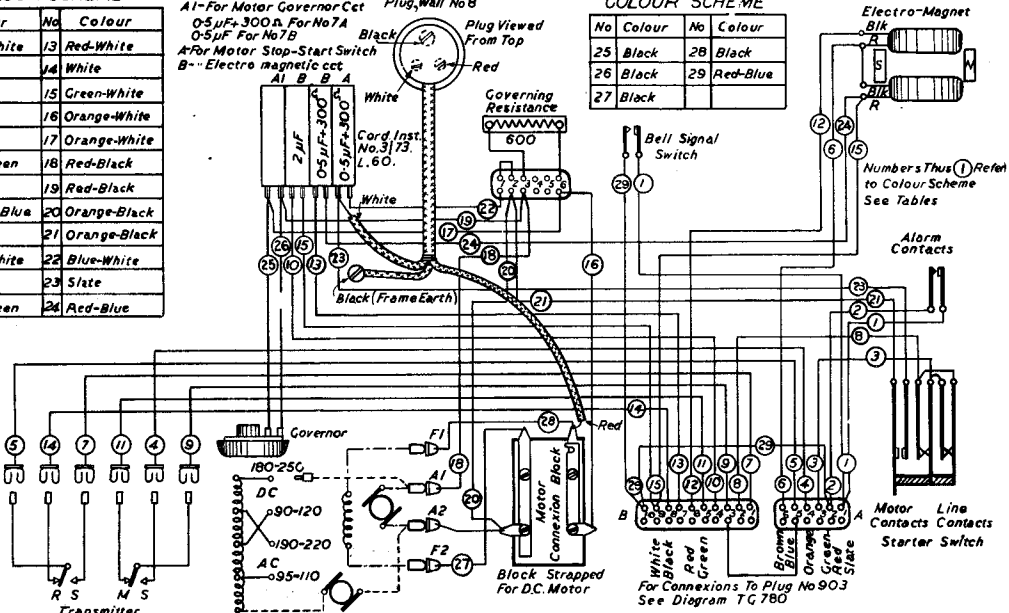
A1 - For Motor Governor Cct  
 0.5µF + 300Ω For No7A  
 0.5µF For No7B  
 A - For Motor Stop-Start Switch  
 B - Electro Magnetic cct  
 A1 B B A

Plug, Wall No 8

Plug Viewed From Top

### COLOUR SCHEME

No	Colour	No	Colour
25	Black	28	Black
26	Black	29	Red-Blue
27	Black		



Retroced, and Card No Amended. L.L. No was C100A. Supersession note added	D	22-8-36
	E	18-6-37
	F	29-7-49
Amendment		

----- Indicates conns for Motor, Electric for Teleprinter No7A.  
 - - - - - D.C. No13.

The A.C. tappings of the Motor, Elect. D.C. No13, should not be used without Special Instructions from the Engineer-in-Chief (Telegraph Branch)