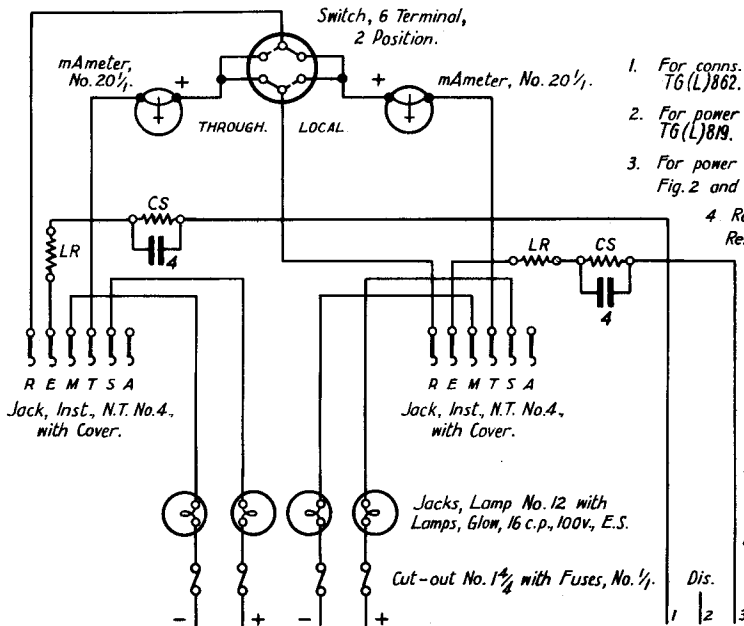


# TELEPRINTER, No. 3A.

TG(L)655 C. 5-2-35.

## TEST SET.



### NOTES.

1. For conns. of Teleprinter No. 3A see TG(L)862.
2. For power conns. of Motor cct. see TG(L)819.
3. For power arrangements see TG(L)938 Fig. 2 and TG(L)939 Fig 4.
4. Resistances CS and LR to be Resistors, Coil No. 1., for values see schedule below.

Resis. in Ohms		Testing Voltage
CS	LR	
1000	1000	24
2000	2500	40
3000	2500	55
4000	4500	80

5 The Switch is arranged for Testing either one machine "in Local," or two machines simultaneously.

Dis.  
1 | 2 | 3

Redrawn and made L.L.  
 Note 4 amended Res. L.R. added.  
 LL No was A1022.

H.A.R.D. 6742