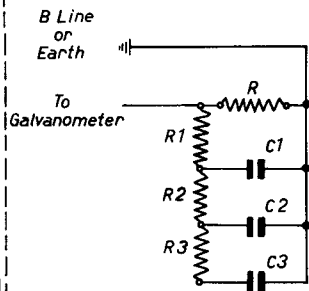


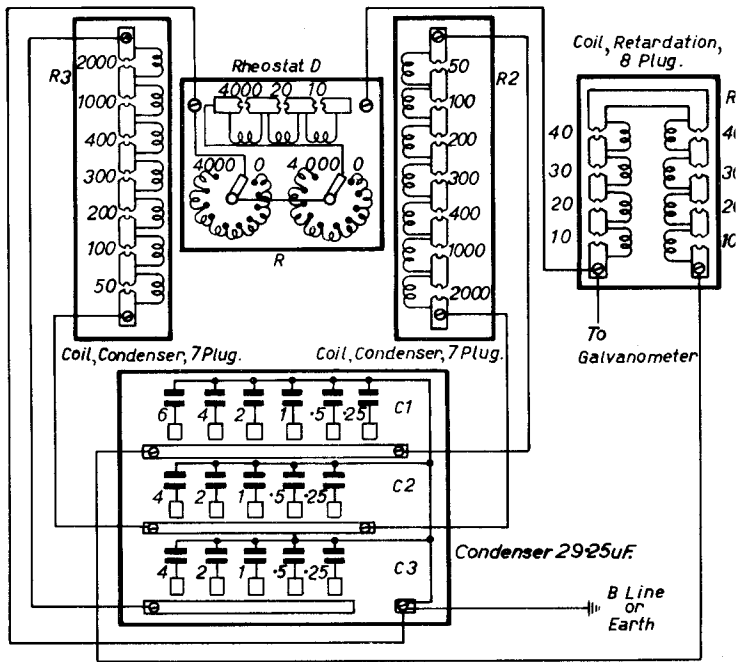
ARTIFICIAL LINE CONNECTIONS FOR LONG UNDERGROUND DUPLEX CIRCUITS.

TG(L) 609 B.

9-7-34



SKELETON CONNECTIONS.



WIRING CONNECTIONS.

Cond. designations amended.	3-1-33 A
	4-5-37 B
Amendment	Redrawn.L.L.No was D1006.