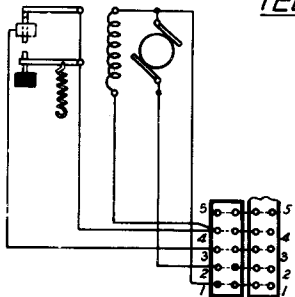


# TELEPRINTER No.3A.

## INTERNAL WIRING.

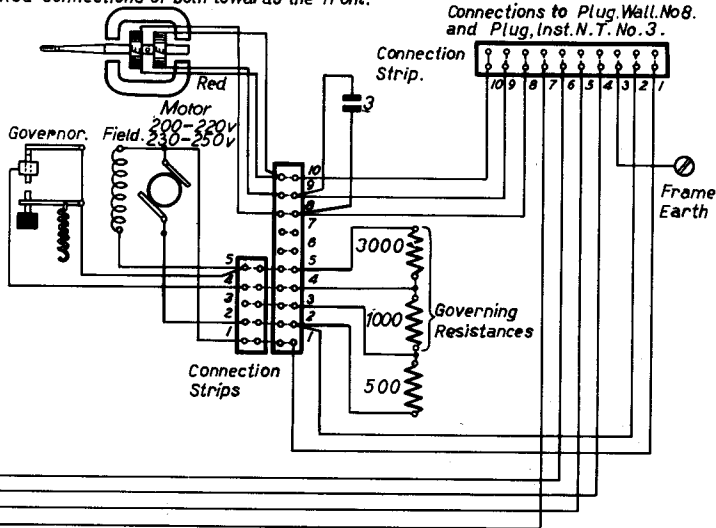
TG(L)598E. 13.8.34.

For schematic conns see TG(L)862.

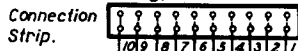


CONNECTIONS FOR 110V. MOTOR.

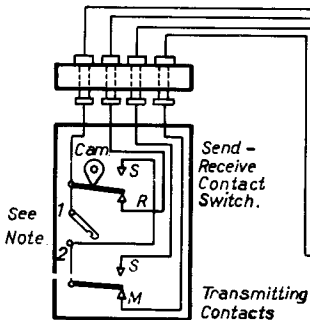
Electro magnet 100x100 ohms Relay windings to be placed in the relay with Red connections of both towards the front.



Connections to Plug Wall No.8. and Plug, Inst. N.T. No.3.



Frame Earth



See Note

Send - Receive Contact Switch.

Transmitting Contacts

Note. 1 and 2 should be connected by the strap for Duplex working.

D	3-7-33	
E	4-5-37	
Plug Wall No. 8 made No. 377. Corp. Inst. No. 36/ made No. 377. Redrawn, L.L. No was C1002.		
Amendment		