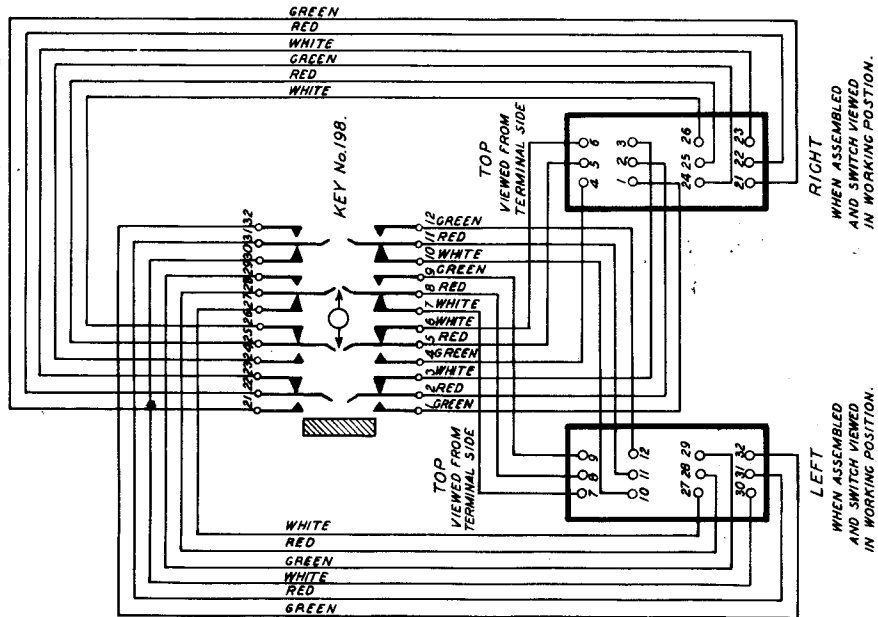


# SWITCH REPEATER LEAK 24 POINT.

TG(L)536 E.

22·6·34

Key Numbering added.	12·12·34	D
	20·7·37	E
Redrawn. L.L. No was D1004.		
Amendment		



NOTE. THE KEY SPRING SETS OPERATE IN THE OPPOSITE DIRECTION TO THE KEY HANDLE.  
TO BE WIRED WITH WIRE E & F.P. 3WIRE/12 1/2.

WHEN ASSEMBLED AND SWITCH VIEWED IN WORKING POSITION.