

CIRCULATION

GENERAL

A	7/4/42
B	16/1/42
C	24/8/42
PANEL No. 1 NOTE 3 AMENDED. FIG 6 NOTES AMENDED.	
NOTE 4 ADDED. (PANEL 1)	
CLEAR KEY ADDED (PANEL 1)	
AMENDMENT	

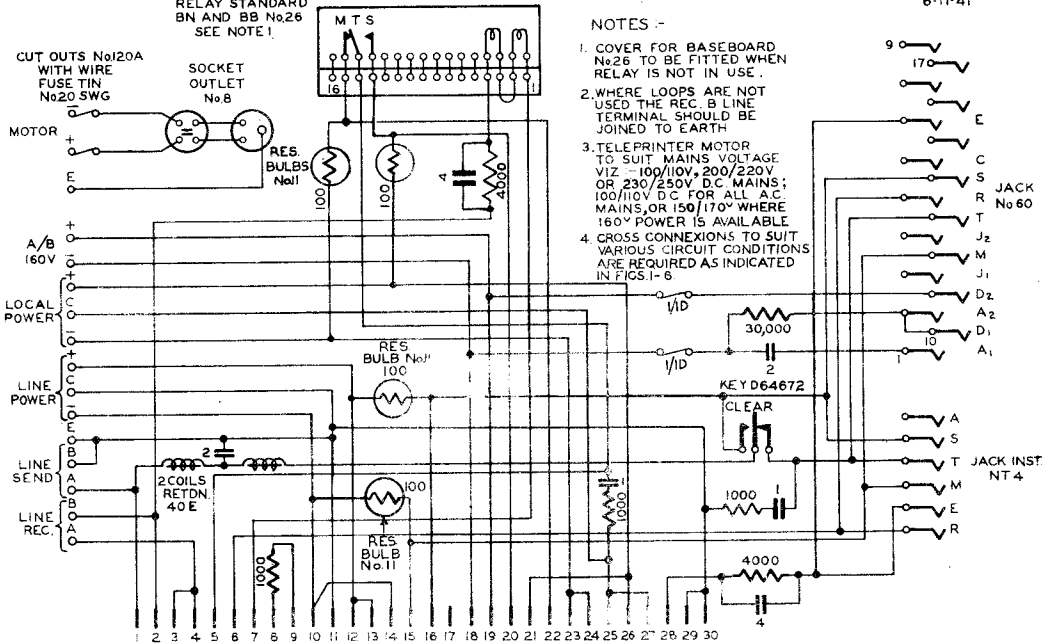
W

UNIT A.A.TG 4522

PORTABLE 2 WAY SIMPLEX SET FOR TELEPRINTERS No.3

TG(L) 4522
4 PANELS-1
6-11-41

RELAY STANDARD
BN AND BB No.26
SEE NOTE 1.

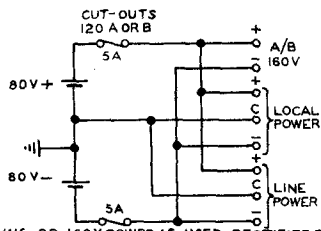
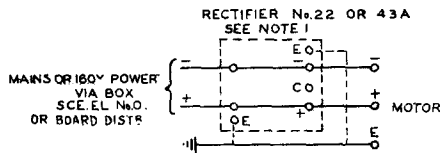


NOTES -

1. COVER FOR BASEBOARD No.26 TO BE FITTED WHEN RELAY IS NOT IN USE.
2. WHERE LOOPS ARE NOT USED THE REC. B LINE TERMINAL SHOULD BE JOINED TO EARTH
3. TELEPRINTER MOTOR TO SUIT MAINS VOLTAGE VIZ 100/110V, 200/220V OR 230/250V D.C. MAINS; 100/110V D.C. FOR ALL A.C. MAINS, OR 150/170V WHERE 160V POWER IS AVAILABLE
4. CROSS CONNEXIONS TO SUIT VARIOUS CIRCUIT CONDITIONS ARE REQUIRED AS INDICATED IN FIGS. 1-6

SEE NOTE 4.

TG(L) 4522 FIG.1. MAINS OR 160V POWER FOR MOTOR, 80+80V SUPPLY FOR LINE & LOCAL CURRENT



NOTES:
 WHERE DC MAINS OR 160V POWER IS USED, RECTIFIER TO BE OMITTED & MAINS OR 160V POWER TO BE CONNECTED TO CUT-OUTS No.120A AND THE EARTH LEAD CONNECTED TO THE ASSOCIATED EARTHING TERMINAL

2. LOCAL POWER CONNEXIONS TO BE OMITTED FOR NON RELAYED CIRCUITS.
 3. LINE POWER &, IF REQD, LOCAL POWER FROM 80 + 80V SUPPLY.

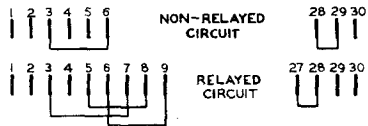
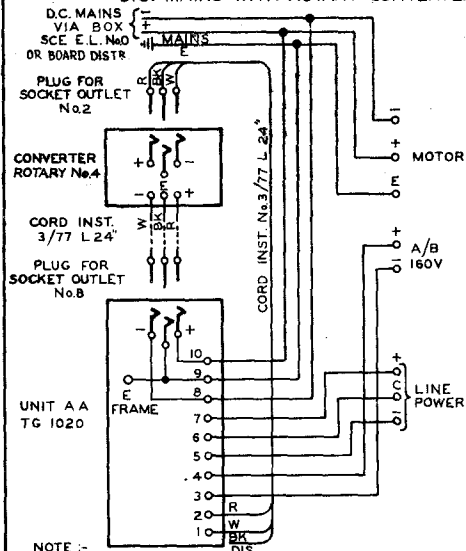
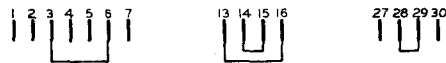


FIG.2. NON-RELAYED CIRCUIT D.C. MAINS WITH ROTARY CONVERTER



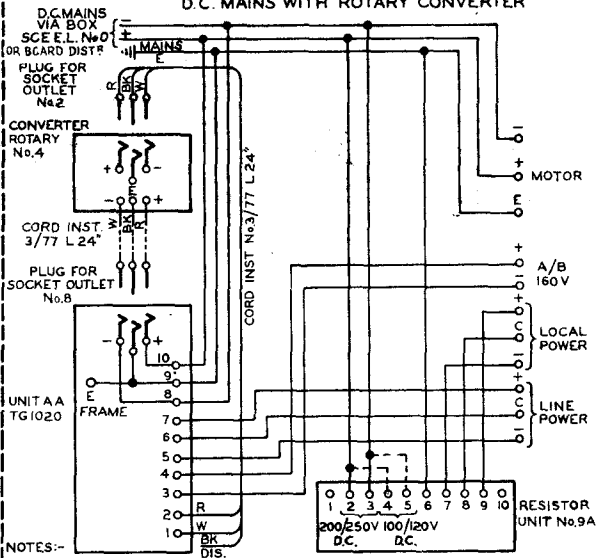
NOTE :-
 LINE POWER 80+80V FROM D.C. MAINS VIA CONVERTER ROTARY No.4 & UNIT AA TG 1020. SEE DGM. TG(L) 1020



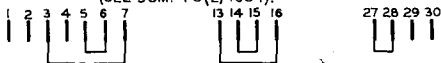
CIRCULATION.

GENERAL

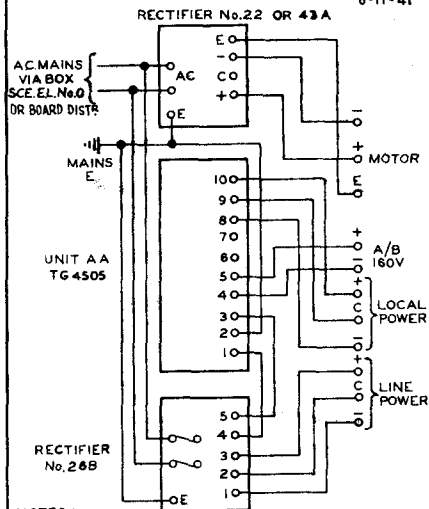
77-4-42	A				
6-11-42	B				
24025	C				
FIGURE NOTES AMENDED					
NOTE 4 ADDED (PANEL I)					
CLEAR KEY ADDED (PANEL I)					
AMENDMENT.					

FIG. 3. RELAYED CIRCUIT
D.C. MAINS WITH ROTARY CONVERTER


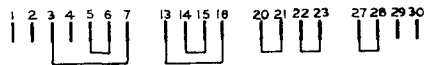
1. LINE POWER 80+80V FROM D.C. MAINS VIA CONVERTER ROTARY No. 4 & UNIT AA TG 1020. (SEE DGM. TG (L) 1020).
2. LOCAL POWER 80+80V FROM DC MAINS VIA RESISTOR UNIT No. 9A. (SEE DGM. TG (L) 1084).



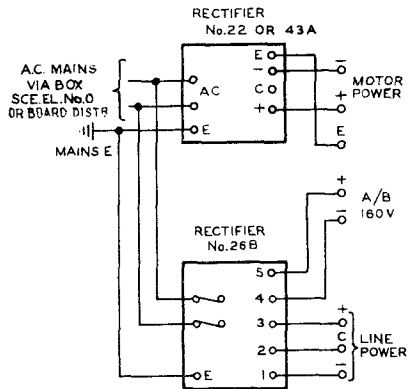
W

FIG. 4. RELAYED CIRCUIT TG(L)4522
AC. MAINS WITH RECTIFIERS 4 PANELS-3
 6-11-41


1. LINE POWER 80+80V D.C. FROM A.C. MAINS VIA RECTIFIER No. 26B (SEE DGM. TG (L) 1058)
2. LOCAL POWER 80+80V D.C. FROM A.C. MAINS VIA RECTIFIER No. 26B & UNIT AA TG 4505 (SEE DGM TG (L) 4505)



TG(L)4522 FIG.5. NON-RELAYED CCT.
4 PANELS - 4
A.C. MAINS WITH
RECTIFIERS



NOTE:- LINE POWER 80 + 80V D.C. FROM A.C. MAINS VIA RECT. No.26B. SEE DGM. TG(L)105B

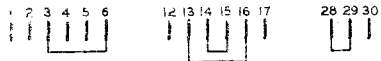
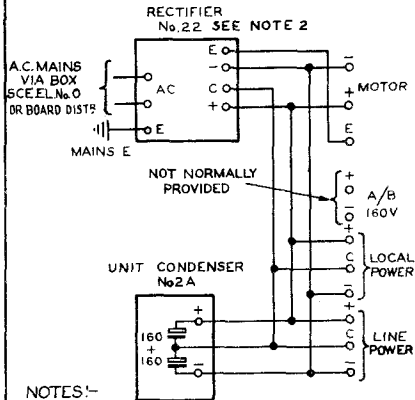
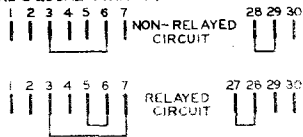


FIG.6. EMERGENCY CIRCUIT
A.C. MAINS WITH RECTIFIER No.22
PROVIDING MOTOR LINE & LOCAL POWER



NOTES:-

1. LINE POWER & IF REQUIRED, LOCAL POWER 55 + 55V D.C. FROM A.C. MAINS VIA RECT. No.22 WITH UNIT COND. 2A AS SMOOTHING UNIT.
2. RECT. No.43A IS NOT SUITABLE FOR SUPPLYING LINE & LOCAL CURRENT.



CIRCULATION

GENERAL

UNIT A.A.TG 4522

PORTABLE 2 WAY SIMPLEX SET FOR TELEPRINTERS No.3

TG(L) 4522

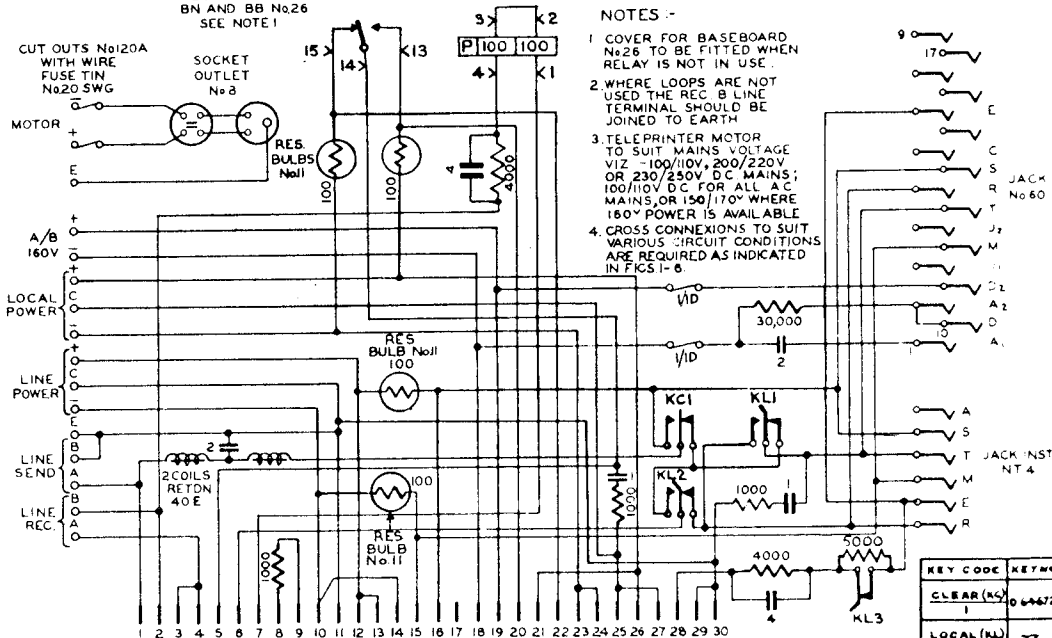
4 PANELS - 1

6-11-41

RELAY STANDARD
BN AND BB No.26
SEE NOTE 1

NOTES :-

- COVER FOR BASEBOARD No.26 TO BE FITTED WHEN RELAY IS NOT IN USE.
- WHERE LOOPS ARE NOT USED THE REC B LINE TERMINAL SHOULD BE JOINED TO EARTH
- TELEPRINTER MOTOR TO SUIT MAINS VOLTAGE VIZ - 100/110V, 200/220V OR 230/250V DC MAINS; 100/110V DC FOR ALL A.C. MAINS, OR 150/170V WHERE 150V POWER IS AVAILABLE
- CROSS CONNEXIONS TO SUIT VARIOUS CIRCUIT CONDITIONS ARE REQUIRED AS INDICATED IN FIGS 1-8.



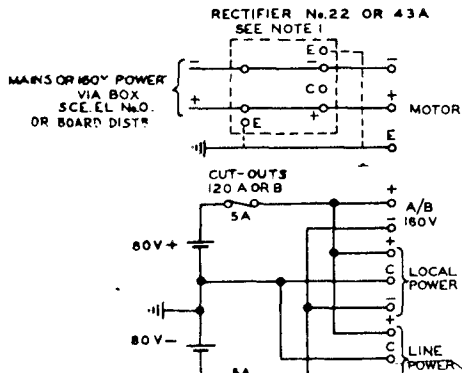
SEE NOTE 4.

7-1-41	A
7-1-42	B
7-2-46	C
PANEL No 1 NOTE 3 AMENDED. FIG 6 NOTES AMENDED.	
NOTE 4 ADDED (PANEL 1)	
CLEAR KEY ADDED (PANEL 1)	
LOCAL KEY & KEY COILING ADDED. NEW SYN. FOR RELAY 6-1-41	
AMENDMENT	

KEY CODE	KEY No.
CLEAR (KL) 1	064672
LOCAL (KL) 3	73

W

TG(L) 4522 FIG. 1. MAINS OR 160V POWER FOR MOTOR; 80+80V SUPPLY FOR LINE & LOCAL CURRENT



NOTES:
1 WHERE DC MAINS OR 160V POWER IS USED, RECTIFIER TO BE OMITTED & MAINS OR 160V POWER TO BE CONNECTED TO CUT-OUTS No. 120A AND THE EARTH LEAD CONNECTED TO THE ASSOCIATED EARTHING TERMINAL.

2 LOCAL POWER CONNECTIONS TO BE OMITTED FOR NON RELAYED CIRCUITS.
3 LINE POWER &, IF REQ'D, LOCAL POWER FROM 80 + 80V SUPPLY.

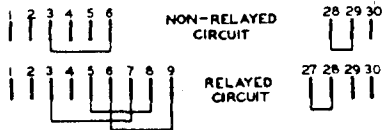
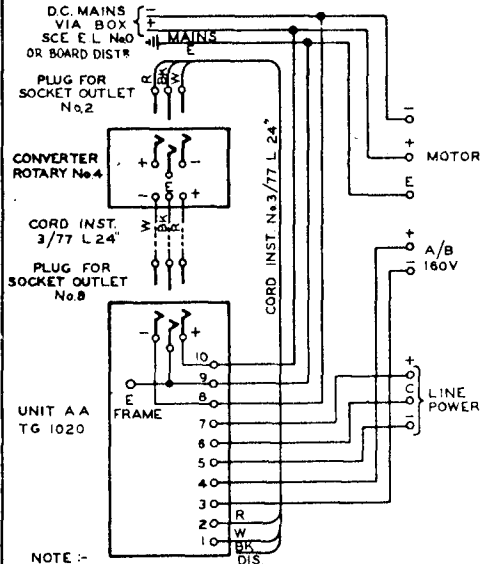
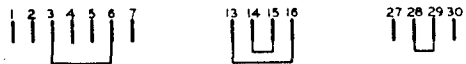


FIG. 2. NON-RELAYED CIRCUIT D.C. MAINS WITH ROTARY CONVERTER



NOTE :-
LINE POWER 80+80V FROM D.C. MAINS VIA CONVERTER ROTARY No. 4 & UNIT AA TG 1020 SEE DGM. TG(L) 1020



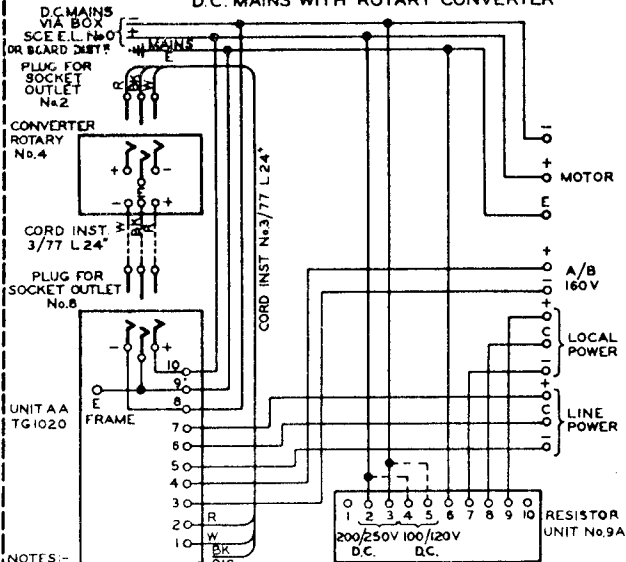
CIRCULATION.

GENERAL

77-4-44				
A	11-1-44			
B	11-1-44			
C	11-1-44			
D	11-1-44			
FIG. TITLE NOTES AMENDED				
NOTE 4 ADDED (PANEL I)				
CLEAR KEY ADDED (PANEL I)				
KEY 'X' ADDED (PANEL I)				
KEY 'Y' ADDED (PANEL I)				
AMENDMENT				

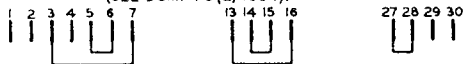
FIG. 3.

RELAYED CIRCUIT
D.C. MAINS WITH ROTARY CONVERTER



NOTES:-

- 1 LINE POWER 80+80V FROM DC MAINS VIA CONVERTER ROTARY No. 4 & UNIT AA TG 1020. (SEE DGM. TG (L) 1020).
- 2 LOCAL POWER 80+80V FROM DC MAINS VIA RESISTOR UNIT No. 9A. (SEE DGM. TG (L) 1084).



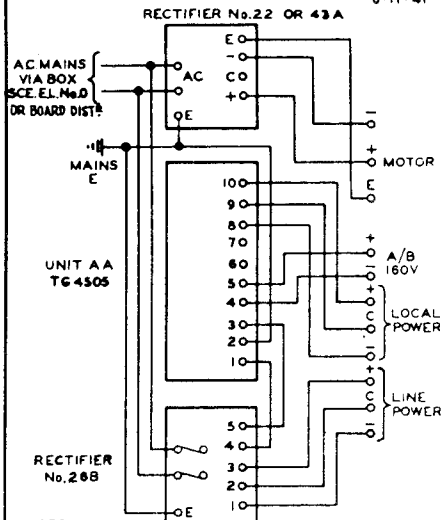
W

FIG. 4. RELAYED CIRCUIT AC. MAINS WITH RECTIFIERS

TG(L)4522

4 PANELS-3

8-11-41

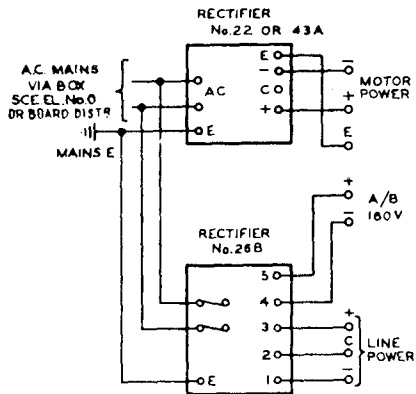


NOTES :-

- 1 LINE POWER 80+80V D.C FROM AC MAINS VIA RECTIFIER No. 26B (SEE DGM. TG (L) 1058)
- 2 LOCAL POWER 80+80V D.C FROM AC MAINS VIA RECTIFIER No. 26B & UNIT AA TG 4505 (SEE DGM. TG (L) 1084)



FIG. 5. NON-RELAYED CCT.
4 PANELS - 4
A.C. MAINS WITH RECTIFIERS



NOTE - LINE POWER 80 + 80V DC FROM A.C. MAINS VIA RECT. No. 26B.
 SEE DGM TG(L)1058

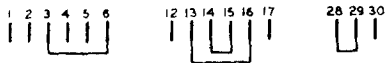
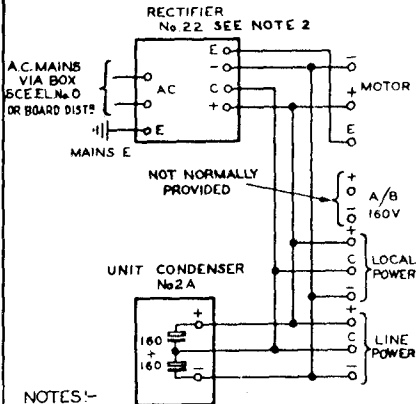


FIG. 6. EMERGENCY CIRCUIT
A.C. MAINS WITH RECTIFIER No. 22
PROVIDING MOTOR LINE & LOCAL POWER



NOTES:-

1. LINE POWER & IF REQUIRED, LOCAL POWER 55 + 55 V DC FROM A.C. MAINS VIA RECT. No. 22 WITH UNIT COND. 2A AS SMOOTHING UNIT.
2. RECT. No. 43A IS NOT SUITABLE FOR SUPPLYING LINE & LOCAL CURRENT.

