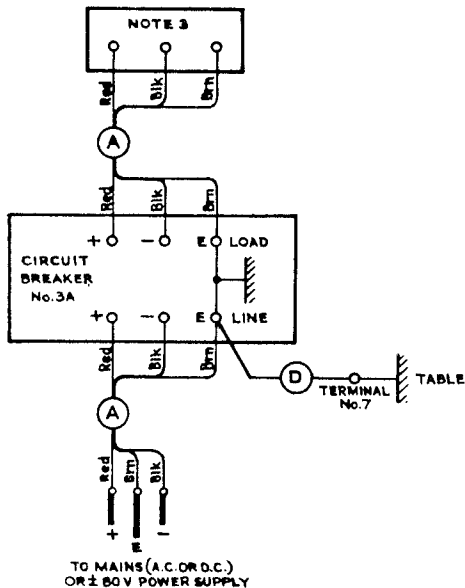


SPECIAL

EQUIPMENT TABLE DTN 2000  
 MODIFICATION TO SUBSTITUTE CIRCUIT BREAKER No.3A  
 FOR BOX SERVICE E.L.No.0.

TG(L)3559  
 17. 8. 49



## NOTES:-

1. THE BOX SERVICE E.L.No.0 WILL BE RECOVERED AND REPLACED BY THE CIRCUIT BREAKER No.3A CONNECTED AS SHOWN.
2. (A) AND (D) SEE DGM TG(L)3525/2.
3. APPROPRIATE CONNEXIONS ON RECTIFIER No.26B (A.C. MAINS), UNIT AUX. APPTS. TG 1020 (D.C. MAINS), OR BLOCK TERMINAL No.20/4 ( $\pm 80V$  SUPPLY) AS SHOWN ON DGMS TG(L)3525/0./18/2

RED