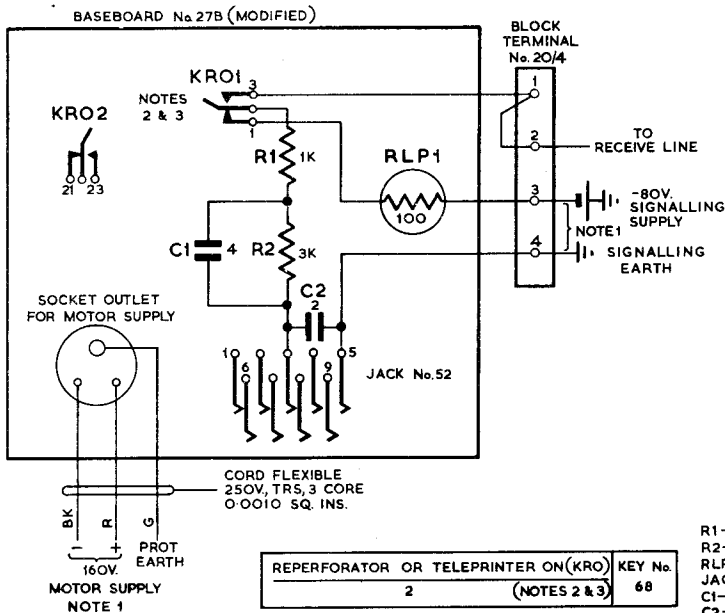


RECEIVING POSITION FOR USE WITH TELEPRINTER No.7B, TG(L) 3550 REPERFORATOR No.2, OR PRINTING REPERFORATOR No.2.

CIRCULATION GENERAL
 SUFFIX
 QUAF 13.5.57
 REDRAWN REVISED TO COVER USE WITH TPTR AND BRING WIRING TO CURRENT STANDARD. TITLE AMENDED.
 AMENDT.
 PAPER W



NOTES:-

- POWER SUPPLIES TO BE OBTAINED AS FOR A TELEPRINTER POSITION; SEE DGM. TG(L) 3525/3 OR EQUIVALENT. MOTOR SUPPLY MUST BE VIA CIRCUIT BREAKER No.3A.
- OMIT KEY KRO AND RESISTOR RLP1 AND CONNECT RESISTOR R1 DIRECT TO TERMINAL 1 WHEN SWITCHING FACILITY NOT REQUIRED.
- WIRING ON KRO SPRINGS 1 AND 3 MAY BE REVERSED TO DISCONNECT MACHINE FROM LINE ON OPERATING KEY.
- WIRING NOT OTHERWISE SHOWN TO BE WIRE P.V.C. No.1, 1 WIRE/12½. -80V. BLACK, SIG EARTH RED, OTHER WIRING GREEN.
- IF RECEIVE LINE CURRENT UNDER SIGNALLING CONDITIONS IS LESS THAN 16 mA, SHORT CIRCUIT RESISTOR R1.
- FOR ADDITIONAL EQUIPMENT FOR TAPE EXHAUSTION ALARM ON PRINTING REPERFORATOR No.2 SEE DGM. TG(L) 1183.

R1-RESISTOR COIL No.9-1000 OHMS.
 R2-RESISTOR COIL No.12-3000 OHMS.
 RLP1-RESISTOR BULB No.11-100 OHMS IN JACK LAMP No.12.
 C1-CAPACITOR M.C. No.103 OR 103A.
 C2-CAPACITOR M.C. No.102.

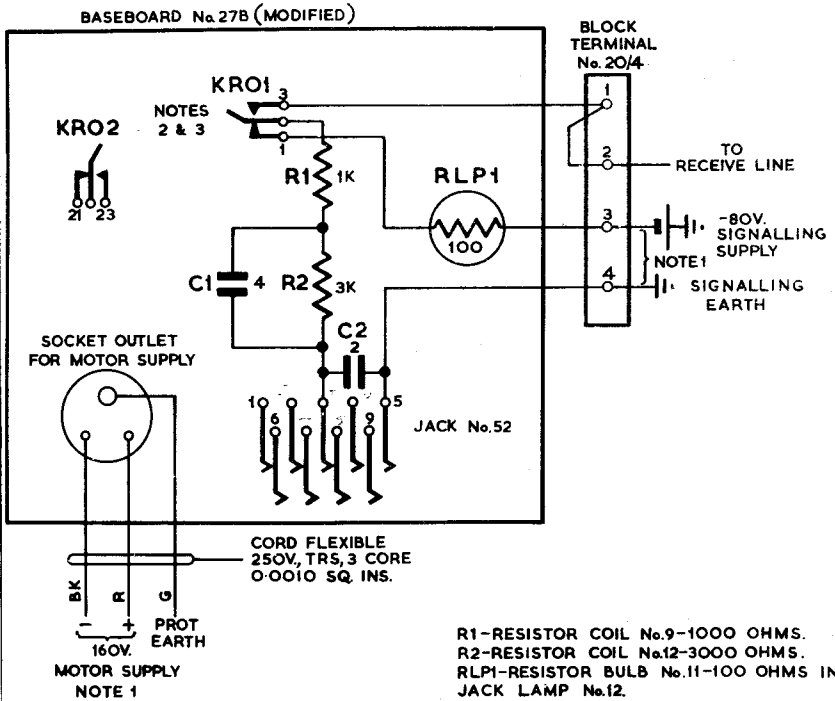
REPERFORATOR OR TELEPRINTER ON (KRO)	KEY No.
2 (NOTES 2 & 3)	68

RECEIVING POSITION FOR USE WITH TG(L) 3550 TELEPRINTER No.7B, REPERFORATOR No.2, OR PRINTING REPERFORATOR No.2.

PAGE 1
ISSUE B

NOTES:-

- POWER SUPPLIES TO BE OBTAINED AS FOR A TELEPRINTER POSITION, SEE DGM. TG (L) 3525/3 OR EQUIVALENT. MOTOR SUPPLY MUST BE VIA CIRCUIT BREAKER No.3A.
- OMIT KEY KRO AND RESISTOR RLP1 AND CONNECT RESISTOR R1 DIRECT TO TERMINAL 1 WHEN SWITCHING FACILITY NOT REQUIRED.
- WIRING ON KRO SPRINGS 1 AND 3 MAY BE REVERSED TO DISCONNECT MACHINE FROM LINE ON OPERATING KEY.
- WIRING NOT OTHERWISE SHOWN TO BE WIRE P.V.C. No.1, 1 WIRE/12½. -80V. BLACK, SIG EARTH RED, OTHER WIRING GREEN.
- IF RECEIVE LINE CURRENT UNDER SIGNALLING CONDITIONS IS LESS THAN 16 mA, SHORT CIRCUIT RESISTOR R1.
- FOR ADDITIONAL EQUIPMENT FOR TAPE EXHAUSTION ALARM ON PRINTING REPERFORATOR No.2 SEE DGM. TG (L) 1183.



P.O.E.D.
S. BCH.

REPERFORATOR OR TELEPRINTER ON (KRO)	KEY No.
2 (NOTES 2 & 3)	68

PAPER - W
CIRCULATION -
GENERAL

ISSUE		
B	NEW FORMAT	31-1-67
A	REDRAWN TO COVER USE WITH TP-TR AND BRING WIRING TO CURRENT STD. TITLE AMENDED. J.C.K. H. E. W.	19-3-57 26-2-44