

| | | | | | | | | |
|-------|---|-------|-----------|---------------------------------------|----------|---|---------|-------------|
| PAPER | W | Amend | REVERSED. | TAGS 2 & 3 ON BLOCK TERMINAL No. 20/8 | 20-10-44 | A | GENERAL | CIRCULATION |
| | | | REVERSED. | REVERSED. | 20-10-44 | A | GENERAL | CIRCULATION |

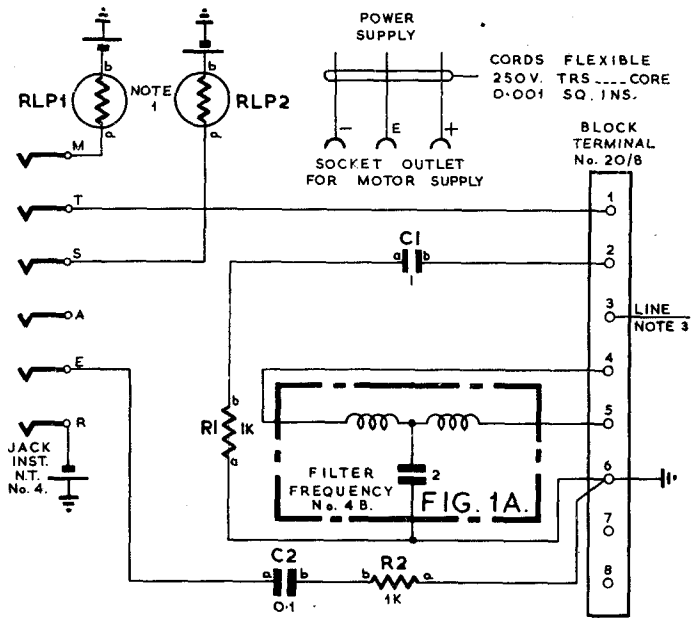
WIRING OF AUTO TRANSMITTER POSITION

FIG.1. WHEN USED WITH EQUIPMENT TABLE DTN 2000

TG(L)3549

2 PANELS - 1

26-2-44



NOTES :-

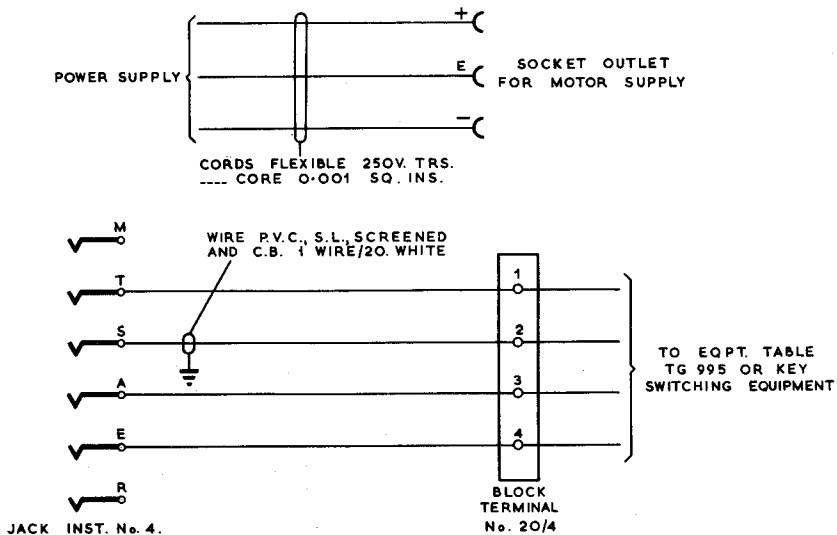
1. RLP1 AND 2 ARE RESISTORS BULB No.11. 100 OHMS. AND ARE NOT REQUIRED IF $\pm 80V$ IS OBTAINED FROM RECTIFIER No.26B. R1 & R2 ARE RESISTOR SPOOL No. 6. 1000 OHMS.
2. ALL WIRING TO BE IN WIRE P.V.C. No.1. 1 WIRE/12 1/2 UNLESS OTHERWISE STATED.
3. FOR SENDING WITHOUT SPARK QUENCH OR FILTER STRAP TERMINALS 1 & 3 FOR SENDING WITH SPARK QUENCH BUT WITHOUT FILTER STRAP TERMINALS 1, 2 & 3. FOR SENDING WITH SPARK QUENCH AND FILTER STRAP TERMINALS 1, 2 & 4, AND 3 & 5.
4. WHEN A TRANSMITTER AUTO. No. 2E IS USED. IT MUST BE CONNECTED BY MEANS OF AN ADAPTER No.15. DGM. TG/TGW 1277.
5. IF IT IS NECESSARY TO USE A TRANSMITTER AUTOMATIC No. 2E. IN CONJUNCTION WITH EQUIPMENT TABLE TG 995, FIG.2. MUST BE MODIFIED IN ACCORDANCE WITH TG(L)1301 OR EQUIVALENT.

TG(L) 3549

2 PANEL-2

WIRING OF AUTO TRANSMITTER POSITION

FIG. 2. WHEN USED WITH EQUIPMENT TABLE TG 995 (NOTE 5)



CIRCULATION
GENERAL

Suffix
A
B
C
D

20-10-44
REDAWN. PANEL 2 ADDED. REF. TO WD MACHINES DELETED.
REDAWN. FIG. 1 NOW ALLOWS FOR USING TRANS. AUTO. NO. 2E
TAGS 2 & 3 ON BLOCK TERMINAL No. 20/8
REVERSED.
PANEL 3 ADDED. MINOR AMENDMENTS.

Amend.
W

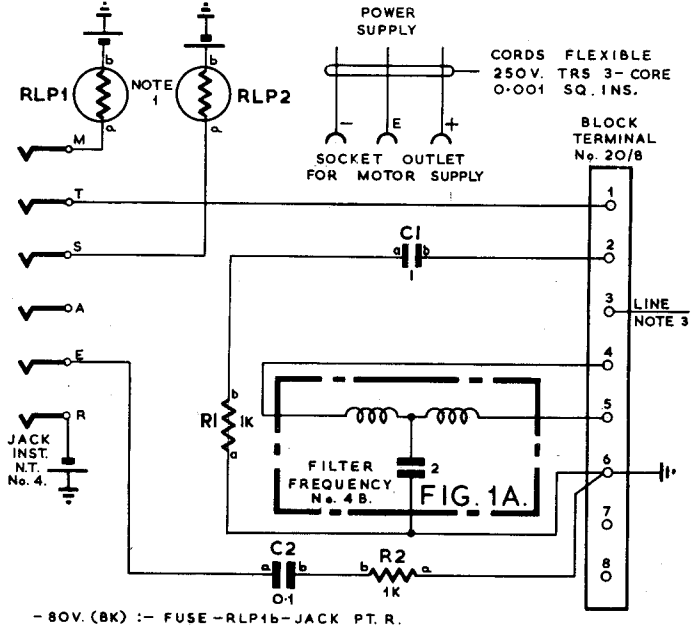
PAPER

WIRING OF AUTO TRANSMITTER POSITION

FIG.1 TRANSMITTER AUTOMATIC No.2D OR EQUIVALENT

WHEN USED WITH EQUIPMENT TABLE DTN 2000

TG (L)3549
3 PANELS - 1
26 - 2 - 44

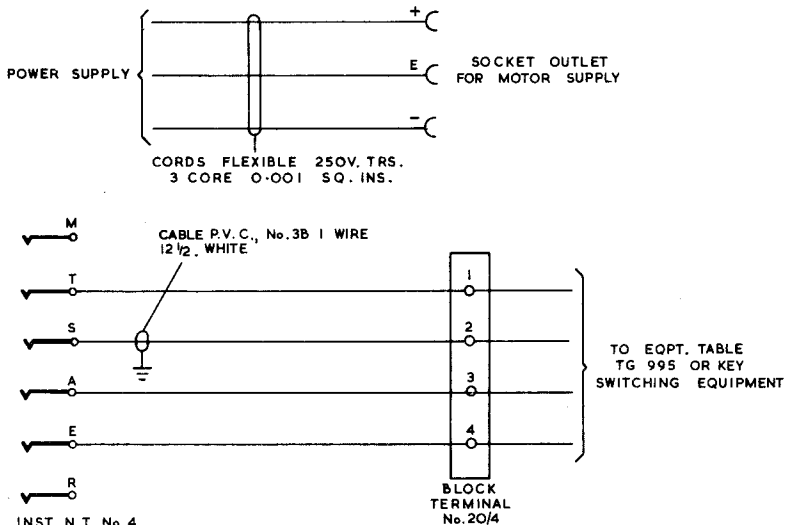


NOTES :-

1. RLP1 AND 2 ARE RESISTORS BULB No.11. 100 OHMS. AND ARE NOT REQUIRED IF $\pm 80V$ IS OBTAINED FROM RECTIFIER No.26B. R1 & R2 ARE RESISTOR SPOOL No. 6. 1000 OHMS.
2. ALL WIRING TO BE WIRE P.V.C No.3 1 WIRE /12 1/2 UNLESS OTHERWISE STATED.
3. FOR SENDING WITHOUT SPARK QUENCH OR FILTER STRAP TERMINALS 1 & 3. FOR SENDING WITH SPARK QUENCH BUT WITHOUT FILTER STRAP TERMINALS 1,2 & 3. FOR SENDING WITH SPARK QUENCH AND FILTER STRAP TERMINALS 1,2 & 4, AND 3 & 5.

WIRING OF AUTO TRANSMITTER POSITION

FIG. 2. TRANSMITTER AUTOMATIC No. 2D OR EQUIVALENT
WHEN USED WITH EQUIPMENT TABLE TG 995 (NOTE 1)



NOTES:-

JACK INST. N.T, No. 4.

1. IF IT IS NECESSARY TO USE A TRANSMITTER AUTOMATIC No. 2E IN CONJUNCTION WITH EQUIPMENT TABLE TG 995, FIG. 2 MUST BE MODIFIED IN ACCORDANCE WITH DGM. TG. 1301 OR EQUIVALENT.

| | |
|-------------|---------|
| CIRCULATION | GENERAL |
| | Suffix |
| PAPER | Amendt |
| | W |
| | |
| | |
| | |
| | |
| | |
| | |
| | |
| | |

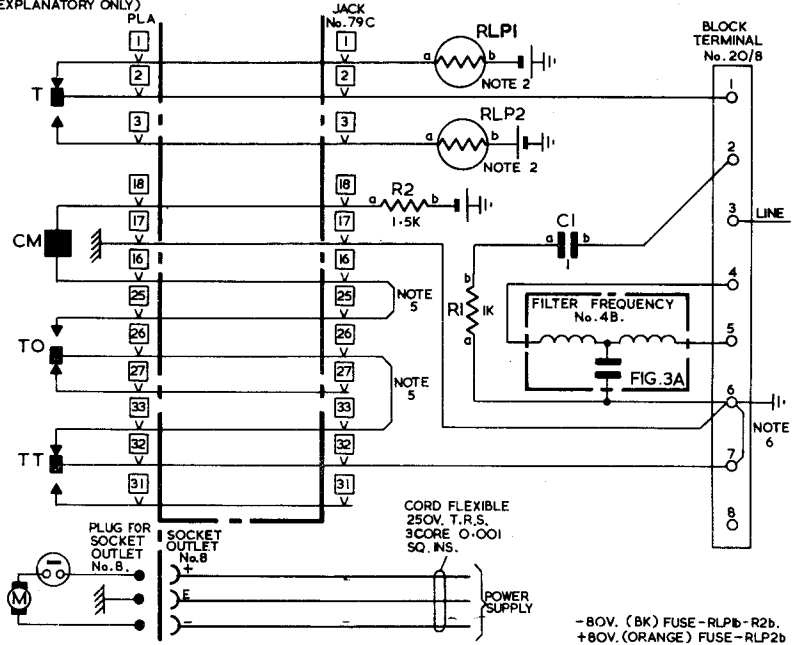
PAGES 2 & 3 ON BLOCK TERMINAL No. 302/B REVISED.
 PANEL 3 ADDED. OUTRIG REVISIONS.

XMTR.
 AUTO No.2F OR
 EQUIV.
 DGM. TG(L) 1328
 (EXPLANATORY ONLY)

CORD
 TEST No. 33/60
 OR EQUIV.
 (EXPLANATORY ONLY)

WIRING OF AUTO XMTR. POSITION FIG.3 TRANSMITTER AUTOMATIC No.2F OR EQUIV WHEN USED WITH EQUIPMENT TABLE DTN 2000

TG (L) 3549
 3 PANELS-3



NOTES :-

1. ALL WIRING TO BE WIRE P.V.C. No. 3 1W/12/2 UNLESS OTHERWISE STATED.
2. RLP1 AND 2 ARE RESISTORS BULB No.11, 100 OHMS AND ARE NOT REQUIRED IF 180V IS OBTAINED FROM RECTIFIER No. 26B.
3. R1-RESISTOR SPOOL No.6. R2-RESISTOR COIL No.9.
4. FOR SENDING WITHOUT SPARK QUENCH OR FILTER STRAP TERMINALS 1 AND 3. FOR SENDING WITH SPARK QUENCH BUT WITHOUT FILTER STRAP TERMINALS 1, 2 & 3. FOR SENDING WITH SPARK QUENCH & FILTER STRAP TERMINALS 1, 2 & 4 AND 3 & 5.
5. STRAP TAGS 16 & 25 AND TAGS 26 & 33 ON JACK No. 79C.
6. WHEN USED IN CONJUNCTION WITH TG(L) 3022 PANEL 3 REMOVE STRAP BETWEEN TERMINALS 6 & 7.
7. XMTR. AUTO. No.2F OR EQUIV. SHOULD BE USED IN ACCORDANCE WITH E.I. TELEGRAPHS P.W.S & TELEX A 3115

-80V. (BK) FUSE -RLP1b-R2b.
 +80V. (ORANGE) FUSE -RLP2b

WIRING OF AUTO TRANSMITTER POSITION

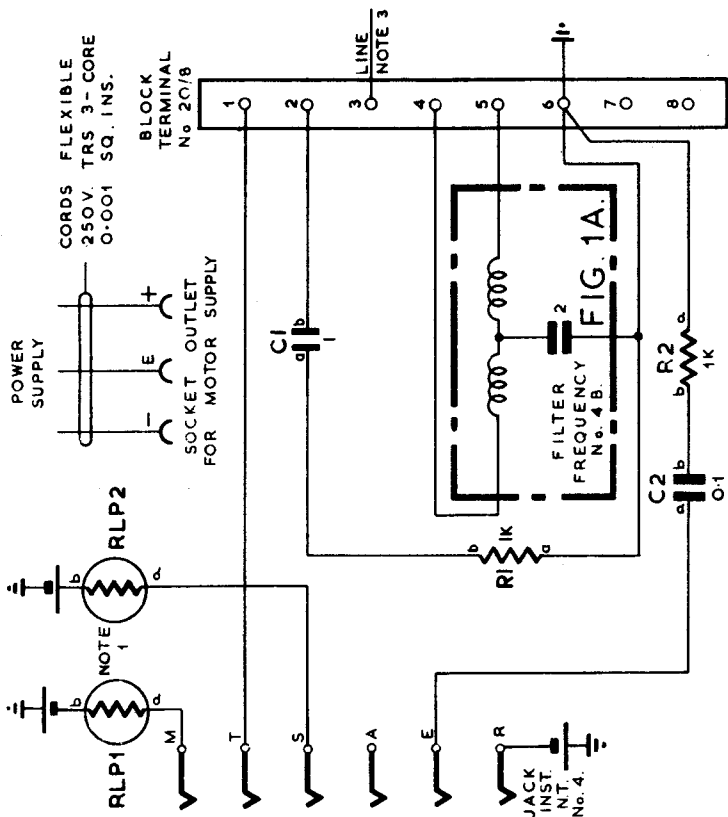
TG(L)3549

PAGE 1-3
ISSUE E

NOTES :-

1. RLP1 AND 2 ARE RESISTORS BULB No.11, 100 OHMS, AND ARE NOT REQUIRED IF 180V IS OBTAINED FROM RECTIFIER No.208. R1 & R2 ARE RESISTOR SPOOL No. 6, 1000 OHMS.
2. ALL WIRING TO BE WIRE P.V.C No.3 1 WIRE /12 1/2 UNLESS OTHERWISE STATED.
3. FOR SENDING WITHOUT SPARK QUENCH OR FILTER STRAP TERMINALS 1 & 3, FOR SENDING WITH SPARK QUENCH BUT WITHOUT FILTER STRAP TERMINALS 1,2 & 3, FOR SENDING WITH SPARK QUENCH AND FILTER STRAP TERMINALS 1,2 & 4, AND 3 & 5.

FIG.1 TRANSMITTER AUTOMATIC No.2D OR EQUIVALENT WHEN USED WITH EQUIPMENT TABLE DTN 2000



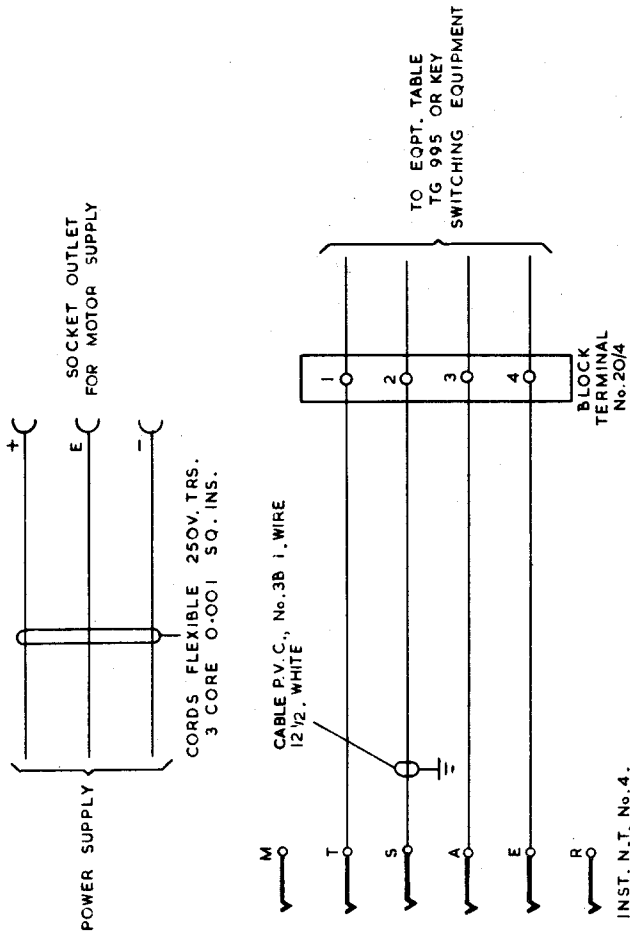
- 80V. (BK) :- FUSE - RLP1b - JACK P.T.R.

POED
TG BCH

PAPER:- W
CIRCULATION:-
GENERAL

| ISSUE | | |
|-------|-------------------------------------|----------|
| E | NEW FORMAT | 2-3-66 |
| D | PANEL 3 ADDED MINOR AMENDMENTS | 12-1-61 |
| C | TAGS 2 & 3 ON B/T No. 20/8 REVERSED | 16-10-67 |

FIG. 2. TRANSMITTER AUTOMATIC No. 2D OR EQUIVALENT
WHEN USED WITH EQUIPMENT TABLE TG 995 (NOTE 1)



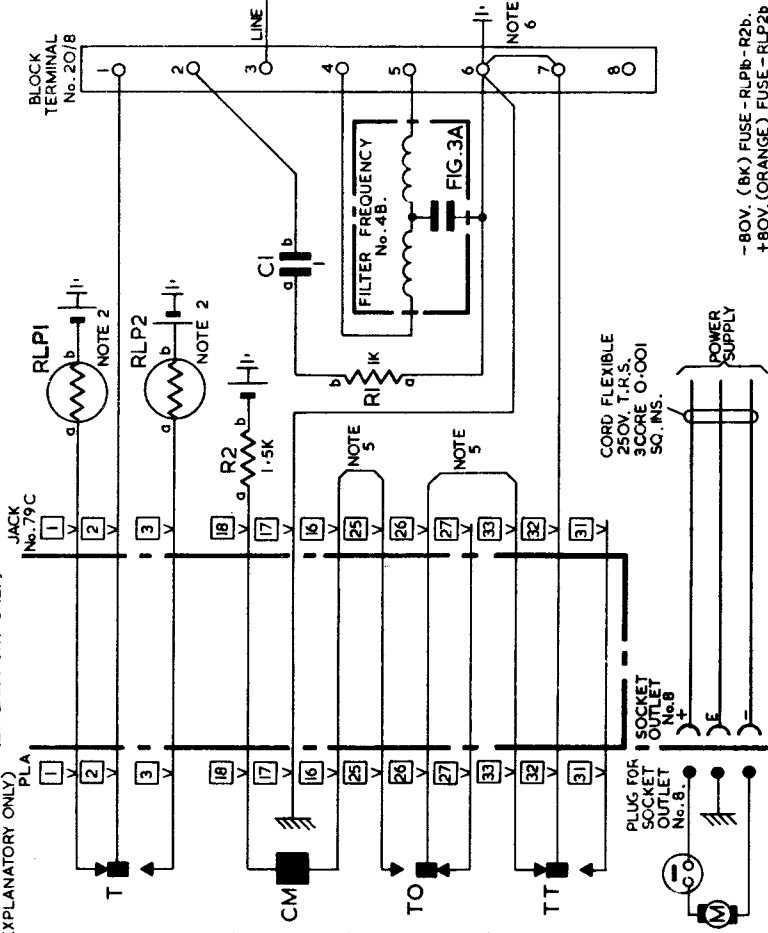
NOTES:-

JACK INST. N.T. No. 4.

1. IF IT IS NECESSARY TO USE A TRANSMITTER AUTOMATIC No. 2E IN CONJUNCTION WITH EQUIPMENT TABLE TG 995 FIG. 2 MUST BE MODIFIED IN ACCORDANCE WITH DGM. TG. 1301 OR EQUIVALENT.

XMTR.
AUTO No. 2F OR
TEST No. 33/60
OR EQUIV
DGM. TG(L) 1328
(EXPLANATORY ONLY)

FIG. 3 TRANSMITTER AUTOMATIC No. 2F OR EQUIV
WHEN USED WITH EQUIPMENT TABLE DTN 2000



NOTES:-

1. ALL WIRING TO BE WIRE
TYPE, NO. 18 AWG. ALL
WIRE TO BE WIRE, NO. 18 AWG.
UNLESS OTHERWISE STATED.
2. RLP1 AND 2 ARE RESISTORS
R1K & R2K. R1K & R2K
SHOULD NOT BE OBTAINED FROM
RECTIFIER No. 26B.
3. R1-RESISTOR SPOOL No. 6.
R2-RESISTOR COIL No. 9.
4. FOR SENDING WITHOUT SPARK
QUENCH OR FILTER STRAP
TERMINALS 1 AND 3. FOR
SENDING WITH SPARK
QUENCH BUT WITHOUT
FILTER STRAP TERMINALS
1, 2 & 3. FOR SENDING
WITH SPARK QUENCH &
FILTER STRAP TERMINALS
1, 2 & 4 AND 3 & 5.
5. STRAP TAGS 16 & 25 AND
TAGS 26 & 33 ON JACK
No. 79C.
6. WHEN USED IN CONJUNCTION
WITH TG(L) 3022 PANEL 3
REMOVE STRAP BETWEEN
TERMINALS 6 & 7.
7. XMTR. AUTO. No. 2F OR
EQUIV. SHOULD BE USED
IN ACCORDANCE WITH E.I.
TELEGRAPH'S P.M.S. &
TELEX A 315

- 80V. (BK) FUSE - RLP1 - R2b.
+ 80V. (ORANGE) FUSE - RLP2b