

CIRCULATION

GENERAL

# TELETYPE ADAPTER SCHEMATIC.

TG(L)3542  
4 PANELS-1.  
8-10-42

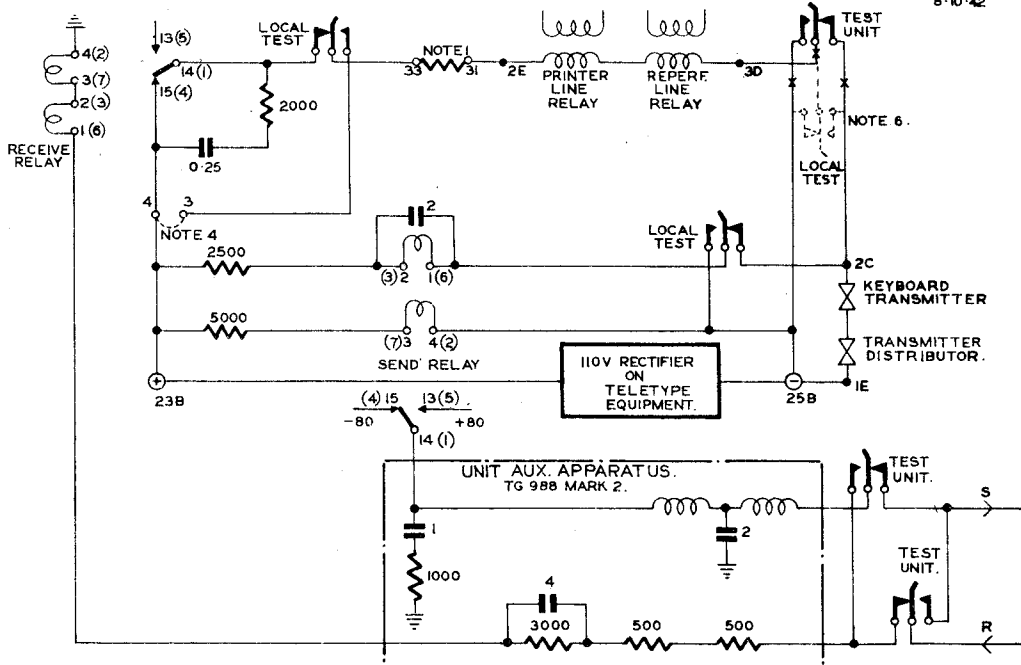

Panel C  
9 L.A.C.  
3 TRANS B  
2 TRANS B  
3 TRANS B  
2 TRANS B  
2 TRANS B

Panel B  
3 TRANS B  
3 TRANS B  
3 TRANS B  
3 TRANS B  
3 TRANS B  
3 TRANS B

Panel A  
3 TRANS B  
3 TRANS B  
3 TRANS B  
3 TRANS B  
3 TRANS B  
3 TRANS B

AMENDMENT

W



TG(L)3542

4 PANELS-2

NOTES.

1. TERMINALS 31 AND 33 ARE ON THE TELETYPE INSTRUMENT BASE. TERMINALS 1E, 2E, 2C, 3D, 23B, 25B, ARE ON THE TABLE EQUIPMENT. THE TELETYPE TERMINAL NUMBERING SHOWN APPLIES TO THE MODEL M19. CONNEXION SHOULD BE MADE TO THE EQUIVALENT TERMINALS IN THE CASE OF OTHER MODELS.
2. RELAY TERMINAL NUMBERS IN BRACKETS REFER TO AMERICAN TYPE 255A OTHERS TO P.O. No. 320AN.
3. DOTTED CONNEXIONS INDICATE CABLING WHERE AN 80+80 VOLT SUPPLY EXISTS. RECTIFIER No. 26.B. IS NOT THEN REQUIRED.
4. WHERE THE TELETYPE IS NOT FITTED WITH A "LINE-TEST" KEY, STRAP TERMINALS 3 AND 4 ON THE BLOCK TERMINAL No. 20/B.
5. FOR USE AS OPERATOR'S MACHINE FOR SWITCHBOARD, TELEPRINTER. No. 13. THE ADAPTER SHOULD BE WIRED IN ACCORDANCE WITH PANEL 3.
6. ALTERNATIVE CONNEXIONS SHOWN DOTTED INDICATE SCHEMATIC ARRANGEMENT OF PANEL 3. POINTS —X— ARE DISCONNECTED.
7. STRAP TERMINALS D AND G ON UNIT AUX. APPARATUS TG 988 MARK. 2.
8. FOR COMPONENT LAYOUT OF 2-ADAPTER PANEL SEE DGM. DTN. 1261.
9. FOR COMPONENT LAYOUT OF 4-ADAPTER PANEL SEE DGM. DTN. 1250.

CIRCULATION

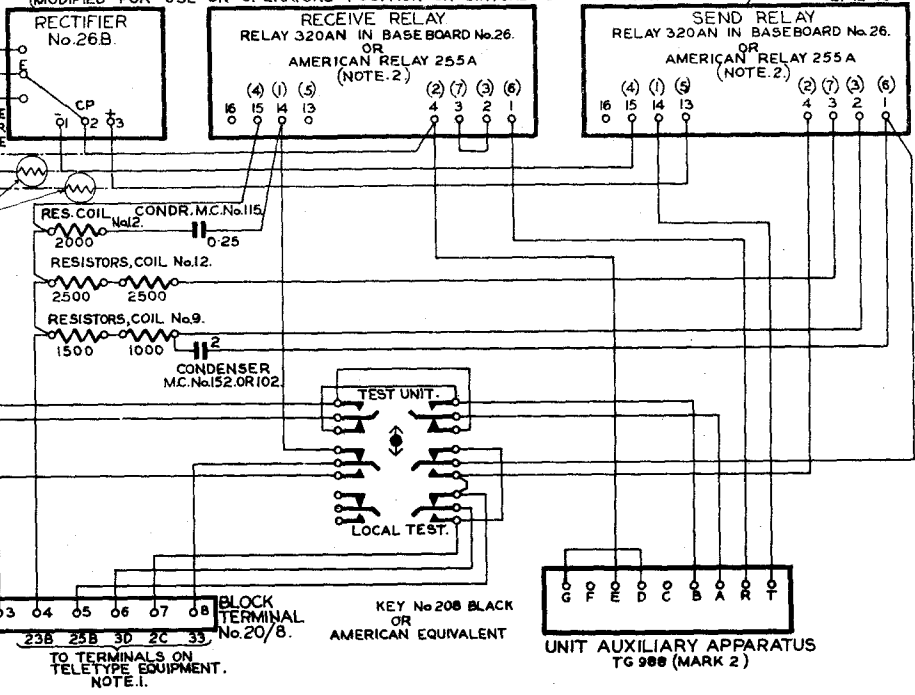
GENERAL

TG(L)3542

4 PANELS-3  
21-12-43

# TELETYPE ADAPTER WIRING

(MODIFIED FOR USE ON OPERATOR'S POSITION ON SWITCHBOARD TELEPRINTER No.3.)



211243MB

C							
B							
A							
N							
M							

See Panel 1.  
See Panels 7 & 2.

**AMENDMENT.**

W

TG(L)3542  
4 PANELS -4

TELETYPE ADAPTER WIRING.

