

CIRCULATION.

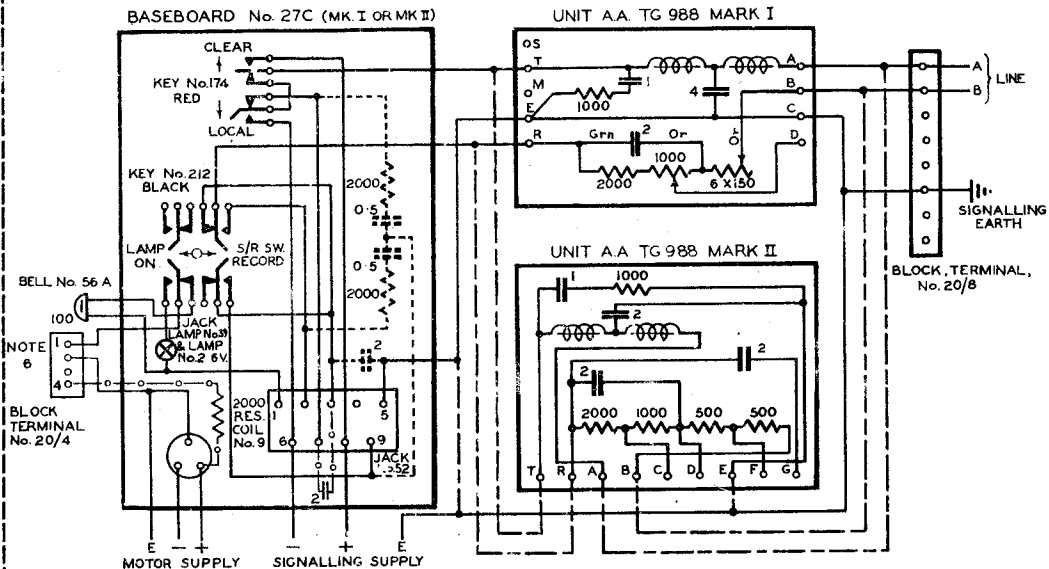
EQUIPMENT TABLE DTN 2000 MODIFICATION TO OMIT LOCAL RECORD VIA THE SEND-RECEIVE SWITCH

TG(L) 3526
2 PANELS-2

NO.	REVISION	DATE	BY	DESCRIPTION
B				LAMP & BELL SUPPLY & BASEBOARD No. 27C (MK I & MK II) DETAILS AMENDED. NOTES 6, 7 & 8 ADDED. 13-7-41/A

2 mF CONDENSERS REWIRED IN PARALLEL

AMENDMENT.



TG(L)3526

2 PANELS-1

NOTES.

1. ——— INDICATES CONNEXIONS IF UNIT AA TG 988. MARK II USED INSTEAD OF MARK I.
2. FOR SCHEMATIC WIRING OF TELEPRINTER No. 7 SEE DIAG. TG(L)1101.
3. KEY 212 TO BE OPERATED TO S/R SW. RECORD POSITION TO RESTORE TABLE TO DTN 2000.
4. FOR NOTES ON UNIT AA TG 988 MARK II SEE DIAG TG(L)3525.
5. THIS MODIFICATION SHOULD NOT BE USED WHERE AN EQUIPMENT TABLE DTN 2000 IS USED IN PLACE OF AN EQUIPMENT TABLE TG1017. PERMANENT ALTERATION OF WIRING SHOULD BE MADE IN THIS CASE.
6. LAMP & BELL SUPPLY TO BE AS SHOWN IN DGM. TG(L)3525/1, FIG. 2.
7. - - - - - INDICATES CONNEXIONS IN BASEBOARD No. 27C. MK. I.
8. —○— INDICATES CONNEXIONS IN BASEBOARD No. 27C. MK. II.

EQUIPMENT TABLE DTN. 2000
 MODIFICATION TO OMIT LOCAL RECORD VIA THE
 SEND-RECEIVE SWITCH.

TG(L) 3526

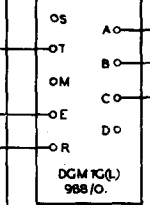
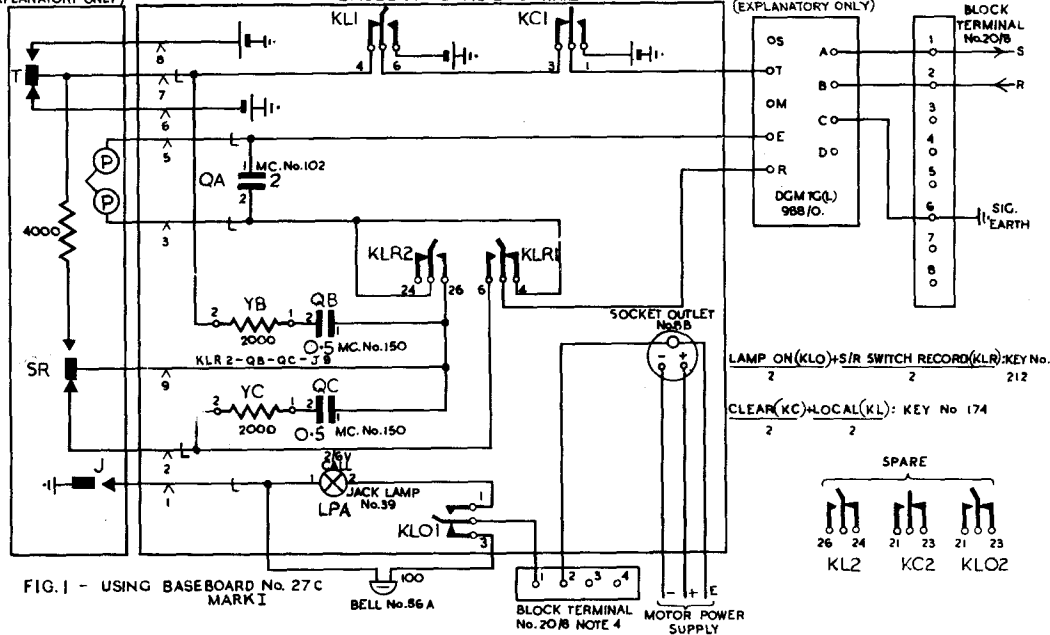
3 PANELS-1 7541

CIRCULATION	
Suffix	
D	C
REMARKS: SET NO. 2000 REPAIRS KEY NO. 225 CONNECTIONS TO KEY NO. 174 AS SHOWN IN FIG. 1. NOTE: KEY NO. 174 IS NOT SHOWN IN FIG. 1. REDRAWN - NOTES 7 & 8 DELETED.	
Amend.	
PAPER	W

TELEPRINTER
 (EXPLANATORY ONLY)

BASEBOARD No. 27C MK. I

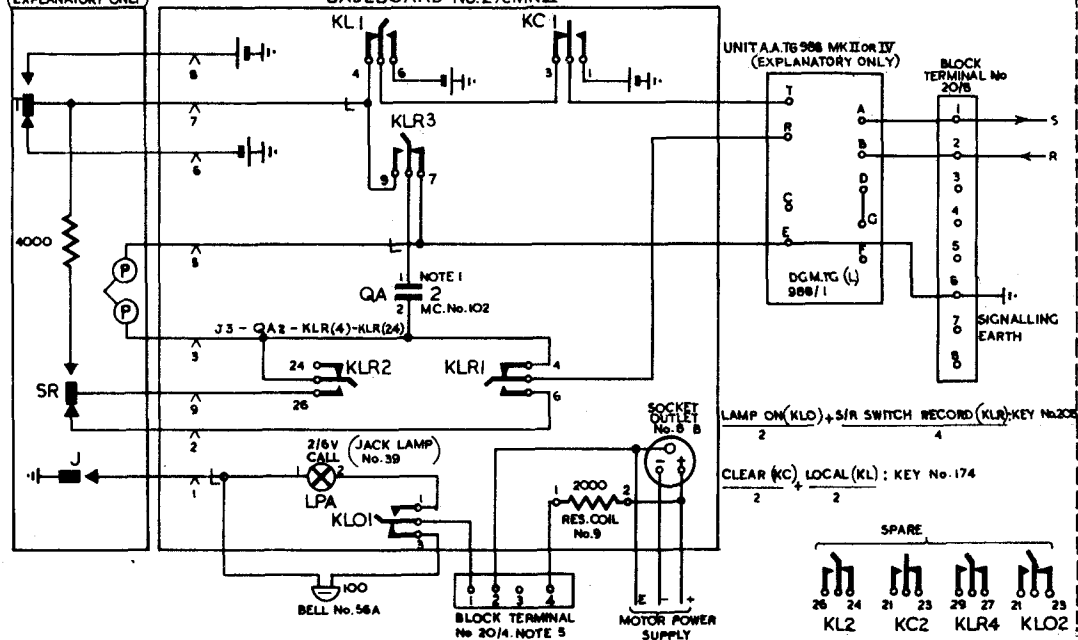
UNIT A.A. TG 988 MK I
 (EXPLANATORY ONLY)



TG(L) 3526
3 PANELS-2

FIG. 2 - USING BASEBOARD No. 27c MK II

TELEPRINTER
(EXPLANATORY ONLY)



EQUIPMENT TABLE DTN. 2000
MODIFICATION TO OMIT LOCAL RECORD VIA THE
SEND-RECEIVE SWITCH

TG(L) 3526

3 PANELS - 3.
754

CIRCULATION	
Suffix	D C
REVISION: KEY NO. 208 REPLACES KEY NO. 212 & CONNECTIONS FOR SA. IN ASSAULTS OF PL. UNITS. 1. 7. 8. 9. 10. 11. 12. 13. 14. 15. 16. 17. 18. 19. 20. 21. 22. 23. 24. 25. 26. 27. 28. 29. 30. 31. 32. 33. 34. 35. 36. 37. 38. 39. 40. 41. 42. 43. 44. 45. 46. 47. 48. 49. 50. 51. 52. 53. 54. 55. 56. 57. 58. 59. 60. 61. 62. 63. 64. 65. 66. 67. 68. 69. 70. 71. 72. 73. 74. 75. 76. 77. 78. 79. 80. 81. 82. 83. 84. 85. 86. 87. 88. 89. 90. 91. 92. 93. 94. 95. 96. 97. 98. 99. 100. 101. 102. 103. 104. 105. 106. 107. 108. 109. 110. 111. 112. 113. 114. 115. 116. 117. 118. 119. 120. 121. 122. 123. 124. 125. 126. 127. 128. 129. 130. 131. 132. 133. 134. 135. 136. 137. 138. 139. 140. 141. 142. 143. 144. 145. 146. 147. 148. 149. 150. 151. 152. 153. 154. 155. 156. 157. 158. 159. 160. 161. 162. 163. 164. 165. 166. 167. 168. 169. 170. 171. 172. 173. 174. 175. 176. 177. 178. 179. 180. 181. 182. 183. 184. 185. 186. 187. 188. 189. 190. 191. 192. 193. 194. 195. 196. 197. 198. 199. 200. 201. 202. 203. 204. 205. 206. 207. 208. 209. 210. 211. 212. 213. 214. 215. 216. 217. 218. 219. 220. 221. 222. 223. 224. 225. 226. 227. 228. 229. 230. 231. 232. 233. 234. 235. 236. 237. 238. 239. 240. 241. 242. 243. 244. 245. 246. 247. 248. 249. 250. 251. 252. 253. 254. 255. 256. 257. 258. 259. 260. 261. 262. 263. 264. 265. 266. 267. 268. 269. 270. 271. 272. 273. 274. 275. 276. 277. 278. 279. 280. 281. 282. 283. 284. 285. 286. 287. 288. 289. 290. 291. 292. 293. 294. 295. 296. 297. 298. 299. 300. 301. 302. 303. 304. 305. 306. 307. 308. 309. 310. 311. 312. 313. 314. 315. 316. 317. 318. 319. 320. 321. 322. 323. 324. 325. 326. 327. 328. 329. 330. 331. 332. 333. 334. 335. 336. 337. 338. 339. 340. 341. 342. 343. 344. 345. 346. 347. 348. 349. 350. 351. 352. 353. 354. 355. 356. 357. 358. 359. 360. 361. 362. 363. 364. 365. 366. 367. 368. 369. 370. 371. 372. 373. 374. 375. 376. 377. 378. 379. 380. 381. 382. 383. 384. 385. 386. 387. 388. 389. 390. 391. 392. 393. 394. 395. 396. 397. 398. 399. 400. 401. 402. 403. 404. 405. 406. 407. 408. 409. 410. 411. 412. 413. 414. 415. 416. 417. 418. 419. 420. 421. 422. 423. 424. 425. 426. 427. 428. 429. 430. 431. 432. 433. 434. 435. 436. 437. 438. 439. 440. 441. 442. 443. 444. 445. 446. 447. 448. 449. 450. 451. 452. 453. 454. 455. 456. 457. 458. 459. 460. 461. 462. 463. 464. 465. 466. 467. 468. 469. 470. 471. 472. 473. 474. 475. 476. 477. 478. 479. 480. 481. 482. 483. 484. 485. 486. 487. 488. 489. 490. 491. 492. 493. 494. 495. 496. 497. 498. 499. 500. 501. 502. 503. 504. 505. 506. 507. 508. 509. 510. 511. 512. 513. 514. 515. 516. 517. 518. 519. 520. 521. 522. 523. 524. 525. 526. 527. 528. 529. 530. 531. 532. 533. 534. 535. 536. 537. 538. 539. 540. 541. 542. 543. 544. 545. 546. 547. 548. 549. 550. 551. 552. 553. 554. 555. 556. 557. 558. 559. 560. 561. 562. 563. 564. 565. 566. 567. 568. 569. 570. 571. 572. 573. 574. 575. 576. 577. 578. 579. 580. 581. 582. 583. 584. 585. 586. 587. 588. 589. 590. 591. 592. 593. 594. 595. 596. 597. 598. 599. 600. 601. 602. 603. 604. 605. 606. 607. 608. 609. 610. 611. 612. 613. 614. 615. 616. 617. 618. 619. 620. 621. 622. 623. 624. 625. 626. 627. 628. 629. 630. 631. 632. 633. 634. 635. 636. 637. 638. 639. 640. 641. 642. 643. 644. 645. 646. 647. 648. 649. 650. 651. 652. 653. 654. 655. 656. 657. 658. 659. 660. 661. 662. 663. 664. 665. 666. 667. 668. 669. 670. 671. 672. 673. 674. 675. 676. 677. 678. 679. 680. 681. 682. 683. 684. 685. 686. 687. 688. 689. 690. 691. 692. 693. 694. 695. 696. 697. 698. 699. 700. 701. 702. 703. 704. 705. 706. 707. 708. 709. 710. 711. 712. 713. 714. 715. 716. 717. 718. 719. 720. 721. 722. 723. 724. 725. 726. 727. 728. 729. 730. 731. 732. 733. 734. 735. 736. 737. 738. 739. 740. 741. 742. 743. 744. 745. 746. 747. 748. 749. 750. 751. 752. 753. 754. 755. 756. 757. 758. 759. 760. 761. 762. 763. 764. 765. 766. 767. 768. 769. 770. 771. 772. 773. 774. 775. 776. 777. 778. 779. 780. 781. 782. 783. 784. 785. 786. 787. 788. 789. 790. 791. 792. 793. 794. 795. 796. 797. 798. 799. 800. 801. 802. 803. 804. 805. 806. 807. 808. 809. 810. 811. 812. 813. 814. 815. 816. 817. 818. 819. 820. 821. 822. 823. 824. 825. 826. 827. 828. 829. 830. 831. 832. 833. 834. 835. 836. 837. 838. 839. 840. 841. 842. 843. 844. 845. 846. 847. 848. 849. 850. 851. 852. 853. 854. 855. 856. 857. 858. 859. 860. 861. 862. 863. 864. 865. 866. 867. 868. 869. 870. 871. 872. 873. 874. 875. 876. 877. 878. 879. 880. 881. 882. 883. 884. 885. 886. 887. 888. 889. 890. 891. 892. 893. 894. 895. 896. 897. 898. 899. 900. 901. 902. 903. 904. 905. 906. 907. 908. 909. 910. 911. 912. 913. 914. 915. 916. 917. 918. 919. 920. 921. 922. 923. 924. 925. 926. 927. 928. 929. 930. 931. 932. 933. 934. 935. 936. 937. 938. 939. 940. 941. 942. 943. 944. 945. 946. 947. 948. 949. 950. 951. 952. 953. 954. 955. 956. 957. 958. 959. 960. 961. 962. 963. 964. 965. 966. 967. 968. 969. 970. 971. 972. 973. 974. 975. 976. 977. 978. 979. 980. 981. 982. 983. 984. 985. 986. 987. 988. 989. 990. 991. 992. 993. 994. 995. 996. 997. 998. 999. 1000.	
(REDRAWN - NOTES 7 & 8 ADDED)	
Amend.	
PAPER	W

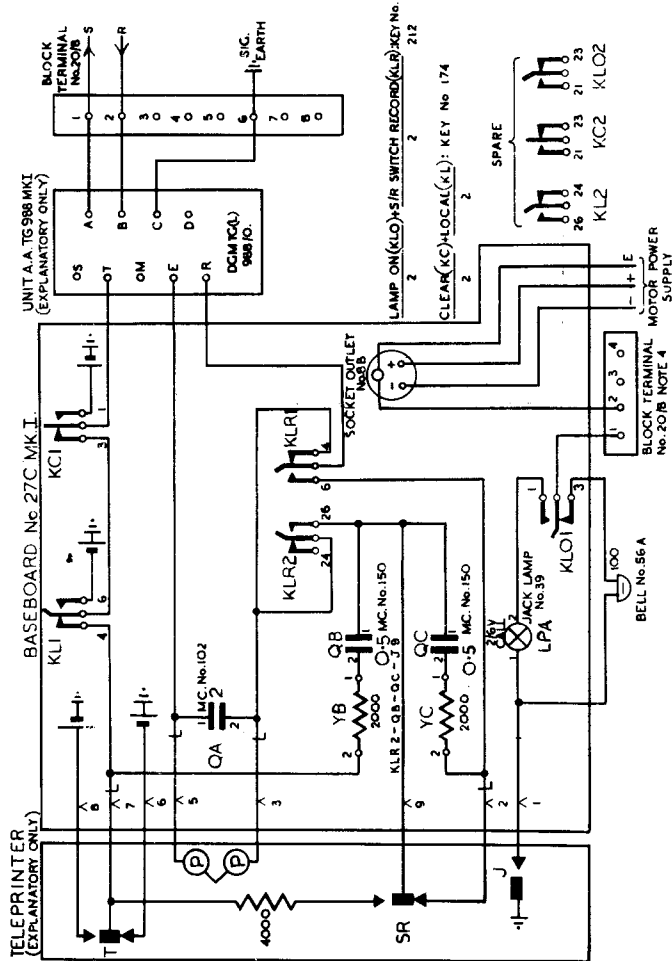
NOTES:-

1. THIS CONDENSER IS NORMALLY CONNECTED BETWEEN JACK POINTS 3 & 7 ON THE JACK No.52, BUT THE CONNEXIONS SHOULD BE MODIFIED AS SHOWN. THE KEY No. 212 OR No.208. REPLACES THE KEY No. 68. OF TG(L)3525
2. THE CIRCUIT OPERATES AS A NORMAL EQUIPMENT TABLE DTN.2000 WHEN THE KEY No. 212 (OR KEY No. 208) IS OPERATED TO S/R SWITCH LOCAL RECORD. DGM. TG(L)3525 REFERS
3. THIS MODIFICATION SHOULD NOT BE USED WHERE AN EQUIPMENT DTN.2000 IS USED IN PLACE OF AN EQUIPMENT TABLE TG 1017; IN THIS CASE PERMANENT ALTERATION OF WIRING SHOULD BE MADE
4. LAMP AND BELL SUPPLY TO BE AS SHOWN IN DGM. TG(L) 3525 /0
5. LAMP AND BELL SUPPLY TO BE AS SHOWN IN DGM. TG(L)3525 /1
6. THE MARK NUMBERS OF THE UNITS A.A. TG 988 SHOWN ARE TYPICAL AND ARE NOT RELATED TO THE MARK NUMBERS OF THE BASEBOARD No. 27 c
7. U-POINTS: THIS \wedge REFER TO THE JACK No.52
8. BATTERIES ARE 2 80V PROTECTED SIGNALLING SUPPLIES

NOTES:-

1. THIS CONDENSER IS NORMALLY CONNECTED BETWEEN JACK POINTS 3 & 7 ON THE JACK No.52, BUT THE CONNEXIONS SHOULD BE MODIFIED AS SHOWN IN THE KEY No.212 OR No.208. REPLACES THE KEY No. 60 OF TG(L)3525
2. THE CIRCUIT OPERATES AS A NORMAL EQUIPMENT TABLE DTN.2000 WHEN THE KEY No.212(OR KEY No. 208) IS OPERATED TO S/R SWITCH LOCAL RECORD, DGM.TG(L)3525 REFERS
3. DELETED.
4. LAMP AND BELL SUPPLY TO BE AS SHOWN IN DGM.TG(L) 3525/0
5. LAMP AND BELL SUPPLY TO BE AS SHOWN IN DGM. TG(L)3525/11
6. THE MARK NUMBERS OF THE UNITS A.A.TG 988 SHOWN ARE TYPICAL AND ARE NOT RELATED TO THE MARK NUMBERS OF THE BASEBOARD No.27c
7. U-POINTS: THIS $\overline{\text{---}}$ REFER TO THE JACK No.52
8. BATTERIES ARE \pm 80V PROTECTED SIGNALLING SUPPLIES

FIG. 1 - USING BASEBOARD No. 27c MARK I



P.O.E.D.
S. B.C.H.

PAPER - W
CIRCULATION:-

ISSUE	REVISION	DATE
E	NEW FORMAT. NOTE 3 DELETED.	31.1.67
D	REDRAWN, KEY No.208 REPLACES KEY No.212 AND CONNEXIONS OF QA REARRANGED IN FIG.2. NOTES 7 & 8 ADDED.	15.10.66
C	REDRAWN, NOTES 7 & 8 DELETED.	4.2.66
	G.N.	7.5.41

FIG. 2 - USING BASEBOARD No. 27c MK II

