

EQUIPMENT, TABLE DTN 2000(MARK 4.)

TG(L)3525/3
5 PANELS -1

GENERAL

A
W

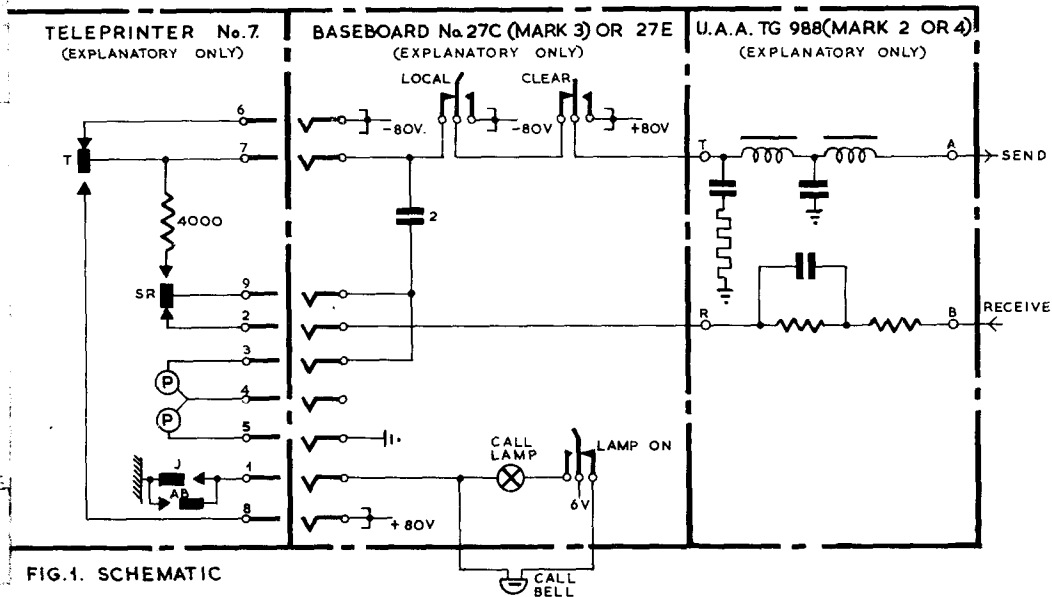


FIG.1. SCHEMATIC

TG(L)3525/3

5 PANELS-2

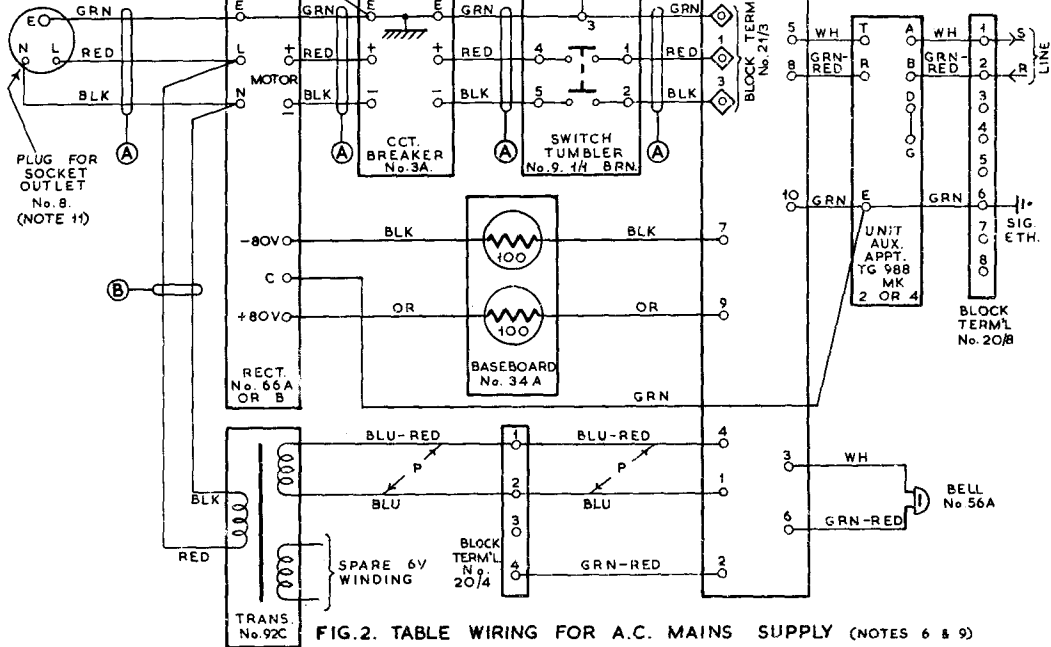


FIG.2. TABLE WIRING FOR A.C. MAINS SUPPLY (NOTES 6 & 9)

EQUIPMENT, TABLE DTN 2000(MARK 4.)

TG(L)3525/3

5 PANELS-3

GENERAL

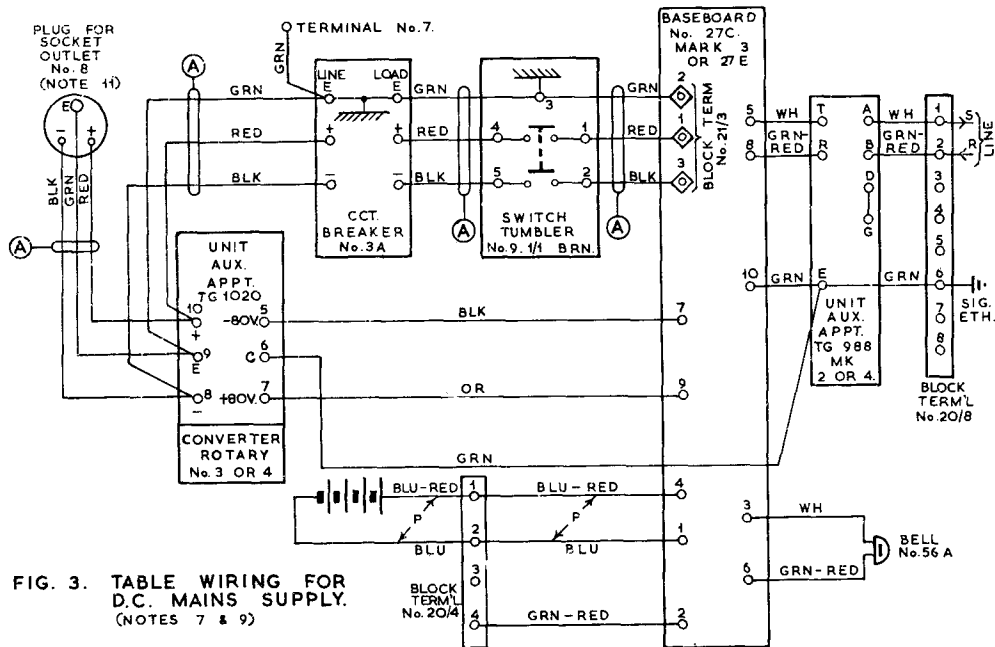


FIG. 3. TABLE WIRING FOR D.C. MAINS SUPPLY.
(NOTES 7 & 9)

W

TG(L)3525/3

5 PANELS - 4

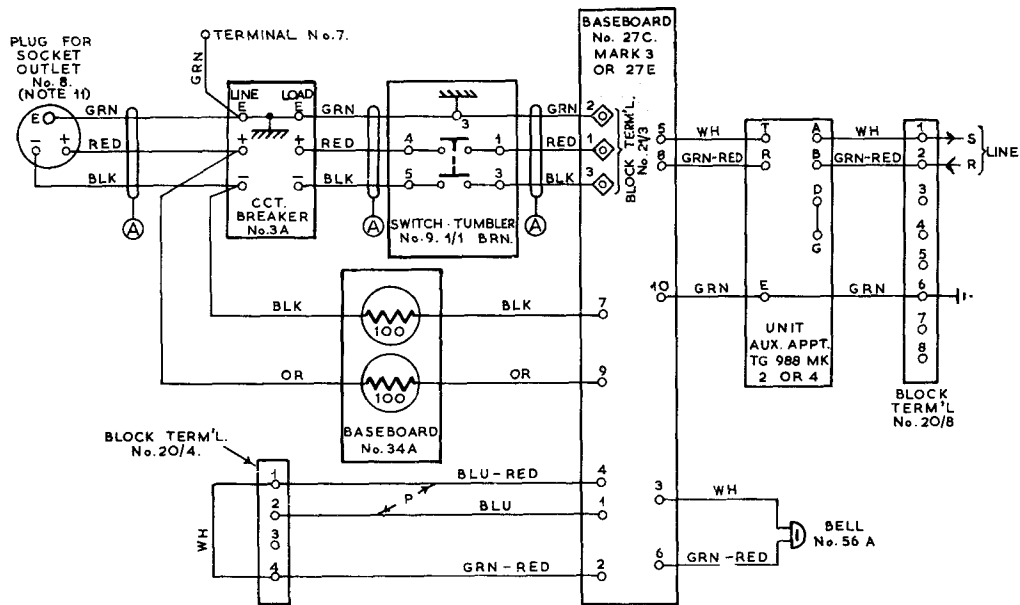


FIG. 4. TABLE WIRING FOR 80+80 VOLT SUPPLY (NOTES 8 & 9)

EQUIPMENT, TABLE DTN 2000(MARK 4.)

TG(L)3525/3

5 PANELS-5

CIRCULATION	GENERAL
	Suffix
Amendmt.	
	PAPER W

NOTES :-

- THIS EQUIPMENT TABLE MAY BE USED EITHER WITH BASEBOARD No. 27C. (MARK 3) OR WITH BASEBOARD No. 27E. THE CLEARING KEY IN THE BASEBOARD No. 27E IS OF THE AUTOMATIC TYPE WHICH TAKES 5 SECONDS TO RESTORE.
- FOR WIRING OF TELEPRINTER No. 7. SEE DGM. TG (L) 1101/...
FOR UNIT A.A. TG 1020 SEE DGM. TG (L) 1020.
FOR UNIT A.A. TG 988 MK 2 OR 4 SEE DGM. TG (L) 988/1.
FOR RECTIFIER No. 66A SEE DGM. TG (L) 2055.
FOR RECTIFIER No. 66B SEE DGM. TG (L) 2070.
FOR BASEBOARD No. 27C MARK 3 AND BASEBOARD No. 27E SEE DGM. TG (L) 1265.
- WIRING DESIGNATIONS :-
(A) CORD FLEXIBLE 250V., T.R.S., 3 CORE, O-OOO SQ. IN.
(B) " " " " TWIN, " " "
(C) WIRE P.V.C. No. 1. 1 WIRE/20.
ALL OTHER WIRING TO BE WIRE P.V.C. No. 1, 1 WIRE/12½ OR 1 PAIR/12½ AS SHOWN.
- FOR ADJUSTMENT OF RECEIVE LINE CURRENT SEE DGM. TG (L) 988/1.
- FOR ADDITION OF END OF LINE LAMP JACK SEE DGM. TG (L) 3064.
- CONCERNING FIG. 2. ONLY :-
(a) FOR ADDITIONAL DRILLING OF TABLE TO TAKE RECTIFIER No. 66... SEE DGM. TG 1806.
(b) FOR MOUNTING OF ADDITIONAL COMPONENTS ON TABLE SEE DGM. TG 1808.
(c) BELL COILS TO BE IN PARALLEL.
- CONCERNING FIG. 3. ONLY :-
(a) PRIMARY BATTERY, TO CONSIST OF FOUR CELLS. LECLANCHÉ, DR2 FITTED LOCALLY IN THE TRAY PROVIDED.
(b) BELL COILS TO BE IN SERIES.
- CONCERNING FIG. 4. ONLY :-
(a) FOR MOUNTING OF ADDITIONAL COMPONENTS ON TABLE SEE DGM. TG 1720.
(b) BELL COILS TO BE IN SERIES.
- EQUIPMENT WILL BE ISSUED WITH WIRING AS SHOWN IN FIG. 2. AND THE WIRING WILL BE MODIFIED LOCALLY TO FIG. 3 OR 4 IF REQUIRED.
- THIS DIAGRAM SHOULD ONLY BE USED FOR EQUIPMENT TABLE DTN. 2000 MARK 4. FOR TABLE TELEPRINTER No. 5A OR BENCH MOUNTING USE DGM. TG/TGW 1266 WITH DGM. TG/TGW 1267, 1268 OR 1269.
- POWER SUPPLY TO BE FUSED AT 3 AMP PER POSITION.

FIG. 2. TABLE WIRING FOR A.C. MAINS SUPPLY (NOTES 6 & 9)

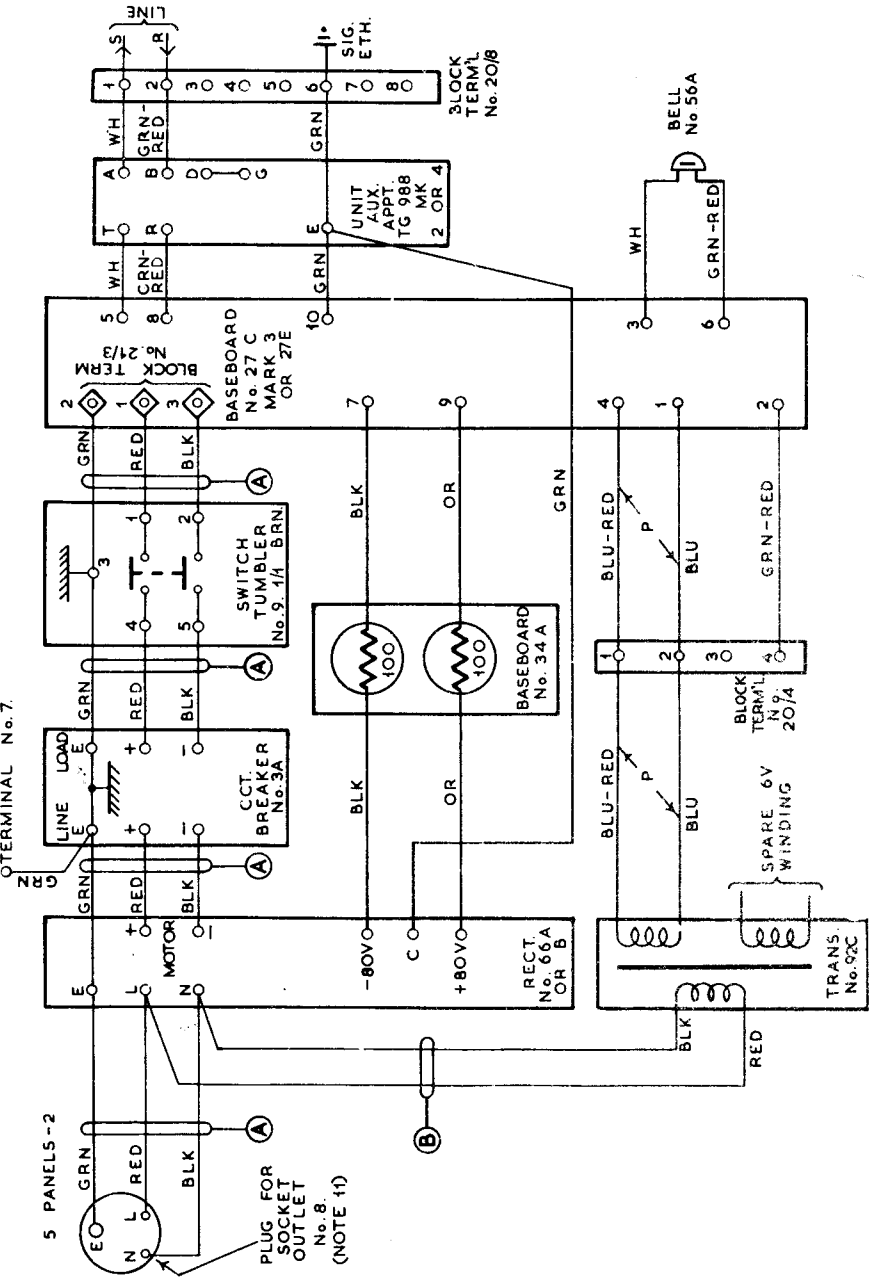


FIG. 3. TABLE WIRING FOR D.C. MAINS SUPPLY. (NOTES 7 & 9)

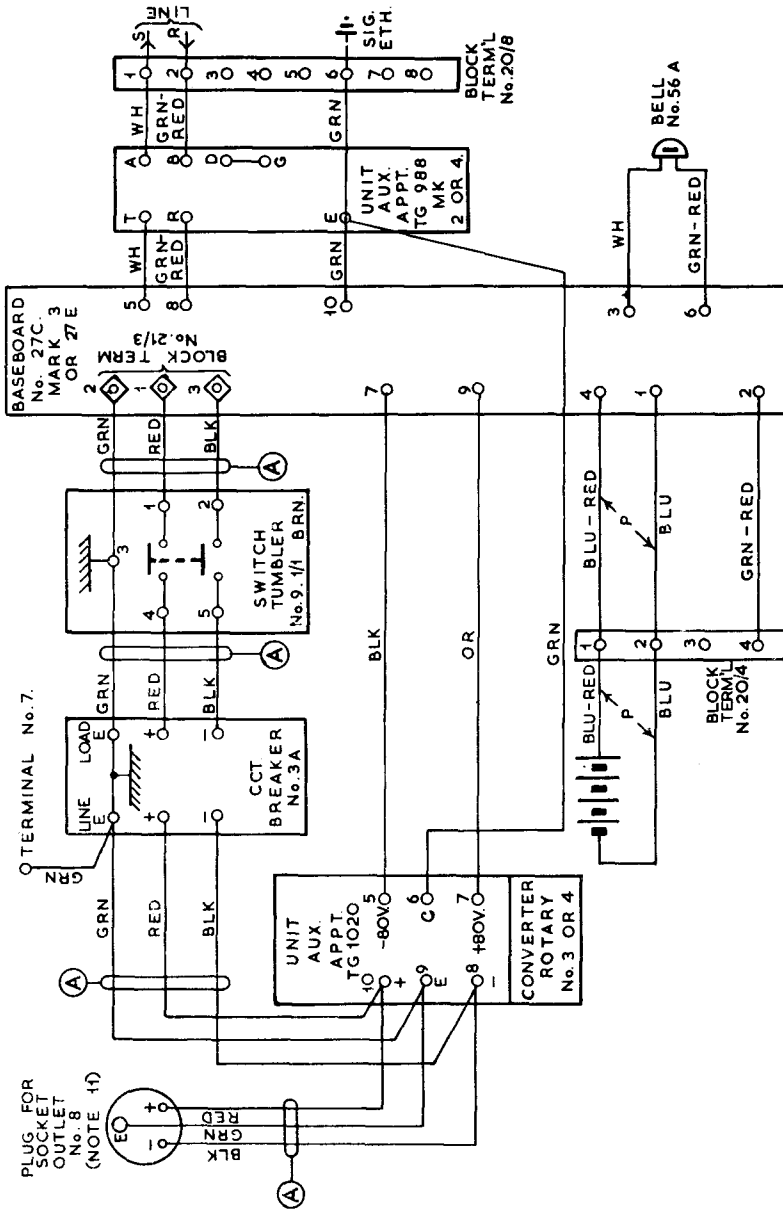
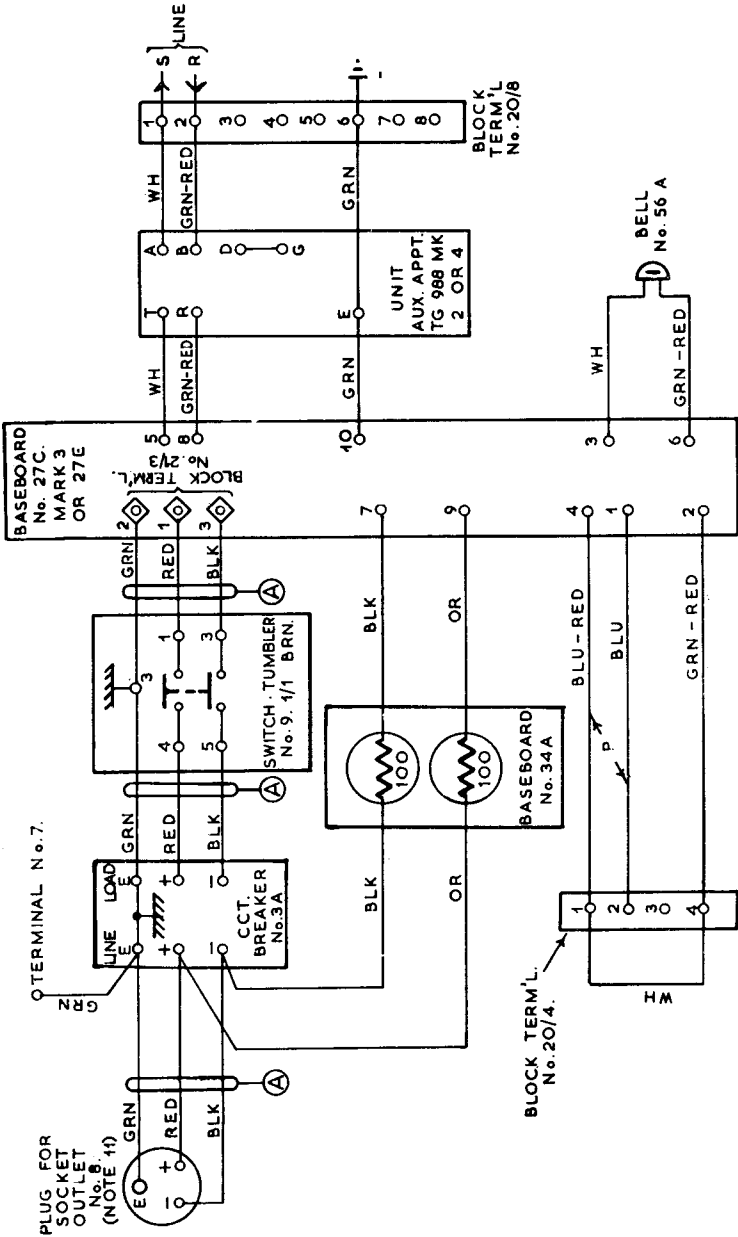


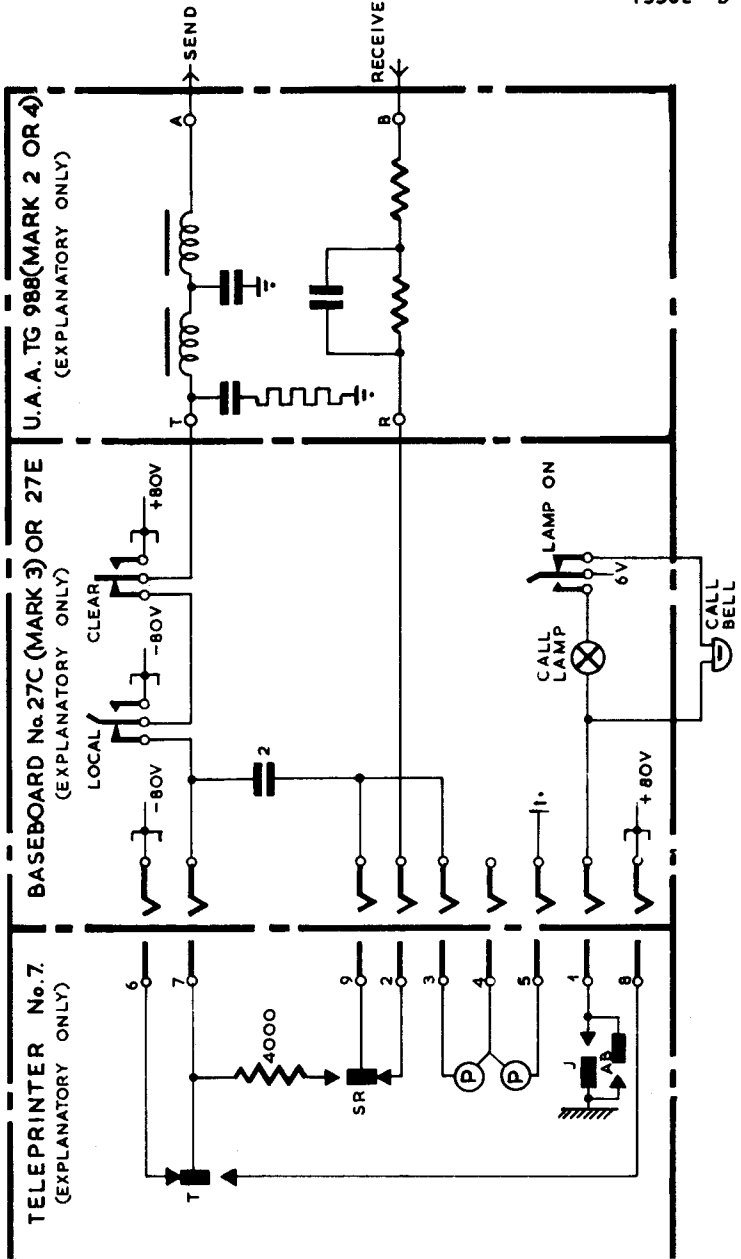
FIG. 4. TABLE WIRING FOR 80 + 80 VOLT SUPPLY (NOTES 8 & 9)



NOTES -

1. THIS EQUIPMENT TABLE MAY BE USED EITHER WITH BASEBOARD No.27C. (MARK 3) OR WITH BASEBOARD No.27E. THE CLEARING KEY IN THE BASEBOARD No.27E IS OF THE AUTOMATIC TYPE WHICH TAKES 5 SECONDS TO RESTORE.
2. FOR WIRING OF TELEPRINTER No.7. SEE DGM. TG(L) 1101/1.
FOR UNIT A.A. TG 1020 SEE DGM. TG(L) 1020.
FOR UNIT A.A. TG 988 MK 2 OR 4 SEE DGM. TG(L) 988/1.
FOR RECTIFIER No.66A SEE DGM. TG(L) 2055.
FOR RECTIFIER No.66B SEE DGM. TG(L) 2070.
FOR BASEBOARD No.27C MARK 3 AND BASEBOARD No.27E SEE DGM. TG(L) 1265.
3. WIRING DESIGNATIONS :-
(A) CORD FLEXIBLE 250V., T.R.S., 3 CORE, 0-0010 SQ.IN.
(B) " " " " TWIN, " " "
(C) WIRE P.V.C. No.1. 4 WIRE/20.
ALL OTHER WIRING TO BE WIRE P.V.C. No.1, 1 WIRE/12½ OR 1 PAIR/12½ AS SHOWN.
4. FOR ADJUSTMENT OF RECEIVE LINE CURRENT SEE DGM. TG(L) 988/1.
5. FOR ADDITION OF END OF LINE LAMP JACK SEE DGM. TG(L) 3064.
6. CONCERNING FIG.2. ONLY :-
(a) FOR ADDITIONAL DRILLING OF TABLE TO TAKE RECTIFIER No.66...SEE DGM. TG 1806.
(b) FOR MOUNTING OF ADDITIONAL COMPONENTS ON TABLE SEE DGM. TG 1808.
(c) BELL COILS TO BE IN PARALLEL.
7. CONCERNING FIG.3 ONLY :-
(a) PRIMARY BATTERY, TO CONSIST OF FOUR CELLS-LE CLANCHE, DR2 FITTED LOCALLY IN THE TRAY PROVIDED.
(b) BELL COILS TO BE IN SERIES.
8. CONCERNING FIG.4. ONLY :-
(a) FOR MOUNTING OF ADDITIONAL COMPONENTS ON TABLE SEE DGM. TG 1720.
(b) BELL COILS TO BE IN SERIES.
9. EQUIPMENT WILL BE ISSUED WITH WIRING AS SHOWN IN FIG.2. AND THE WIRING WILL BE MODIFIED LOCALLY TO FIG.3 OR 4 IF REQUIRED.
10. THIS DIAGRAM SHOULD ONLY BE USED FOR EQUIPMENT TABLE DTN.2000 MARK 4. FOR TABLE TELEPRINTER No.5A OR BENCH MOUNTING USE DGM. TG/TGW 1266 WITH DGM. TG/TGW 1267,1268 OR 1269
11. POWER SUPPLY TO BE FUSED AT 3 AMP. PER POSITION.

FIG. 1 SCHEMATIC



P.O.
TELECOMMS.
HQRS.

PAPER:- W

CIRCULATION:-

GENERAL

ISSUE			
B	NOTES 12 & 13 ADDED. CIRCUIT BREAKER WAS 3A		22-868
A	NEW FORMAT		2-3-66
TG 3/9		TD 5-2	2-10-56

FIG. 2. TABLE WIRING FOR A.C. MAINS SUPPLY (NOTES 6 & 9)

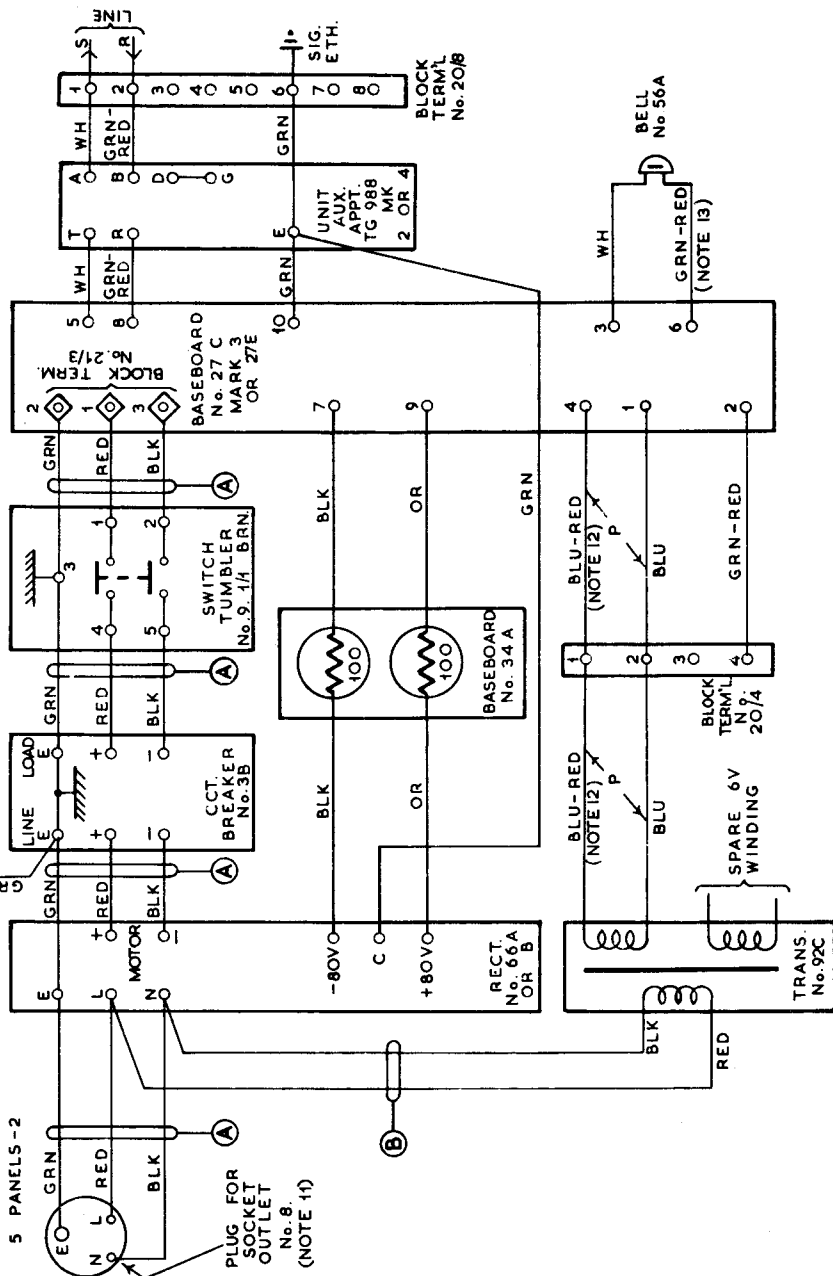


FIG. 3. TABLE WIRING FOR 80 + 80 VOLT SUPPLY (NOTES 8 & 9)

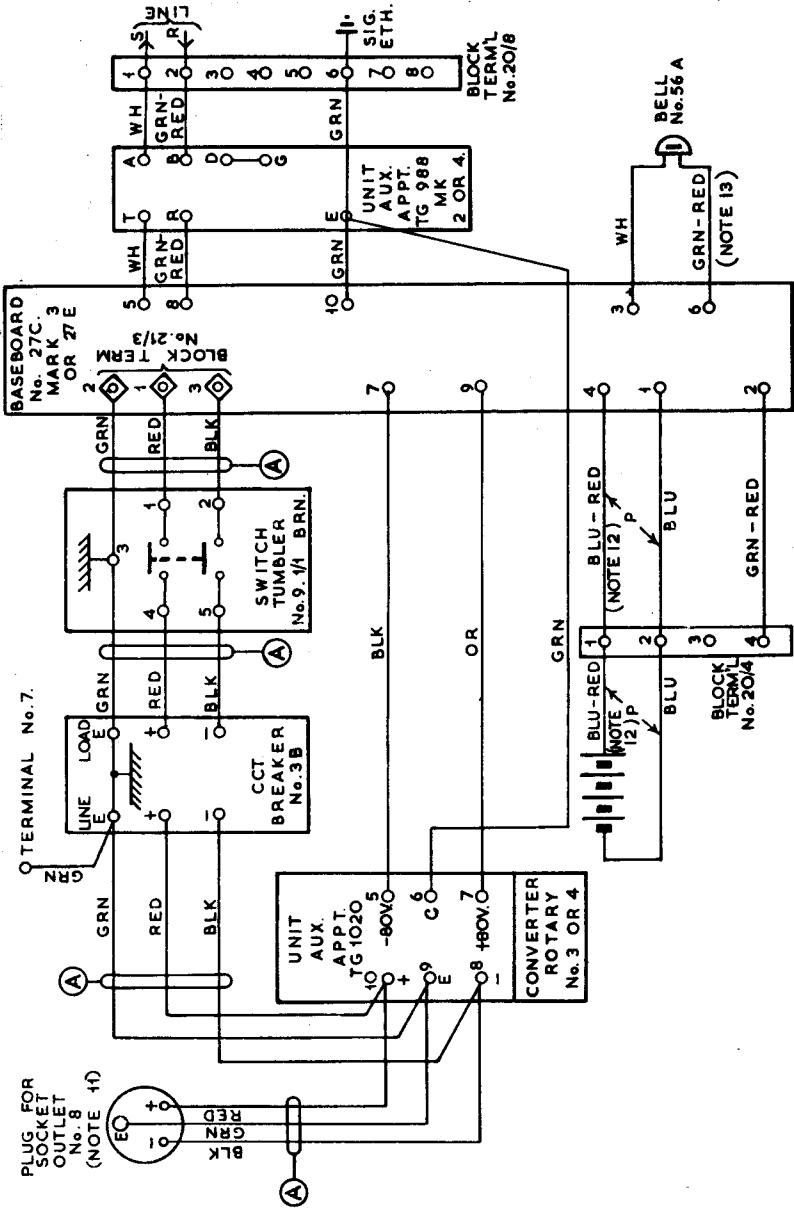
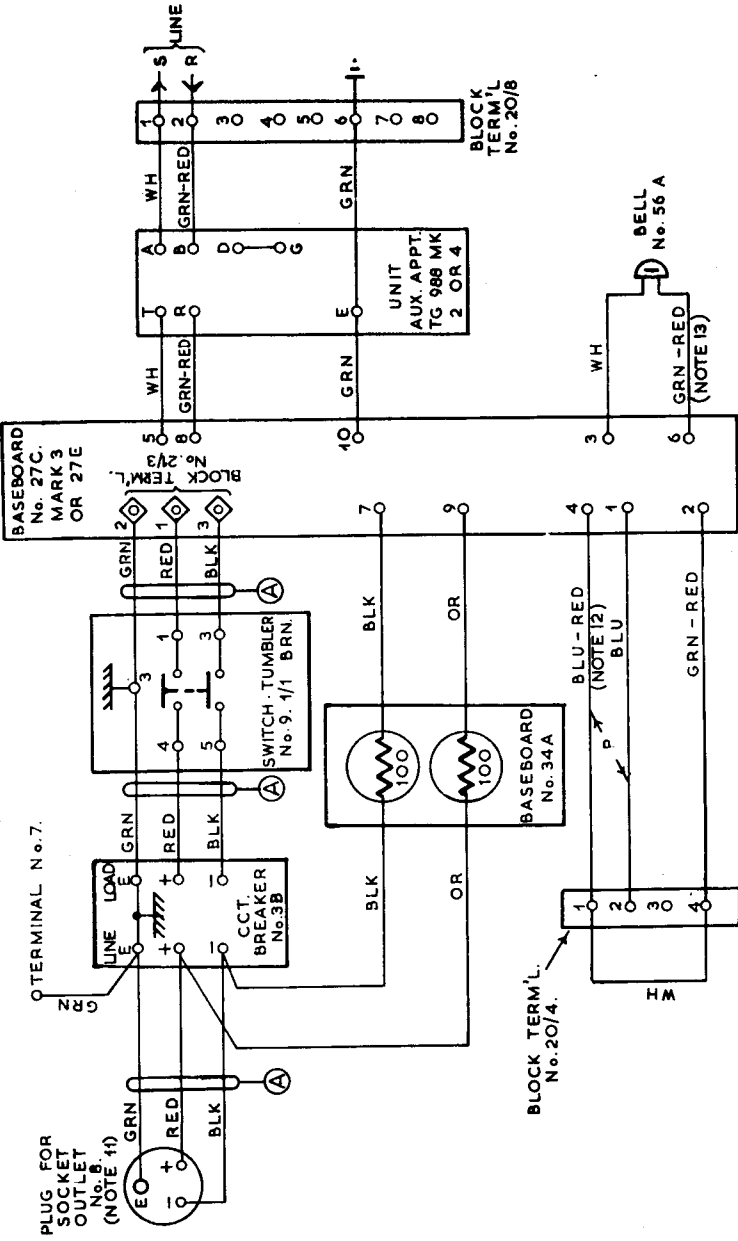


FIG. 4. TABLE WIRING FOR 80 + 80 VOLT SUPPLY (NOTES 8 & 9)



NOTES :-

1. THIS EQUIPMENT TABLE MAY BE USED EITHER WITH BASEBOARD No. 27C. (MARK 3) OR WITH BASEBOARD No. 27E. THE CLEARING KEY IN THE BASEBOARD No. 27E IS OF THE AUTOMATIC TYPE WHICH TAKES 5 SECONDS TO RESTORE.
2. FOR WIRING OF TELEPRINTER No. 7. SEE DGM. TG (L) 1104/1.
 FOR UNIT A.A. TG 1020 SEE DGM. TG (L) 1020.
 FOR UNIT A.A. TG 988 MK 2 OR 4 SEE DGM. TG (L) 988/1.
 FOR RECTIFIER No. 66A SEE DGM. TG (L) 2055.
 FOR RECTIFIER No. 66B SEE DGM. TG (L) 2070.
 FOR BASEBOARD No. 27C MARK 3 AND BASEBOARD No. 27E SEE DGM. TG (L) 1265.
3. WIRING DESIGNATIONS :-
 (A) CORD FLEXIBLE 250V, T.R.S., 3 CORE, 0.0010 SQ. IN.
 (B) " " " " TWIN, " " "
 (C) WIRE P.V.C. No. 1. 4 WIRE/20.
 ALL OTHER WIRING TO BE WIRE P.V.C. No. 1, 1 WIRE/12½ OR 1 PAIR/12½ AS SHOWN.
4. FOR ADJUSTMENT OF RECEIVE LINE CURRENT SEE DGM. TG (L) 988/1.
5. FOR ADDITION OF END OF LINE LAMP JACK SEE DGM. TG (L) 3064.
6. CONCERNING FIG. 2 ONLY :-
 (a) FOR ADDITIONAL DRILLING OF TABLE TO TAKE RECTIFIER No. 66... SEE DGM. TG 1806.
 (b) FOR MOUNTING OF ADDITIONAL COMPONENTS ON TABLE SEE DGM. TG 1808.
 (c) BELL COILS TO BE IN PARALLEL.
7. CONCERNING FIG. 3. ONLY :-
 (a) PRIMARY BATTERY, TO CONSIST OF FOUR CELLS. LECLANCHE, DR2 FITTED LOCALLY IN THE TRAY PROVIDED.
 (b) BELL COILS TO BE IN SERIES.
8. CONCERNING FIG. 4. ONLY :-
 (a) FOR MOUNTING OF ADDITIONAL COMPONENTS ON TABLE SEE DGM. TG 1720.
 (b) BELL COILS TO BE IN SERIES.
9. EQUIPMENT WILL BE ISSUED WITH WIRING AS SHOWN IN FIG. 2. AND THE WIRING WILL BE MODIFIED LOCALLY TO FIG. 3 OR 4 IF REQUIRED.
10. THIS DIAGRAM SHOULD ONLY BE USED FOR EQUIPMENT TABLE DTN. 2000 MARK 4. FOR TABLE TELEPRINTER No. 5A OR BENCH MOUNTING USE DGM. TG/TGW 1266 WITH DGM. TG/TGW 1267, 1268 OR 1269.
11. POWER SUPPLY TO BE FUSED AT 3 AMP PER POSITION.
12. THIS WIRE MAY BE BLUE-WHITE INSTEAD OF BLUE-RED.
13. THIS WIRE MAY BE WHITE-RED INSTEAD OF GREEN-RED.