

CIRCULATION.

GENERAL

EQUIPMENT, TABLE DTN 2000(MARK I)

TG(L)3525/0

4 PANELS--1

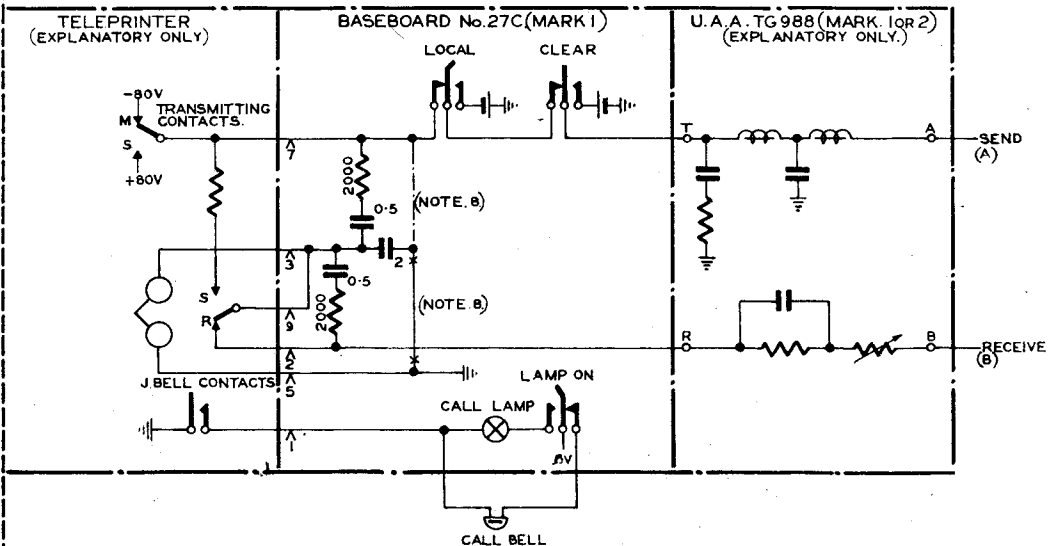
24.4.41

SUPERSEDED BY TG3525/1 FOR MARK 2

				1.2.44 B
				208 4. 41 A

*Redrawn, 108 Suppression Note added
2mf Condensers Rewired in Parallel
Note 3 & 5 amended.*

AMENDMENT.



W

FIG. J. SCHEMATIC.

TG(L) 3525/0

4 PANELS - 2

EQUIPMENT, TABLE DTN 2000. (MARK.1.)

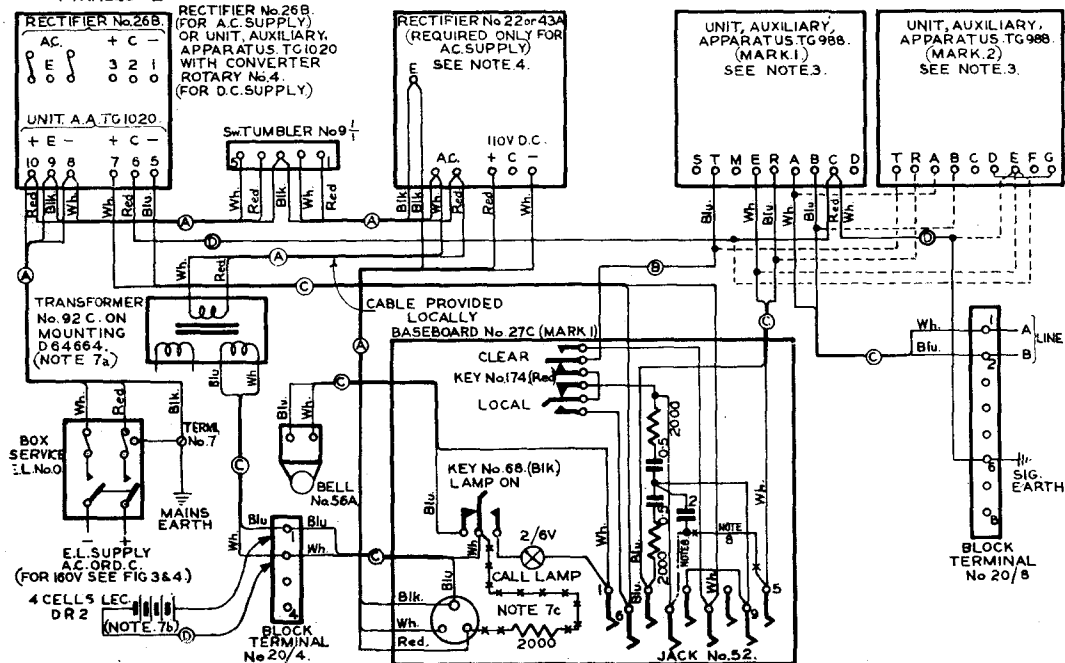


FIG.2. WIRING & CABLING. FOR CABLE DESIGNATIONS SEE NOTE.2.

CIRCULATION

GENERAL

				B
			3-2-44	
			28-6-41	A
2mf Condensers Required in Parallel Notes 3&5 amended				
Rearward 10s Suppression Note added				

AMENDMENT

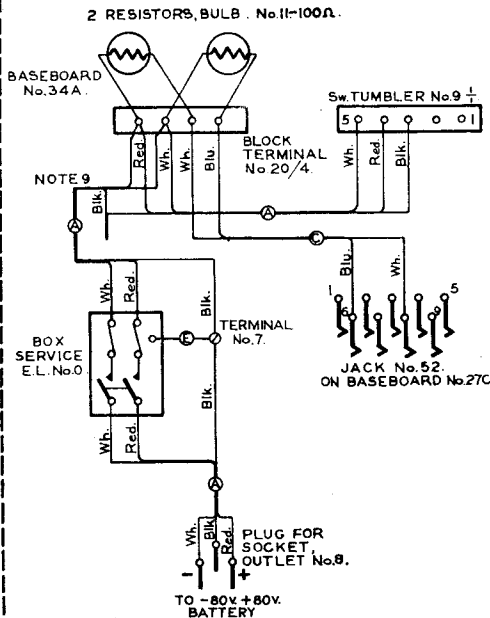


FIG.3. MODIFICATION TO CABLING WHEN -80V +80V BATTERY IS USED FOR POWER SUPPLY-USING BASEBOARD No.34A.

SUPERSEDES FIG.4. FOR NEW WORK.

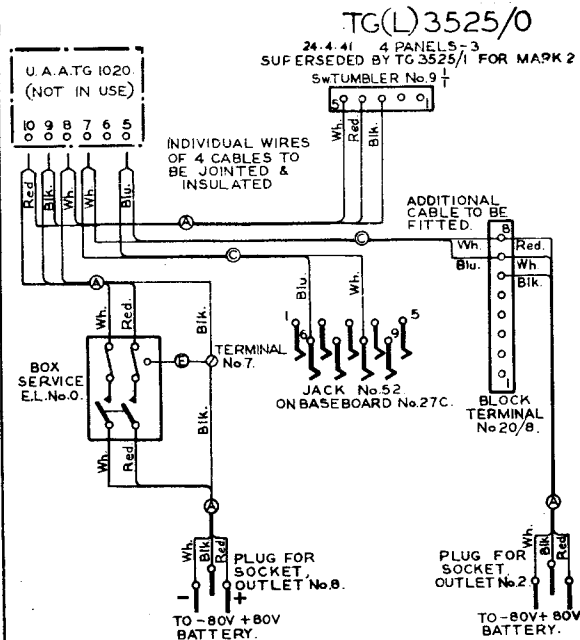


FIG.4. MODIFICATION TO CABLING WHEN -80V +80V BATTERY IS USED FOR POWER SUPPLY - SEPARATE SIGNALLING SUPPLY SUPERSEDED FOR NEW WORK BY FIG.3.

FOR CABLING OF EQUIPMENT TABLE SEE FIG.2.

TG(L)3525/0

4 PANELS-4

NOTES:-

1. FOR SCHEMATIC WIRING OF TELEPRINTER No.7. SEE TG(L)1101
" INTERNAL CONNEXIONS OF RECTIFIER.No.22. " TG(L) 802 (FOR 43A SEE TG(L) 2024)
" " " " No.26B. " TG(L)1058
" " " " U.A.A.TG1020 " TG(L)1020
" " " " TG988 MK1. " TG(L)988/0
" " " " TG988 MK2 " TG(L)988/1
2. CABLE DESIGNATIONS (A) CORD,FLEXIBLE E.L.250V CLASS D3.0'001 SQ.INS.
(B) CABLE E&C CORE 1 PAIR/10 BUNCHED
(C) " " " 1 PAIR/10
(D) WIRE E&FP. 1 WIRE/20.
(E) " COPPER SOFT STRANDED 3/20.
INTERNAL WIRING OF BASEBOARD TO BE WIRE , SW.BD. E.T.S. & C.C. 1 WIRE/9 $\frac{1}{4}$ BLUE.
3. FOR UNIT.A.A.TG988 MARK 1. THE B LINE CURRENT SHOULD BE ADJUSTED TO 20mA. BY MEANS OF THE ORANGE TAPPING ON RESISTOR COIL No.17C.
FOR UNIT.A.A.TG988 MARK 2. ON 80V SYSTEMS: STRAP D&G TAGS B&D SHOULD BE STRAPPED IF THE B LINE CURRENT IS LESS THAN 16mA WITH THE FULL 4000 OHMS IN CIRCUIT.
ON 40V SYSTEMS: TAGS R C & DG SHOULD BE STRAPPED AND IF THE B LINE CURRENT IS STILL LESS THAN 16mA. STRAP B AND F.
4. THE POWER CABLING WHICH IS CONTINUOUS FOR D.C. SHOULD BE OPENED AT THE JOINT PROVIDED FOR INSERTION OF RECTIFIER No.22 OR 43A WHEN SUPPLY IS A.C.
5. THE VALUES OF THE COMPONENTS OF THE FILTER FREQUENCY AND THE SHUNTED CONDENSER DEPEND ON WHETHER UNIT.A.A.TG988 MARK 1. OR MARK 2. IS USED.
6. FOR MODIFICATION TO EQUIPMENT TABLE DTN 2000 TO CUT OUT LOCAL RECORD VIA SEND-RECEIVE SWITCH TG(L)3526.
7. BELL & LAMP CIRCUIT ARRANGEMENTS.
 - (a) A.C.MAINS SUPPLY-TRANSFORMER No.92C. FITTED ON LEFT HAND SIDE PANEL TOWARDS REAR OF TABLE. CABLE PROVIDED LOCALLY & CABLED AS SHOWN (FIG.2) BELL COILS CONNECTED IN PARALLEL (SEE DGM.TG 1720)
 - (b) D.C.MAINS SUPPLY- 4 CELLS LECLANCHE D.R.2 FITTED IN TRAY PROVIDED & WIRED AS SHOWN. BELL COILS CONNECTED IN SERIES.
 - (c) -80V+80V SUPPLY- RESISTOR COIL No.9 (2000 Ω) PROVIDED LOCALLY (FITTED IN BASEBOARD No.27.C) & WIRED AS SHOWN *-*-* BELL COILS CONNECTED IN SERIES.
8. --- SHOWS ALTERNATIVE WIRING FOR 2 μ F. CONDENSER IN ELECTROMAGNET CIRCUIT.
9. WHEN -80V+80V BATTERY SUPPLY IS USED, CABLE FOR RECTIFIER No.26B. OR U.A.A.TG 1020 IS DOUBLED BACK TO BASEBOARD No.34.A. MOUNTED ON RIGHT HAND SIDE PANEL TO REAR OF U.A.A.TG 988. FIG.3 (SEE DGM. TG 1720 FOR MOUNTING DETAILS.)