

P.W. TELEPRINTER BROADCAST SYSTEM.

HEAD OFFICE POSITION WITH REPERFORATOR & AUTO-TRANSMITTER FACILITY.

TG(L) 3516

6 PANELS - 1

3. 6. 40.

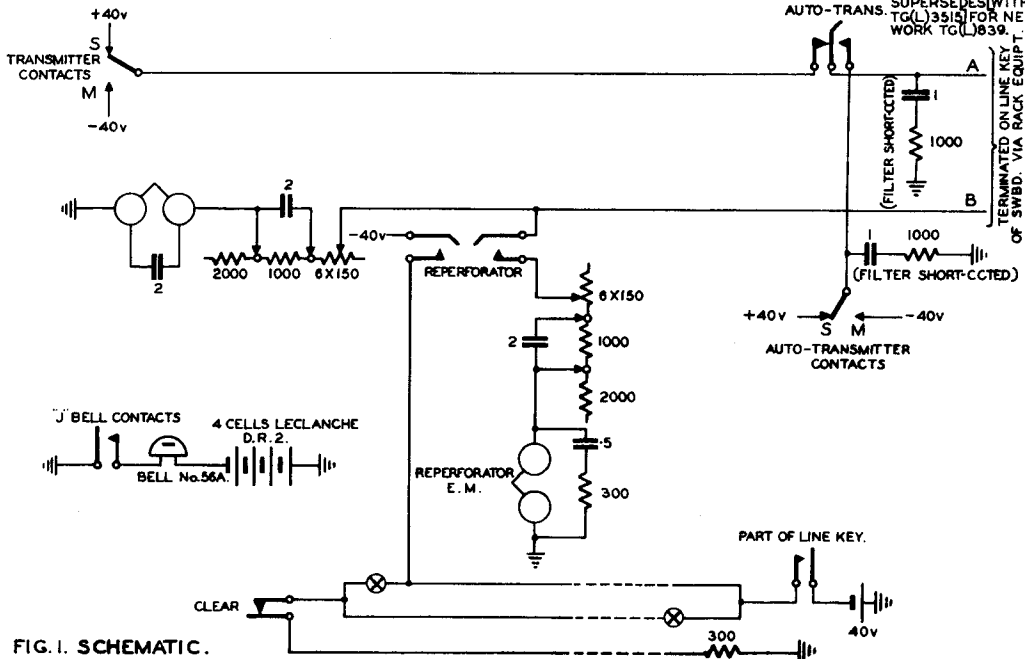
SUPERSEDES (WITH
TG(L) 3515) FOR NEW
WORK TG(L) 839.

FIG. I. SCHEMATIC.

TG (L) 3516

6 PANELS-2

UNIT, AUXILIARY APPS. TG 988, MODIFIED (NOTE 4)

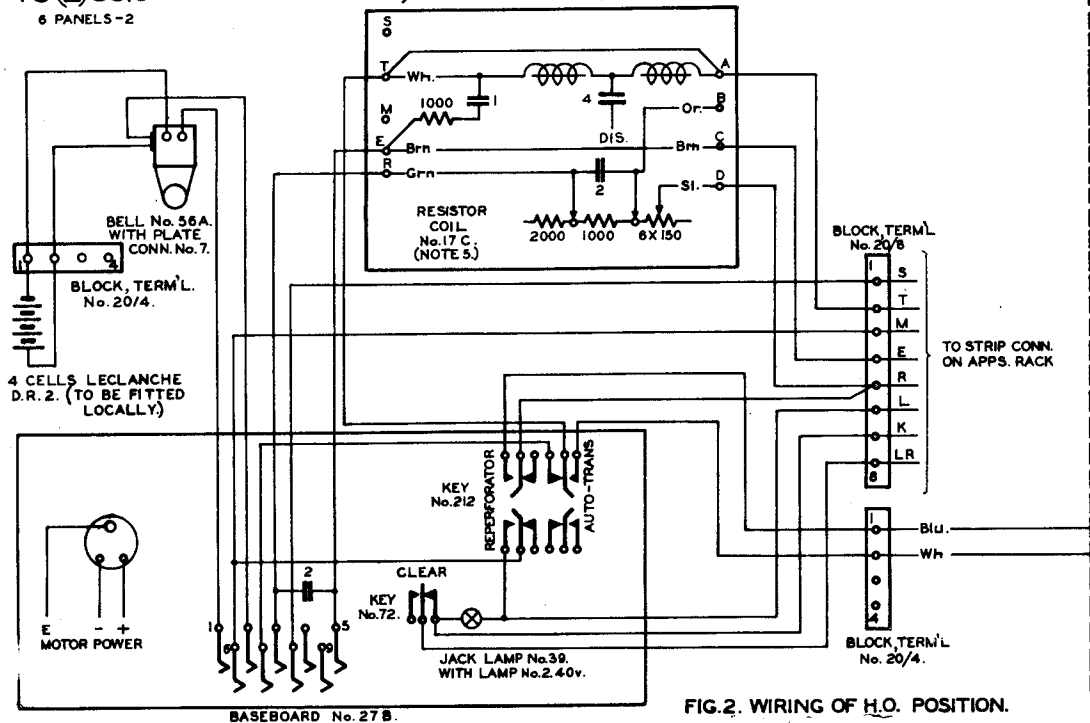


FIG. 2. WIRING OF H.O. POSITION.

CIRCULATION.

GENERAL

P.W. TELEPRINTER BROADCAST SYSTEM.

HEAD OFFICE POSITION WITH REPERFORATOR & AUTO-TRANSMITTER FACILITY

TG(L)3516

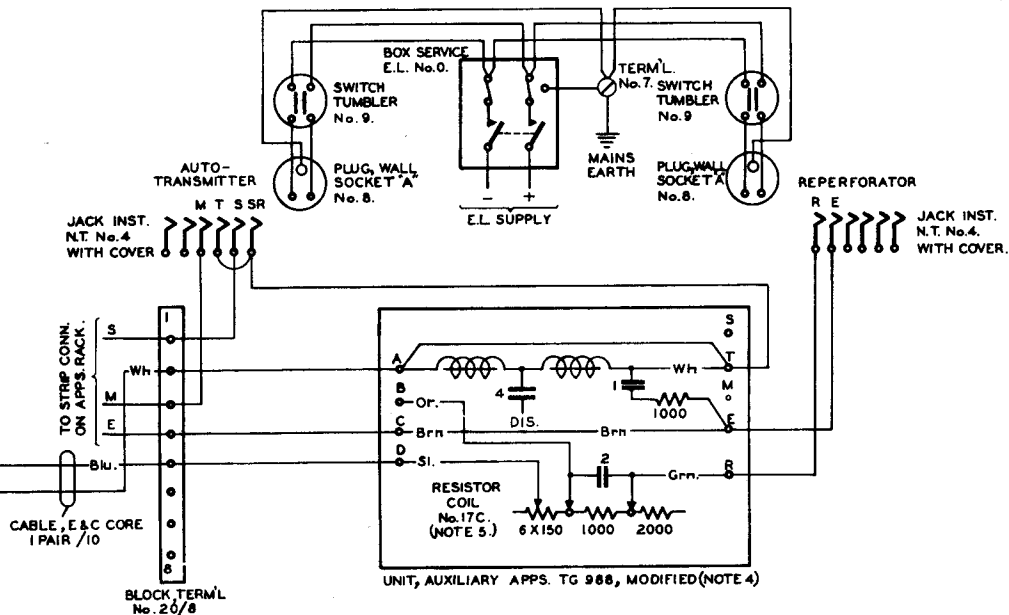
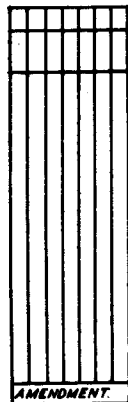
6 PANELS-3
3. 6. 40.SUPERSEDES [WITH TG(L)3515]
FOR NEW WORK TG(L)839.

FIG. 3. WIRING OF REPERFORATOR-AUTO-TRANSMITTER.

W

CIRCULATION

GENERAL

P.W. TELEPRINTER BROADCAST SYSTEM

TG(L)3516

HEAD OFFICE POSITION WITH REPERFORATOR & AUTO-TRANSMITTER FACILITY

6 PANELS - 5
3. 6. 40.

SUPERSEDES WITH TG(L)3515
FOR NEW WORK TG(L) 839.

UNIT, AUXILIARY,
APPS. TG. 988.
(MODIFIED.)

S O T M E R A B C D

Wh Wh Blu Grn Blu

RECTIFIER No.22
(REQUIRED ONLY
FOR A.C. SUPPLY)

Sw. TUMBLER
No.9.

ADDITIONAL RECTIFIER
TO BE FITTED IN
CONVENIENT POSITION

RECTIFIER No.22
(REQUIRED ONLY
FOR A.C. SUPPLY)

BOX, SERVICE
E.L.No.0.

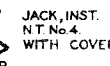
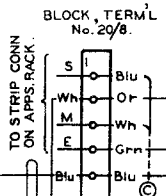
E.L.SUPPLY
A.C. OR DC.

TERML
No.7.

PLUG, WALL
SOCKET 'A' No.8.

JACK, INST.
N.T. No.4.
WITH COVER.

JACK, INST.
N.T. No.4.
WITH COVER.



AUTO-TRANSMITTER

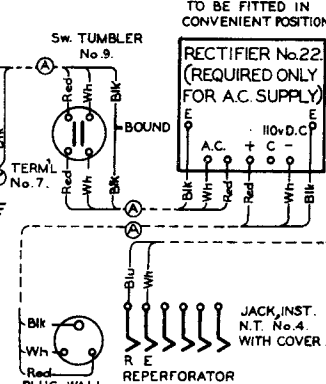
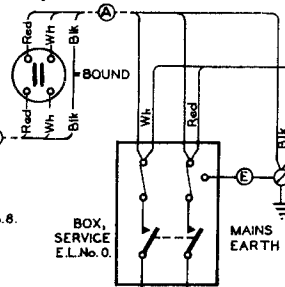
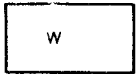
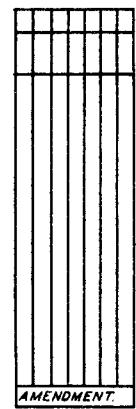


FIG. 5. CABLING OF REPERFORATOR-AUTO-TRANSMITTER EQUIPT.
TABLE TG.1017, MODIFIED (SEE NOTE 7.)FOR CABLE DESIGNATIONS. SEE NOTE 2.



TG(L)3516

6 PANELS - 6

NOTES :-

- FOR SCHEMATIC CONNEXIONS OF TELEPRINTER No.7..... SEE TG(L) 780.
" " " " AUTO-TRANSMITTER SEE TG(L) 852.
" " " " REPERFORATOR SEE TG(L) 851.
" INTERNAL CONNEXIONS OF RECTIFIER No.22. SEE TG(L) 802.
- THE VARIOUS CABLES ARE DESIGNATED AS FOLLOWS :-
(A) CABLE, E.L. 250v. 0.001 Sq. in. 3 CORE.
(B) " E&C. CORE 3 WIRE /10.
(C) " " " " 1 PAIR /10.
(D) WIRE, E&F.P. 1 WIRE /20.
(E) " COPPER SOFT STRANDED 3/20.
INTERNAL CONNEXIONS OF BASEBOARD No.27B. TO BE WIRE SWITCHBOARD E.T.S. & C.C. 1 WIRE /9 1/4 BLUE.
- THE POWER CABLING WHICH IS CONTINUOUS FOR D.C. SUPPLY SHOULD BE OPENED AT THE JOINT PROVIDED FOR THE INSERTION OF RECTIFIER No.22. WHEN THE SUPPLY IS A.C.
- CONDENSER M.C. No.103. TO BE DISCONNECTED, SINGLE SPARK QUENCH TO BE FITTED & TERMINALS A&T TO BE STRAPPED, ON U.A.A. TG. 988.
- THE 'B' LINE CURRENT SHOULD BE ADJUSTED TO 20 mA. BY MEANS OF THE ORANGE TAPPING ON RESISTOR, COIL No.17C. OF U.A.A. TG 988.
- HEAD OFFICE POSITION. (FIGS.2 & 4)
BASEBOARD No.27B. TO BE FITTED IN PLACE OF BASEBOARD No.27. KEY No.212, KEY No.72. AND JACK LAMP No.35. TO BE FITTED IN BASEBOARD No.27B.
CABLES SHOWN DOTTED & INTERNAL WIRING OF BASEBOARD ARE ADDITIONAL TO THE EQUIPMENT TABLE.
- REPERFORATOR-AUTO-TRANSMITTER POSITION (FIGS.3 & 5)
BASEBOARD No.27, AND SWITCH TUMBLER No.9. 1/1 TO BE RECOVERED. EXISTING CABLE FORMER TO BE REPLACED BY CABLING AS SHOWN IN FIG.5. 2 JACKS, INST. N.T. No.4. WITH COVERS, 2 PLUGS, WALL, SOCKET "A" No.8. AND 2 SWITCHES, TUMBLER No.9. WITH LABELS, No.23, WHITE TO BE FITTED IN CONVENIENT POSITIONS ON TABLE TOP

TG (L) 3516

6 PANELS - 4

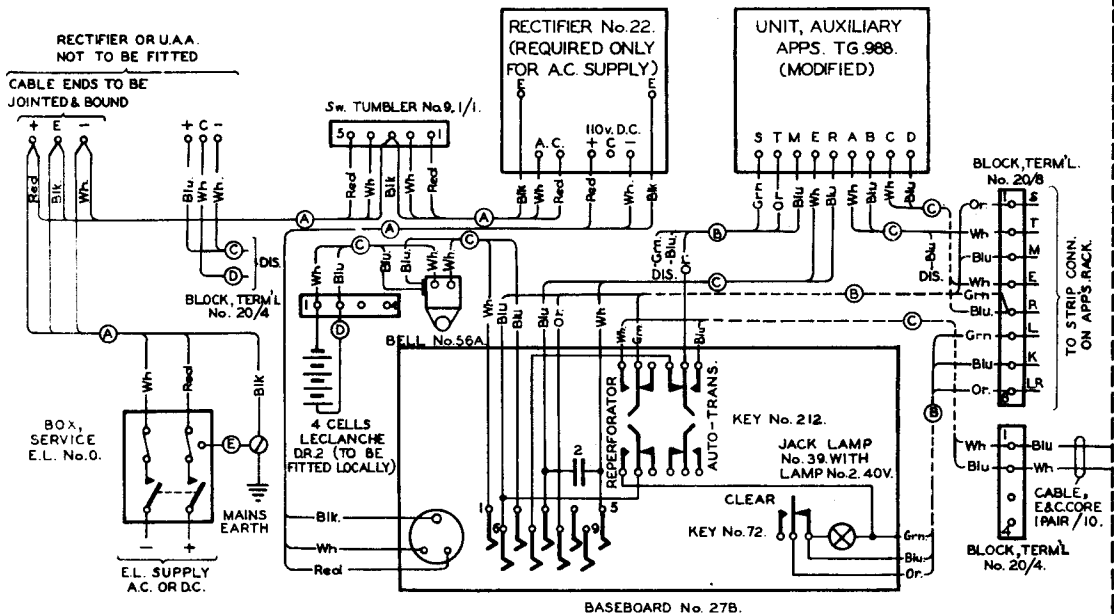


FIG. 4. CABLING OF HO POSITION, EQUIPMENT TABLE TG 1017. MODIFIED. (SEE NOTE 6.) FOR CABLE DESIGNATIONS SEE NOTE 2.