

CIRCULATION

GENERAL

P.W. TELEPRINTER BROADCAST SYSTEM.

HEAD OFFICE POSITION.

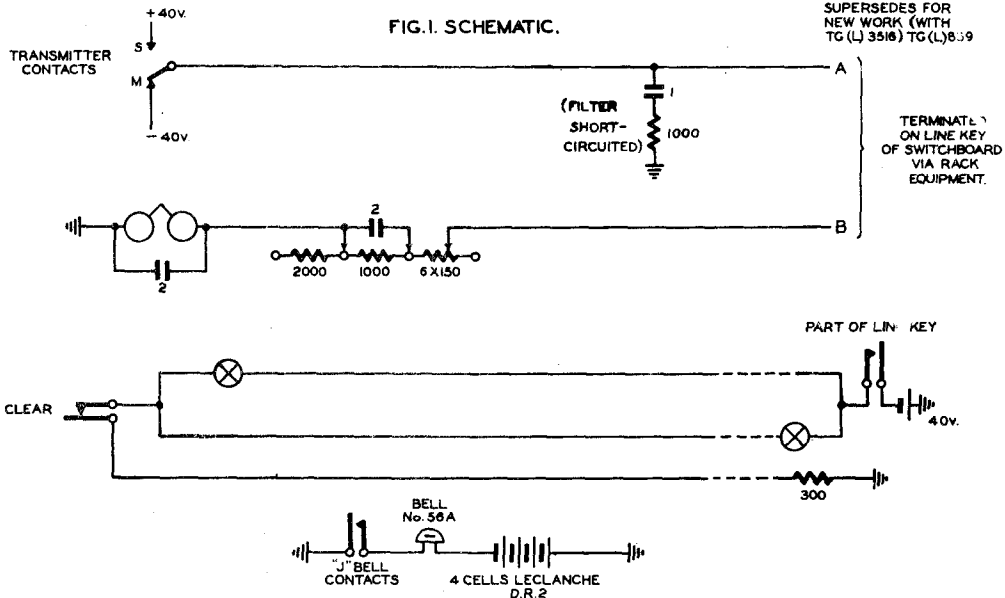
EQUIPMENT, TABLE TG. 1017, MODIFIED.

TG(L) 3515

4 PANELS - I
3. 6. 40.

SUPERSEDES FOR
NEW WORK (WITH
TG (L) 3516) TG (L) 859

FIG. I. SCHEMATIC.



TERMINATE ON LINE KEY
ON SWITCHBOARD
VIA RACK
EQUIPMENT.

AMENDMENT

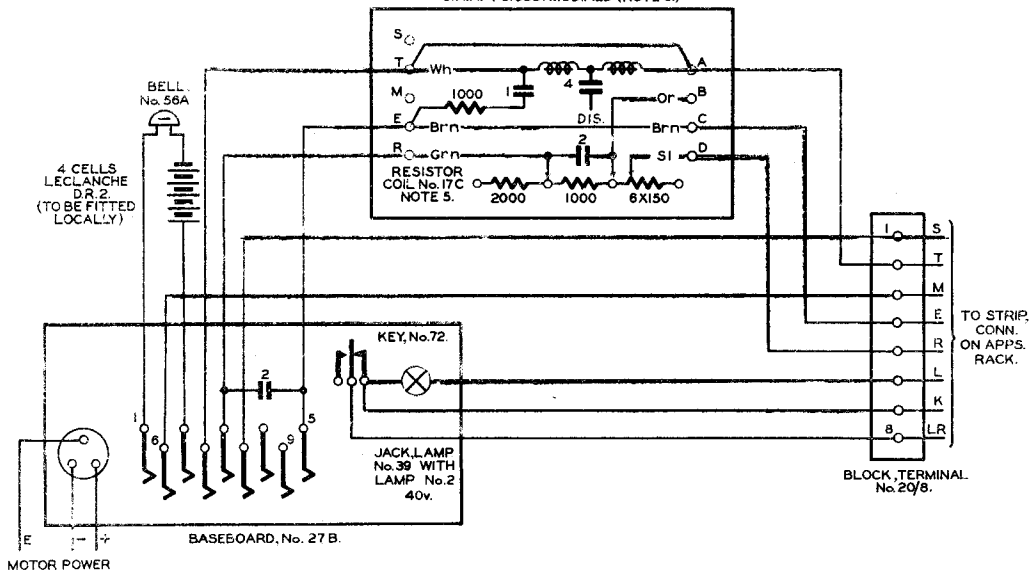
WHITE

TG(L) 3515.

4 PANELS--2.

FIG. 2. WIRING.

U. A. A. TG. 988. MODIFIED (NOTE 6.)



CIRCULATION

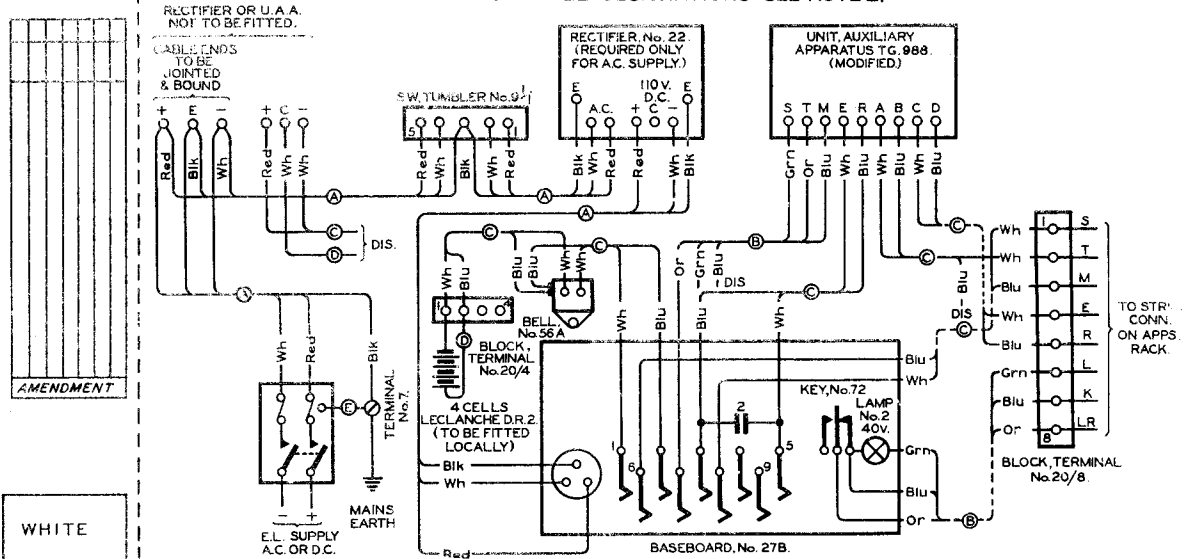
GENERAL

P.W. TELEPRINTER BROADCAST SYSTEM.
 HEAD OFFICE POSITION.
 EQUIPMENT, TABLE TG. 1017, MODIFIED.

TG(L) 3515
 4 PANELS-3
 3. 6. 40

SUPERSEDES⁵ FOR
 NEW WORK (WITH
 TG(L) 3516) TG(L) 839

FIG. 3. CABLING.
 FOR CABLE DESIGNATIONS SEE NOTE 2.



AMENDMENT

WHITE

TG(L) 3515

4 PANELS - 4

NOTES.

1. FOR SCHEMATIC CONNEXIONS OF TELEPRINTER No.7... SEE TG(L) 780.
FOR INTERNAL CONNEXIONS OF RECTIFIER No.22... SEE TG(L) 802.
2. THE VARIOUS CABLES ARE DESIGNATED AS FOLLOWS:-
 - (A) CABLE E.L. 250V. 0.001 Sq. In. 3 CORE.
 - (B) CABLE E.&C. CORE 3 WIRE/10.
 - (C) CABLE E.&C. CORE 1 PAIR /10.
 - (D) WIRE E.&F.P. 1 WIRE/20.
 - (E) WIRE COPPER SOFT STRANDED 3/20.INTERNAL CONNEXIONS OF BASEBOARD No.27B TO BE WIRE, SWITCHBOARD E.T.S. & C.C. 1 WIRE/ $9\frac{1}{4}$ BLUE.
3. THE POWER CABLING WHICH IS CONTINUOUS FOR D.C. SUPPLY SHOULD BE OPENED AT THE JOINT PROVIDED FOR THE INSERTION OF RECTIFIER No.22 WHEN THE SUPPLY IS A.C.
4. BASEBOARD No. 27B TO BE FITTED IN PLACE OF BASEBOARD No. 27. KEY No. 72 & JACK LAMP No. 39. TO BE FITTED IN BASEBOARD No. 27B. CABLES SHOWN CHAIN DOTTED & INTERNAL WIRING OF BASEBOARD ARE ADDITIONAL TO THE EQUIPMENT TABLE.
5. THE "B" LINE CURRENT SHOULD BE ADJUSTED TO 20 mA. BY MEANS OF THE ORANGE TAPPING ON RESISTOR COIL No. 17C OF U.A.A. TG 988.
6. CONDENSER M.C. No.103, TO BE DISCONNECTED, SINGLE SPARK QUENCH TO BE FITTED & TERMINALS A & T TO BE STRAPPED, ON U.A.A. TG 988.