

CIRCULATION.

BE PRINTED ON
K OF PANEL 2.

AMENDMENT.

TELEPRINTER P.W. CIRCUITS

CONNEXIONS FOR TELEPRINTER WITH LOCAL RECORD OBTAINED VIA
SEND-RECEIVE SWITCH. EQUIPMENT, TABLE TG 1017, (MODIFIED)

TG (L) 3512

4 PANELS—1
14.6.40.

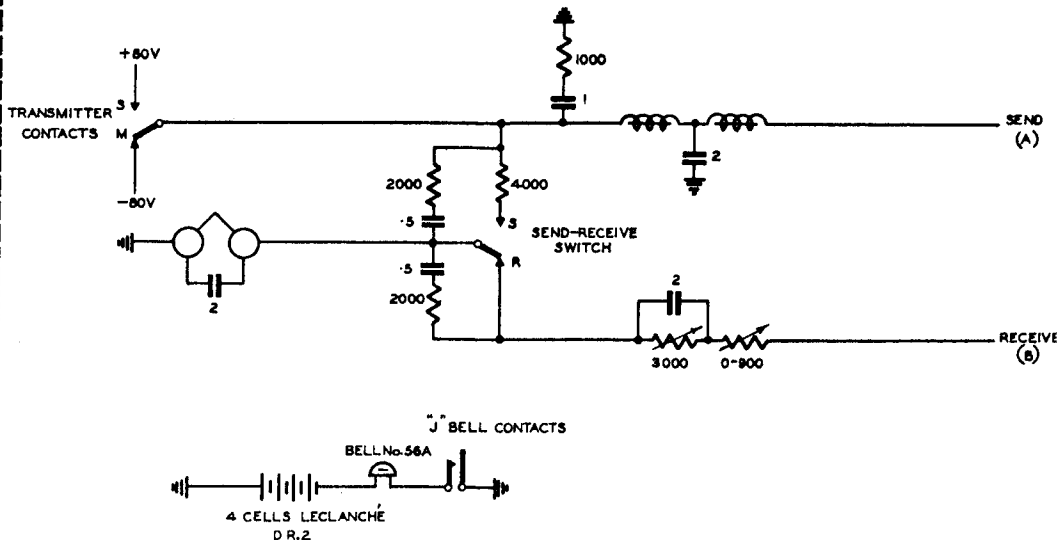


FIG. I. SCHEMATIC

TG (L) 3512

4 PANELS — 2

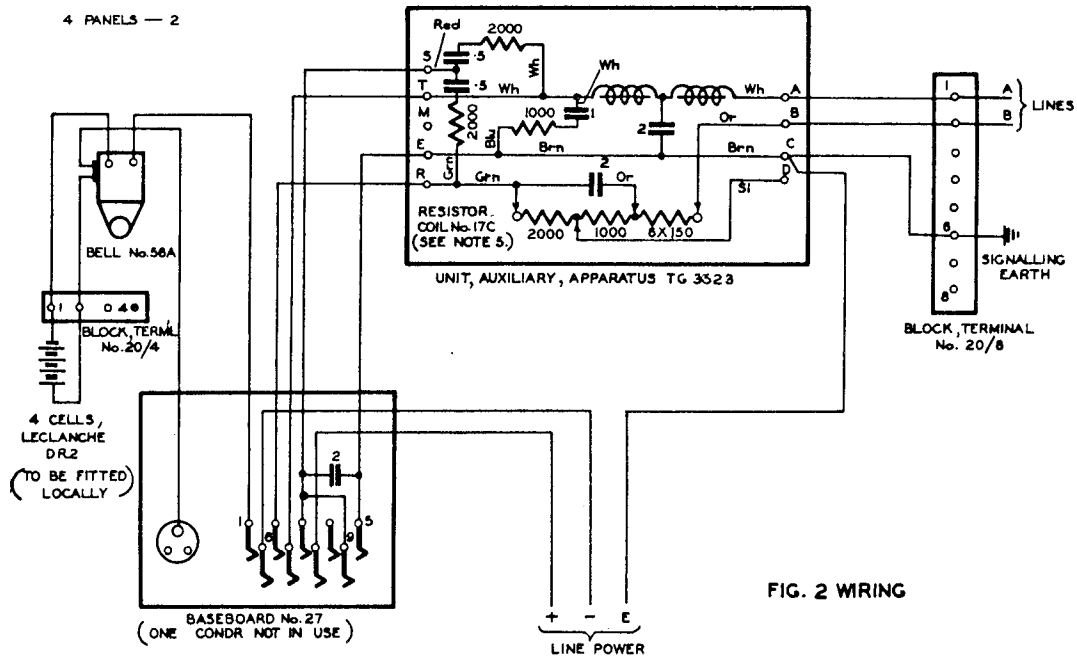


FIG. 2 WIRING

TELEPRINTER P.W. CIRCUITS

CONNEXIONS FOR TELEPRINTER WITH LOCAL RECORD OBTAINED VIA SEND-RECEIVE SWITCH.
EQUIPMENT, TABLE TG 1017, (MODIFIED)

TG(L) 3512

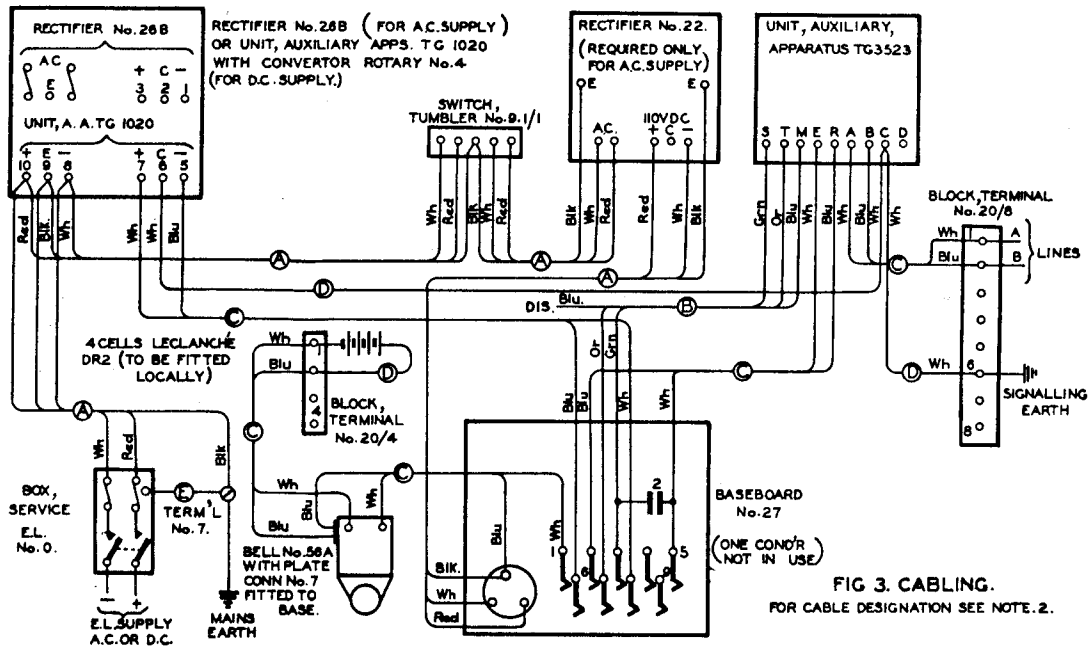
4 PANELS — 3
14.6.40.

FIG 3. CABLING.

FOR CABLE DESIGNATION SEE NOTE. 2.

AMENDMENT.

TG(L)3505

4 PANELS-4

NOTES:-

1 FOR SCHEMATIC CONDITIONS SEE TG...

"	"	CONNEXIONS	OF TELEPRINTER No.7... SEE TG(L)780.
"	INTERNAL	"	" RECTIFIER No.22... SEE TG(L)802.
"	"	"	" No.26B " TG(L)1058.
"	"	"	" UNIT, A.A. TG 1020 " TG(L)1020.

2. THE VARIOUS CABLES ARE DESIGNATED AS FOLLOWS:-

(A) CABLE E.L., 250V. 0.001 SQ. IN. 3 CORE.

(B) " E&C CORE 3 WIRE/10.

(C) " " " 1 PAIR/10.

(D) WIRE E&F.P. 1 WIRE/20.

(E) " COPPER SOFT STRANDED 3/20.

INTERNAL CONNECTIONS OF BASEBOARD No.27B TO BE WIRE SWBD. E.T.S. & C.C. 1 WIRE/9 1/2 BLUE.

3. THE B LINE CURRENT SHOULD BE ADJUSTED TO 20 mA. BY MEANS OF THE ORANGE TAPPING ON RESISTOR COIL No.17C. OF UNIT, A.A. TG 988.

4. THE POWER CABLING WHICH IS CONTINUOUS FOR D.C. SUPPLY SHOULD BE OPENED AT THE JOINT PROVIDED FOR THE INSERTION OF RECTIFIER No.22. WHEN SUPPLY IS A.C.

5. BASEBOARD No.27B TO BE FITTED IN PLACE OF BASEBOARD No.27.

KEY No.216, RELAY No.508A & JACK LAMP No.39 TO BE FITTED IN BASEBOARD No.27B.

CABLES SHOWN DOTTED AND INTERNAL WIRING OF BASEBOARD No.27B ARE ADDITIONAL TO THE EQUIPMENT TABLE.

TGL 3512

4