

CIRCULATION.

GENERAL

TO BE PRINTED ON  
BACK OF PANEL 2.



AMENDMENT.

WHITE

TG(L)3512/1  
3 PANELS-1  
24.5.44

EQUIPMENT, TABLE TG1017. MODIFIED TO OBTAIN LOCAL RECORD VIA TELEPRINTER  
SEND-RECEIVE SWITCH.

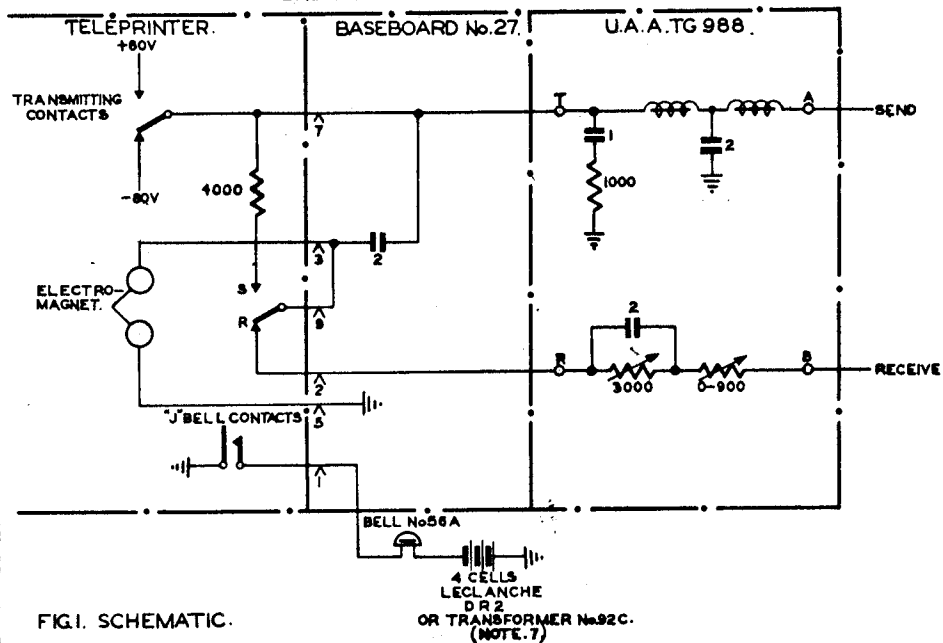


FIG.1. SCHEMATIC.



CIRCULATION

GENERAL

TG(L) 3512/1  
3 PANELS-3  
24.5.44.

## NOTES:-

1 FOR SCHEMATIC CONNEXIONS OF TELEPRINTER No.7, PROVIDING SEND-RECEIVE SWITCH LOCAL RECORD WORKING SEE TG(L) 101 AND WORKS SPECIFICATION TG 9035.

FOR INTERNAL CONNEXIONS OF RECTIFIER No.22 SEE TG(L) 802

" " " " " No.25B SEE TG(L) 1058

" " " " " UNIT, AUXILIARY APPARATUS TG 1020 SEE TG(L) 1020

" " " " " TG 988 " TG(L) 988

## 2. THE VARIOUS CABLES ARE DESIGNATED AS FOLLOWS:-

(A) CABLE E.L.250V. 0.001sq. ins. 3CORE.

(B) " " E & C CORE 3 WIRE / 10

(C) " " " " 1 PAIR / 10

(D) WIRE E & F.P. 1 WIRE / 20

(E) " " COPPER SOFT STRANDED 3/20.

INTERNAL CONNEXIONS OF BASEBOARD No.27. TO BE WIRE SWBD. E.T.S. & C.C. 1 WIRE / 0 1/2 BLUE

3. THE POWER CABLING WHICH IS CONTINUOUS FOR D.C. SUPPLY SHOULD BE OPENED AT THE JOINT PROVIDED FOR THE INSERTION OF RECTIFIER No.22. WHEN SUPPLY IS AC.

4. THE B LINE CURRENT SHOULD BE ADJUSTED TO 20ma. BY MEANS OF THE ORANGE TAPPING ON RESISTOR COIL No.17C OF UNIT, A.A. TG 988 1000Ω SECTION TO BE SHORT-CIRCUITED IF REQUIRED FOR LONG LINES.

5. THE MODIFICATIONS WHICH ARE NECESSARY TO THE WIRING OF AN EQUIPMENT, TABLE TG 1017 (DIAG. TG 1018) IN ORDER TO CONFORM WITH THIS DIAGRAM ARE AS FOLLOWS:-

(A) TRANSFER THE WIRE FROM TAG 2 ON BASEBOARD No.27. TO THE TABLE EARTH.

(B) " " " " 3 " " " TAG 2 ON BASEBOARD No.27.

(C) STRAP TAGS 3 & 9 ON BASEBOARD No.27.

(D) 2μF ACROSS TAGS 3 & 5 ON BASEBOARD No.27. TO BE DISCONNECTED & RECONNECTED ACROSS TAGS 3 & 7.

6. FOR WIRING OF STANDARD TABLE SEE TG(L) 1017.

7. FOR WIRING OF TRANSFORMER No 92C WHEN BELL SUPPLY OBTAINED FROM A.C. MAINS SEE DGM TG(L) 1017 FIG.4.

AMENDMENT

WHITE