

CIRCULATION

GENERAL

EQUIPMENT, TABLE TG 1017, MODIFIED TO OBTAIN LOCAL RECORD,
VIA TELEPRINTER SEND-RECEIVE SWITCH.

TG(L)3512/0

4 PANELS—1

14.6.40.

Superseded for new work
by TG(L)3512/1

Notes amended, Note 5 added.	(1)	(2)	(3)	(4)	(5)	(6)	(7)	(8)	(9)	(10)
Note 1 amended, Note 5 added.										
Note 7 & Suppression note added/Note 1 & 2/4 amended.										
AMENDMENT.										

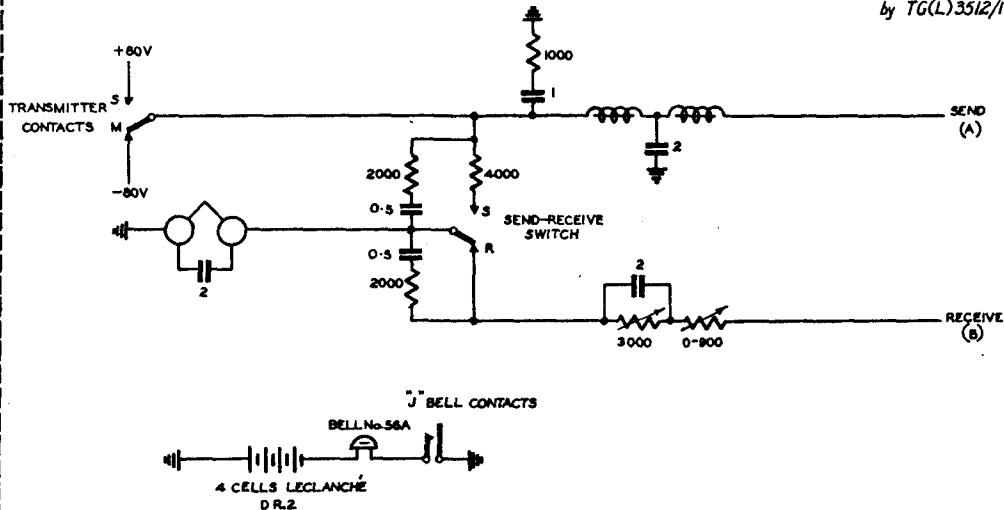


FIG.1. SCHEMATIC

W

TG (L) 3512/0

4 PANELS — 2

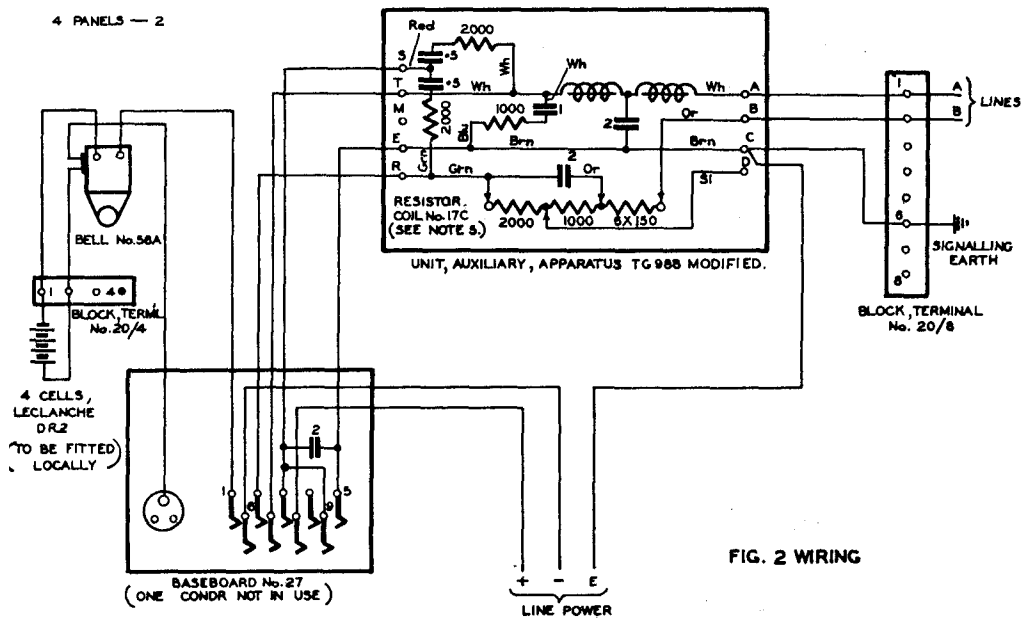


FIG. 2 WIRING

CIRCULATION.
GENERAL.

EQUIPMENT, TABLE TG 1017, MODIFIED TO OBTAIN LOCAL RECORD,
VIA TELEPRINTER SEND-RECEIVE SWITCH.

TG(L) 3512/0

4 PANELS — 3
14.8.40.

Superseded for new work
by TG(L)3512/1

118366 A
Note 1 amended. Note 5 added.
To 1 Suppression note added. Talk margin No. 544 B

AMENDMENT.

W

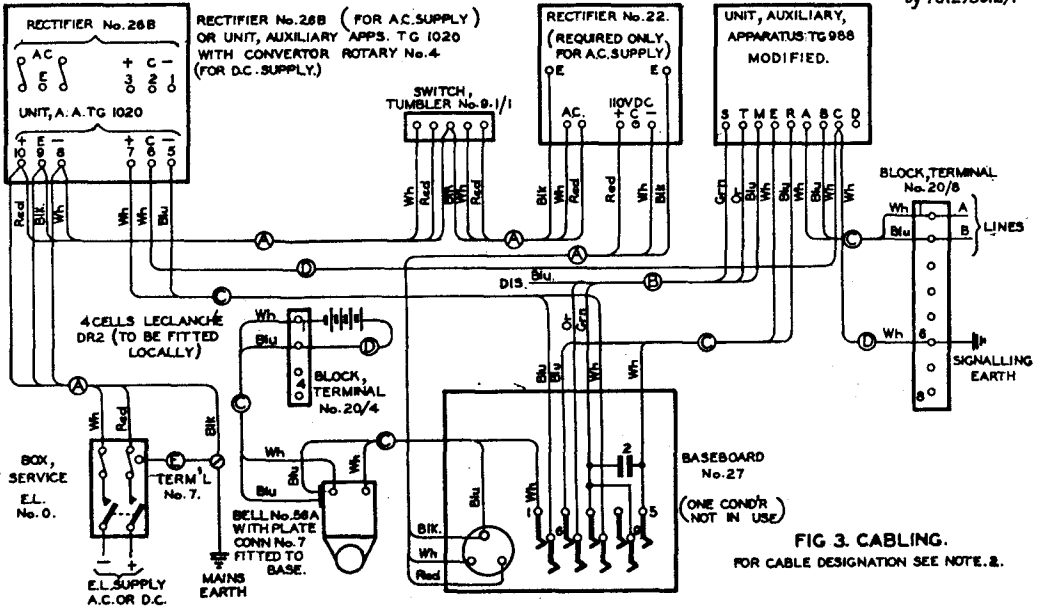


FIG 3. CABLING.
FOR CABLE DESIGNATION SEE NOTE. 2.

TG(L) 3512/0

4 PANELS — 4

NOTES :-

1. FOR SCHEMATIC CONNEXIONS OF TELEPTR. No.7. PROVIDING SEND-RECEIVE SWITCH LOCAL RECORD WORKING SEE TG(L)1101 FOR INTERNAL CONNEXIONS OF RECTIFIER No.22 SEE TG(L) 802.
 " " " " " No.288 SEE TG(L) 105B.
 " " " " " UNIT AUXILIARY APPARATUS TG 1020 SEE TG(L) 1020.
 " " " " " TG 988 " TG(L) 988.
2. THE VARIOUS CABLES ARE DESIGNATED AS FOLLOWS :-
 (A) CABLE E.L. 250V 0.001 sq. ins 3 CORE.
 (B) " " E&C CORE 3 WIRE / 10.
 (C) " " " " 1 PAIR / 10.
 (D) WIRE E&FP 1 WIRE / 20.
 (E) " " COPPER SOFT STRANDED 3/20.
 INTERNAL CONNEXIONS OF BASEBOARD No.27 TO BE WIRE Swbd. E.T.S & C.C. 1 WIRE / 9½ BLUE.
3. THE POWER CABLING WHICH IS CONTINUOUS FOR D.C. SUPPLY SHOULD BE OPENED AT THE JOINT PROVIDED FOR THE INSERTION OF RECTIFIER No.22 WHEN SUPPLY IS A.C.
4. THE B LINE CURRENT SHOULD BE ADJUSTED TO 20mA BY MEANS OF THE ORANGE TAPPING ON RESISTOR COIL No.17C. OF UNIT, A.A. T.G. 888. 1000^Ω SECTION TO BE SHORT-CIRCUITED IF REQUIRED FOR LONG LINES.
5. THE MODIFICATIONS WHICH ARE NECESSARY TO THE WIRING OF AN EQUIPMENT, TABLE TG 1017 IN ORDER TO CONFORM WITH THIS DIAGRAM ARE AS FOLLOWS :-
 (A) TRANSFER THE WIRE FROM TAG 2 ON B.B. No.27. TO THE TABLE EARTH.
 (B) " " " " " 3 " " " " TAG 2 ON B.B. No.27.
 (C) STRAP TAGS 3 & 9 ON B.B. No.27.
 (D) CONNECT 2 CONDENSERS 0.5µF & 2 RESISTORS COIL No.12, 2000 OHMS. AS SHOWN IN DIAGRAM OF TG 988 MODIFIED (PANEL 2)
6. FOR WIRING OF STANDARD TABLE SEE TG(L) 1017.