

CIRCULATION

TG(L)3505

OUT-OFFICE EXTENSION FROM SWBD. TG1090.
EQUIPMENT TABLE TG 1017, MODIFIED.

4 PANELS-1
27.11.39

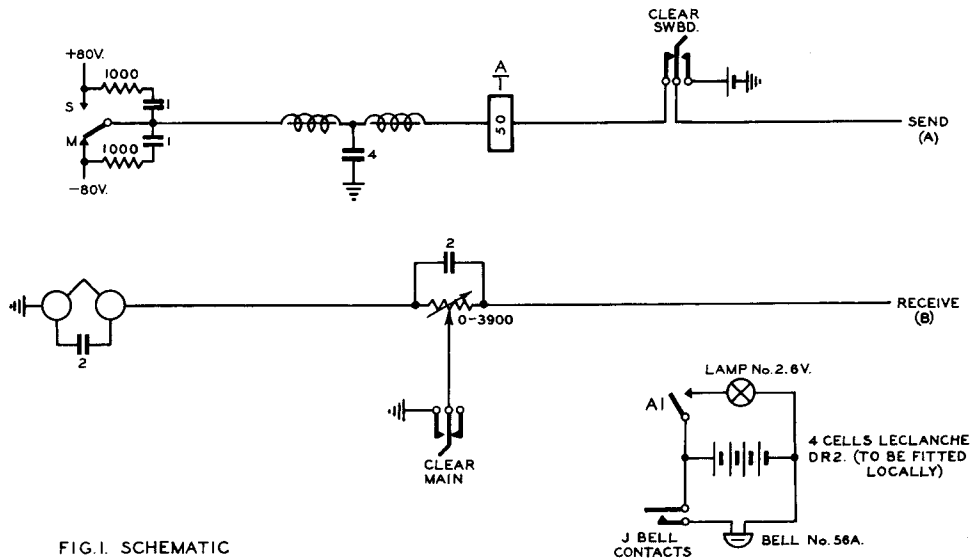


FIG. I. SCHEMATIC

AMENDMENT

TG(L) 3505

4 PANELS - 2

UNIT, AUXILIARY APPARATUS TG 988.

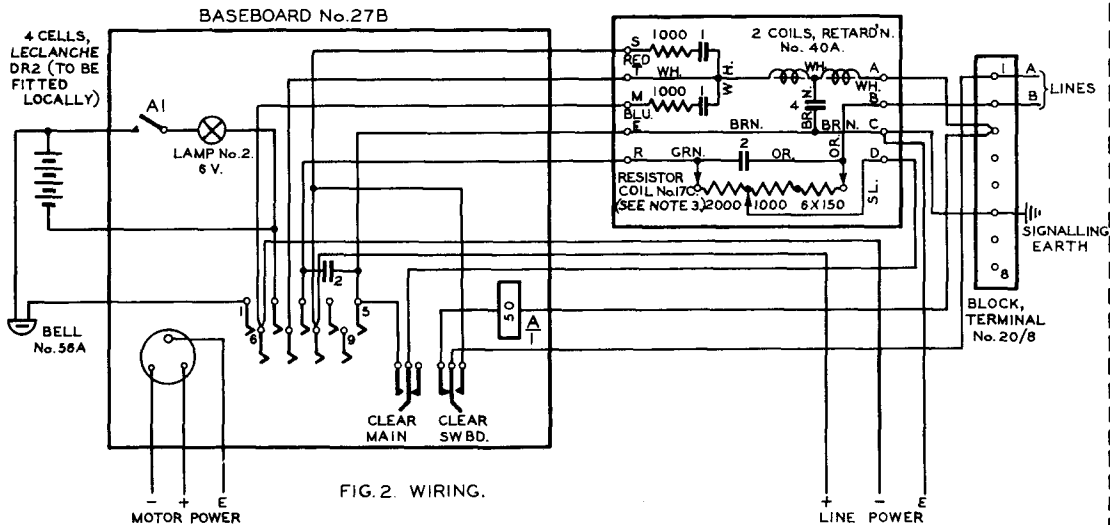


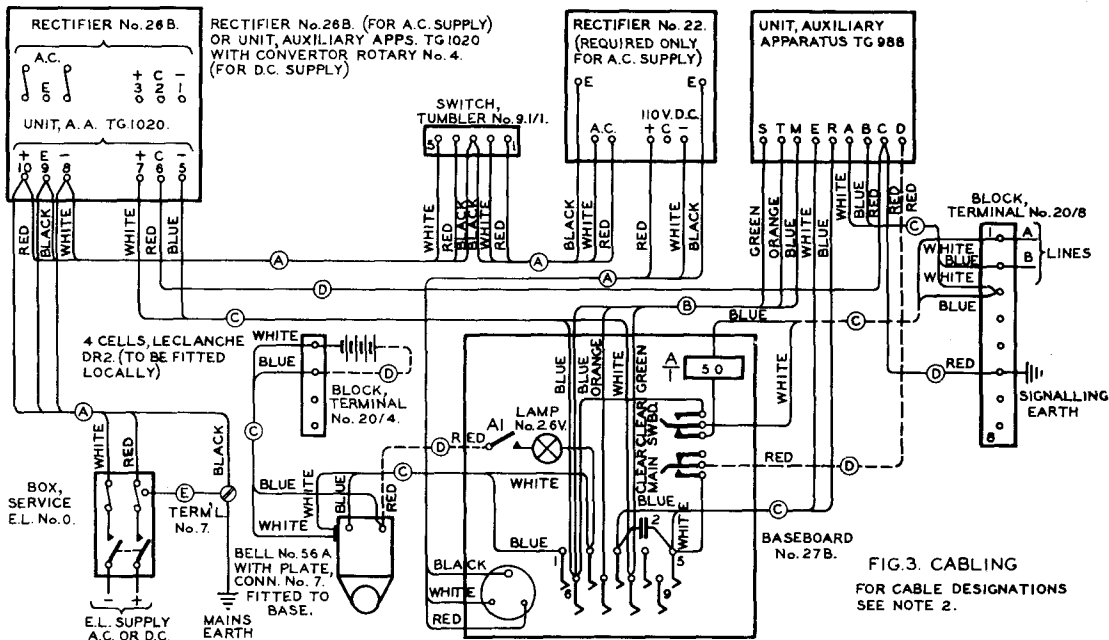
FIG. 2. WIRING.

OUT-OFFICE EXTENSION FROM SWBD. TG1090. EQUIPMENT TABLE TG 1017, MODIFIED.

TG(L)3505

4 PANELS-3

27.11.39



TG(L)3505

4 PANELS-4

NOTES:-

1. FOR SCHEMATIC CONDITIONS SEE TG...
 - " " CONNEXIONS OF TELEPRINTER No.7... SEE TG(L)780.
 - " INTERNAL " " RECTIFIER No.22... SEE TG(L)802.
 - " " " " No.26B " TG(L)058.
 - " " " " UNIT,A.A. TG1020 " TG(L)1020.
2. THE VARIOUS CABLES ARE DESIGNATED AS FOLLOWS :-
 - (A) CABLE E.L.,250V. 0.001 SQ. IN. 3 CORE.
 - (B) " " E.&C. CORE 3 WIRE/10.
 - (C) " " " " 1 PAIR/10.
 - (D) WIRE E&F.P. 1 WIRE/20.
 - (E) " COPPER SOFT STRANDED 3/20.INTERNAL CONNECTIONS OF BASEBOARD No.27B TO BE WIRE SWBD. E.T.S.& C.C. 1 WIRE/9 $\frac{1}{4}$ BLUE.
3. THE B LINE CURRENT SHOULD BE ADJUSTED TO 20 mA. BY MEANS OF THE ORANGE TAPPING ON RESISTOR COIL No.17C. OF UNIT,A.A. TG 988.
4. THE POWER CABLING WHICH IS CONTINUOUS FOR D.C. SUPPLY SHOULD BE OPENED AT THE JOINT PROVIDED FOR THE INSERTION OF RECTIFIER No.22. WHEN SUPPLY IS A.C.
5. BASEBOARD No.27B TO BE FITTED IN PLACE OF BASEBOARD No.27.
KEY No.216, RELAY No.506A & JACK LAMP No.39 TO BE FITTED IN BASEBOARD No.27B.
CABLES SHOWN DOTTED AND INTERNAL WIRING OF BASEBOARD No.27B ARE ADDITIONAL TO THE EQUIPMENT TABLE.

OUT-OFFICE EXTENSION FROM SWBD. TG1090.
EQUIPMENT TABLE TG 1017, MODIFIED.

TG(L)3505

4 PANELS-1

27-11-39

SUPERSEDED FOR NEW WORK
BY TG(L)3507.

Suppression Note added.																			

AMENDMENT

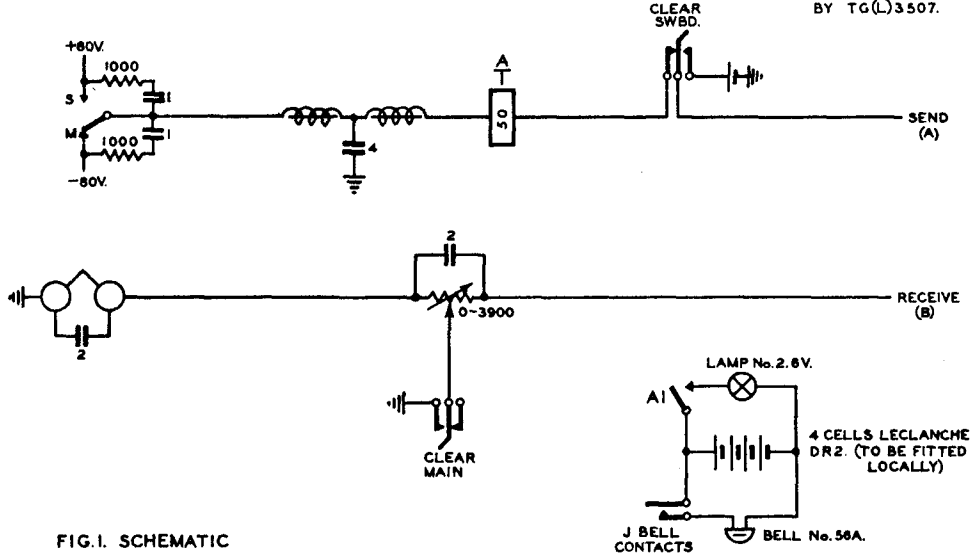


FIG. 1. SCHEMATIC

TG(L) 3505

4 PANELS - 2

UNIT, AUXILIARY APPARATUS TG 988.

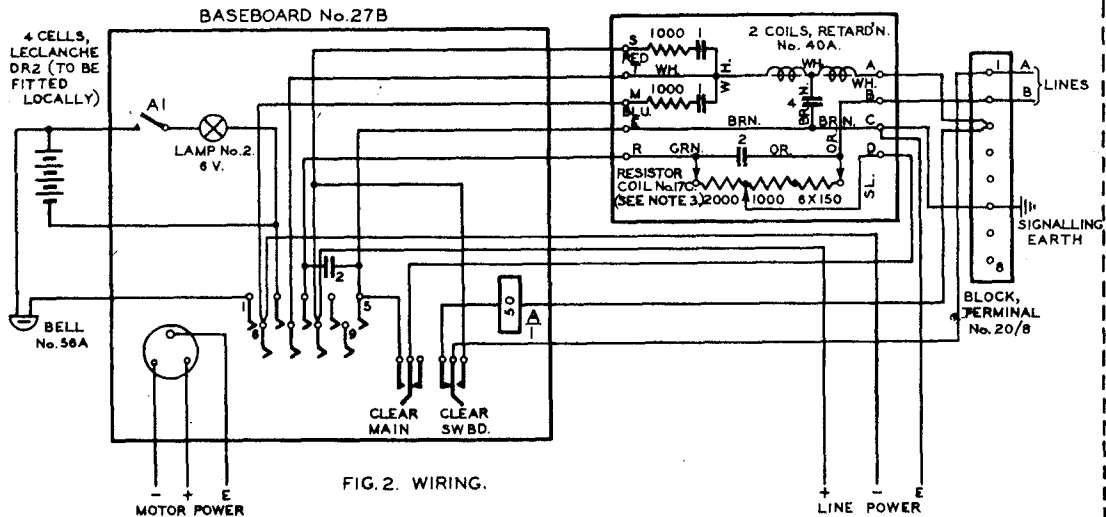


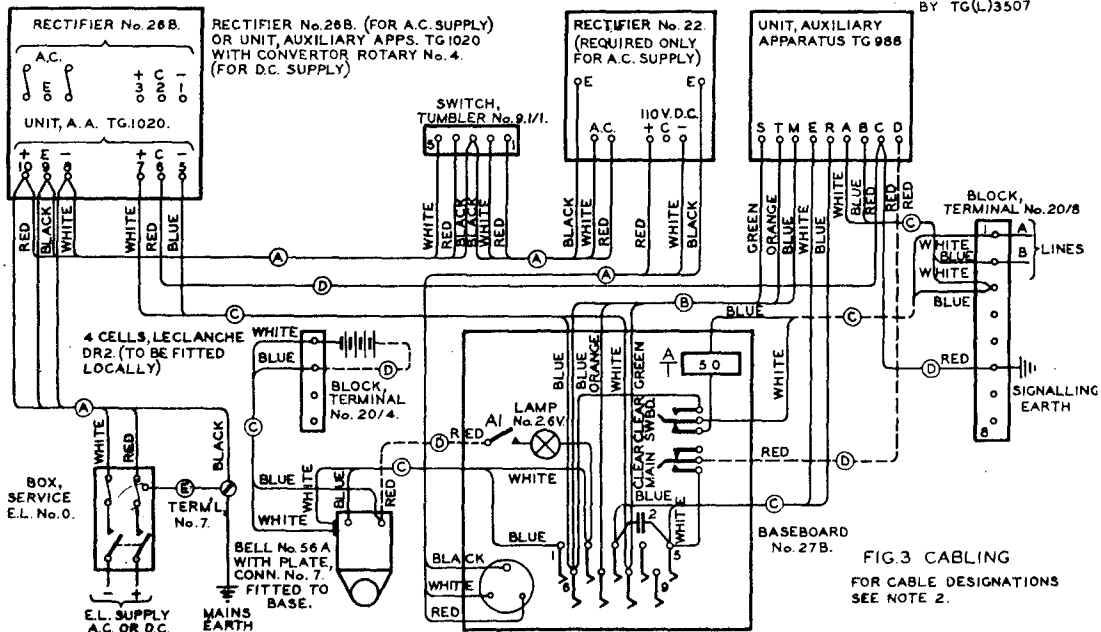
FIG. 2. WIRING.

OUT-OFFICE EXTENSION FROM SWBD. TG1090. EQUIPMENT TABLE TG 1017, MODIFIED.

TG(L)3505

4 PANELS - 3

27-11-39

SUPERSEDED FOR NEW WORK
BY TG(L)3507

Suppression Note added

AMENDMENT

W

TG(L) 3505

4 PANELS-4

NOTES:-

1. FOR SCHEMATIC CONDITIONS SEE TG...
 - " " CONNEXIONS OF TELEPRINTER No.7...SEE TG(L)780.
 - " INTERNAL " " RECTIFIER No.22...SEE TG(L)802.
 - " " " " No.26B " TG(L)1058.
 - " ● " " " UNIT,A.A. TG 1020 " TG(L)1020.
2. THE VARIOUS CABLES ARE DESIGNATED AS FOLLOWS :-
 - (A) CABLE E.L.,250V. 0.001 SQ. IN. 3 CORE.
 - (B) " " E&C. CORE 3 WIRE/10.
 - (C) " " " " 1 PAIR/10.
 - (D) WIRE E&F.P. 1 WIRE/20.
 - (E) " " COPPER SOFT STRANDED 3/20.INTERNAL CONNECTIONS OF BASEBOARD No.27B TO BE WIRE SWBD. E.T.S. & C.C. 1 WIRE/9 $\frac{1}{2}$ BLUE.
3. THE B LINE CURRENT SHOULD BE ADJUSTED TO 20 mA. BY MEANS OF THE ORANGE TAPPING ON RESISTOR COIL No.17C. OF UNIT,A.A. TG 988.
4. THE POWER CABLING WHICH IS CONTINUOUS FOR D.C. SUPPLY SHOULD BE OPENED AT THE JOINT PROVIDED FOR THE INSERTION OF RECTIFIER No.22. WHEN SUPPLY IS A.C.
5. BASEBOARD No.27B TO BE FITTED IN PLACE OF BASEBOARD No.27.
KEY No.218, RELAY No.506A & JACK LAMP No.39 TO BE FITTED IN BASEBOARD No.27B.
CABLES SHOWN DOTTED AND INTERNAL WIRING OF BASEBOARD No.27B ARE ADDITIONAL TO THE EQUIPMENT TABLE.