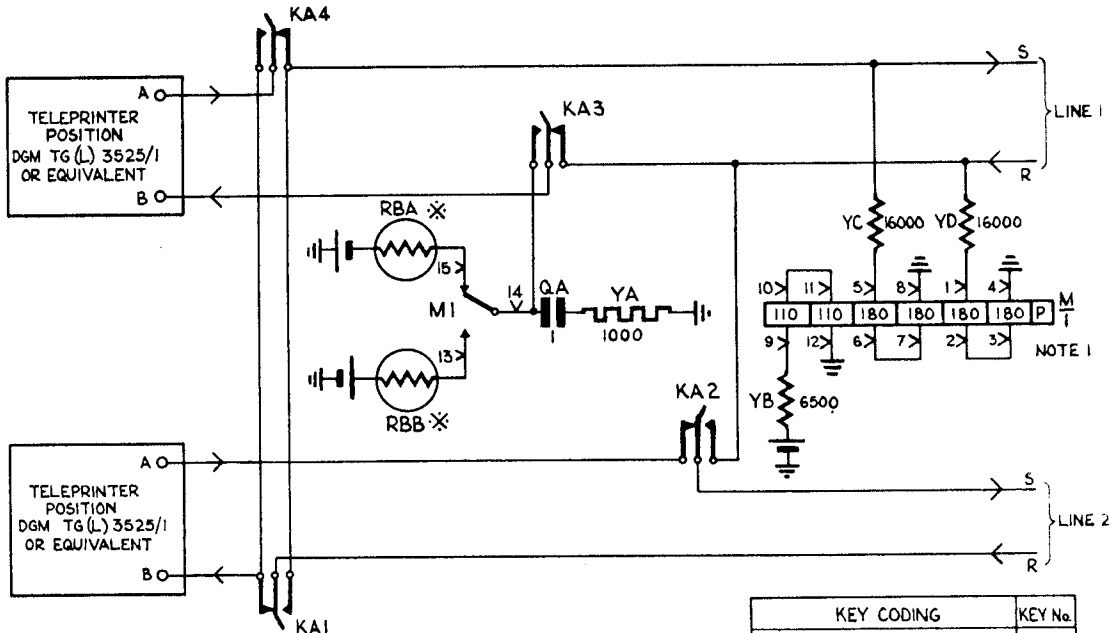


# THROUGH CONNEXION OF TWO POINT-TO-POINT CIRCUITS WITH INTERMEDIATE MONITORING

TG (L) 3074

CIRCULATION	GENERAL
Suffix	
Amend	
PAPER	WHITE



- NOTES :-
1. RELAY 299 AN
  2. \* INDICATES RESISTOR BULB No.11 - 100 Ω.

KEY CODING	KEY No.
CIRCUIT THROUGH (KA) 4	73