

# EQUIPMENT TABLE TG 995

MODIFIED FOR USE AS A BROADCASTING STATION

TG(L) 3049  
2 PANELS - 2  
11-4-47

GENERAL

1964-7 A

A. U. W.

GZ

This Amended B

W

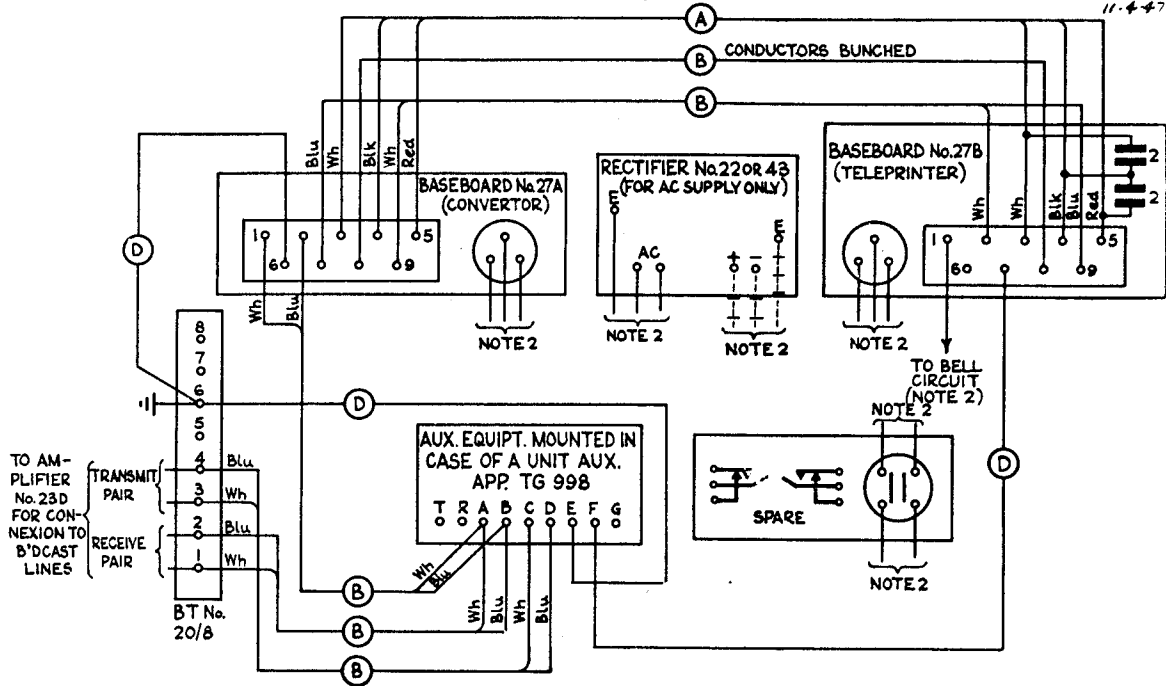


FIG. 2. CABLING (NOTE 1)

# TG(L) 3049

2 PANELS - 1

## NOTES (FIGS. 1 & 2)

1. THIS DIAGRAM SHOWS ONLY THE MODIFICATIONS NECESSARY ON AN EQUIPT. TABLE TG 995 TO MAKE IT SUITABLE FOR V.F. BROADCAST PURPOSES. FOR THOSE PARTS OF THE CCT. WHICH REMAIN UNMODIFIED, SEE DIAG. TG (L) 995 THE NOTES OF WHICH APPLY EQUALLY TO THIS DIAGRAM.
2. WIRED AS SHOWN ON DIAG. TG (L) 995 FIG. 6.

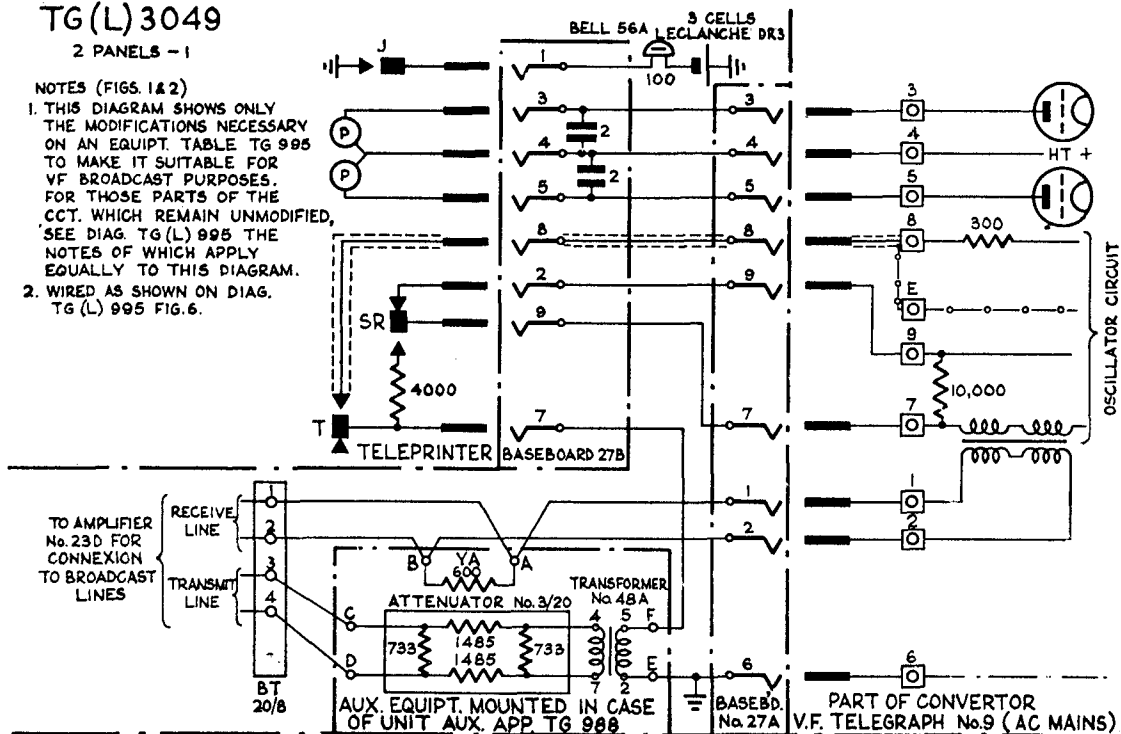


FIG. 1. SCHEMATIC (NOTE 1)