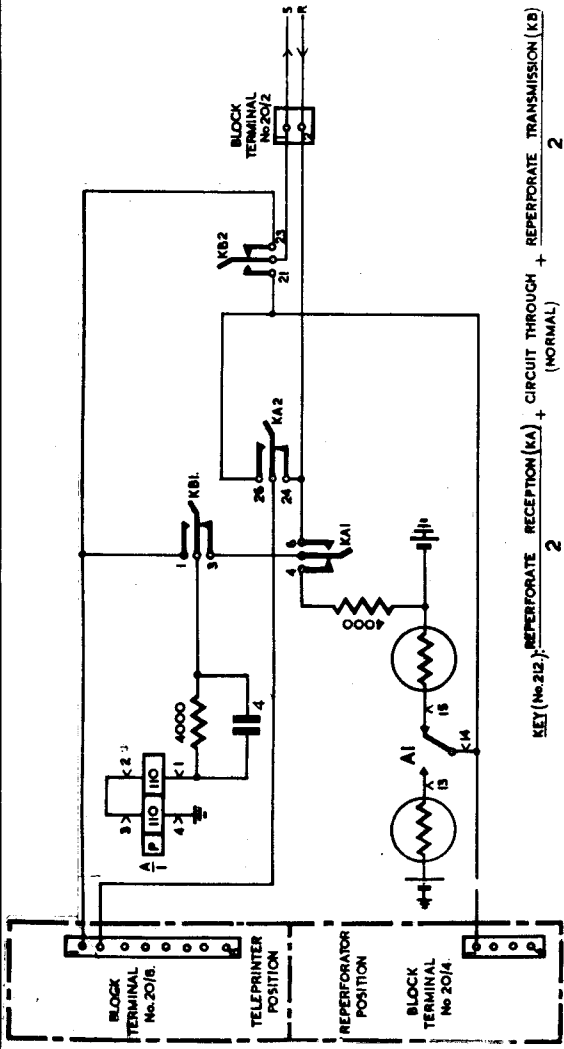


REPERFORATOR AVAILABLE TO SEND OR RECEIVE LINE OF A TELEPRINTER CIRCUIT

TG(L) 3034
PAGE I
ISSUE B

NOTES:

1. FOR WIRING OF TELEPRINTER POSITION SEE DGM. TG(L)3525
2. FOR WIRING OF REPERFORATOR POSITION SEE DGM TG(L) 3550
3. RELAY 'A' IS RELAY, No. 320-AN.



P.O.E.D.
S. B.C.H.

PAPER :- W
CIRCULATION :-
GENERAL

ISSUE			
A	NEW FORMAT.		21-1-67
B	CONTACT A LABELLED A BOV BATT. REARRANGED NO CIRCUIT CHANGE A.E.P. A.H.W.		4-7-66
	H.E.W		22-3-66