

AUTO TRANSMITTER AVAILABLE TO ONE OR MORE TELEPRINTER CIRCUITS BY KEY SWITCHING USING TRANSMITTER, AUTOMATIC No.2D OR EQUIVALENT AND EQUIPMENT, TABLE DTN.2000

TG (L) 3022

4 PANELS -1
SUPERSEDES DGM
TG 3109 & 3513
FOR NEW WORK

GENERAL

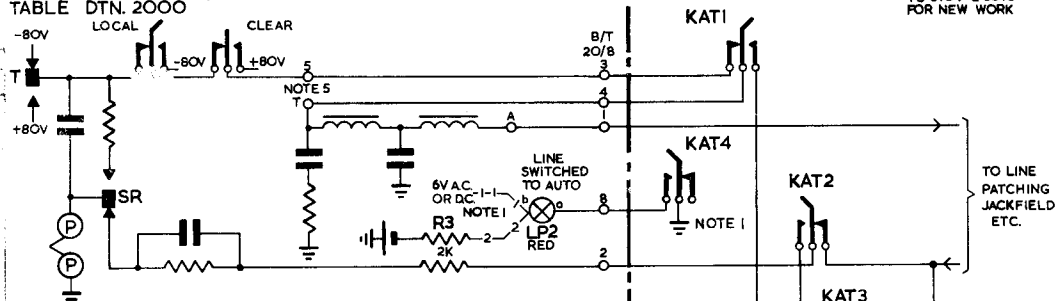


FIG.1 EQUIPMENT, TABLE DTN 2000 (MODIFIED) NOTE 5
DGM. TG(L) 3525/30R EQUIVALENT WITH ADDITIONAL LAMP WHEN REQUIRED
(NOTE 4) (EXPLANATORY ONLY)

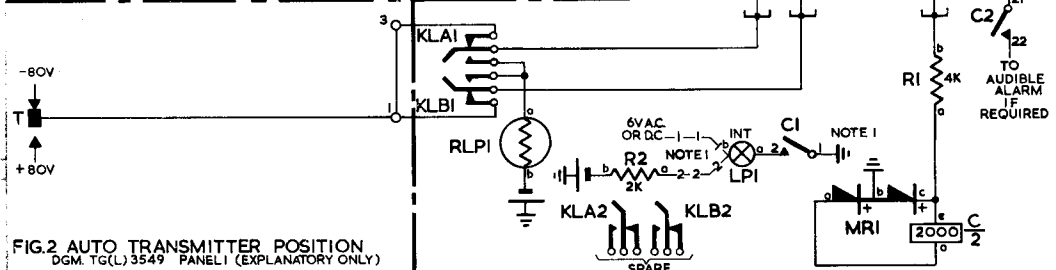


FIG.2 AUTO TRANSMITTER POSITION
DGM. TG(L) 3549 PANEL 1 (EXPLANATORY ONLY)

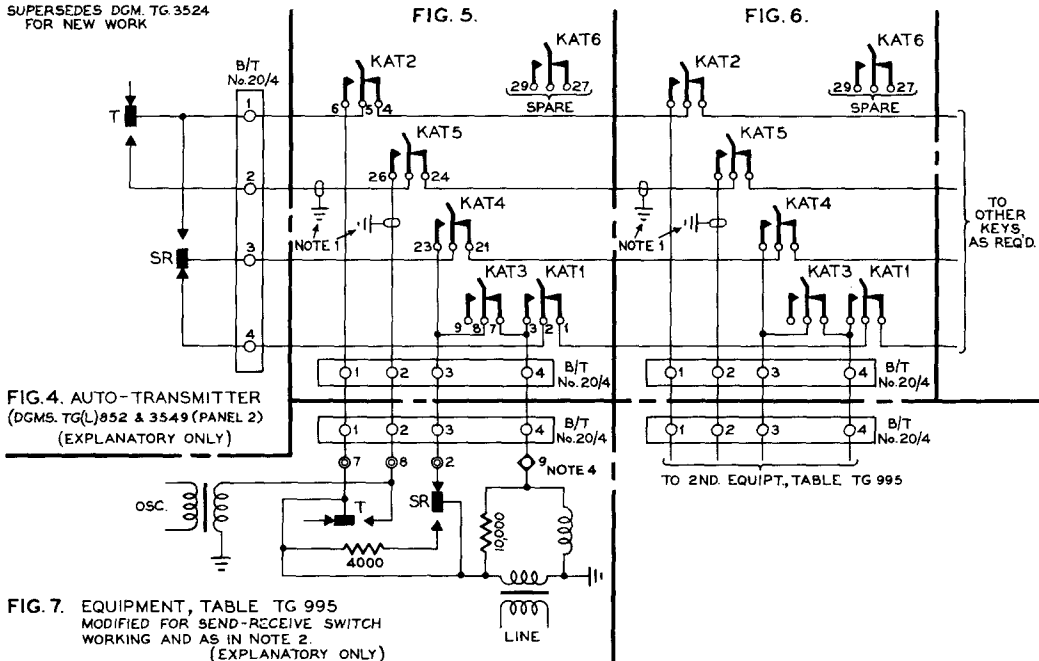
FIG.3 KEY SWITCHING EQUIPMENT

SWITCHED TO AUTO LAMP ADDED
 L.F.R.
 REDRAWN PANEL 3 ROBEY PANEL 4 WITH PANEL 3 MINOR CHANGES FROM 19-4-51 LG
 RELAY C RECORDED RESISTOR RI WAS 4K (PANEL 3) FROM 25-7-62 H

TG(L) 3022

4 PANELS - 2
 SUPERSEDES DGM. TG 3524
 FOR NEW WORK

USING TRANSMITTER, AUTOMATIC No.2D. OR EQUIVALENT
 AND EQUIPT., TABLE TG 995



AUTO TRANSMITTER AVAILABLE TO ONE OR MORE TELEPRINTER CIRCUITS BY KEY SWITCHING
 USING TRANSMITTER, AUTOMATIC No.2F OR EQUIVALENT AND EQUIPMENT,
 TABLE DTN 2000

TG(L) 3022
 4 PANELS -3

GENERAL

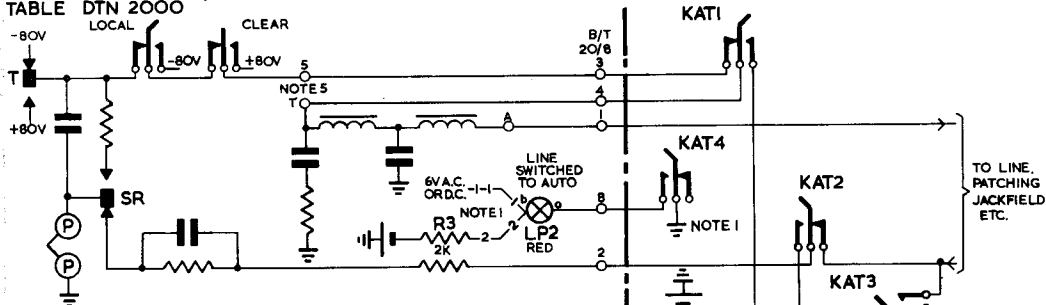


FIG.8 EQUIPMENT, TABLE DTN 2000 (MODIFIED) NOTES
 (DGM, TG(L) 3525/3) OR EQUIVALENT WITH ADDITIONAL LAMP WHEN REQUIRED
 (NOTE 4) (EXPLANATORY ONLY)

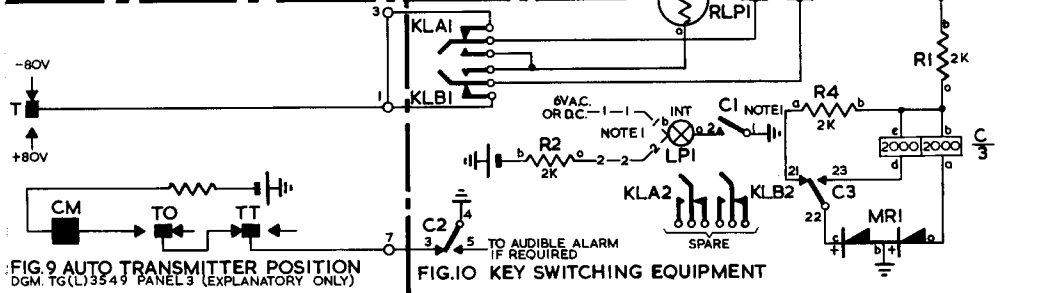


FIG.9 AUTO TRANSMITTER POSITION
 DGM, TG(L) 3549 PANEL 3 (EXPLANATORY ONLY)

FIG.10 KEY SWITCHING EQUIPMENT

SWITCHED TO AUTO LAMP ADDED
 L.F.R. 9-8-54
 PROGRAM PANEL 3 REWIND PANEL 5 WITH PANEL 3, PINOK AND PRINTS BY CHAS. 4-61 G
 RELAY C RECORDED RESISTOR R1 WAS 4K (PANEL 3) 25-7-52 H

0-8-54 F
 L.F.R.
 SWITCHED TO AUTO: LAMP ADDED
 REMAINING PANELS CHECKED: PANEL 1 WAS PANEL 3 (SPRING MEASUREMENTS)
 RELAY C RECORDED RESISTOR RI WAS 4K (PANEL 3)
 NOTE 3: KEY NO 6B WAS KEY NO 212
 AMEND
 W

AUTO TRANSMITTER AVAILABLE TO ONE OR MORE
 TELEPRINTER CIRCUITS BY KEY SWITCHING
 USING TRANSMITTER, AUTOMATIC No.2D OR EQUIVALENT AND EQUIPMENT,
 TABLE DTN. 2000

TG (L) 3022
 4 PANELS -1
 SUPERSEDES DGMs
 TG 3109 & 3513
 FOR NEW WORK

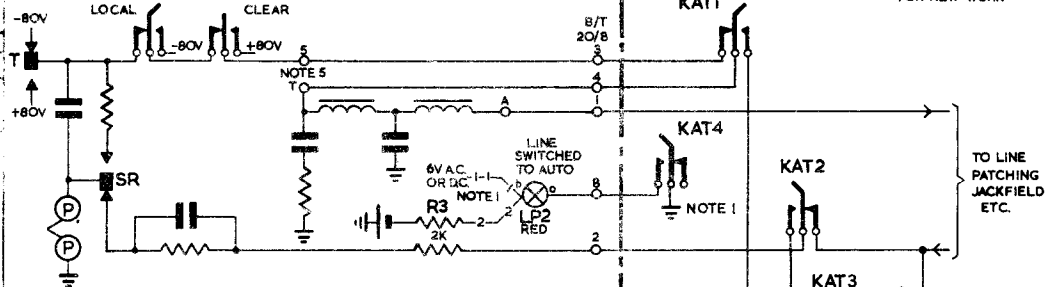


FIG.1 EQUIPMENT, TABLE DTN 2000 (MODIFIED) NOTE 5
 (DGM TG(L) 3525/9 OR EQUIVALENT WITH ADDITIONAL LAMP WHEN REQUIRED
 (NOTE 4) (EXPLANATORY ONLY)

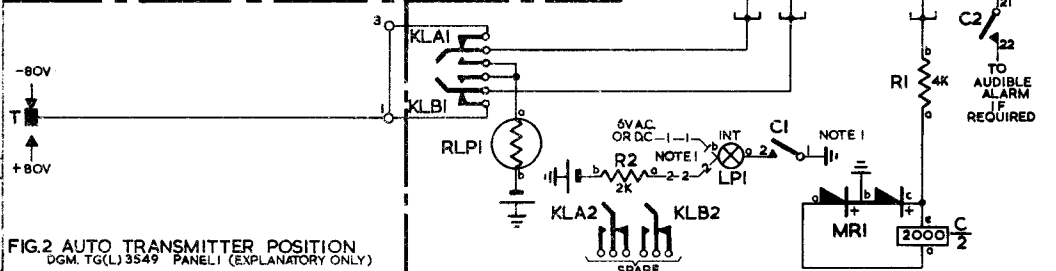


FIG.2 AUTO TRANSMITTER POSITION
 DGM TG(L) 3549 PANEL 1 (EXPLANATORY ONLY)

FIG.3 KEY SWITCHING EQUIPMENT

TG(L) 3022

4 PANELS-2
 SUPERSEDES DGM. TG.3524
 FOR NEW WORK

USING TRANSMITTER, AUTOMATIC No.2D. OR EQUIVALENT
 AND EQUIPT., TABLE TG 995

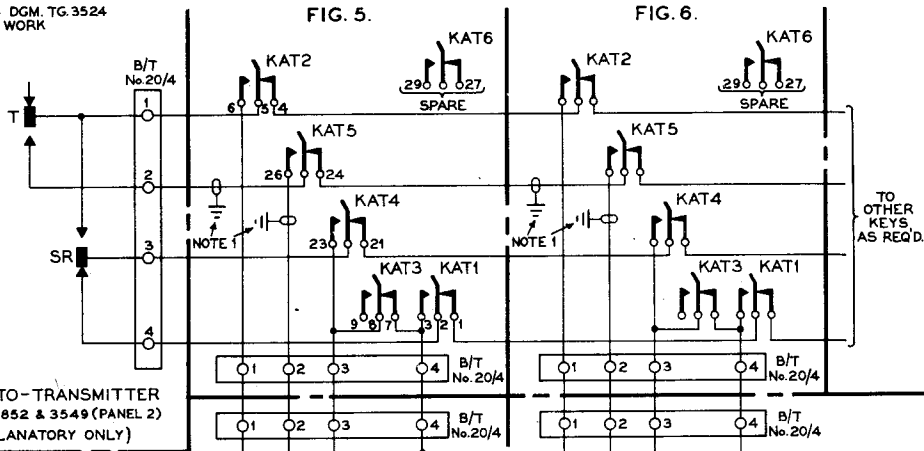


FIG. 4. AUTO-TRANSMITTER
 (DGMS. TG(L)852 & 3549 (PANEL 2)
 (EXPLANATORY ONLY)

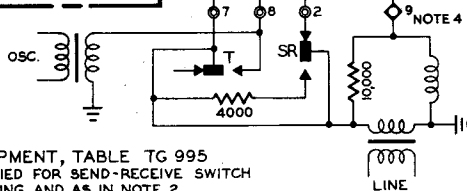


FIG. 7. EQUIPMENT, TABLE TG 995
 MODIFIED FOR SEND-RECEIVE SWITCH
 WORKING AND AS IN NOTE 2.
 (EXPLANATORY ONLY)

TO 2ND. EQUIPT., TABLE TG 995

TO OTHER
 KEYS
 AS REQ'D.

AUTO TRANSMITTER AVAILABLE TO ONE OR MORE TELEPRINTER CIRCUITS BY KEY SWITCHING
 USING TRANSMITTER, AUTOMATIC No.2F OR EQUIVALENT AND EQUIPMENT,
 TABLE DTN 2000

TG(L) 3022
 4 PANELS -3

GENERAL
 SWITCHED TO AUTO LAMP ADDED
 I.F.R. 0.8.54
 2. RESIDUAL PANEL 3 RIBBED PANEL 4 AND PANEL 5. MINOR REVISIONS TO PANELS 4, 5, 6, 7, 8, 9, 10, 11, 12, 13, 14, 15, 16, 17, 18, 19, 20, 21, 22, 23, 24, 25, 26, 27, 28, 29, 30, 31, 32, 33, 34, 35, 36, 37, 38, 39, 40, 41, 42, 43, 44, 45, 46, 47, 48, 49, 50, 51, 52, 53, 54, 55, 56, 57, 58, 59, 60, 61, 62, 63, 64, 65, 66, 67, 68, 69, 70, 71, 72, 73, 74, 75, 76, 77, 78, 79, 80, 81, 82, 83, 84, 85, 86, 87, 88, 89, 90, 91, 92, 93, 94, 95, 96, 97, 98, 99, 100.
 RELAY C. CONNECTIONS REVERSED

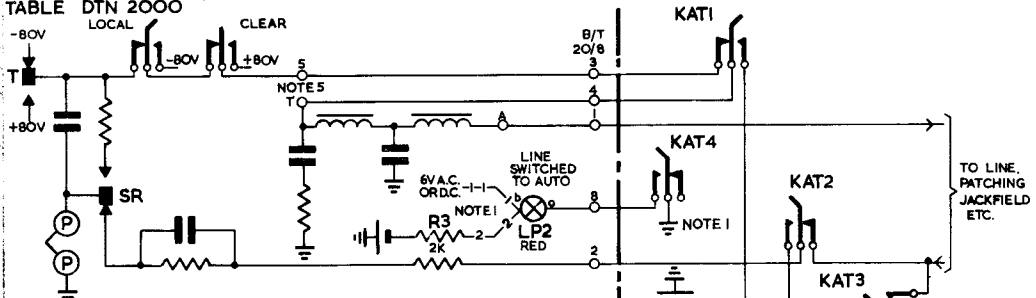


FIG.8 EQUIPMENT, TABLE DTN 2000 (MODIFIED) NOTES 5
 (DGM. TG(L) 3525/3) OR EQUIVALENT WITH ADDITIONAL LAMP WHEN REQUIRED
 (NOTE 4) (EXPLANATORY ONLY)

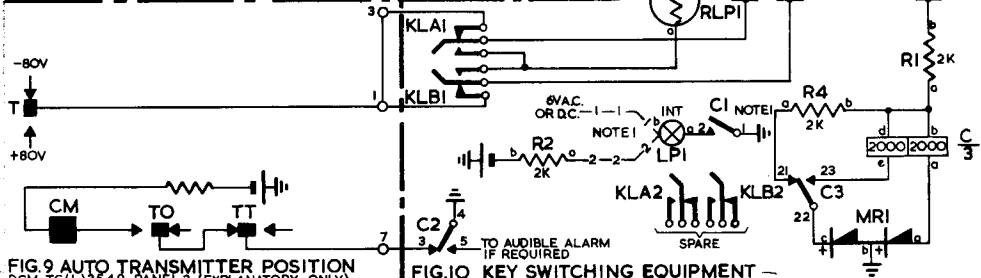


FIG.9 AUTO TRANSMITTER POSITION
 DGM. TG(L) 3549 PANEL 3 (EXPLANATORY ONLY)

FIG.10 KEY SWITCHING EQUIPMENT

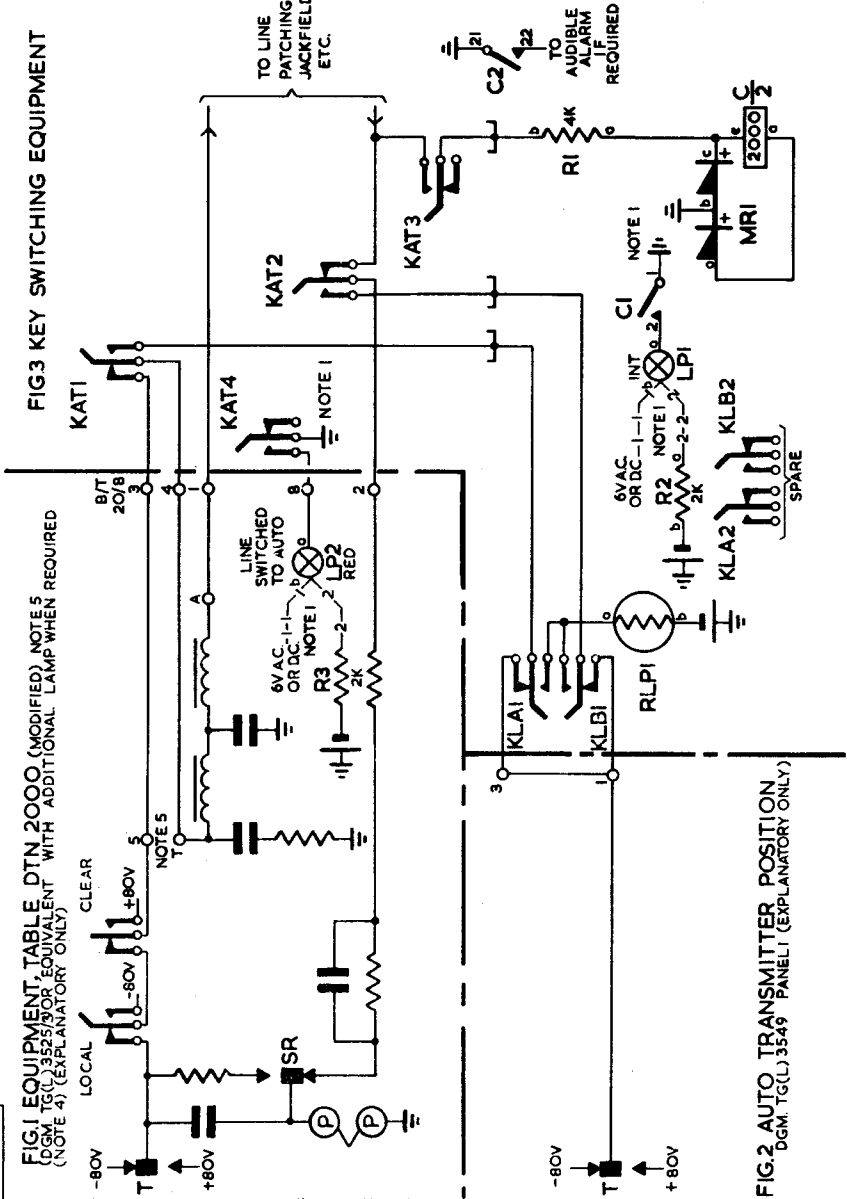
AUTO TRANSMITTER AVAILABLE TO ONE OR MORE TELEPRINTER CIRCUITS BY KEY SWITCHING
 USING TRANSMITTER, AUTOMATIC No.2D OR EQUIVALENT AND EQUIPMENT, TABLE DTN. 2000

TG (L) 3022

PAGE 1-4

ISSUE K

SUPERSEDES DGMS
 TG 3109 & 3513
 FOR NEW WORK



P.O.E.D.
 TG BCH.

PAPER: - W
 CIRCULATION: -
GENERAL

ISSUE			
K	NEW FORMAT		2-3-66
H	RELAY C RECORDED RESISTOR R1 WAS 4 K (PANEL 3)		25-7-62
L	NOTE 3. KEY No. 68 WAS KEY No. 212		12-5-62
	H.E.W.	T.G. 3/9	29-2-44

FIG. 4. AUTO-TRANSMITTER
(DCMS. TG(L)852 & 3549 (PANEL 2)
(EXPLANATORY ONLY)

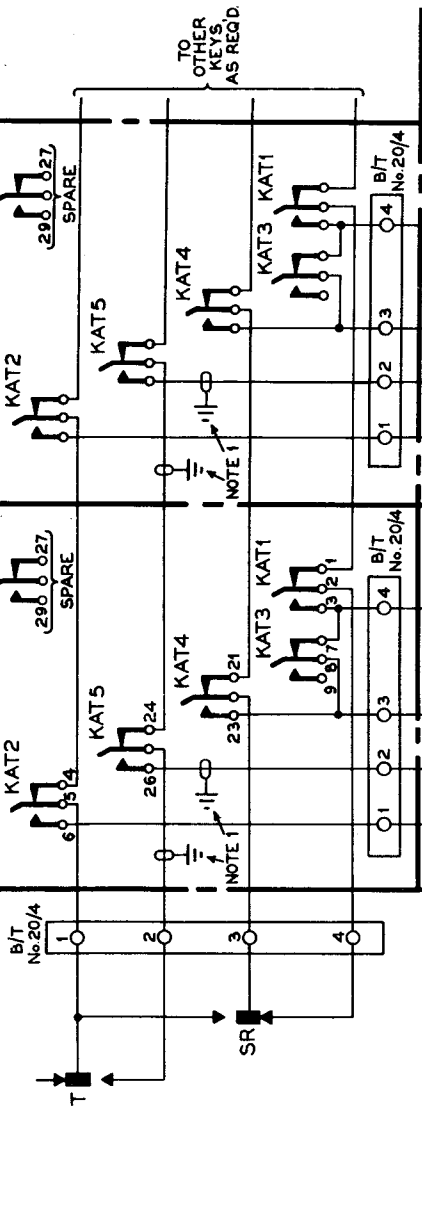


FIG. 5.

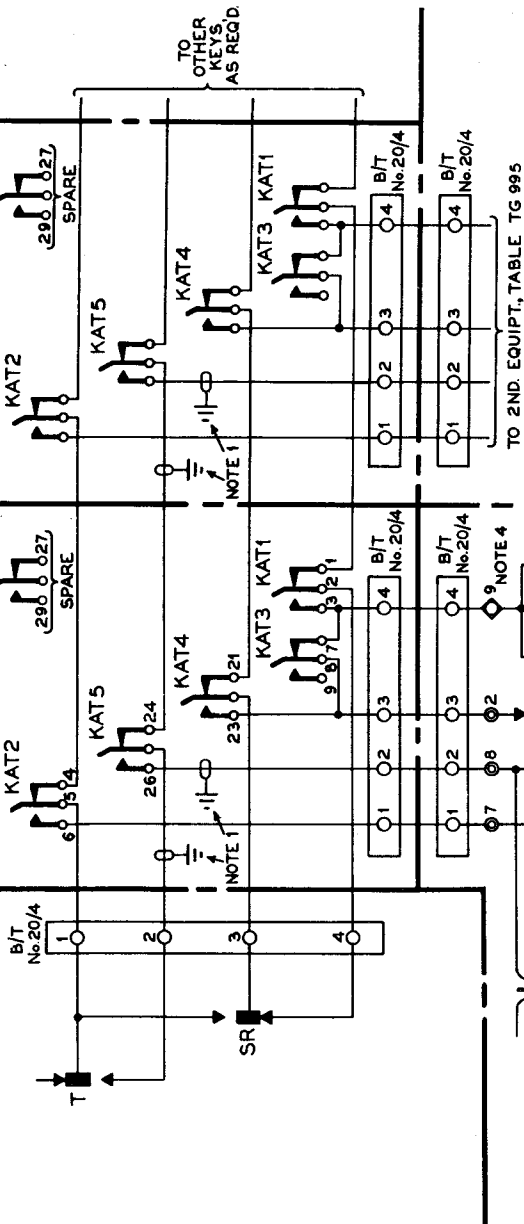


FIG. 6.

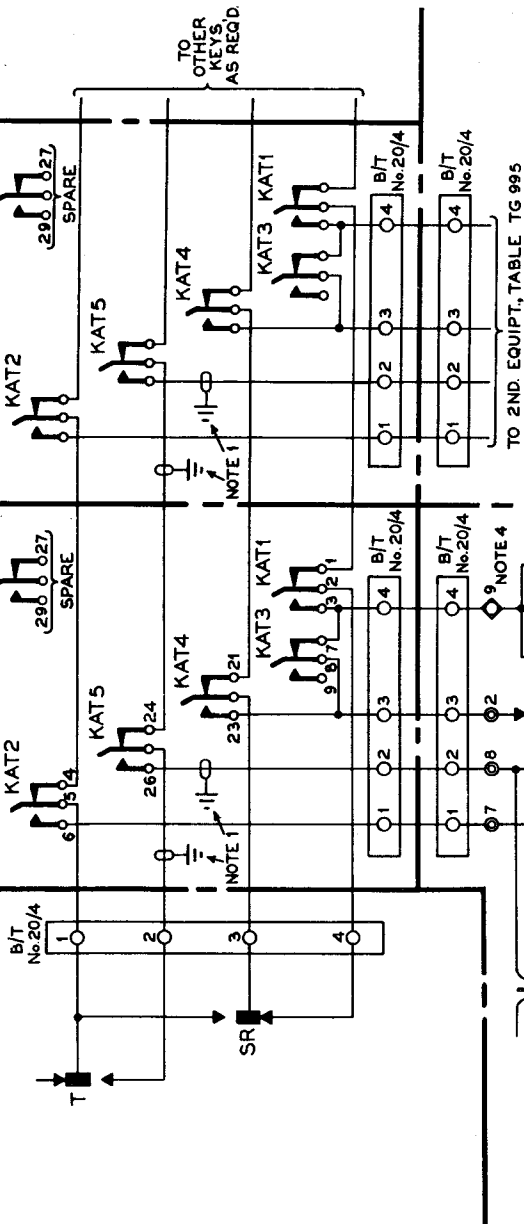


FIG. 7. EQUIPMENT, TABLE TG 995
MODIFIED FOR SEND-RECEIVE SWITCH
WORKING AND AS IN NOTE 2.
(EXPLANATORY ONLY)

FIG.10 KEY SWITCHING EQUIPMENT

FIG.8 EQUIPMENT TABLE DTN 2000 (MODIFIED) NOTES
 (DGM, TG(L) 3525/3), OR EQUIVALENT WITH ADDITIONAL LAMP WHEN REQUIRED
 (NOTE 4) (EXPLANATORY ONLY)

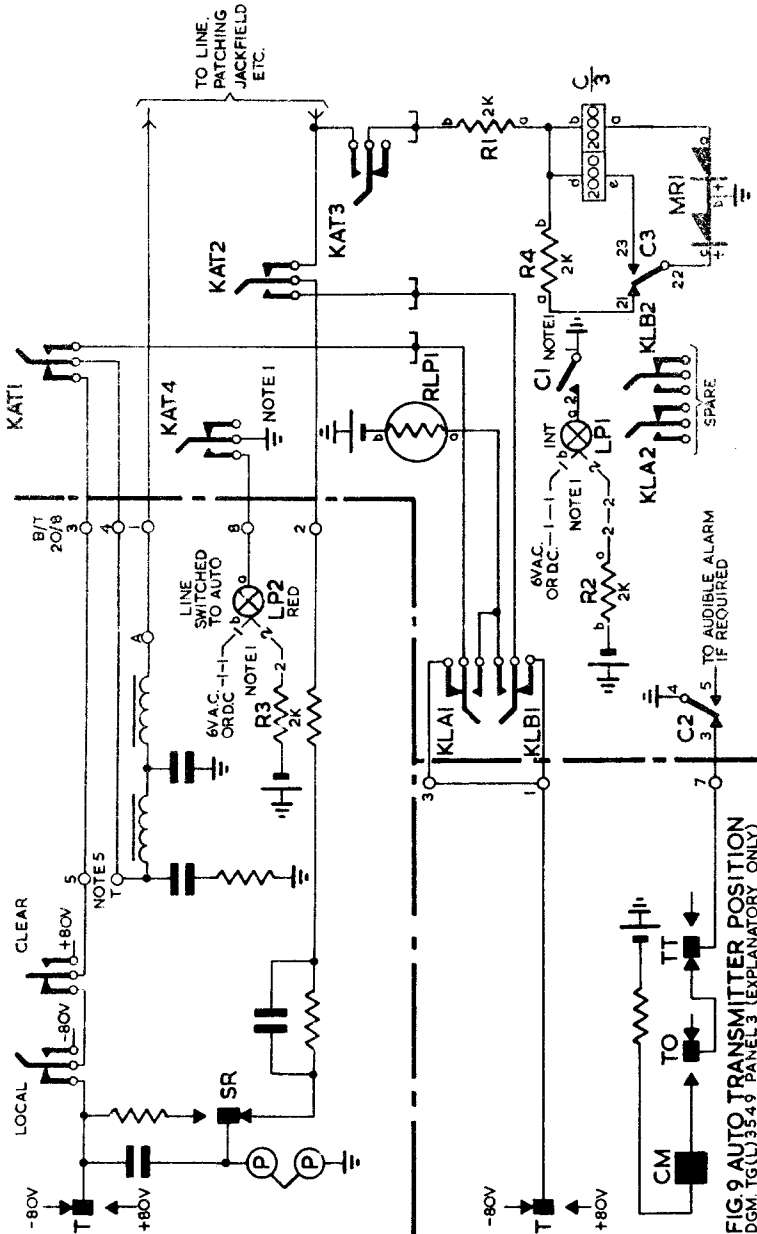
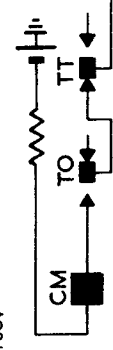


FIG.9 AUTO TRANSMITTER POSITION
 DGM, TG(L) 3549 (PANEL 3) (EXPLANATORY ONLY)



ARRANGEMENT OF KEY KAT (SEE NOTE 4)	
AUTO-TRANSMITTER (KAT)	KEY No.207 OR 73 (SINGLE THROW) OR No.236 OR 198 (DOUBLE THROW)
3 OR 4	

ALTERNATIVE ARRANGEMENTS FOR KEYS KLA & KLB (SEE NOTE 3)	
AUTO-TRANSMITTER IN LOCAL (KLA)	KEY No. 68
2	KEY No. 68
LOCAL-RECORD CUT-OFF (KLB)	KEY No. 68
2	KEY No. 212
AUTO-TRANSMITTER IN LOCAL (KLA), LOCAL RECORD CUT-OFF (KLB)	KEY No. 212
2	

FIG. No.	ITEM	TYPE
	RLP1	RESISTOR, BULB No. 11, 100 Ω
1-10	RL, R4	RESISTOR, COIL No. 12, 2000 Ω
	R2, R3	RESISTOR, COIL No. 9, 2000 Ω
	MRI	RECTIFIER-ELEMENT No. 2/12A
	LPI, LP2	LAMP No. 2/6V
3	C	RELAY No. 9872 (ON EARLIER INSTALLATIONS RELAY No. 4053 WAS USED)
10	C	RELAY No. 14635

AUTO-TRANSMITTER (KAT)	
6	KEY No. 289

NOTES AND KEY DETAILS RELATING TO PAGES 1 & 3

- WHEN 6V LAMP SUPPLY IS AVAILABLE, CONNECT TO THIS SUPPLY. OTHERWISE, CONNECT TO MAINS THROUGH A TRANSFORMER. OTHERWISE, CONNECT TO MAINS THROUGH A TRANSFORMER. OTHERWISE, CONNECT TO MAINS THROUGH A TRANSFORMER. OTHERWISE, CONNECT TO MAINS THROUGH A TRANSFORMER.
- KEY SWITCHING EQUIPMENT TO FIGS. 3 & 10 WILL NORMALLY BE FITTED ON THE AUTO-TRANSMITTER POSITION.
- ALL LINES ARE WIRED VIA KEYS KAT AS FOR THE LINE SHOWN AND COMMONED AT THE POINTS INDICATED KEYS KLA & KLB ARE ONLY FITTED WHEN REQUIRED BY RENTER. WHEN ONLY ONE OF THESE FACILITIES IS REQUIRED USE KEY No. 66.
- SWITCHED TO AUTO LAMP AND KAT4 ARE ONLY PROVIDED WHEN REQUIRED BY RENTER.
- EQUIPMENT TABLE DTN. 2000 TO BE MODIFIED BY DISCONNECTING WIRE BETWEEN TERMINAL 5 OF BASEBOARD No. 27C AND TERMINAL T OF UNIT TG 988 AND CONNECTING TO KEY KAT AS SHOWN.

NOTES AND KEY DETAILS RELATING TO PAGE 2

- THESE LEADS TO HAVE EARTHED SCREEN.
- EQUIPMENT TABLE TG. 995 TO BE MODIFIED AS FOLLOWS:- FIT EXTRA BLOCK, TERMINAL No. 20/4 AND EXTRA WIRING AS SHOWN. DISCONNECT STRAP BETWEEN TAG 2 OF BASEBOARD No. 27 OR No. 27B, AND TAG 9 OF BASEBOARD No. 27A.
- REMOVE COUPLING BAR FROM SWITCH, TUMBLER No. 24 TO TEST AUTO-TRANSMITTER IN LOCAL.
- INDICATES TERMINAL ON JACK No. 52 OF BASEBOARD No. 27 OR 27B.